



# PARTS CATALOG

## US MARINE EH 700TI DIESEL

### SERIAL NUMBER

HINO DIESEL (SEE MERCUISER) .....EH700N, EH700TI (1987 & LATER)

# TABLE OF CONTENTS:

AIR CLEANER - SILENCER FIGURE 1-I7	76
AIR INTAKE AND EXHAUST SYSTEM FIGURE 1-I2	22
ALTERNATOR FIGURE 1-I6	66
ALTERNATOR FIGURE 1-J6	68
CAMSHAFT AND IDLER GEAR FIGURE 1-E2	18
COMPONENT ELECTRICAL PARTS AND MISC. MOUNTING HARDWARE	54
COOLING SYSTEM FIGURE 1-I4	46
CYLINDER BLOCK FIGURE 1-E1	6
CYLINDER BLOCK FIGURE 1-F1	8
CYLINDER HEAD FIGURE 1-A1	2
CYLINDER HEAD FIGURE 1-B1	4
ELECTRICAL COMPONENTS FIGURE 23	90
ENGINE MOUNTS AND BREATHER FIGURE 21	86
ENGINE MOUNTS AND BREATHER FIGURE 22	88
FUEL FILTER FIGURE 1-A4	38
FUEL SEDIMENTER FIGURE 1-E4	42
FUEL SYSTEM FIGURE 1-J3	34
GEAR OIL COOLING SYSTEM (MODELS WITH HURTH M-GEARS ONLY)	80
GEAR OIL COOLING SYSTEM (MODELS WITH TWIN DISK M-GEARS ONLY)	78
HOLDER, NOZZLE FIGURE 1-C4	40
INTERCOOLER ASSEMBLY FIGURE 1-G7	74
LUBRICATING SYSTEM FIGURE 1-A3	26
MAIN MOVING PARTS FIGURE 1-A2	14
OIL FILTER ASSEMBLY FIGURE 1-E3	30
PARTS INDEX	92
PUMP, COOLANT FIGURE 1-A5	50
PUMP, ENGINE LUBRICATING OIL FIGURE 1-H3	32
PUMP, RAW WATER FIGURE 1-C5	52
STARTER MOTOR FIGURE 1-A7	70
THROTTLE AND SHIFT LINKAGE FIGURE 19	82
THROTTLE AND SHIFT LINKAGE FIGURE 20	84
TIMING GEAR COVER AND FLYWHEEL HOUSING FIGURE 1-K1	12
TURBOCHARGER AND MISC COMPONENTS(ENGINE #EH700-T2188)	58
TURBOCHARGER AND MISC. COMPONENTS(ENGINE #EH700-T2189)	62
TURBOCHARGER FIGURE 1-E7	72
VALVE SYSTEM FIGURE 1-G2	20
WATER SEDIMENTER FIGURE 1-G4	44

**NOTE:** Indented description indicate that these parts are included in preceeding assembly.

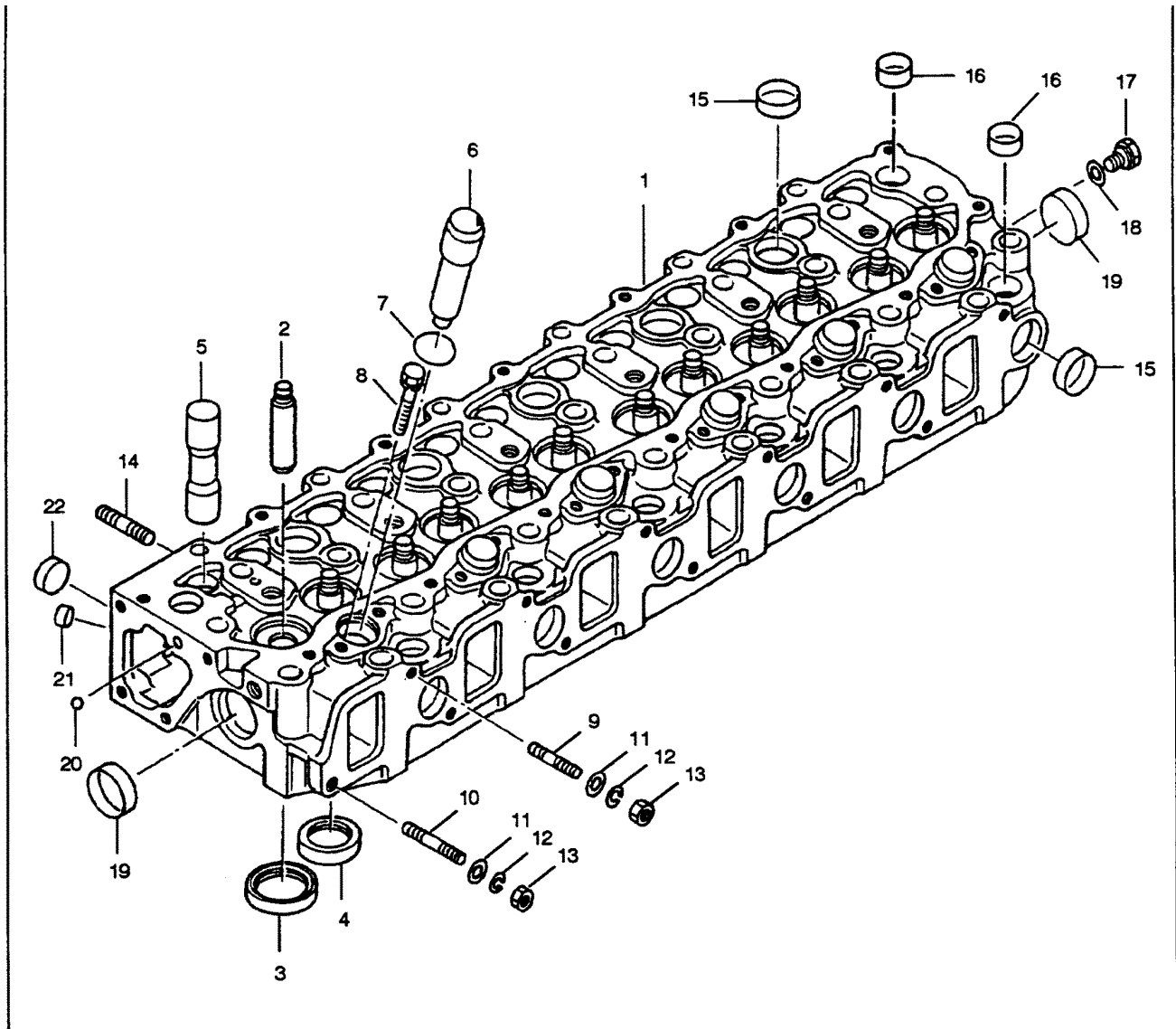
**AR** = As Required  
**OPT** = Optional

**NSS** = Not Sold Separate  
**NS** = Not Shown

**THESE PARTS BOOKS/FICHE CARD ARE COPYRIGHTED AND MAY NOT BE DISTRIBUTED OR REPRODUCED IN ANY OTHER FORMAT BY ANYONE OTHER THAN MERCURY MARINE WITHOUT THE PRIOR WRITTEN CONSENT OF MERCURY MARINE.**

THIS PAGE INTENTIONALLY LEFT BLANK

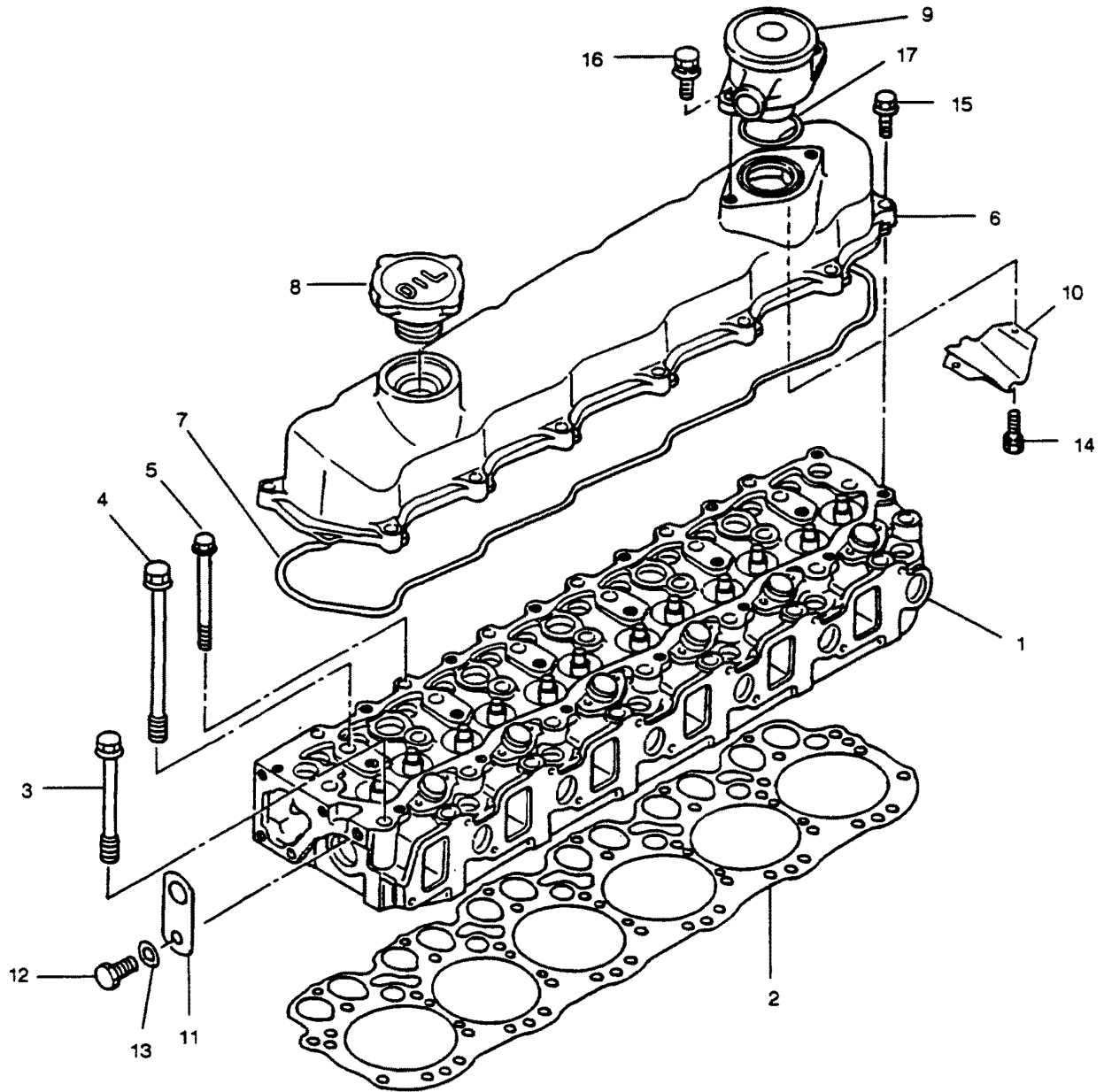
# CYLINDER HEAD FIGURE 1-A1



## CYLINDER HEAD FIGURE 1-A1

REF. NO.	PART NO.	SYM.	QTY.	DESCRIPTION
1	831101511		1	CYLINDER HEAD ASSEMBLY
2	831221200		12	GUIDE, INTAKE & EXHAUST VALVE
3	831311230		6	SEAT, INTAKE VALVE
4	831351240		6	SEAT, EXHAUST VALVE
5	831441110		12	GUIDE, PUSH ROD
6	831761110		6	SEAT, INJECTION NOZZLE
7	830115214		6	GASKET, INJECTION NOZZLE SEAT
8	838908114		12	BOLT, INJECTION HOLD DOWN
9	831108320		11	STUD, UPPER - AIR INLET MANIFOLD
10	831108650		1	STUD, LOWER - AIR INLET MANIFOLD
11	836008140		12	FLATWASHER
12	838008200		12	LOCKWASHER
13	830908106		12	NUT
14	834910120		12	STUD, EXHAUST MANIFOLD
15	833930105		11	PLUG, CORE
16	833924103		8	PLUG, CORE
17	830410110		1	PLUG
18	835410100		1	WASHER, SOFT
19	833936102		2	PLUG, CORE
20	830004060		1	BALL, STEEL
21	833914101		5	PLUG, CORE
22	833922105		11	PLUG, CORE

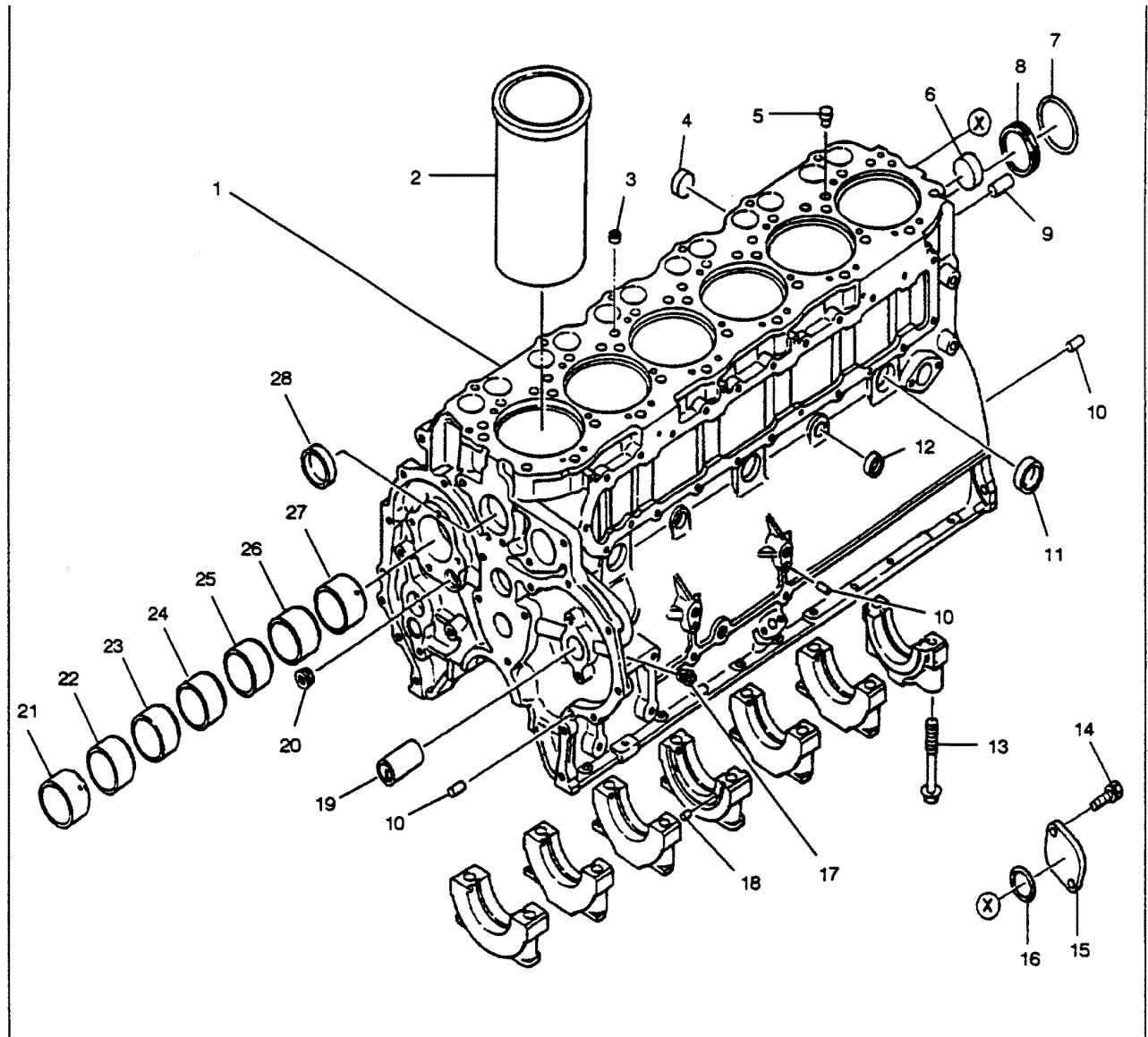
# CYLINDER HEAD FIGURE 1-B1



## CYLINDER HEAD FIGURE 1-B1

REF. NO.	PART NO.	SYM.	QTY.	DESCRIPTION
1	831101511		1	CYLINDER HEAD ASSEMBLY, LESS VALVES
2	831151122		1	GASKET, CYLINDER HEAD
3	831851170		20	BOLT, CYLINDER HEAD
4	831851180		6	BOLT, CYLINDER HEAD
5	831851160		6	BOLT, CYLINDER HEAD
6	832111990		1	COVER, CYLINDER HEAD
7	832131080		1	GASKET, CYLINDER HEAD COVER
8	831811140		1	CAP, OIL FILLER
9	832101112		1	BREATHER, CRANKCASE ASSEMBLY
10	832381020		1	BAFFLE, CRANKCASE BREATHER
11	832811031		1	HANGER, ENGINE
12	832912175		1	BOLT, ENGINE HANGER
13	838012300		1	LOCKWASHER, ENGINE HANGER BOLT
14	838106120		2	BOLT, BAFFLE CRANKCASE BREATHER
15	839108351		14	BOLT, CYLINDER HEAD COVER
16	831010251		2	BOLT, CRANKCASE BREATHER
17	835154102		1	O-RING, CRANKCASE BREATHER

# CYLINDER BLOCK FIGURE 1-E1

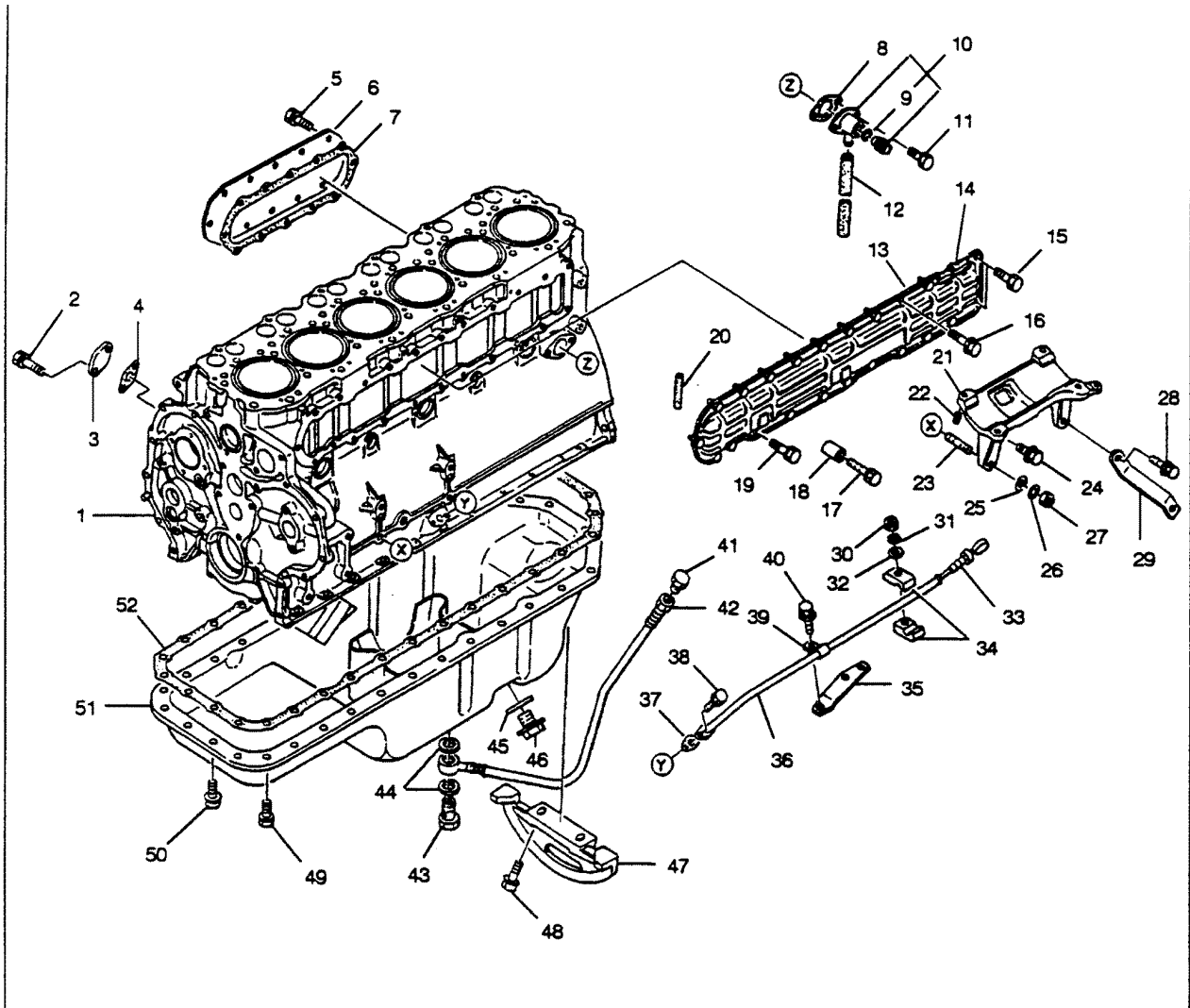




# CYLINDER BLOCK FIGURE 1-E1

REF. NO.	PART NO.	SYM.	QTY.	DESCRIPTION
1	834103900		1	CYLINDER BLOCK ASSEMBLY
2	834671200		6	LINER, CYLINDER - FLANGE DES. W
-	<b>834671210</b>		<b>6</b>	<b>LINER, CYLINDER - FLANGE DES. X</b>
-	<b>834671220</b>		<b>6</b>	<b>LINER, CYLINDER - FLANGE DES. Y</b>
-	<b>834671230</b>		<b>6</b>	<b>LINER, CYLINDER - FLANGE DES. Z</b>
3	833914101		4	PLUG
4	833928103		4	PLUG, CORE
5	830914103		2	PIN
6	833940104		1	PLUG, CORE
7	835160102		1	O-RING, SEAL PLATE
8	834391011		1	PLATE, SEAL
9	830912103		2	PIN
10	830408200		6	PIN, STRAIGHT
11	833936102		4	PLUG, CORE
12	833920101		2	PLUG, CORE
13	835211180		14	BOLT, MAIN BEARING CAP
14	830110160		2	BOLT, FLANGE
15	834999997		1	FLANGE
16	834403131		1	O-RING, FLANGE
17	832210080		1	PLUG
18	830404080		4	PIN, THRUST BEARING
19	838821010		1	BEARING, DRIVE SHAFT
20	834999987		2	PLUG
21	838121051		1	BEARING, CAMSHAFT NO. 1
22	838221110		1	BEARING, CAMSHAFT NO. 2
23	838321080		1	BEARING, CAMSHAFT NO. 3
24	838421080		1	BEARING, CAMSHAFT NO. 4
25	838521060		1	BEARING, CAMSHAFT NO. 5
26	838621040		1	BEARING, CAMSHAFT NO. 6
27	838721030		1	BEARING, CAMSHAFT NO. 7
28	833950103		2	PLUG, CORE

# CYLINDER BLOCK FIGURE 1-F1



## CYLINDER BLOCK FIGURE 1-F1

REF. NO.	PART NO.	SYM.	QTY.	DESCRIPTION
1	834103900		1	CYLINDER BLOCK
2	838108200		2	BOLT, FLANGE
3	830211159		1	FLANGE
4	830115219		1	GASKET, FLANGE
5	838108160		12	BOLT, PUSH ROD COVER
6	832511231		1	COVER, PUSH ROD
7	832531280		1	GASKET, PUSH ROD COVER
8	830115216		1	GASKET, COOLANT DRAIN PETCOCK
9	835113103		1	O-RING, COOLANT DRAIN PETCOCK
10	831801071		1	PETCOCK, COOLANT DRAIN
11	838108200		2	BOLT, COOLANT DRAIN PETCOCK
12	830234121		1	NOSE, COOLANT DRAIN PETCOCK
13	832071040		1	COVER, WATER GALLERY
14	832671030		1	GASKET, WATER GALLERY COVER
15	838108250		3	BOLT, WATER GALLERY COVER
16	839108252		1	BOLT, WATER GALLERY COVER
17	838108500		2	BOLT, WATER GALLERY COVER
18	830116160		2	SPACER, WATER GALLERY COVER BOLT
19	838108200		17	BOLT, WATER GALLERY COVER
20	832671010		1	GASKET, WATER GALLERY COVER
21	834091010		1	BRACKET, INJECTION PUMP MOUNTING
22	830113120		4	HELICOIL, INJECTION PUMP MOUNTING BRACKET
23	834110250		2	STUD, INJECTION PUMP MOUNTING BRACKET
24	831110301		1	BOLT, INJECTION PUMP MOUNTING BRACKET
25	836010180		2	WASHER
26	838010250		2	LOCKWASHER
27	830010080		2	NUT
28	831110402		1	BOLT, CLIP HOLDER
29	834922560		1	HOLDER, CLIP
30	830108070		1	NUT
31	838008200		1	LOCKWASHER
32	836008180		1	FLATWASHER
33	833013980		1	GAUGE, OIL LEVEL
34	839042180		1	CLIP
35	834914480		1	BRACKET, OIL GAUGE PIPE
36	831412270		1	GUIDE, OIL LEVEL GAUGE
37	830115218		1	GASKET, OIL LEVEL GAUGE GUIDE
38	838106250		2	BOLT, OIL LEVEL GAUGE GUIDE TUBE
39	839041300		1	CLIP, OIL LEVEL GAUGE GUIDER TUBE
40	839108162		1	BOLT, CLIP OIL LEVEL GAUGE GUIDE TUBE
41	832917111		1	PLUG, OIL WITHDRAWAL HOSE
42	834611650		1	HOSE, OIL WITHDRAWAL
43	830124297		1	BOLT, OIL WITHDRAWAL HOSE

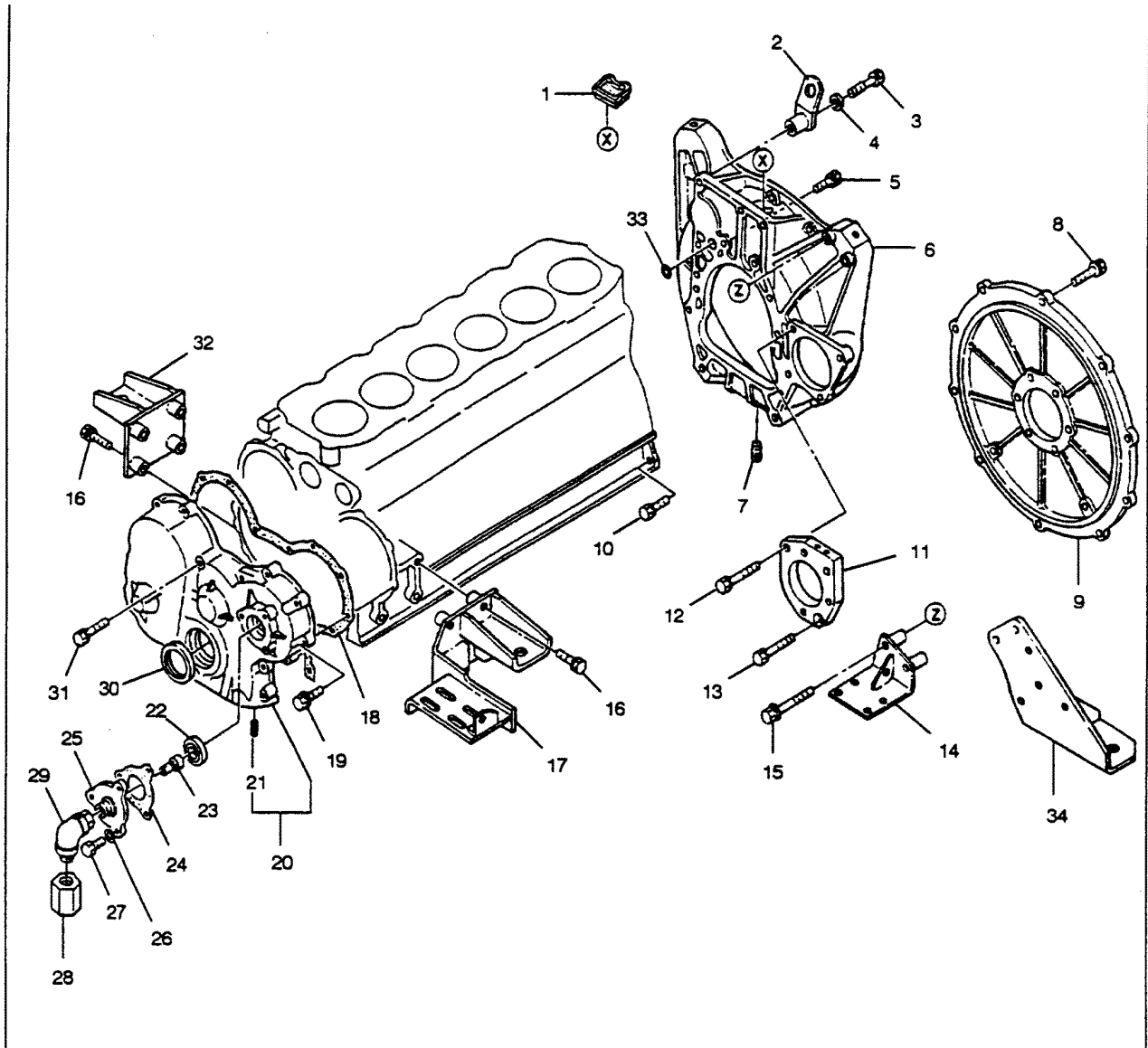
CONTINUED ON NEXT PAGE ➡



## CYLINDER BLOCK FIGURE 1-F1

REF. NO.	PART NO.	SYM.	QTY.	DESCRIPTION
44	835422150		2	WASHER, SOFT WITHDRAWAL HOSE
45	835918111		1	WASHER, SOFT - OIL PAN PLUG
46	830918104		1	PLUG, OIL PAN
47	833061012		1	COVER, FLYWHEEL HOUSING DUST
48	839108352		2	BOLT, FLYWHEEL HOUSING DUST
49	838108200		245	BOLT, OIL PAN
50	839108202		6	BOLT, OIL PAN
51	831011782		1	PAN, OIL
52	831512081		1	GASKET, OIL PAN

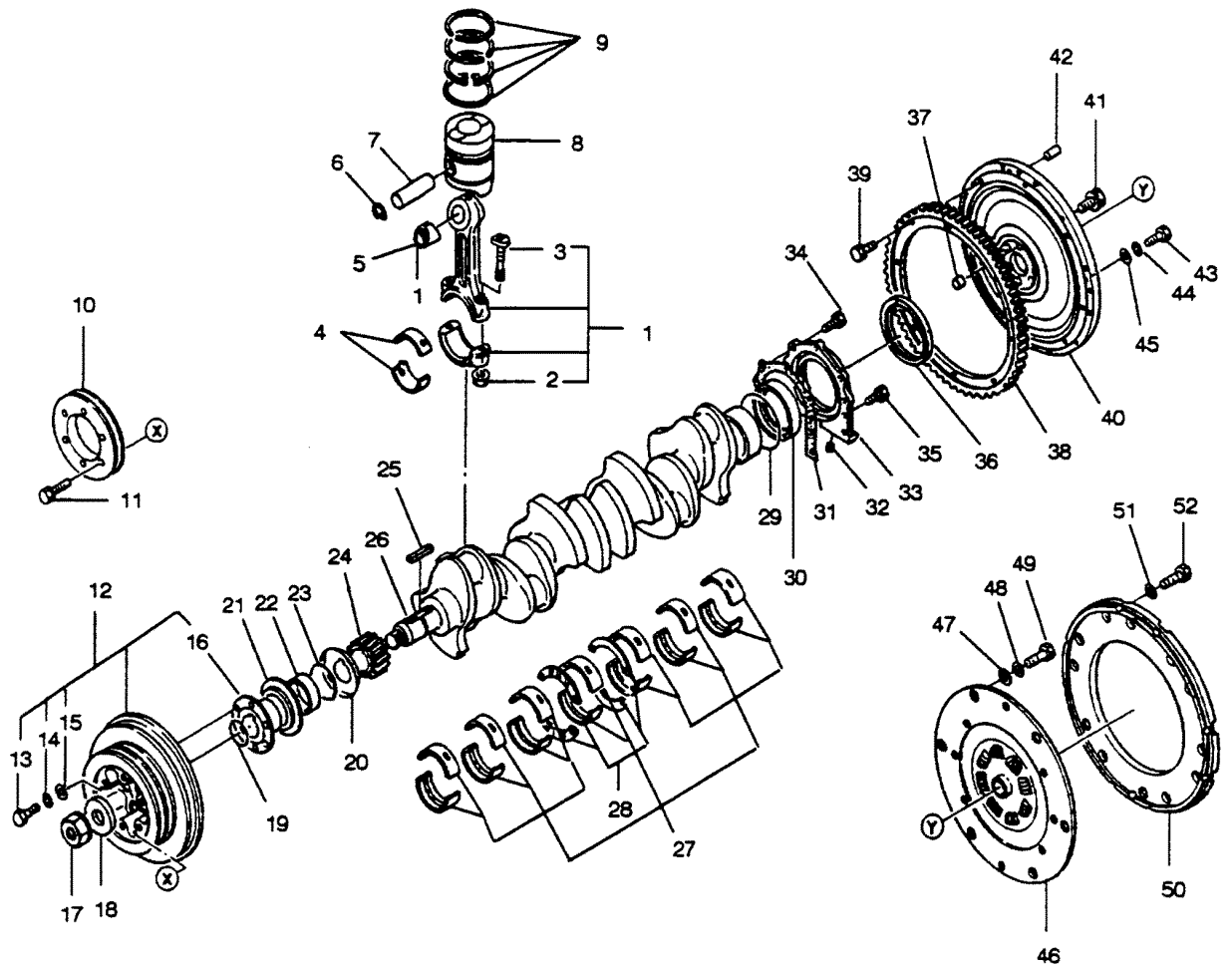
# TIMING GEAR COVER AND FLYWHEEL HOUSING FIGURE 1-K1



# TIMING GEAR COVER AND FLYWHEEL HOUSING FIGURE 1-K1

REF. NO.	PART NO.	SYM.	QTY.	DESCRIPTION
1	833611170		1	COVER, FLYWHEEL HOUSING DUST
2	832031020		2	HANGER, ENGINE
3	830912123		2	BOLT, ENGINE HANGER
4	830116279		2	SPACER, BOLT, ENGINE HANGER
5	831110403		6	BOLT, FLYWHEEL HOUSING TO ENGINE BLOCK
6	833511430		1	FLYWHEEL HOUSING
7	832210080		1	PLUG
8	831110451		10	BOLT, FLYWHEEL HOUSING TO ADAPTOR
9	833513490		1	ADAPTOR, MARINE-GEAR TO FLYWHEEL HOUSING
10	830912116		2	BOLT, FLYWHEEL HOUSING TO ENGINE BLOCK
11	830116335		1	SPACER, STARTER TO FLYWHEEL HOUSING
12	830112400		2	BOLT, STARTER TO FLYWHEEL HOUSING
13	830112250		1	BOLT, STARTER TO FLYWHEEL HOUSING
14	836011121		1	BRACKET, STOP SOLENOID MOUNTING
15	831110602		2	BOLT, STOP SOLENOID MOUNTING
16	831912438		8	BOLT, ENGINE MOUNT
17	833021282		1	BRACKET, ENGINE MOUNT AND RAW WATER PUMP
18	833291100		1	GASKET, TIMING GEAR COVER
19	839108401		11	BOLT, TIMING GEAR COVER
20	833201150		1	COVER, TIMING GEAR
21	830113120		6	HELICOIL, TIMING GEAR COVER
22	832820111		1	SEAL, TACH DRIVE SHAFT
23	836191020		1	SHAFT, TACH DRIVE
24	830115141		1	GASKET, TACH DRIVE COVER
25	836451030		1	COVER, TACH DRIVE
26	838008200		3	LOCKWASHER
27	831108200		3	BOLT
28	836941121		1	ADAPTOR, TACH GEN.
29	836401020		1	TACH DRIVE
-	<b>836401070</b>		<b>1</b>	<b>TACH DRIVE</b>
30	832865116		1	SEAL, TIMING GEAR COVER
31	839108601		1	BOLT, TIMING GEAR COVER
32	833011350		1	BRACKET, RIGHT HAND FRONT ENGINE MOUNT
33	835123107		1	O-RING
34	833031332		1	BRACKET, R.R. ENGINE MOUNT
-	<b>833041220</b>		<b>1</b>	<b>BRACKET, L.H.R. ENGINE MOUNT</b>

# MAIN MOVING PARTS FIGURE 1-A2



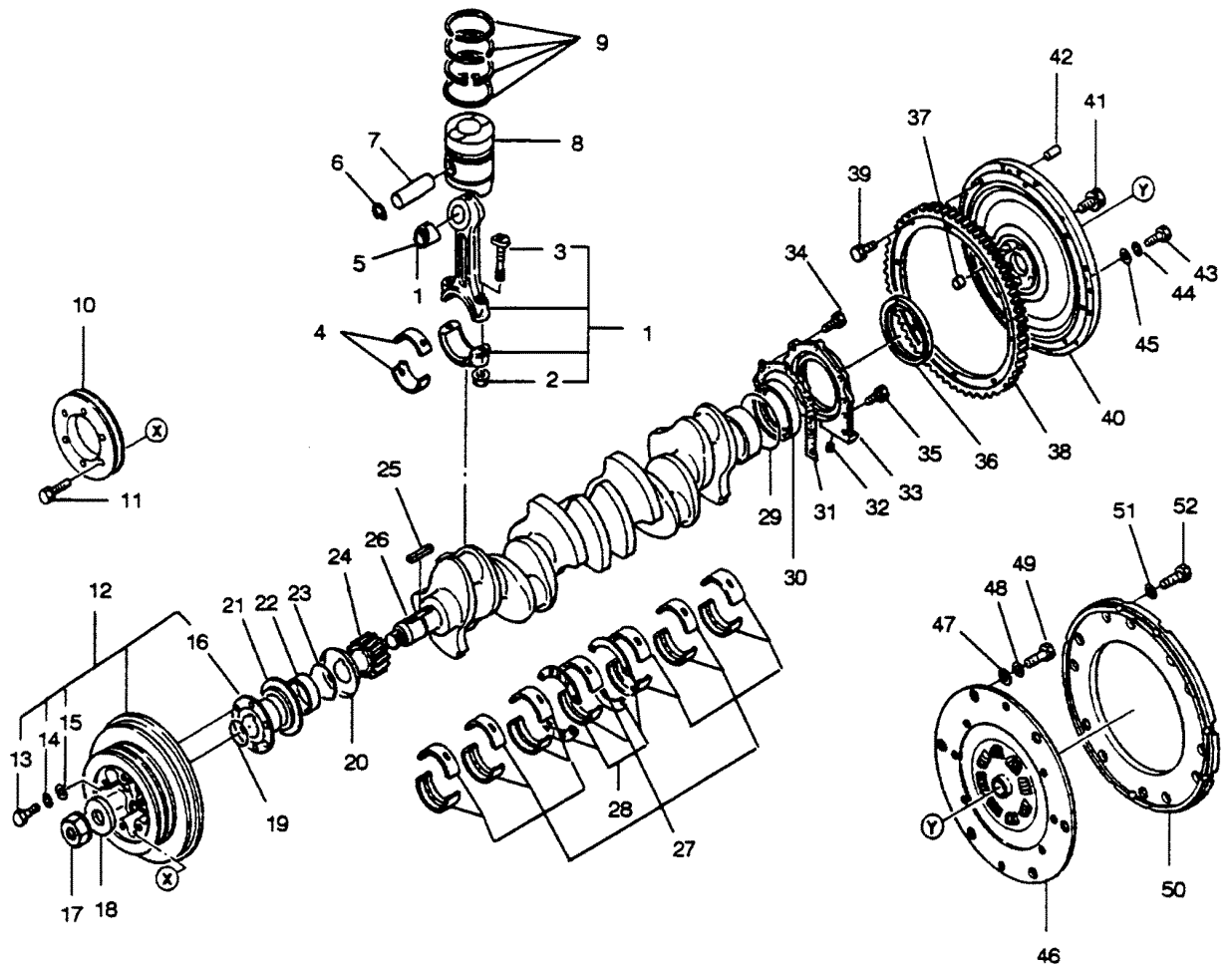


## MAIN MOVING PARTS FIGURE 1-A2

REF. NO.	PART NO.	SYM.	QTY.	DESCRIPTION
1	832601340		6	ROD ASSEMBLY, CONNECTING
2	832661090		12	NUT, CONNECTING ROD BOLT
3	832651291		12	BOLT, CONNECTING ROD
4	832011261		61	SET, CONNECTING ROD BEARINGS, STD. SERVICES ALL CONNECTING RODS
-	<b>832031321</b>		1	<b>SET, CONNECTING ROD BEARINGS, O.S. .010 SERVICES ALL CONNECTING RODS</b>
-	<b>832041301</b>		1	<b>SET, CONNECTING ROD BEARINGS, O.S. .020 SERVICES ALL CONNECTING RODS</b>
-	<b>832051311</b>		1	<b>SET, CONNECTING ROD BEARINGS, O.S. .030 SERVICES ALL CONNECTING RODS</b>
-	<b>832061291</b>		1	<b>SET, CONNECTING ROD BEARINGS, O.S. .040 SERVICES ALL CONNECTING RODS</b>
5	832721270		1	BUSHING, CONNECTING ROD TO PISTON PIN
6	831939101		12	RING, RETAINER, PISTON PIN TO PISTON PIN
7	832511150		6	PIN, PISTON
8	832161390		6	PISTON
9	830112070		1	SET, PISTON RINGS - SERVICES 6 PISTONS
-	<b>830112090</b>		1	<b>SET, PISTON RINGS - SERVICES 6 PISTONS</b>
10	834712960		1	CRANKSHAFT PULLEY, OPTIONAL
11	831110451		6	BOLT, CRANK PULLEY
12	834702610		1	PULLEY, CRANKSHAFT ASSEMBLY CONTAINS *
13	831110300		6	BOLT, CRANK PULLEY TO HUB
14	839010300		6	LOCKWASHER, PULLEY TO HUB
15	836010220		6	WASHER, PULLEY TO HUB
16	834721061		1	HUB, CRANK PULLEY
17	830927103		1	NUT, CRANK PULLEY RETAINER
18	830116148		1	SPACER, CRANK PULLEY RETAINER
19	835139103		1	O-RING, CRANK PULLEY
20	834351030		1	SLINGER, CRANK OIL
21	834741030		1	SLINGER, CRANK PULLEY
22	834371090		0	SLEEVE
23	835160101		1	O-RING
24	835211040		1	GEAR, CRANKSHAFT
25	833110550		1	KEY, CRANKSHAFT GEAR AND PULLEY
26	834111291		1	CRANKSHAFT
27	837011271		1	SET, BEARINGS, CRANKSHAFT MAIN - STD.
-	<b>837031441</b>		1	<b>SET, BEARINGS, CRANKSHAFT MAIN - .010 O.S.</b>
-	<b>837041271</b>		1	<b>SET, BEARINGS, CRANKSHAFT MAIN - .020 O.S.</b>
-	<b>837051271</b>		1	<b>SET, BEARINGS, CRANKSHAFT MAIN - .030 O.S.</b>
-	<b>837061271</b>		1	<b>SET, BEARINGS, CRANKSHAFT MAIN - .040 O.S.</b>
28	830111110		1	SET, BEARINGS, CRANKSHAFT THRUST - STD.
-	<b>830121110</b>		1	<b>SET, BEARINGS, CRANKSHAFT THRUST - .010 O.S.</b>
29	835100104		1	O-RING, CRANKSHAFT SLEEVE

CONTINUED ON NEXT PAGE ➡

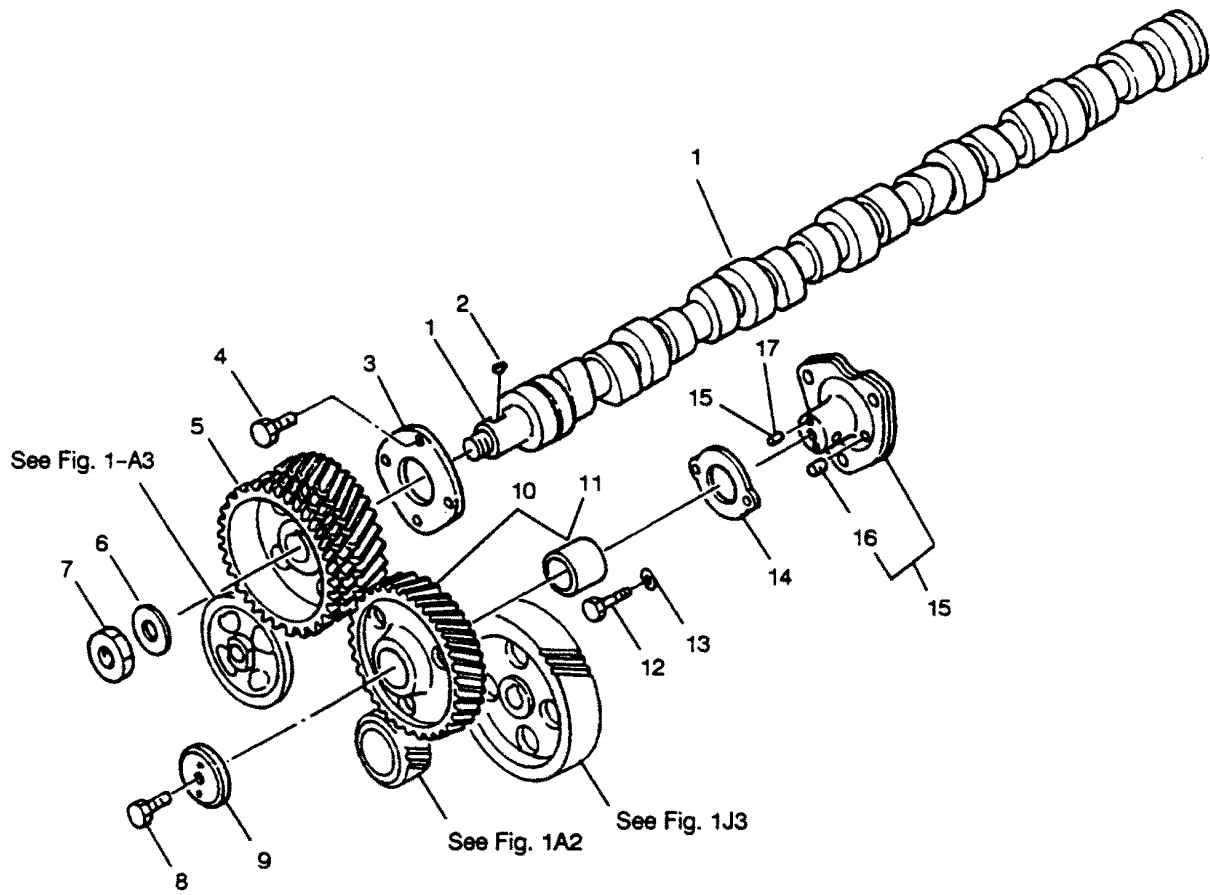
# MAIN MOVING PARTS FIGURE 1-A2



## MAIN MOVING PARTS FIGURE 1-A2

REF. NO.	PART NO.	SYM.	QTY.	DESCRIPTION
30	834371130		1	SLEEVE, CRANKSHAFT REAR
31	833831150		1	GASKET, REAR CRANKSHAFT SEAL RETAINER
32	830113120		2	HELICOIL, REAR CRANKSHAFT SEAL RETAINER
33	833801040		1	RETAINER, REAR OIL SEAL - CONTAINS #32
34	839108301		5	BOLT, REAR OIL SEAL RETAINER TO BLOCK
35	839108351		2	BOLT, REAR OIL SEAL RETAINER TO BLOCK
36	832801167		1	OIL SEAL, REAR CRANKSHAFT
37	830129119		2	COLLAR, FLYWHEEL ALIGNMENT
38	834531340		1	RING GEAR, FLYWHEEL
39	838908117		8	BOLT, FLYWHEEL RING GEAR INNER
40	834512832		1	FLYWHEEL
41	834551100		6	BOLT, FLYWHEEL TO CRANKSHAFT
42	830410240		2	PIN, STRAIGHT
43	832110200		8	BOLT, RING GEAR TO FLYWHEEL OUTER
44	838010250		8	LOCKWASHER, RING GEAR TO FLYWHEEL OUTER
45	836010220		8	FLATWASHER, RING GEAR TO FLYWHEEL OUTER
46	832503100		1	DRIVE, TOR.
47	836010180		6	FLATWASHER, TOR. DRIVE
48	838010250		6	LOCKWASHER, TOR. DRIVE
49	832910241		6	BOLT, TOR. DRIVE
50	830116343		1	SPACER, TOR. DRIVE
51	838010250		8	LOCKWASHER, TOR. DRIVE
52	832910112		8	BOLT, SPACER TOR. DRIVE

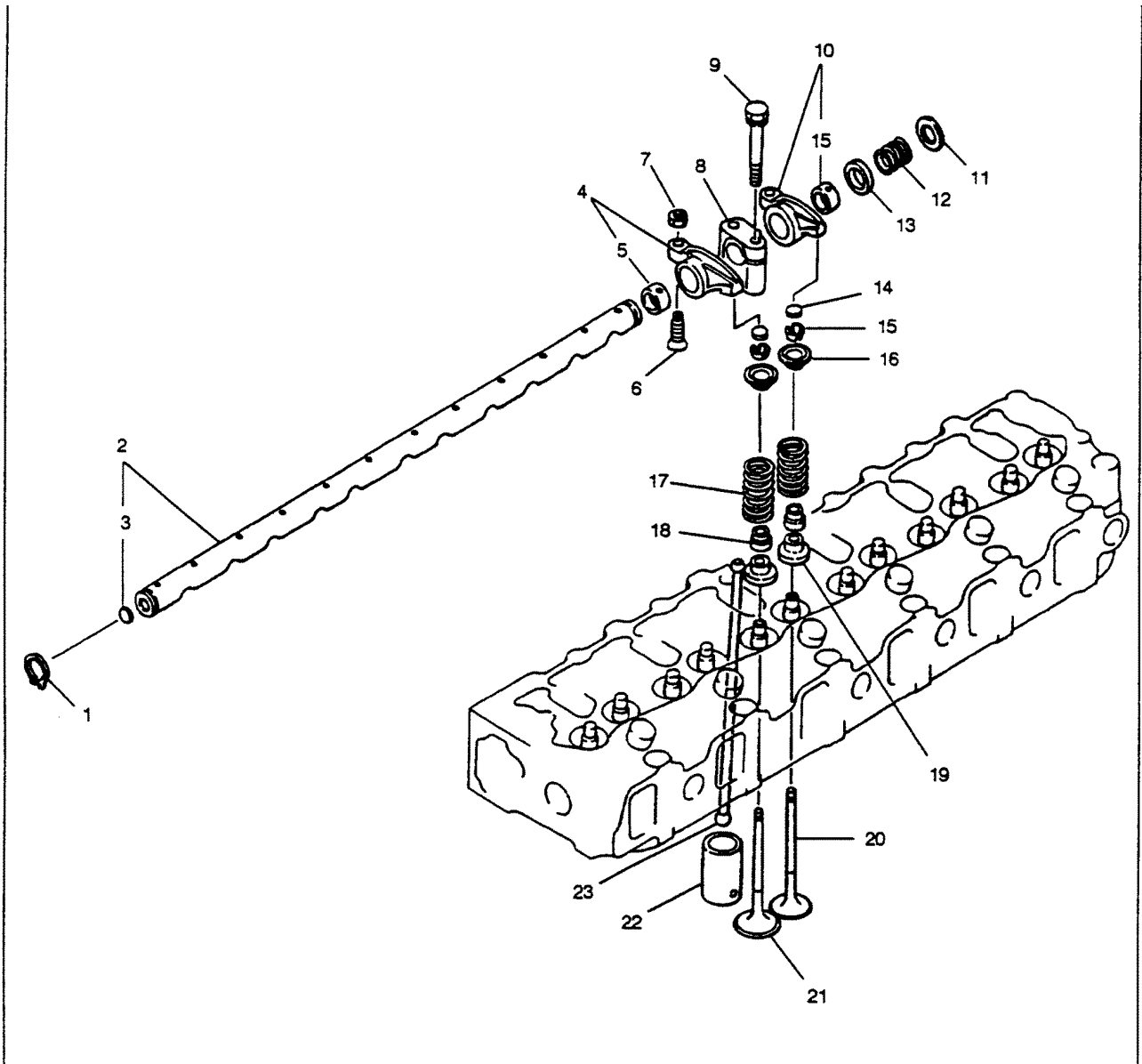
# CAMSHAFT AND IDLER GEAR FIGURE 1-E2



## CAMSHAFT AND IDLER GEAR FIGURE 1-E2

REF. NO.	PART NO.	SYM.	QTY.	DESCRIPTION
1	835111430		1	CAMSHAFT
2	833407220		1	KEY, CAMSHAFT TO GEAR
3	835711180		1	PLATE, CAMSHAFT THRUST FRONT
4	831908202		4	BOLT, CAMSHAFT THRUST PLATE
5	835231031		1	GEAR, CAMSHAFT TIMING
6	830129176		1	COLLAR, CAMSHAFT GEAR NUT
7	834999988		1	NUT, CAMSHAFT GEAR
8	830124137		1	BOLT, IDLER RETAINER
9	835721021		1	PLATE, IDLER GEAR THRUST
10	835051200		1	IDLER GEAR ASSEMBLY - CONTAINS #11
11	836734103		1	BUSHING, IDLER GEAR
12	830124138		3	BOLT, IDLER SHAFT
13	838010250		3	LOCKWASHER, IDLER SHAFT BOLT
14	835721050		1	PLATE, IDLER GEAR THRUST BACK
15	835801260		1	SHAFT ASSEMBLY, IDLER GEAR - CONTAINS #16, 17
16	830904105		2	PIN, IDLER SHAFT
17	830404100		2	PIN, STRAIGHT - IDLER SHAFT

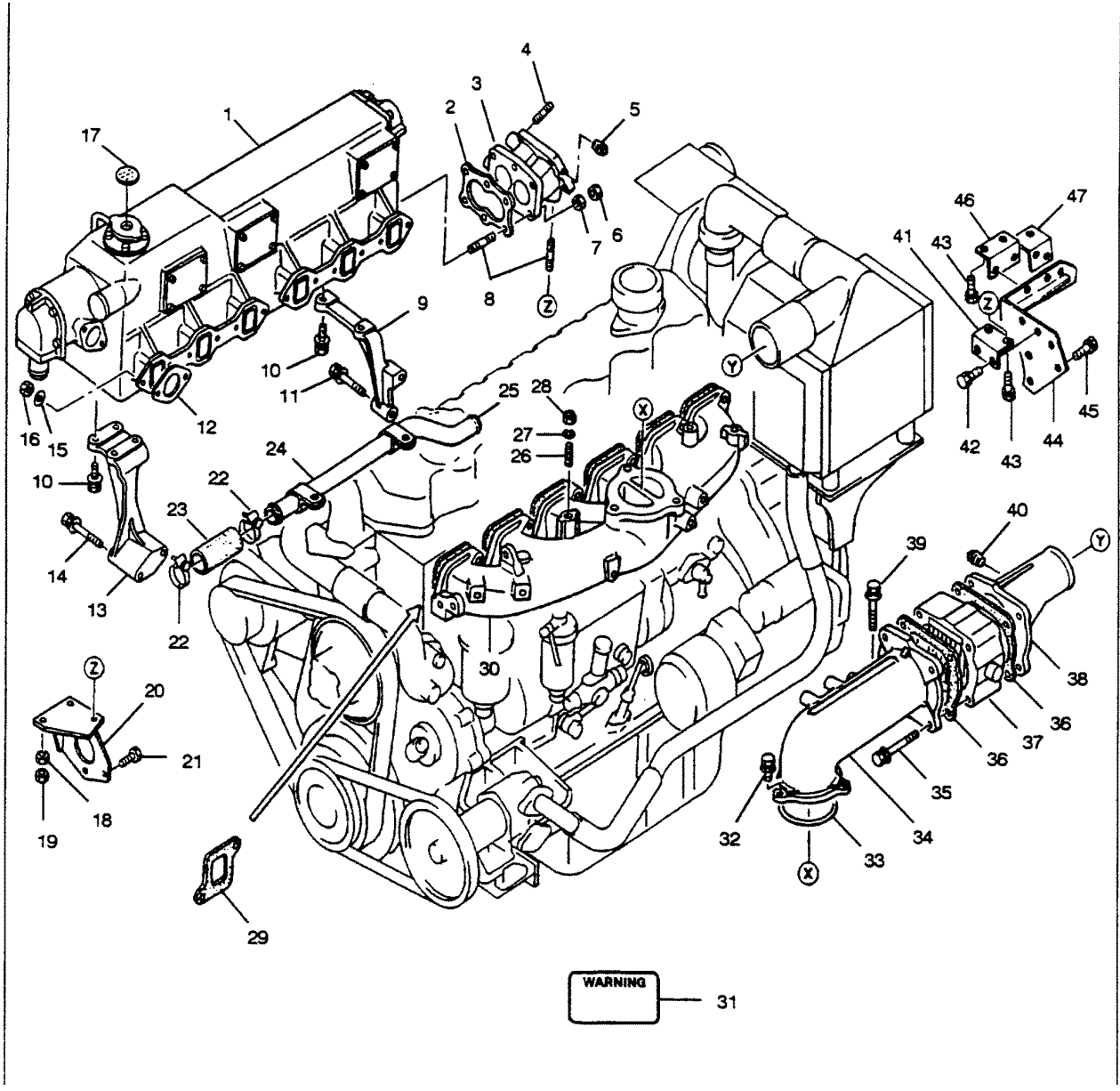
# VALVE SYSTEM FIGURE 1-G2



## VALVE SYSTEM FIGURE 1-G2

REF. NO.	PART NO.	SYM.	QTY.	DESCRIPTION
1	831924102		2	RING, RETAINER
2	839011210		1	SHAFT, ROCKER ARM - CONTAINS #3
3	833016140		2	PLUG, ROCKER ARM
4	838301440		6	ARM ASSEMBLY, ROCKER - CONTAINS #5
5	838311032		12	BUSHING, ROCKER ARM
6	837871100		12	SCREW, VALVE ADJUSTING
7	831910107		12	NUT, VALVE ADJUSTING SCREW LOCK
8	839511650		6	SUPPORT, ROCKER ARM SHAFT
9	830124158		6	BOLT, ROCKER ARM SHAFT SUPPORT
10	838401300		6	ARM, ROCKER ASSEMBLY EXHAUST - CONTAINS #5
11	836924109		11	WASHER, SPRING COMPRESSION
12	837102114		5	SPRING, COMPRESSION
13	830116156		1	SPACER, COMPRESSION
14	837391030		12	CAP, VALVE STEM
15	830126105		24	LOCK, VALVE SPRING RETAINER
16	837351290		12	RETAINER, VALVE SPRING
17	837311360		12	SPRING, VALVE
18	837191020		12	SEAL, VALVE STEM
19	837341160		12	SEAT, LOWER VALVE SPRING
20	837151201		6	VALVE, EXHAUST
21	837111470		6	VALVE, INTAKE
22	837511340		12	LIFTER, VALVE
23	837811310		12	ROD, PUSH

# AIR INTAKE AND EXHAUST SYSTEM FIGURE 1-12



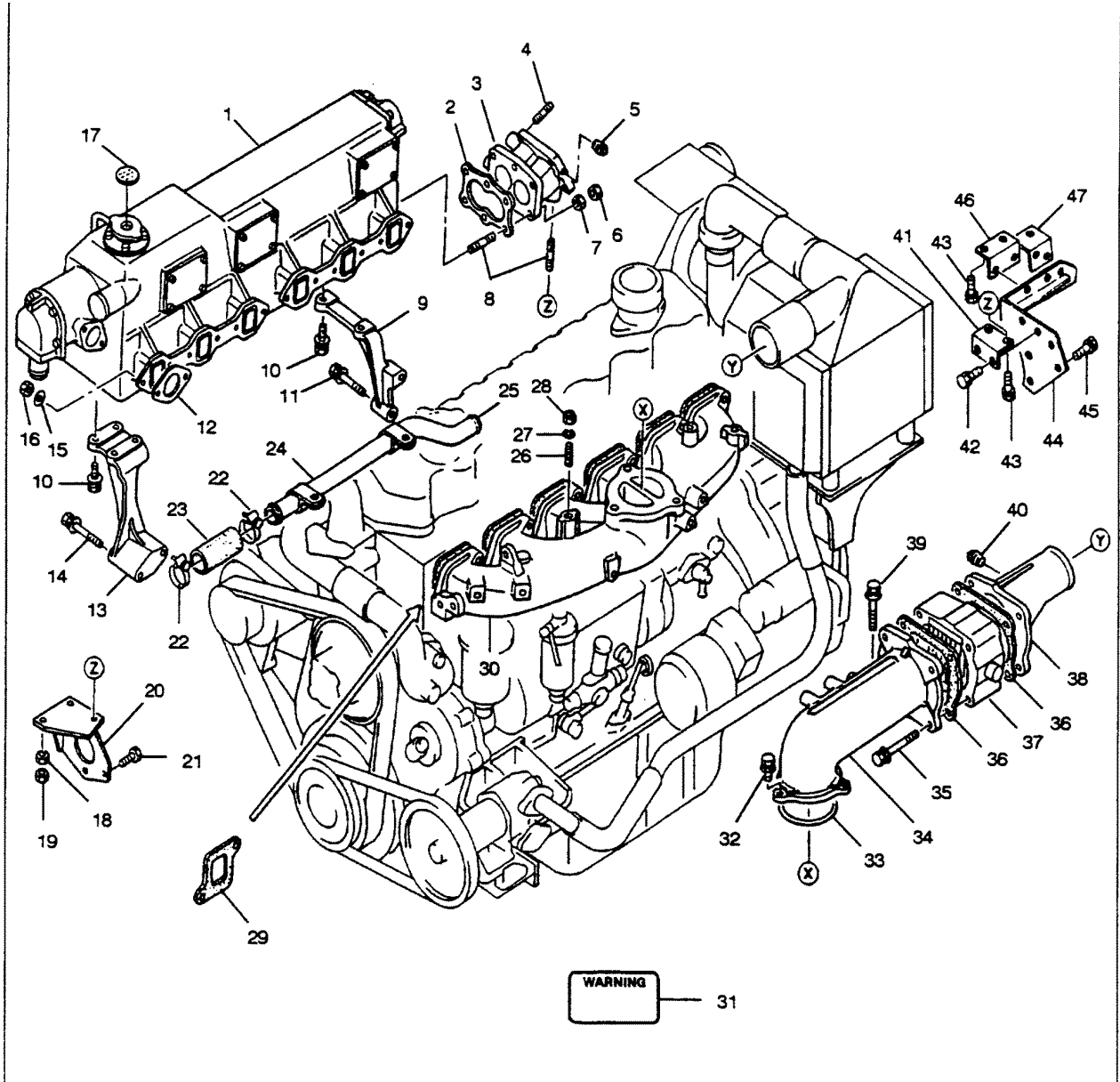


## AIR INTAKE AND EXHAUST SYSTEM FIGURE 1-12

REF. NO.	PART NO.	SYM.	QTY.	DESCRIPTION
1	831412970		1	EXHAUST MANIFOLD/HEAT EXCHANGER COMB. ASSEMBLY
2	831041090		1	EXHAUST MANIFOLD/HEAT EXCHANGER TO TURBO ADAPTOR GASKET
3	831413381		1	ADAPTOR, TURBO TO EXHAUST MANIFOLD
4	836910103		4	STUD, EXHAUST MANIFOLD
5	832010080		1	PLUG
6	830910142		6	NUT
7	830910141		6	NUT
8	836910103		6	STUD
9	831521150		1	BRACKET, EXHAUST MANIFOLD/HEAT EXCHANGER SUPPORT
10	830110300		6	BOLT, EXHAUST MANIFOLD/HEAT EXCHANGER SUPPORT
11	830110650		2	BOLT, EXHAUST MANIFOLD/HEAT EXCHANGER SUPPORT
12	831041100		6	GASKET, EXHAUST MANIFOLD TO CYLINDER HEAD
13	831521160		1	BRACKET, EXHAUST MANIFOLD/HEAT EXCHANGER SUPPORT
14	831110952		2	BOLT, EXHAUST MANIFOLD/HEAT EXCHANGER SUPPORT
15	836010180		12	WASHER
16	830910133		12	NUT
17	835614470		1	PLATE, CAUTION
18	830910141		3	NUT
19	830910142		3	NUT
20	835713050		1	BRACKET, TURBO ADAPTOR SUPPORT - OLDER ENGINE ONLY
21	830114300		2	BOLT, TURBO ADAPTOR SUPPORT
22	836404220		2	CLAMP, HOSE
23	830234165		1	HOSE, WATER
24	830119118		2	CLIP, COOLANT PIPE
25	834999996		1	PIPE, COOLANT
26	831008280		4	STUD
27	838008200		4	WASHER
28	830008070		4	NUT
29	831711380		6	GASKET, AIR INLET HOUSING TO CYLINDER HEAD
30	831111274		1	HOUSING, AIR INLET
31	835796000		1	PLATE, ENGINE CAUTION
32	831110301		3	BOLT, AIR INLET PIPE
33	834711050		1	GASKET, AIR INLET PIPE
34	831131311		1	PIPE, AIR INLET
35	831110801		4	BOLT, AIR INLET PIPE TO AIR HEATER
36	830115215		2	GASKET, AIR INLET PIPE TO AIR HEATER
37	832011150		1	HEATER, AIR INLET
38	831132180		1	PIPE, AIR INLET
39	831110702		1	BOLT, AIR PIPE RETAINER
40	832017120		1	PLUG

CONTINUED ON NEXT PAGE ➡

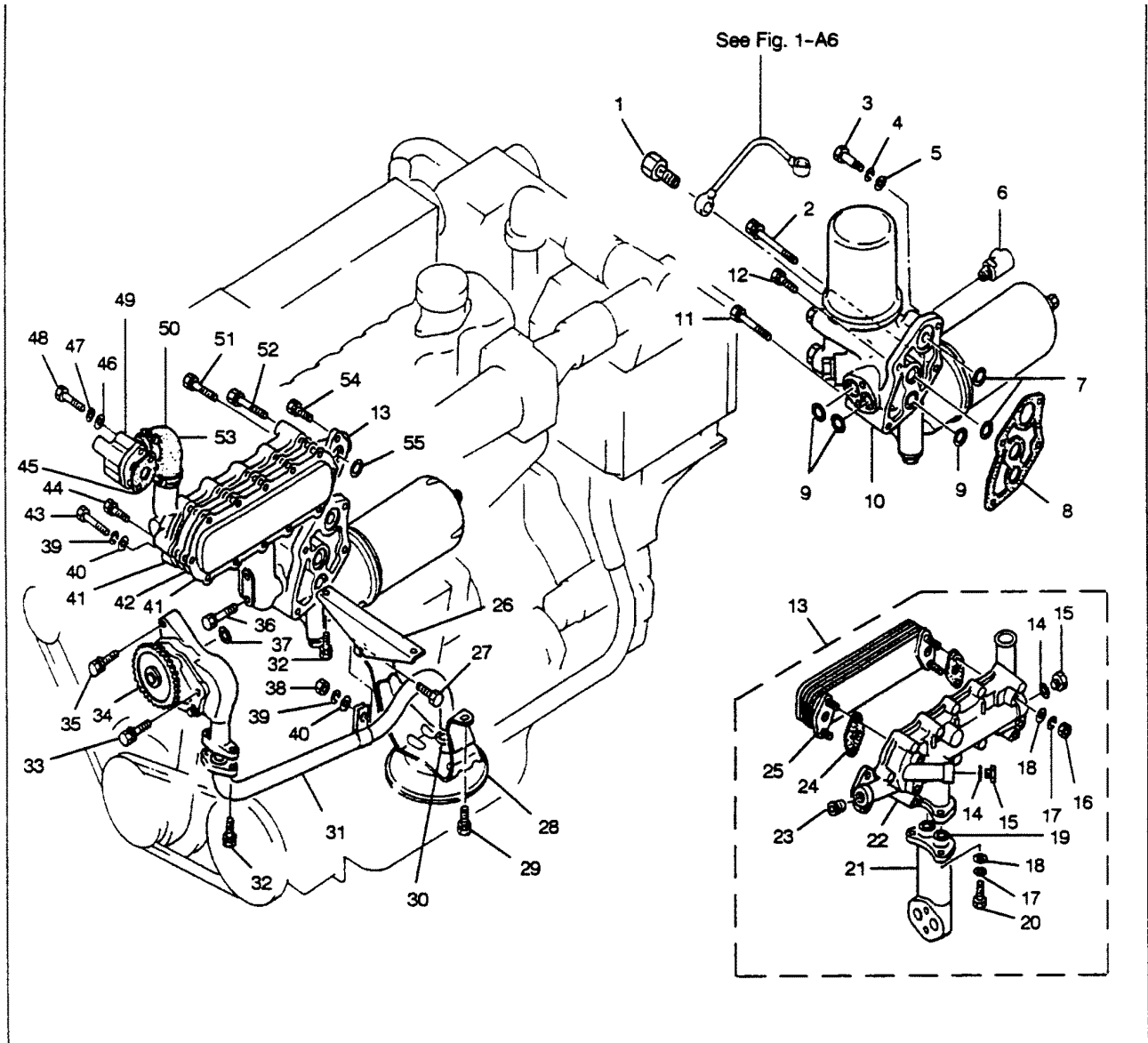
# AIR INTAKE AND EXHAUST SYSTEM FIGURE 1-12



## AIR INTAKE AND EXHAUST SYSTEM FIGURE 1-I2

REF. NO.	PART NO.	SYM.	QTY.	DESCRIPTION
41	834511230		1	BRACKET
42	839110202		6	BOLT
43	831910131		5	BOLT
44	834094060		1	BRACKET, NEW ENGINE EXHAUST PIPE SUPPORT
45	830114300		3	BOLT
46	834511240		1	BRACKET
47	834511260		1	BRACKET

# LUBRICATING SYSTEM FIGURE 1-A3

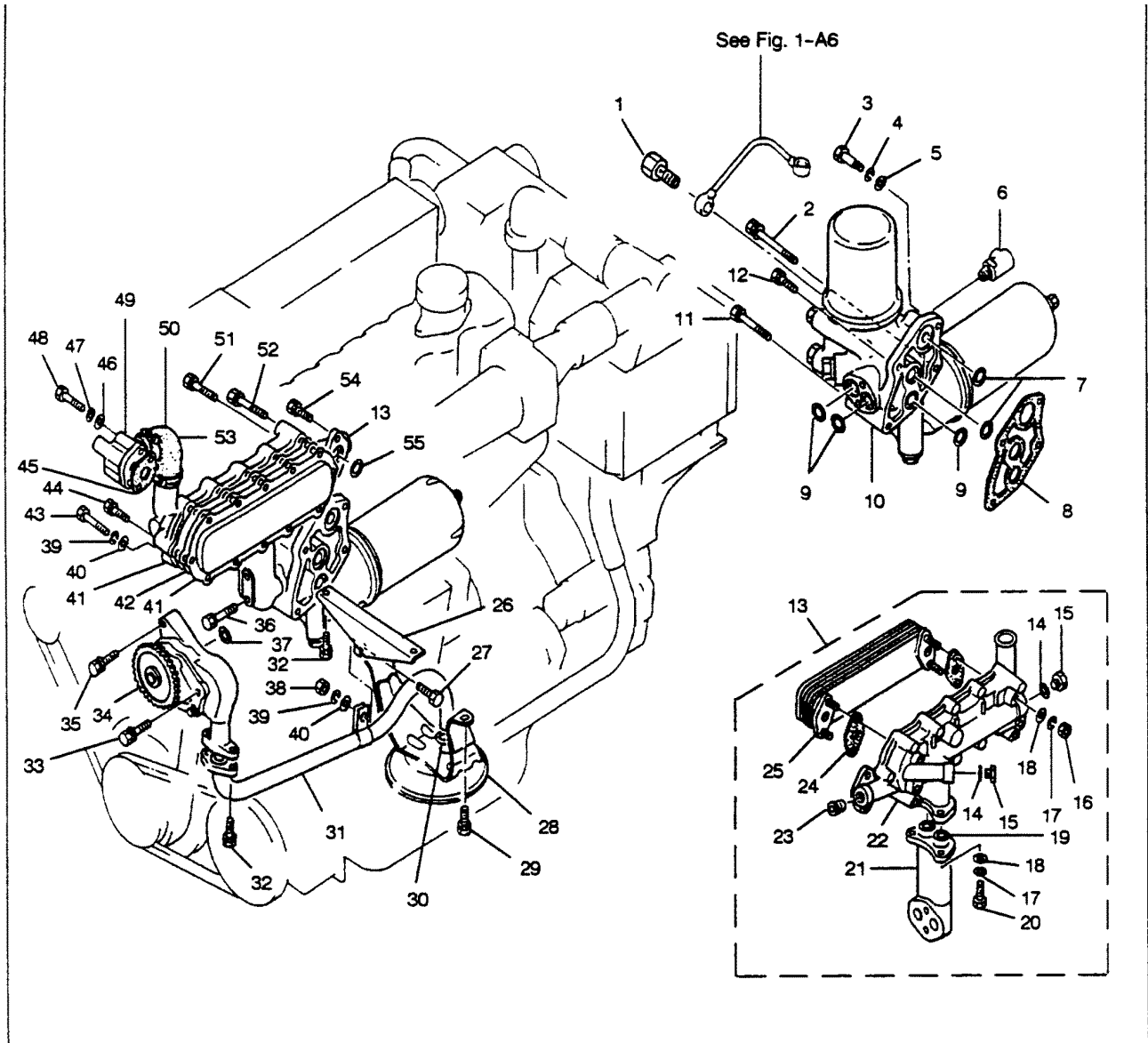


## LUBRICATING SYSTEM FIGURE 1-A3

REF. NO.	PART NO.	SYM.	QTY.	DESCRIPTION
1	830124277		1	BOLT, TURBO OIL SUPPLY
2	831910104		1	BOLT
3	835910130		1	BOLT
4	838012300		1	LOCKWASHER
5	836012220		1	FLATWASHER
6	830235125		1	CONNECTOR, PIPE
7	834402535		1	O-RING
8	836911190		1	GASKET, OIL FILTER HEAD MOUNTING
9	834402131		3	O-RING
10	836002880		1	OIL FILTER ASSEMBLY - COMPONENTS, SEE FIG. 1-E3
11	831110001		1	BOLT
12	831110352		1	BOLT
13	837101020		1	COOLER, OIL ASSEMBLY - CONTAINS #14 THRU 25
14	835118102		2	O-RING
15	830920102		2	PLUG
16	830908137		4	NUT
17	838008200		7	LOCKWASHER
18	836909103		7	FLATWASHER
19	835120102		2	O-RING
20	831108220		3	BOLT
21	837711150		1	PIPE, OIL
22	837111021		1	CASE, OIL COOLER
23	837261070		1	PLUG, FLUSH
24	837171160		2	GASKET, OIL COOLER ELEMENT
25	837121250		1	CORE, OIL COOLER
26	830481160		1	BRACKET, OIL SUCTION SCREEN MOUNTING
27	831110200		1	BOLT
28	831041240		1	SCREEN, OIL SUCTION
29	839108162		2	BOLT
30	834402135		1	O-RING
31	834111370		1	PIPE, OIL PUMP SUCTION
32	838108250		4	BOLT
33	831110651		2	BOLT
34	831101382		1	PUMP, COIL - COMPONENT PARTS, SEE FIG. 1-H3
35	831110401		1	BOLT
36	839108552		2	BOLT
37	834402135		1	O-RING
38	830010080		1	NUT
39	838010250		3	LOCKWASHER
40	836010220		4	FLATWASHER
41	832531050		2	GASKET, PUSH ROD COVER
42	837111210		1	HOUSING, OIL COOLER
43	835908103		2	BOLT

CONTINUED ON NEXT PAGE ➡

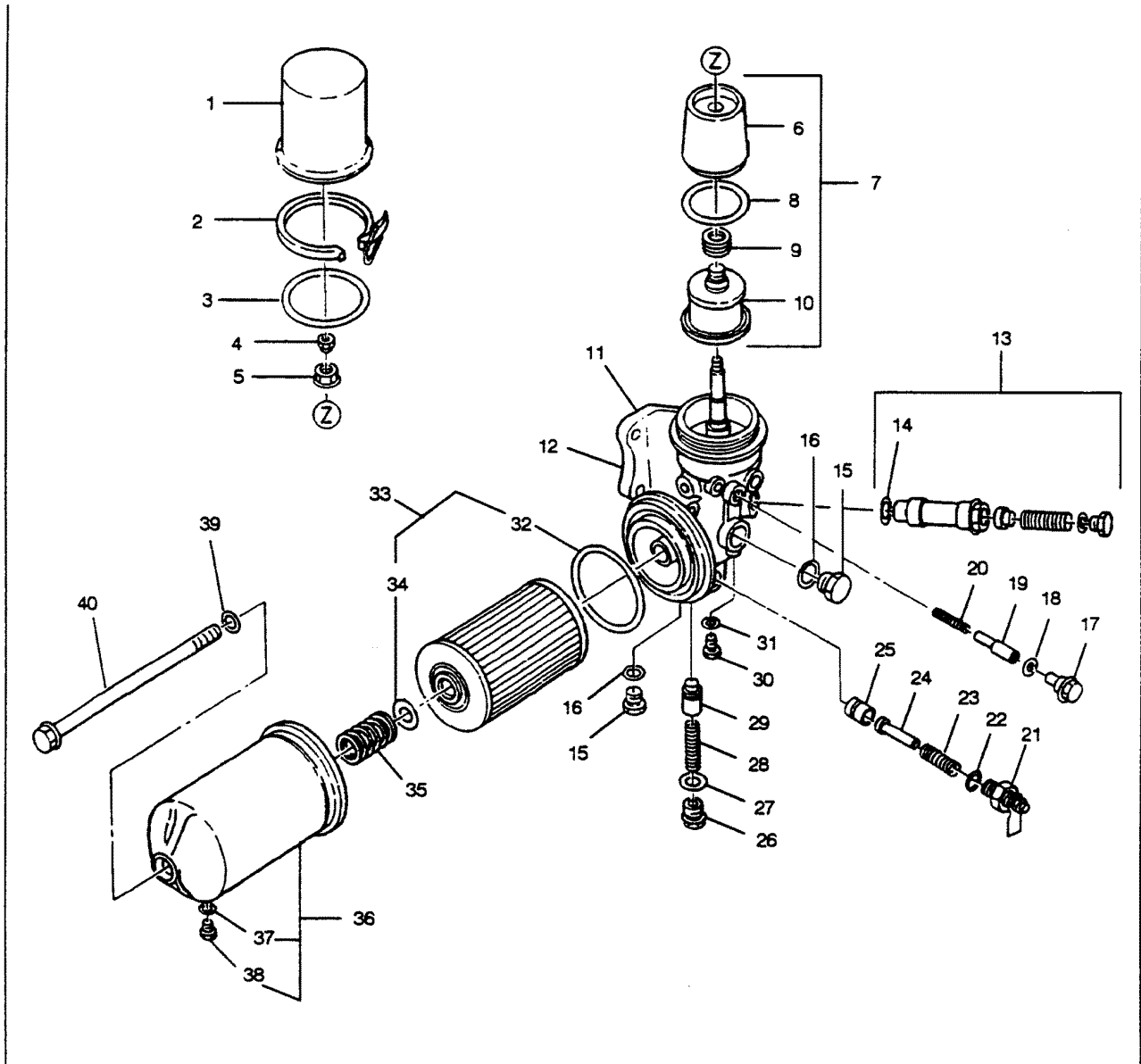
# LUBRICATING SYSTEM FIGURE 1-A3



## LUBRICATING SYSTEM FIGURE 1-A3

REF. NO.	PART NO.	SYM.	QTY.	DESCRIPTION
44	839108452		7	BOLT
45	836925101		1	GASKET, FLANGE
46	836008180		2	FLATWASHER
47	838008200		2	LOCKWASHER
48	839008176		2	BOLT
49	831341040		1	PIPE, OIL COOLER
50	836404420		2	CLAMPS, HOSE
51	839108652		2	BOLT
52	839108802		1	BOLT
53	830234144		1	HOSE, 90- WATER
54	839108202		2	BOLT
55	834402936		1	O-RING

# OIL FILTER ASSEMBLY FIGURE 1-E3

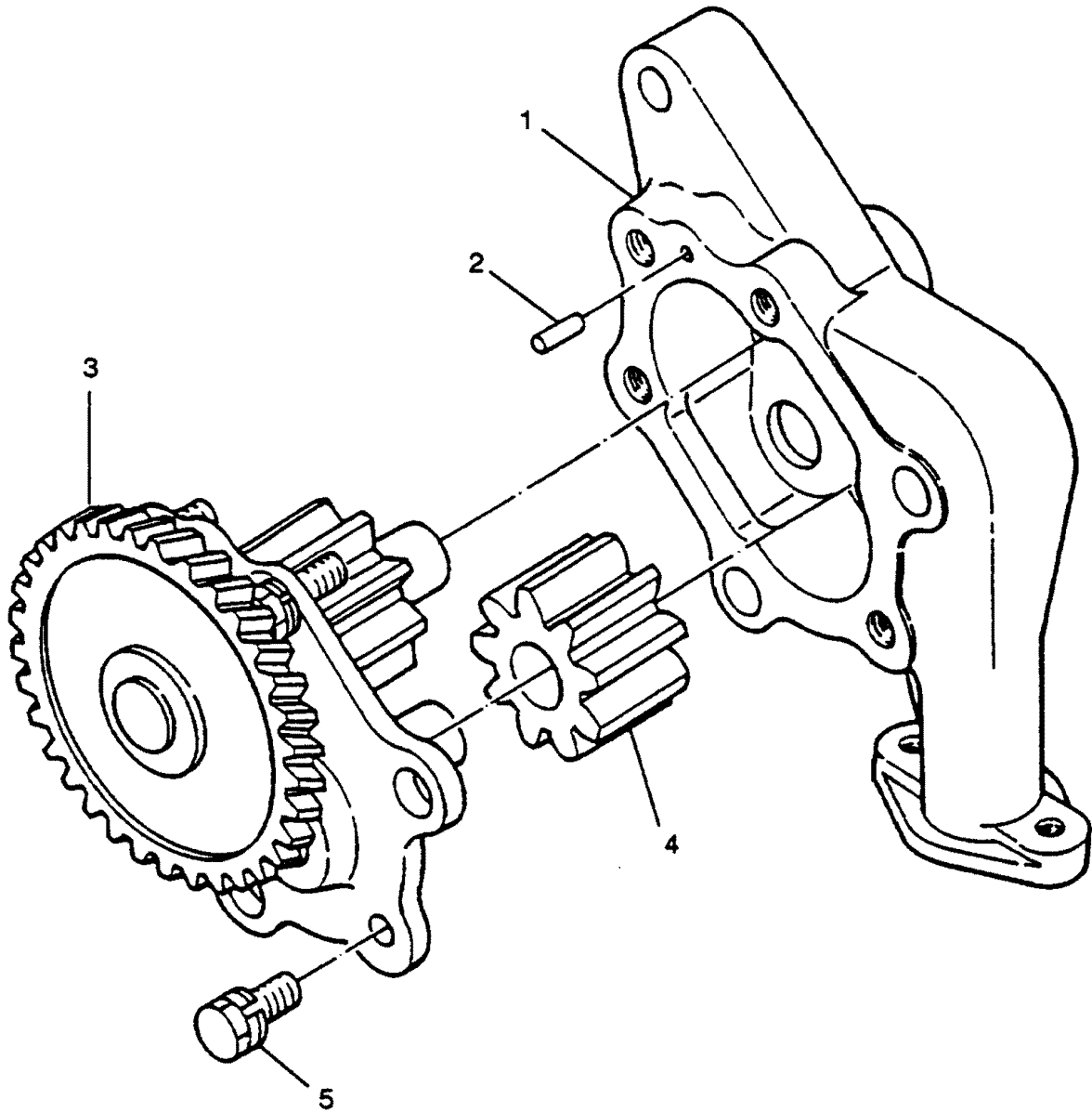




## OIL FILTER ASSEMBLY FIGURE 1-E3

REF. NO.	PART NO.	SYM.	QTY.	DESCRIPTION
1E3	836002880		1	OIL FILTER ASSEMBLY - CONTAINS ALL ITEMS SHOWN
1	835081030		1	BODY ASSEMBLY, ROTOR
2	835091010		1	CLAMP, ROTOR BODY
3	835185102		1	O-RING
4	831891040		1	NUT
5	831891030		1	NUT
6	835111060		1	COVER, ROTOR
7	835101080		1	ROTOR ASSEMBLY - CONTAINS #5, 6, 8, 9, 10
8	835167104		1	O-RING
9	835351020		1	SPRING, OIL ROTOR SUPPORT
10	835251020		1	SUPPORT, CENTRIFUGAL FILTER
11	836201940		1	BASE ASSEMBLY, OIL FILTER - CONTAINS #12 THRU 31
12	836121670		1	BASE, OIL FILTER
13	836051040		1	VALVE ASSEMBLY, OIL CHECK
14	835122109		1	O-RING
15	830922103		2	PLUG
16	835120107		2	O-RING
17	836621100		1	PLUG, OIL VALVE
18	834401521		1	O-RING
19	836241140		1	VALVE, FILTER SAFETY
20	836611100		1	SPRING, OIL SAFETY VALVE
21	836601020		1	PLUG ASSEMBLY, OIL - CONTAINS #22
22	835120107		1	O-RING
23	836611160		1	SPRING, OIL VALVE
24	836041020		1	VALVE, OIL
25	836241040		1	SEAT, OIL VALVE
26	836621080		1	PLUG, OIL VALVE
27	836631080		1	GASKET, OIL PLUG
28	836611170		1	SPRING, OIL VALVE
29	836241130		1	VALVE, FILTER SAFETY
30	836621010		1	PLUG, OIL VALVE
31	835108101		1	O-RING
32	835101147		1	O-RING
33	156071220		1	SET, OIL FILTER ELEMENT - CONTAINS #32, 34, 39
34	836291020		1	WASHER
35	836151150		1	SPRING, OIL FILTER SUPPORT
36	836141660		1	COVER, OIL FILTER ASSEMBLY - CONTAINS #37, 38
37	835108101		1	O-RING
38	836431020		1	PLUG, OIL FILTER DRAIN
39	835116114		1	O-RING
40	836511210		1	BOLT

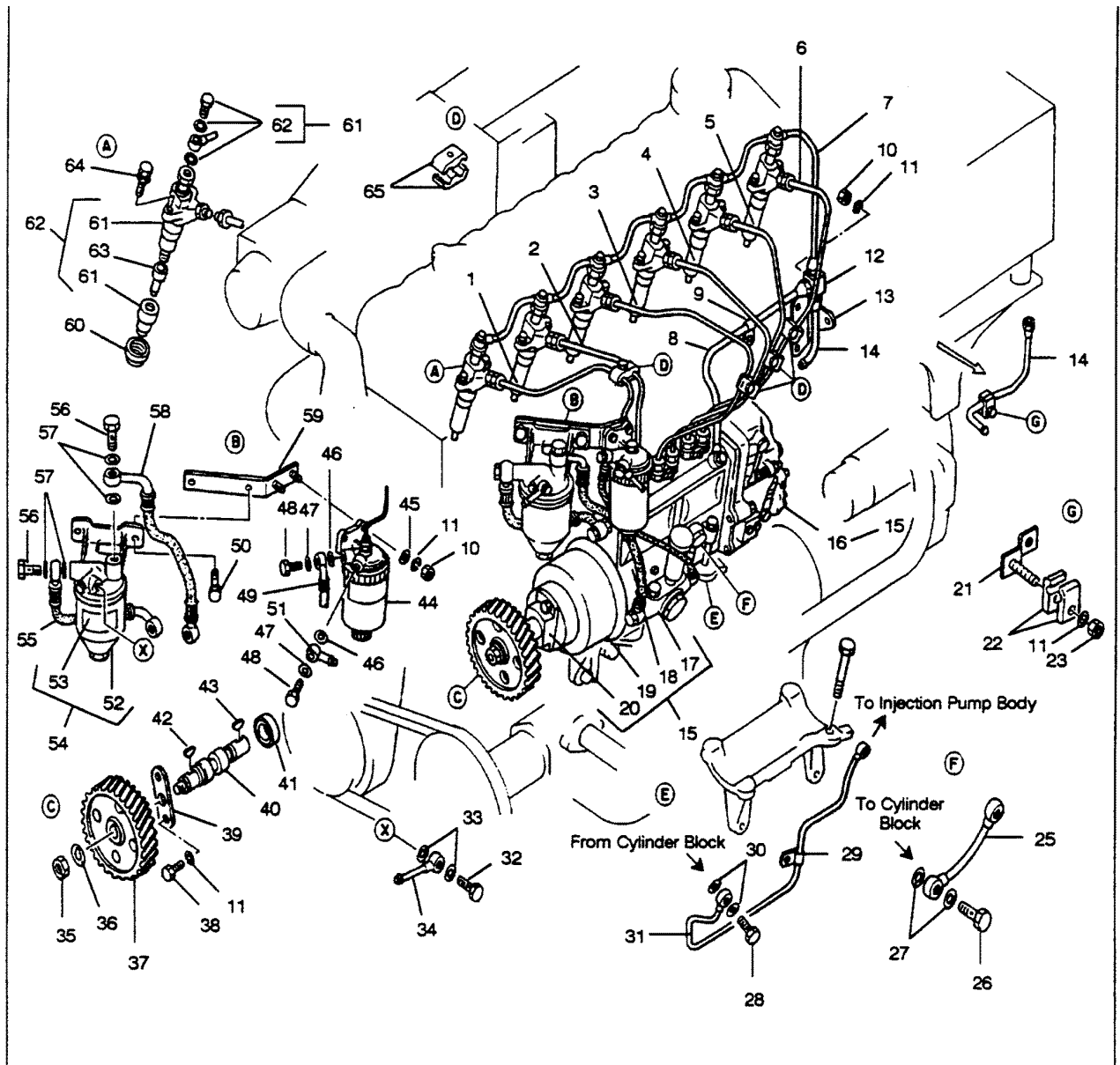
# PUMP, ENGINE LUBRICATING OIL FIGURE 1-H3



## PUMP, ENGINE LUBRICATING OIL FIGURE 1-H3

REF. NO.	PART NO.	SYM.	QTY.	DESCRIPTION
1H3	831101382		1	PUMP, ENGINE OIL
1	831111181		1	BODY, OIL PUMP
2	830305100		1	PIN, STRAIGHT
3	830121112		1	COVER ASSEMBLY, OIL PUMP
4	831071070		1	GEAR, DRIVEN OIL PUMP
5	838108200		4	BOLT, COVER TO OIL PUMP BODY

# FUEL SYSTEM FIGURE 1-J3

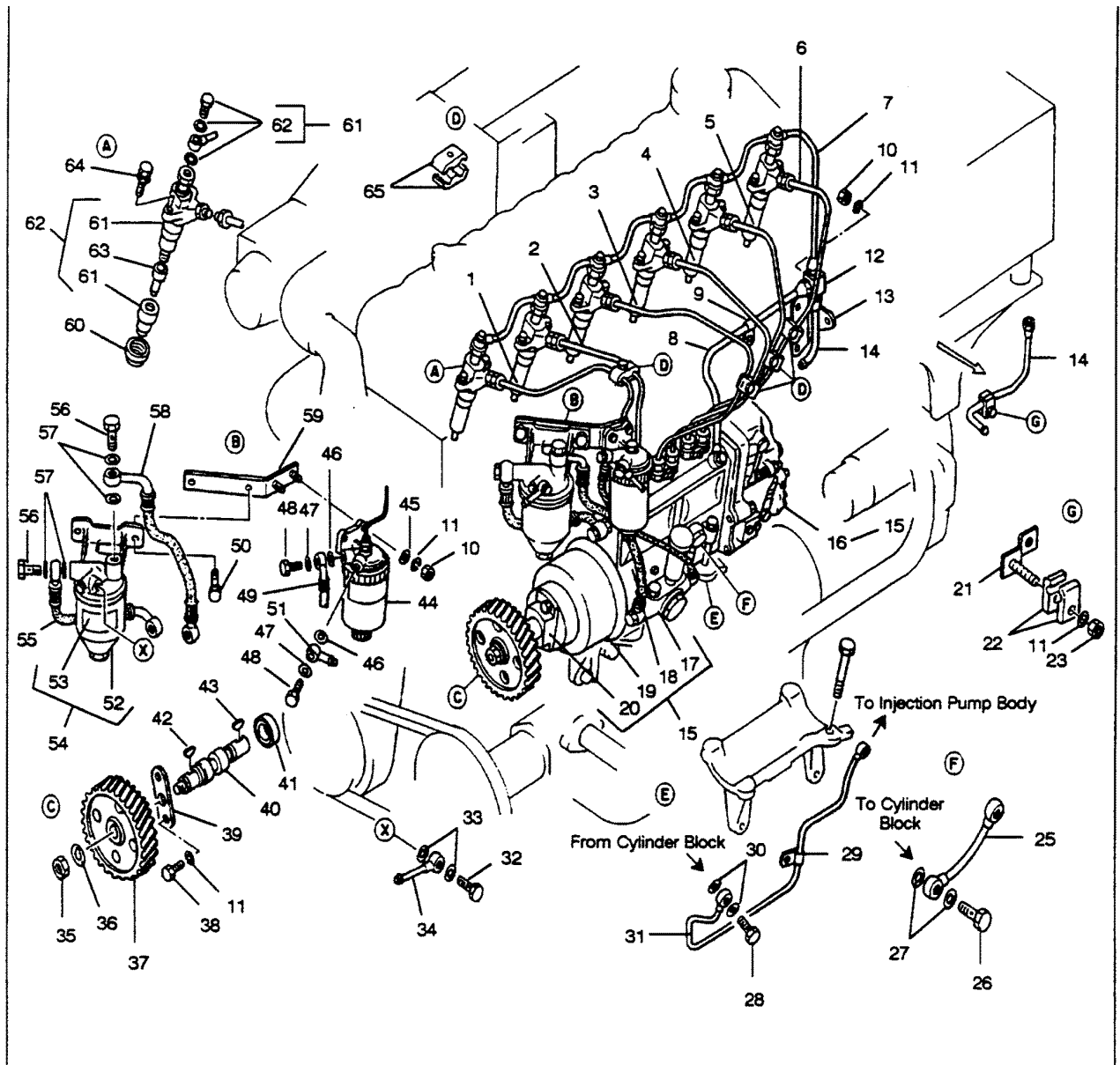


## FUEL SYSTEM FIGURE 1-J3

REF. NO.	PART NO.	SYM.	QTY.	DESCRIPTION
1	837111590		1	PIPE, INJECTOR #1 CYLINDER
2	837121580		1	PIPE, INJECTOR #2 CYLINDER
3	837131530		1	PIPE, INJECTOR #3 CYLINDER
4	837141560		1	PIPE, INJECTOR #4 CYLINDER
5	837151590		1	PIPE, INJECTOR #5 CYLINDER
6	837161580		1	PIPE, INJECTOR #6 CYLINDER
7	830811610		1	PIPE, FUEL RETURN
8	837661260		1	PIPE, SPILL BACK
9	839041090		1	CLIP
10	830008070		3	NUT
11	838008200		5	LOCKWASHER
12	839021030		1	JOINT, 3-WAY
13	837681210		1	BRACKET, FUEL PIPE
14	833912000		1	PIPE, FUEL RETURN
15	830301852		1	PUMP ASSEMBLY, INJECTOR
16	833301351		1	GOVERNOR ASSEMBLY
17	835701080		1	PUMP ASSEMBLY, FUEL SUPPLY
18	831101561		1	BODY ASSEMBLY, INJECTOR PUMP
19	835101420		1	TIMER ASSEMBLY
20	836101080		1	COUPLING ASSEMBLY
21	834921040		1	HOLDER, CLIP
22	839041220		2	CLIP SUB ASSEMBLY
23	830108070		1	NUT
24	839908118		3	BOLT, INJECTOR PUMP TO SUPPORT BRACKET
25	837741060		1	PIPE, OIL
26	831916148		1	BOLT, BANJO OIL PIPE
27	835916105		2	WASHER, SOFT
28	832910248		1	BOLT, OIL PIPE BANJO
29	839041010		1	CLIP
30	835910105		2	WASHER, SOFT
31	837731460		1	PIPE, OIL
32	831908191		1	BOLT
33	835908104		2	WASHER, SOFT
34	830911130		1	PIPE ASSEMBLY
35	831914101		1	NUT
36	837314080		1	WASHER, LOCK
37	836131170		1	GEAR, INJECTOR PUMP DRIVE
38	831908117		2	BOLT
39	835731020		1	PLATE, INJECTOR PUMP GEAR THRUST
40	836111070		1	SHAFT, INJECTOR PUMP DRIVE
41	832825108		1	SEAL, OIL
42	833405190		1	KEY, WOODRUFF
43	833904103		1	KEY

CONTINUED ON NEXT PAGE ➡

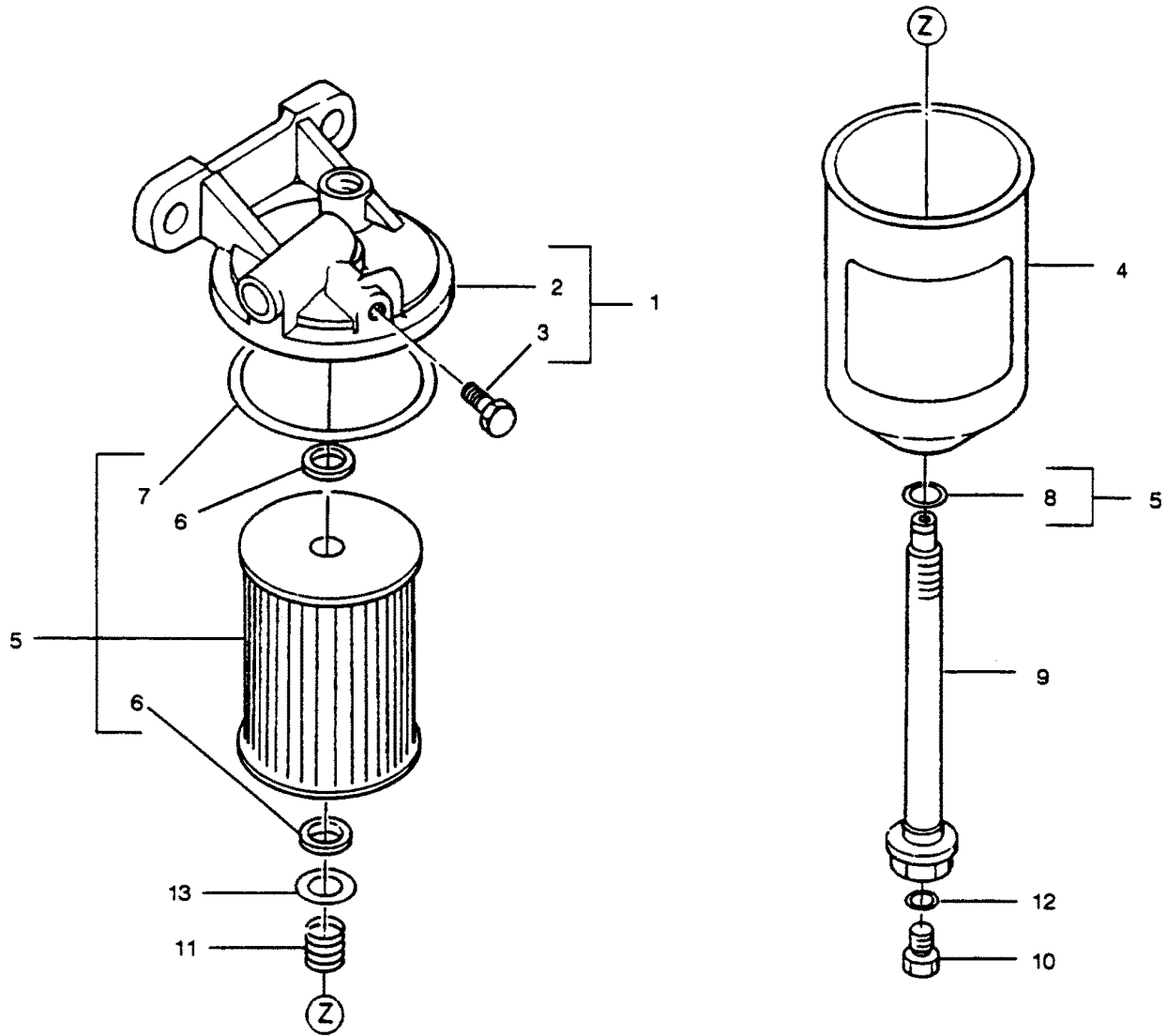
# FUEL SYSTEM FIGURE 1-J3



## FUEL SYSTEM FIGURE 1-J3

REF. NO.	PART NO.	SYM.	QTY.	DESCRIPTION
44	838031080		1	WATER SEPARATOR ASSEMBLY - COMPONENT SEE FIG. 1-E4
45	836008180		2	FLATWASHER
46	835913110		2	WASHER, SOFT
47	835914104		2	WASHER, SOFT
48	831913101		2	BOLT
49	838061440		2	FUEL HOSE
50	831110301		2	BOLT
51	837811620		1	PIPE, FUEL
52	833001790		1	FILTER, FUEL - COMPONENTS, SEE FIG. 1-A4
53	835814480		1	PLATE, CAUTION
54	830101190		1	FILTER ASSEMBLY, FUEL EXPORT
55	838061370		1	HOSE, FUEL
56	831914184		2	BOLT
57	835914104		4	WASHER, SOFT
58	838063030		1	HOSE, FUEL
59	833941071		1	BRACKET, FUEL FILTER MOUNTING
60	836671031		6	RING, PACKING
61	836301210		6	HOLDER, NOZZLE - COMPONENTS, SEE FIG. 1-C4
62	836101450		6	NOZZLE AND HOLDER SET
63	836501410		6	NOZZLE ASSEMBLY
64	838908114		12	NOZZLE HOLD DOWN BOLT
65	839041250		8	CLIP, FUEL LINE

# FUEL FILTER FIGURE 1-A4

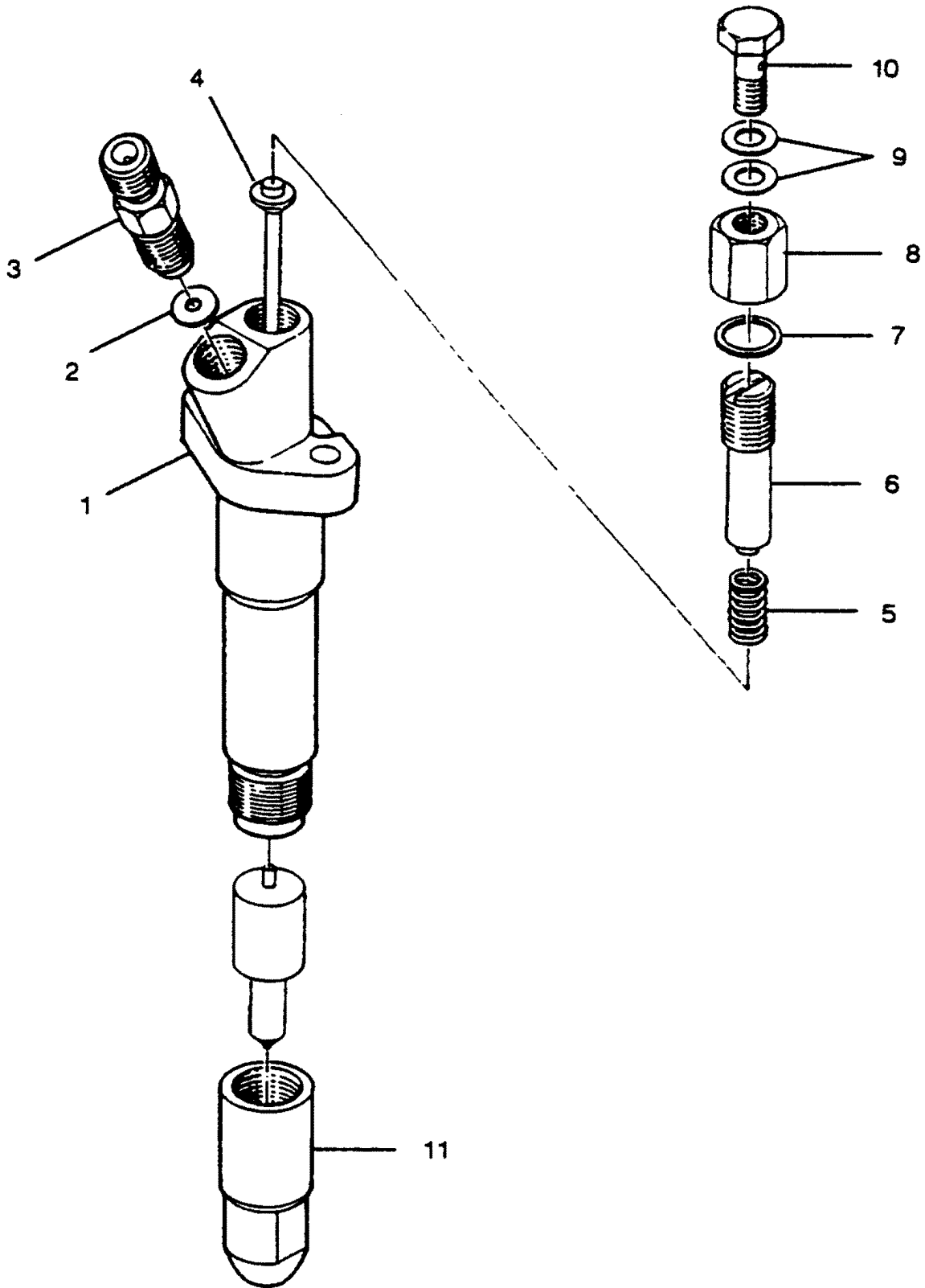




## FUEL FILTER FIGURE 1-A4

REF. NO.	PART NO.	SYM.	QTY.	DESCRIPTION
1A4	833001790		1	FUEL FILTER
1	833101350		1	COVER ASSEMBLY - CONTAINS #2, 3
2	833111220		1	COVER, FUEL FILTER
3	833161040		1	PLUG, AIR BLEED
4	833211210		1	CANISTER, FUEL FILTER
5	834999999		1	SET, FUEL FILTER - CONTAINS #6, 7, 8
6	833121050		1	GASKET, FILTER BOWL
7	833351030		2	GASKET, FILTER BOWL
8	835115112		1	O-RING
9	833291050		1	BOLT, CENTER
10	833221070		1	PLUG, DRAIN
11	833331100		1	SPRING, FUEL FILTER ELEMENT
12	835107103		1	O-RING
13	833341020		1	PLATE, SPRING

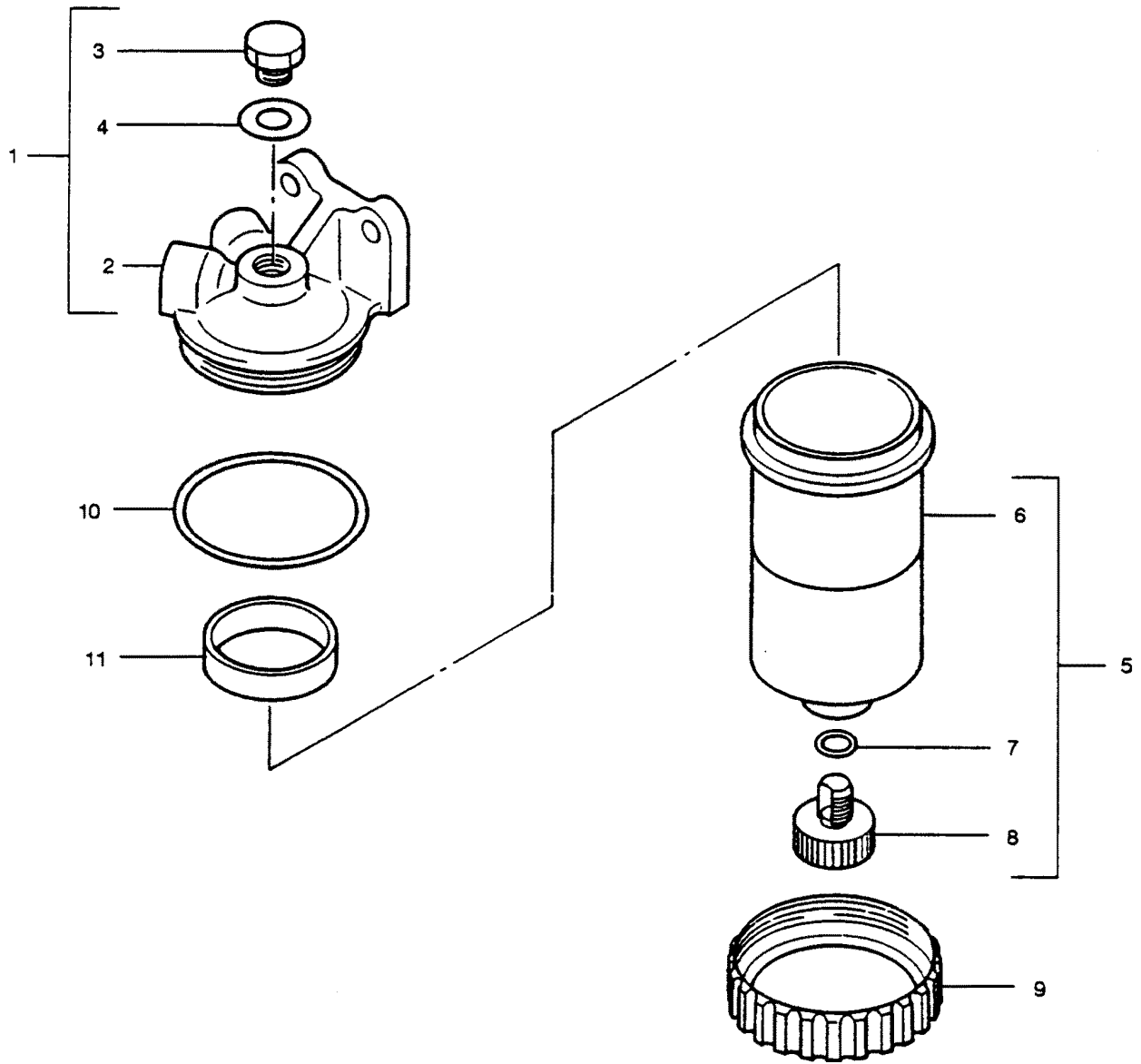
# HOLDER, NOZZLE FIGURE 1-C4



## HOLDER, NOZZLE FIGURE 1-C4

REF. NO.	PART NO.	SYM.	QTY.	DESCRIPTION
1C4	836301210		1	HOLDER ASSEMBLY, NOZZLE
1	836021160		1	BODY ASSEMBLY, NOZZLE HOLDER
2	836211070		1	GASKET
3	836111180		1	INLET CONNECTOR
4	836161030		1	PIN, NOZZLE
5	836151060		1	SPRING, NOZZLE
6	836141040		1	PLATE, FLANGE SET BOLT LOCK
7	836431010		1	GASKET, RETAINING NUT
8	836231110		1	NUT, NOZZLE HOLDING CAP
9	838471110		2	GASKET
10	838351130		1	BOLT, BANJO JOINT
11	836331030		1	NUT, NOZZLE RETAINER

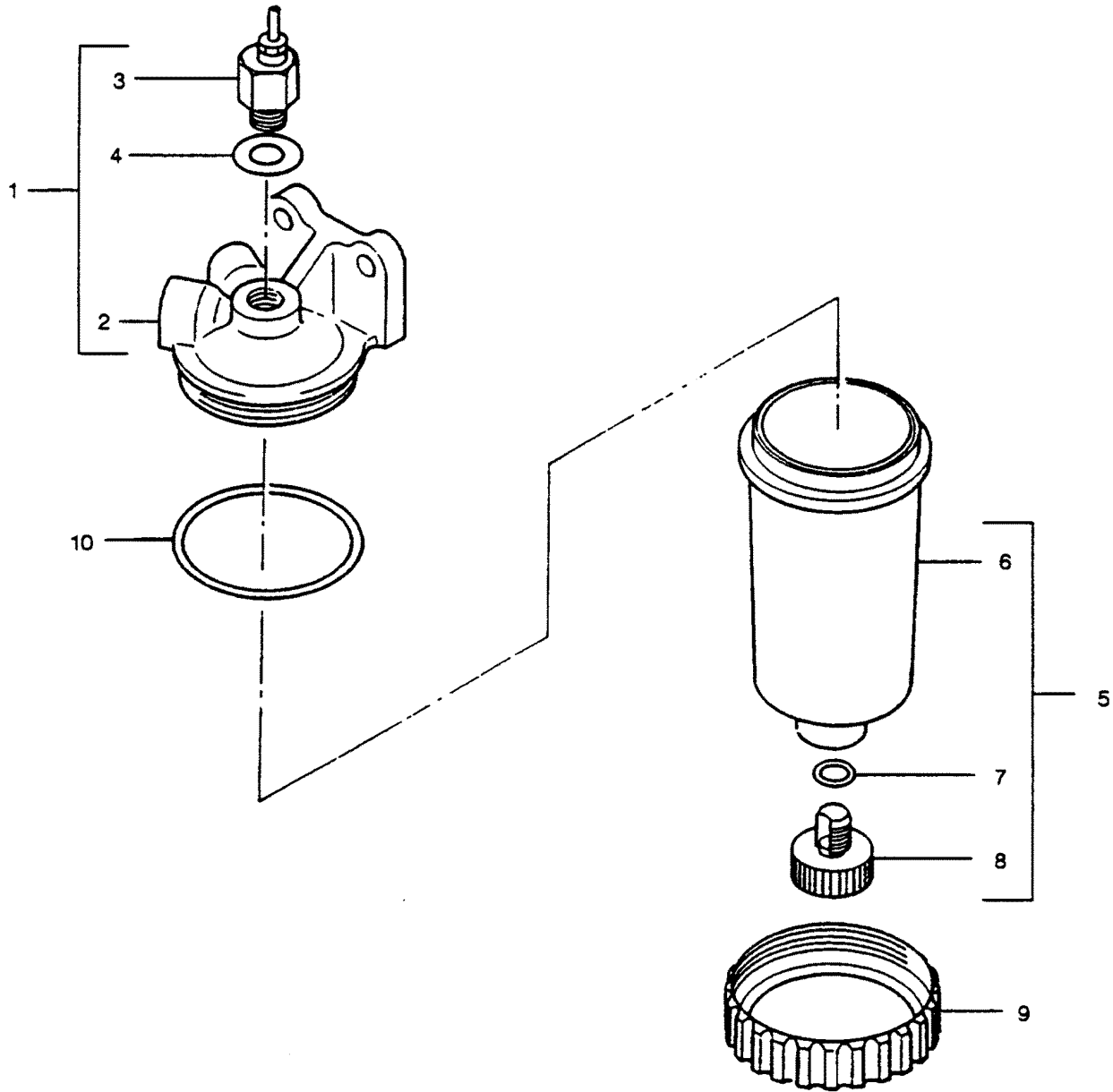
# FUEL SEDIMENTER FIGURE 1-E4



## FUEL SEDIMENTER FIGURE 1-E4

REF. NO.	PART NO.	SYM.	QTY.	DESCRIPTION
1E4	838031080		1	SEPARATOR, WATER ASSEMBLY
1	833601010		1	COVER ASSEMBLY, WATER SEPARATOR - CONTAINS #2, 3, 4
2	833611011		1	COVER, WATER SEPARATOR
3	833161030		1	PLUG, AIR VENT
4	833641010		1	GASKET, AIR VENT PLUG
5	833701010		1	BODY ASSEMBLY, WATER SEPARATOR - CONTAINS #6, 7, 8
6	833711010		1	BODY, WATER SEPARATOR
7	835109103		1	O-RING
8	833221030		1	PLUG, DRAIN
9	833621020		1	RING, RETAINER
10	835159101		1	O-RING
11	833721010		1	FLOAT

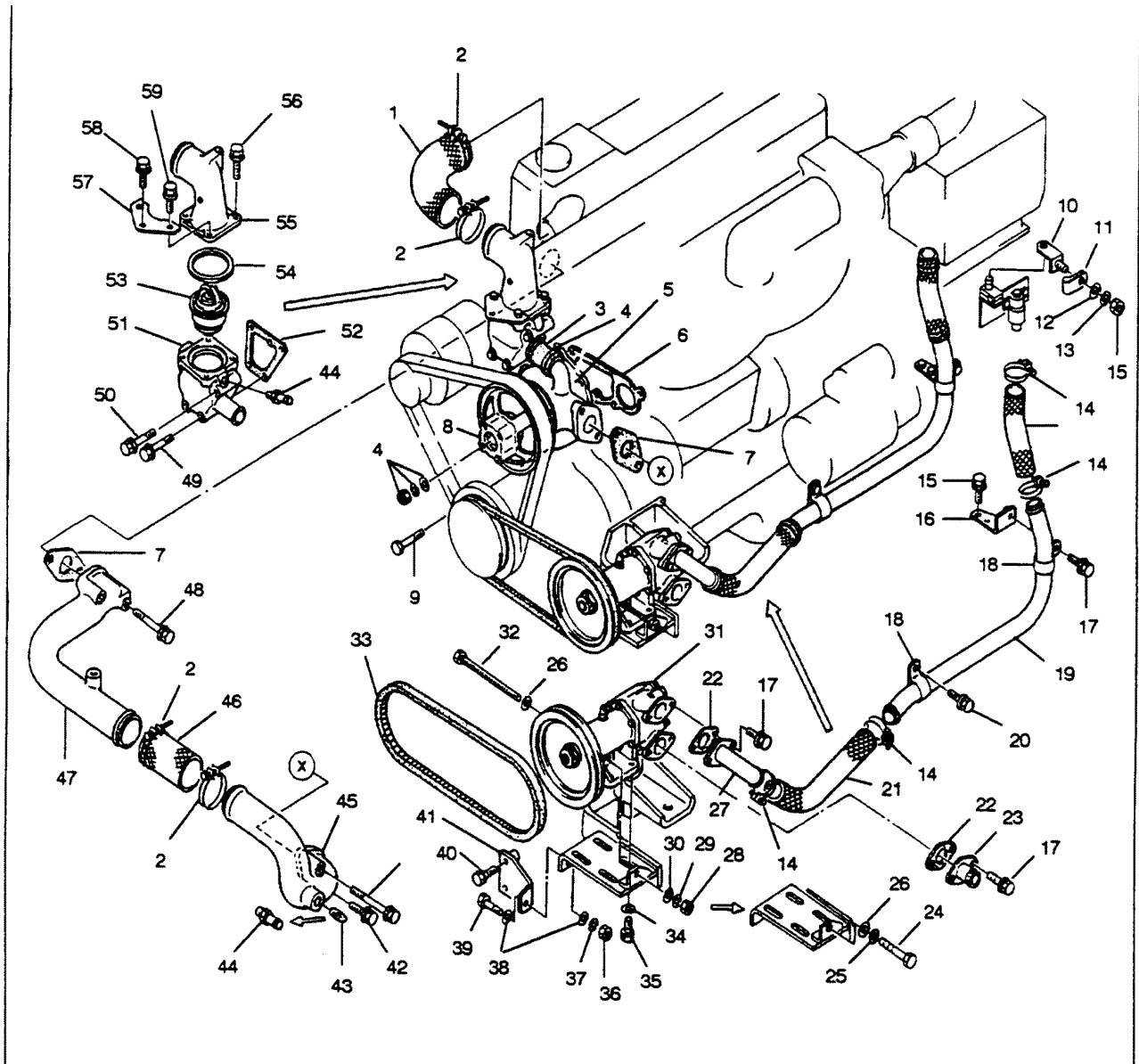
# WATER SEDIMENTER FIGURE 1-G4



# WATER SEDIMENTER FIGURE 1-G4

REF. NO.	PART NO.	SYM.	QTY.	DESCRIPTION
1G4	838031160		1	SEPARATOR ASSEMBLY, WATER
1	833601020		1	COVER ASSEMBLY, WATER SEPARATOR - CONTAINS #2, 3, 4
2	833611011		1	COVER, WATER SEPARATOR
3	834601150		1	SWITCH, WATER LEVEL WARNING
4	833641010		1	GASKET, SWITCH
5	833701050		1	BODY ASSEMBLY, WATER SEPARATOR - CONTAINS #6, 7, 8
6	833711010		1	BODY, WATER SEPARATOR
7	835109103		1	O-RING
8	833221030		1	PLUG, DRAIN
9	833621020		1	RING, RETAINER
10	835159101		1	O-RING

# COOLING SYSTEM FIGURE 1-14



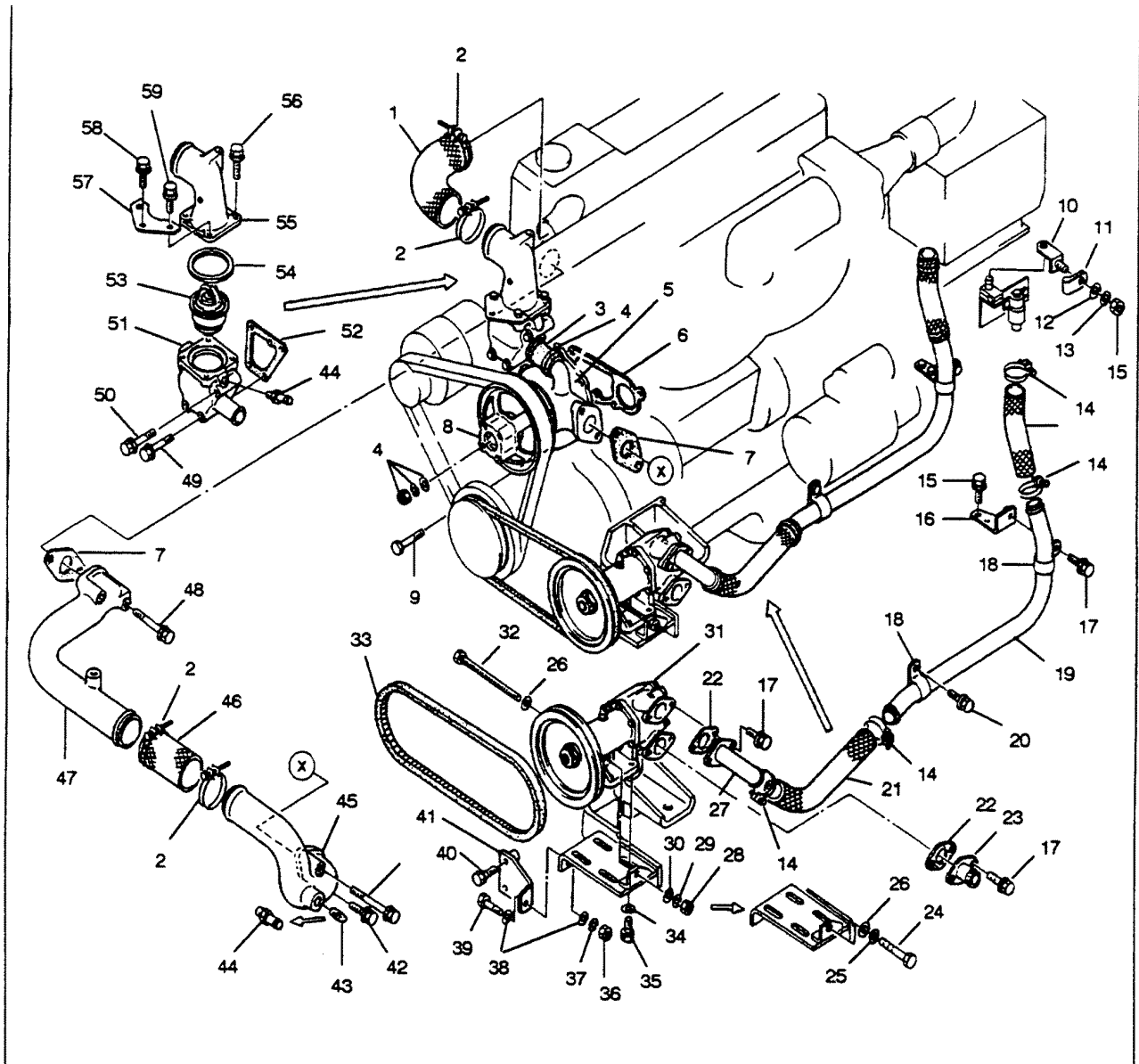


## COOLING SYSTEM FIGURE 1-14

REF. NO.	PART NO.	SYM.	QTY.	DESCRIPTION
1	830234337		1	HOSE, WATER
2	836962101		4	CLAMP, HOSE
3	830234167		1	HOSE, WATER
4	836404620		2	CLAMP, HOSE
5	831001170		1	PUMP ASSEMBLY, COOLANT - COMPONENTS, SEE FIG. 1-A5
6	831391022		1	GASKET
7	830115217		2	GASKET
8	831731201		1	PULLEY, ENGINE COOLANT
9	831110601		4	BOLT
10	834921120		1	HOLDER, CLIP
11	839041230		1	CLIP ASSEMBLY
12	836008180		1	FLATWASHER
13	838008200		1	LOCKWASHER
14	836404220		4	CLAMP
15	839108201		2	BOLT
16	834922551		1	HOLDER, CLIP
17	839108202		5	BOLT
18	836932101		2	CLAMP
19	831151110		1	PIPE, COOLANT
20	839108122		1	BOLT
21	830234363		1	HOSE, WATER
22	830115229		2	GASKET, RAW WATER OUTLET
23	830211250		1	ADAPTOR, RAW WATER SUCTION
24	831910281		1	BOLT
25	838010250		1	LOCKWASHER
26	836010220		1	FLATWASHER
27	830231120		1	PIPE, RAW WATER OUTLET
28	830108070		1	NUT
29	838010250		1	LOCKWASHER
30	836208220		1	WASHER, PLAIN
31	831002480		1	RAW WATER PUMP - COMPONENTS, SEE FIG. 1-C5
32	831910281		1	BOLT
33	830149104		1	V-BELT, RAW WATER PUMP DRIVE
34	836010300		4	FLATWASHER
35	830110250		4	BOLT
36	830110080		1	NUT
37	838010250		1	LOCKWASHER
38	836010180		2	FLATWASHER
39	831110300		1	BOLT
40	839108701		2	BOLT
41	833291170		1	BRACKET
42	831110251		1	BOLT
43	832221150		1	PLUG

CONTINUED ON NEXT PAGE ➡

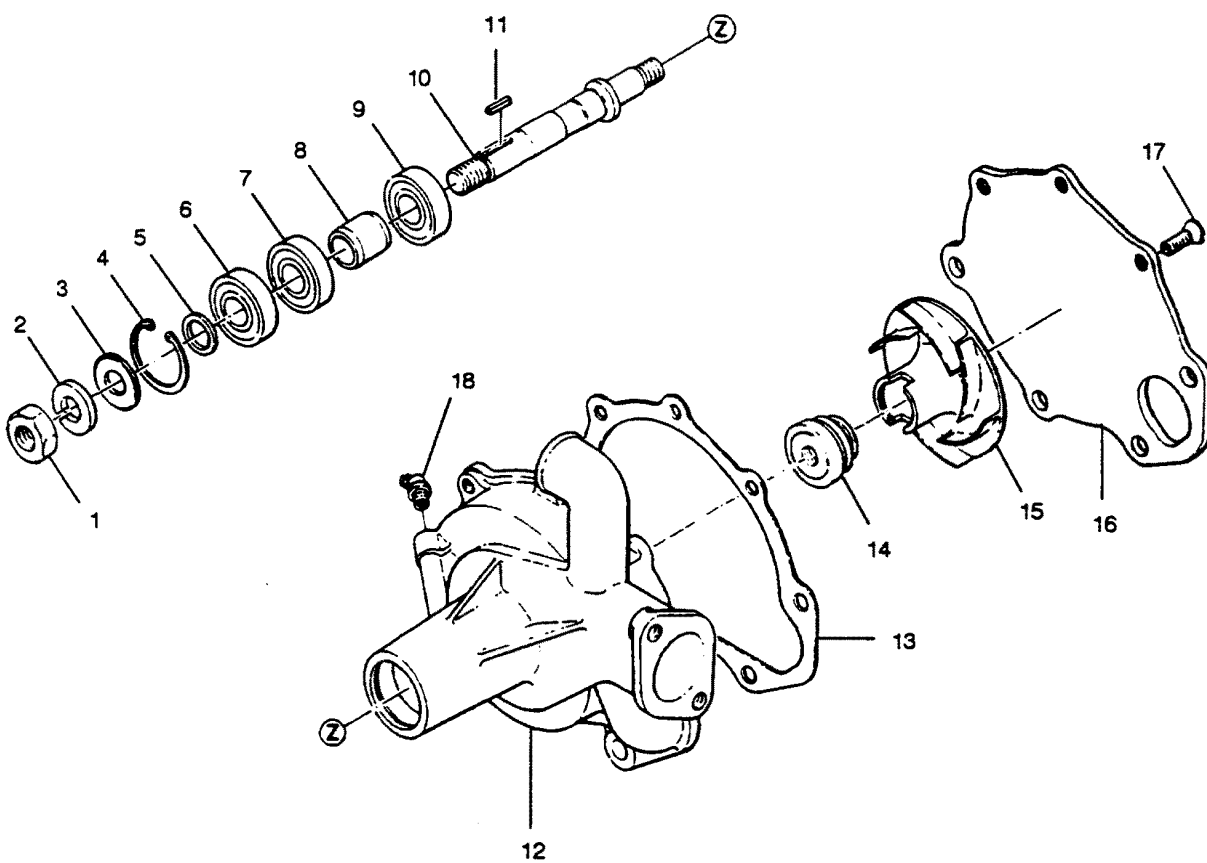
# COOLING SYSTEM FIGURE 1-14



## COOLING SYSTEM FIGURE 1-I4

REF. NO.	PART NO.	SYM.	QTY.	DESCRIPTION
44	833211020		2	HOSE, WATER ADAPTOR
45	831131500		1	PIPE, COOLANT PUMP SUCTION
46	830234169		1	HOSE, WATER
47	831131442		1	PIPE COOLANT
48	831110701		2	BOLT
49	831110852		3	BOLT
50	831110802		1	BOLT
51	833211882		1	HOUSING, THERMOSTAT
52	833251290		1	GASKET, THERMOSTAT HOUSING
53	830146187		1	THERMOSTAT
54	833251111		1	GASKET, THERMOSTAT
55	833231240		1	HOUSING THERMOSTAT OUTLET
56	831110301		2	BOLT
57	833361140		1	BRACKET, COOLANT PIPE
58	831110252		1	BOLT
59	831110401		2	BOLT

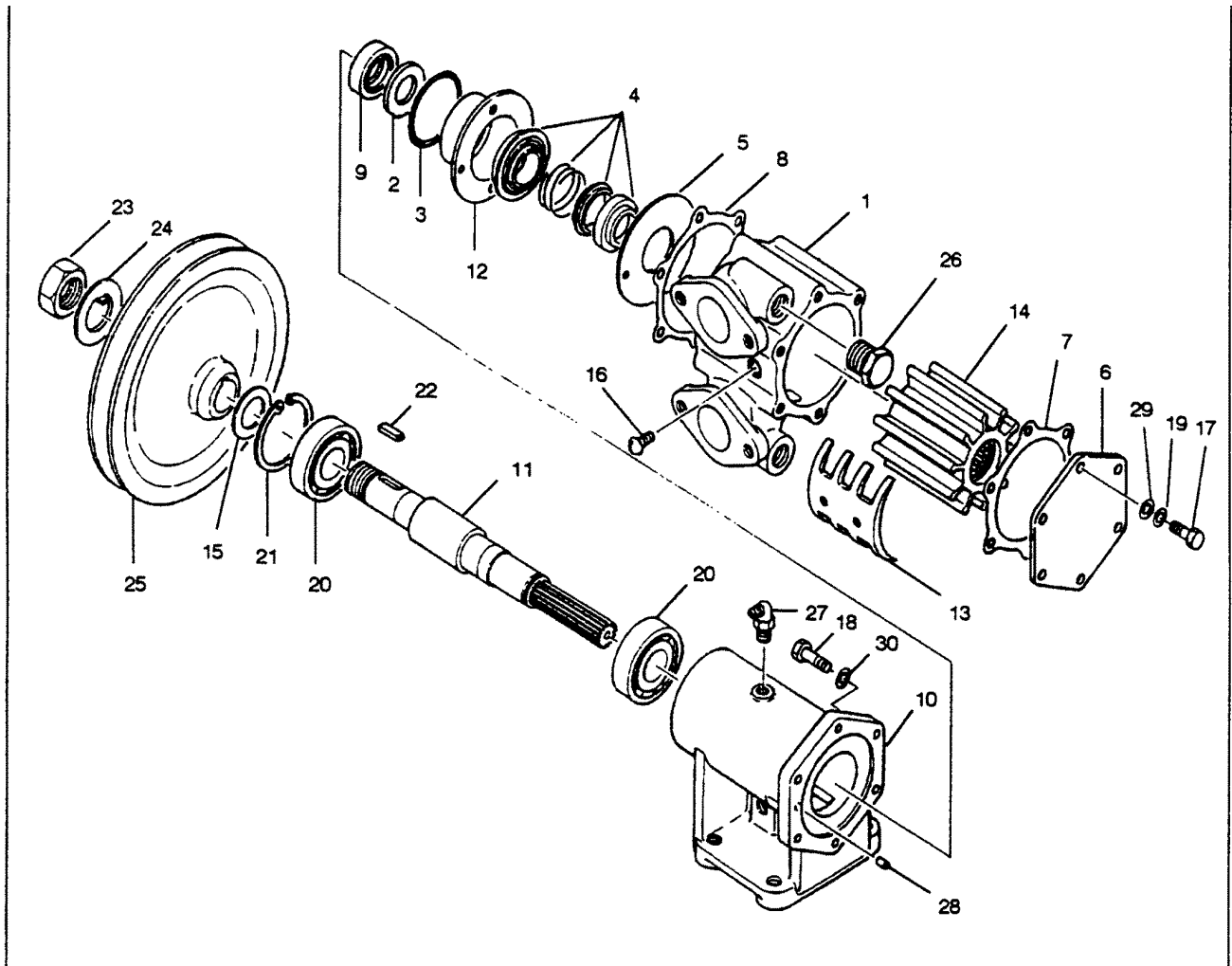
# PUMP, COOLANT FIGURE 1-A5



## PUMP, COOLANT FIGURE 1-A5

REF. NO.	PART NO.	SYM.	QTY.	DESCRIPTION
1A5	831001170		1	PUMP ASSEMBLY, COOLANT
1	830118150		1	NUT
2	838018460		1	LOCKWASHER
3	836218360		1	WASHER
4	831352200		1	RING, RETAINER
5	836924106		1	WASHER
6	838125122		1	BALL BEARING
7	838125121		1	BALL BEARING
8	830129127		1	COLLAR
9	838125122		1	BALL BEARING
10	831451091		1	SHAFT
11	833907104		1	KEY
12	831111470		1	CASE, COOLANT PUMP
13	831291130		1	GASKET, PUMP COVER
14	831041030		1	SEAL ASSEMBLY
15	831311300		1	VANE, COOLANT PUMP
16	831211120		1	COVER, PUMP
17	831008200		3	SCREW, PUMP COVER
18	830210101		1	FITTING, LUBRICATION

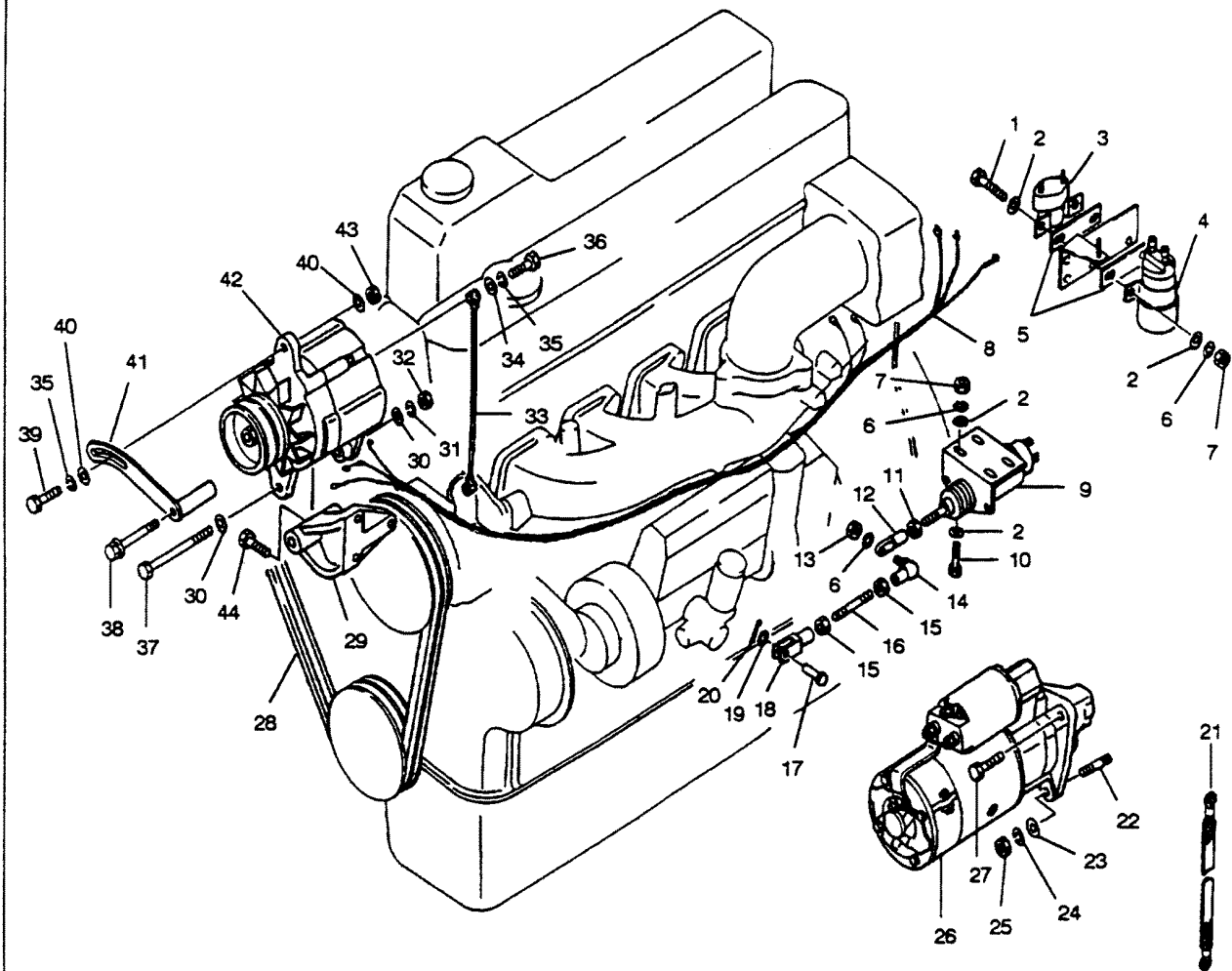
# PUMP, RAW WATER FIGURE 1-C5



## PUMP, RAW WATER FIGURE 1-C5

REF. NO.	PART NO.	SYM.	QTY.	DESCRIPTION
1C5	831002480		1	PUMP ASSEMBLY, RAW WATER
1	831111680		1	CASE, PUMP BODY
2	831471040		1	SLINGER
3	831391300		1	GASKET
4	831041200		1	SEAL, SUB ASSEMBLY
5	831211310		1	COVER, FORWARD PUMP
6	831211320		1	COVER, REAR PUMP
7	831191200		1	GASKET, REAR COVER TO CASE
8	831191210		1	GASKET, FORWARD PUMP CASE
9	831621050		1	SEAL, PUMP SHAFT
10	831111690		1	CASE, PUMP SHAFT SUPPORT
11	831451630		1	SHAFT, PUMP
12	831661020		1	SEAT, PUMP FLOATING
13	831661030		1	CAM, IMPELLER
14	831311350		1	IMPELLER
15	831171030		1	SPACER
16	831361090		2	SCREW, IMPELLER CAM RETAINER
17	831451200		6	BOLT
18	831451210		6	BOLT
19	831641020		6	LOCKWASHER
20	831721080		2	BALL BEARING
21	831261080		1	RETAINER, BEARING
22	838911110		1	KEY
23	831481020		1	NUT
24	831171040		1	LOCKWASHER
25	831732350		1	PULLEY, PUMP DRIVE
26	831161070		2	PLUG, BRASS 3/8 PIPE
27	830511310		1	FITTING, LUBRICATION
28	831471110		1	PIN, LOCATING
29	831171050		6	FLATWASHER
30	831641030		6	LOCKWASHER

# COMPONENT ELECTRICAL PARTS AND MISC. MOUNTING HARDWARE



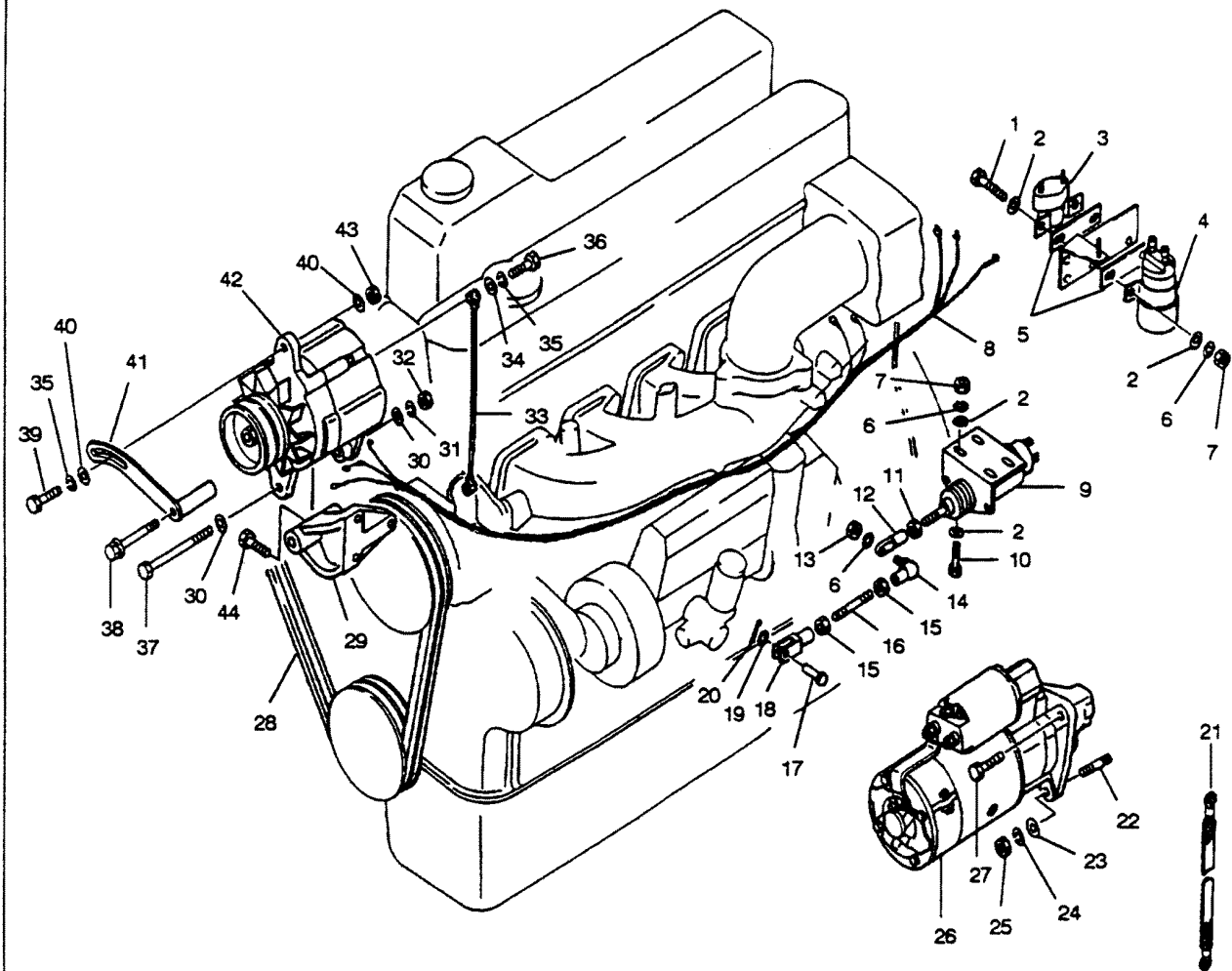


# COMPONENT ELECTRICAL PARTS AND MISC. MOUNTING HARDWARE

REF. NO.	PART NO.	SYM.	QTY.	DESCRIPTION
1	831106250		2	BOLT
2	836006140		8	FLATWASHER
3	834101220		1	RELAY, STARTER ASSIST
4	836201260		1	RELAY, INTAKE AIR HEATER
5	834551130		2	PLATE, RELAY MOUNTING
6	838006150		4	LOCKWASHER
7	830106050		4	NUT
8	FI158392P		1	WIRE HARNESS - PORT ENGINE ONLY
	FI158392S		1	WIRE HARNESS - STARBOARD ENGINE ONLY
9	836801080		1	SOLENOID ASSEMBLY, STOP
10	831106200		4	BOLT
11	830906125		1	NUT
12	835906123		1	CLEVIS
13	830006050		1	NUT
14	832501020		1	JOINT, LINK ROD
15	831006040		2	NUT, LOCK
16	836030110		1	ROD, LINK
17	831106170		1	PIN, CLEVIS
18	835106200		1	CLEVIS
19	836006120		1	WASHER
20	830901101		1	COTTER PIN
21	830803116		1	STRAP, STARTER GROUND
22	834110300		1	STUD, STARTER MOUNTING
23	836010220		1	WASHER
24	838010250		2	LOCKWASHER
25	830110080		1	NUT
26	831001671		1	STARTER ASSEMBLY - COMPONENTS, SEE FIG. 1-A7
27	831110352		2	BOLT
28	830149119		1	V-BELT SET, ALTERNATOR AND ENGINE WATER CIR. PUMP
29	835111690		1	BRACKET, ALTERNATOR MOUNTING
30	836014270		2	WASHER
31	838014350		1	LOCKWASHER
32	830114110		1	NUT
33	830642530		1	GROUND WIRE, ALTERNATOR
34	836008180		1	WASHER
35	838008200		1	LOCKWASHER
36	831108160		1	BOLT
37	832912155		1	BOLT
38	831910105		1	BOLT
39	831110400		1	BOLT

CONTINUED ON NEXT PAGE ➡

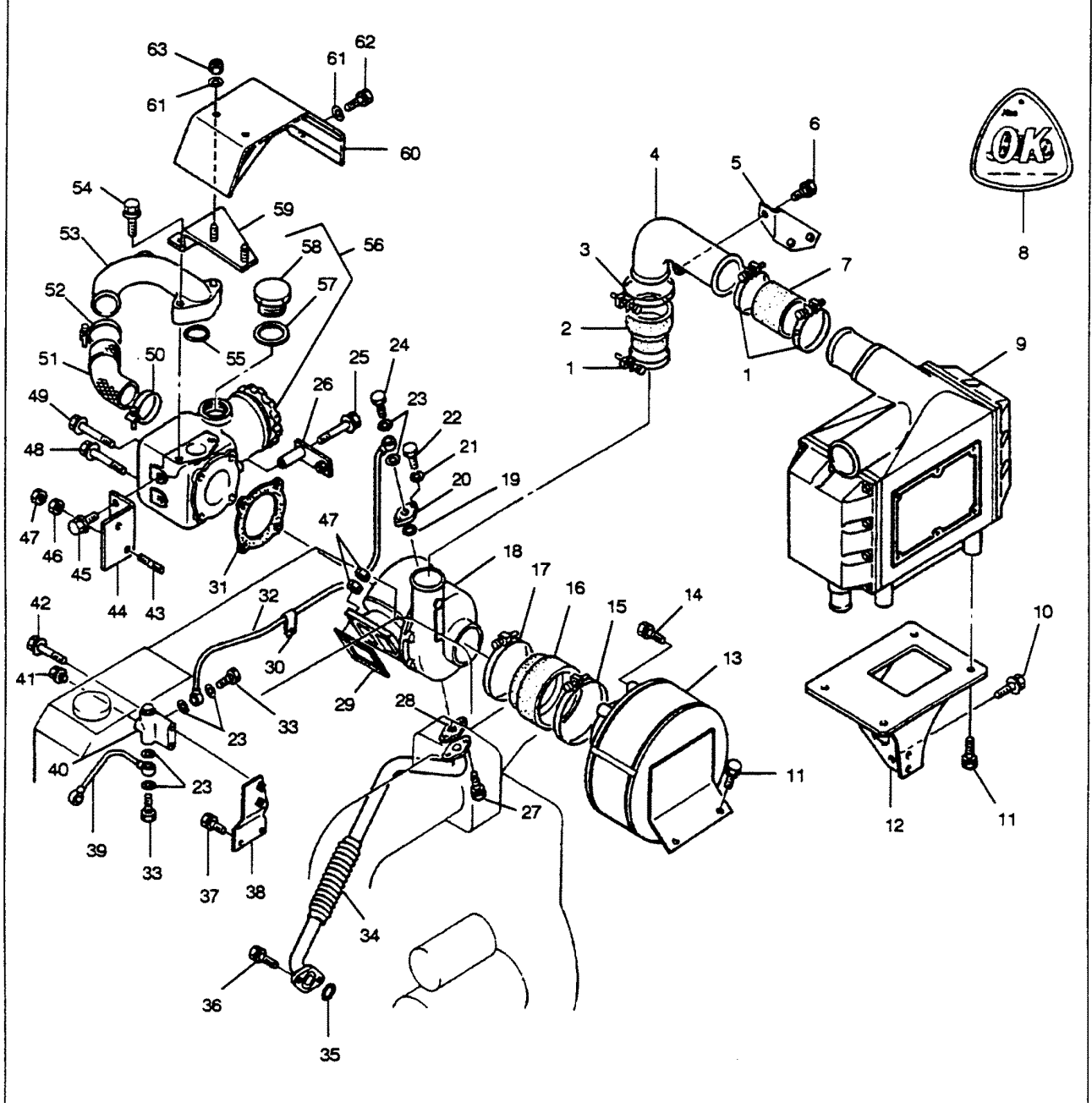
# COMPONENT ELECTRICAL PARTS AND MISC. MOUNTING HARDWARE



## COMPONENT ELECTRICAL PARTS AND MISC. MOUNTING HARDWARE

REF. NO.	PART NO.	SYM.	QTY.	DESCRIPTION
40	836010330		2	WASHER
41	835091220		1	TENSION BAR, ALTERNATOR ADJUSTING
42	830401261		1	ALTERNATOR ASSEMBLY - COMPONENTS, SEE FIG. 1-H6
43	830110080		1	NUT
44	831110251		3	BOLT

# TURBOCHARGER AND MISC COMPONENTS(ENGINE #EH700-T2188)

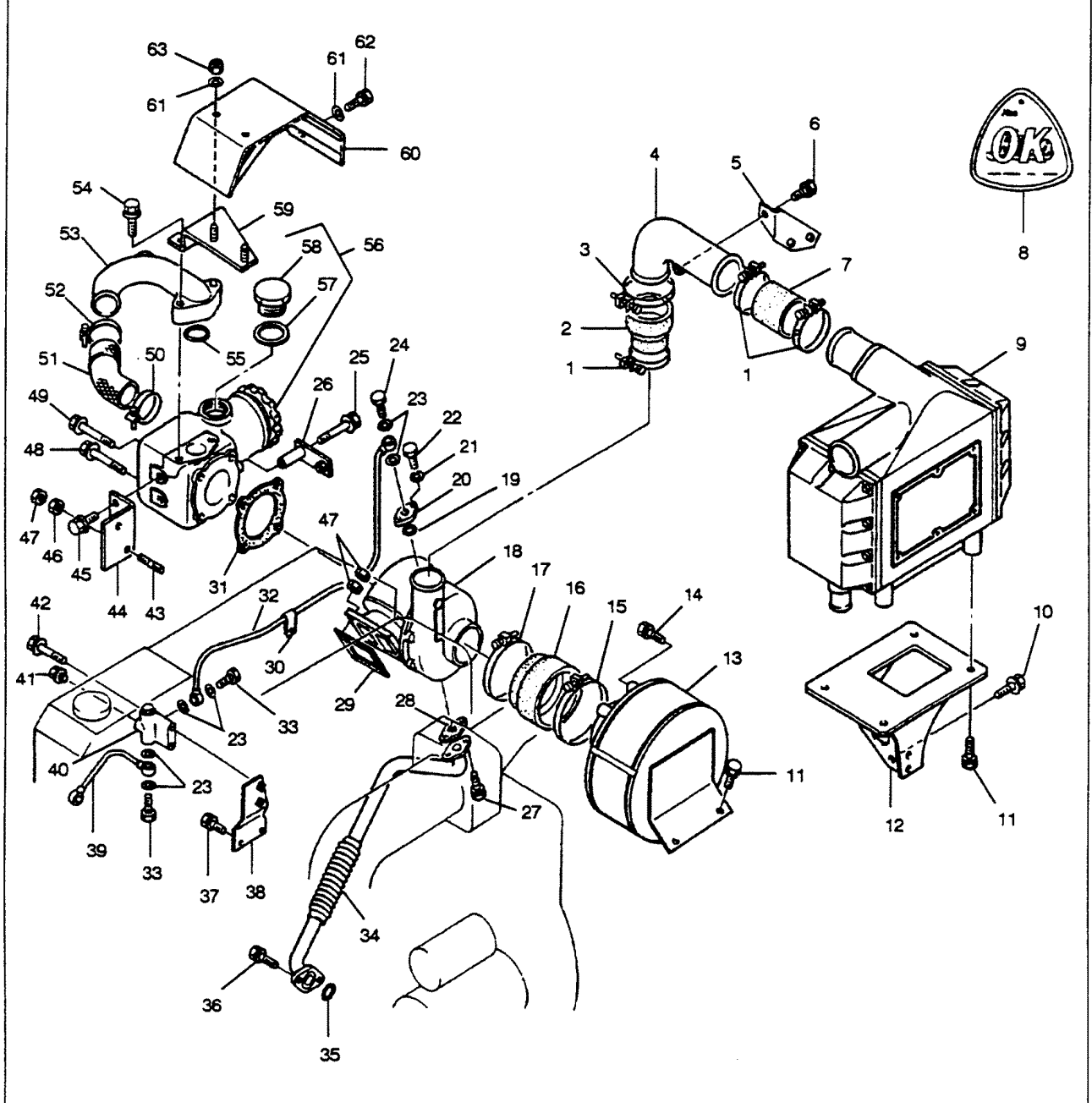


# TURBOCHARGER AND MISC COMPONENTS(ENGINE #EH700-T2188)

REF. NO.	PART NO.	SYM.	QTY.	DESCRIPTION
1	836975103		3	CLAMP
2	830233380		1	AIR HOSE
3	836607010		1	CLAMP
4	831132170		1	PIPE AIR
5	831361590		1	BRACKET, AIR PIPE RETAINER
6	839108202		1	BOLT
7	830233268		1	HOSE, AIR
8	835794030		1	PLATE, ENGINE CAUTION
9	833001040		1	INTERCOOLER ASSEMBLY - COMPONENTS, SEE FIG. 1-G7
10	830114300		4	BOLT
11	839110300		6	BOLT
12	833021050		1	BRACKET, INTERCOOLER MOUNTING
13	837202610		1	CLEANER ASSEMBLY, AIR - COMPONENTS, SEE FIG. 1-I7
14	839110252		2	BOLT
15	836901112		1	CLAMP
16	830233375		1	HOSE, AIR
17	836994102		1	CLAMP
18	831001501		1	TURBOCHARGER ASSEMBLY, - COMPONENTS, SEE FIG 1-E7
19	835113103		1	O-RING
20	831371010		1	ADAPTOR, OIL SUPPLY
21	838006150		2	LOCKWASHER
22	831106300		2	BOLT
23	835912111		7	WASHER, SOFT
24	831912179		2	BOLT
25	839108702		1	BOLT
26	830431250		1	BRACKET
27	838106200		2	BOLT
28	831351050		1	GASKET, TURBO OIL DRAIN
29	831041111		1	GASKET, TURBO TO EXHAUST MANIFOLD ADAPTOR
30	839041380		1	CLIP, TURBO OIL SUPPLY LINE HOLDER
31	831791090		1	GASKET, TURBO TO EXHAUST ELBOW
32	831711400		1	LINE, TURBO OIL SUPPLY
33	831912179		2	BOLT
34	831071060		1	DRAIN TUBE, TURBO OIL
35	835131103		1	O-RING
36	838110250		2	BOLT
37	838108200		2	BOLT
38	831921041		1	BRACKET, OIL LINE ADAPTOR
39	831711080		1	PIPE, OIL SUPPLY
40	836021070		1	VALVE, OIL SUPPLY
41	830912102		1	PLUG
42	839108651		2	BOLT
43	836910103		2	STUD

CONTINUED ON NEXT PAGE ➡

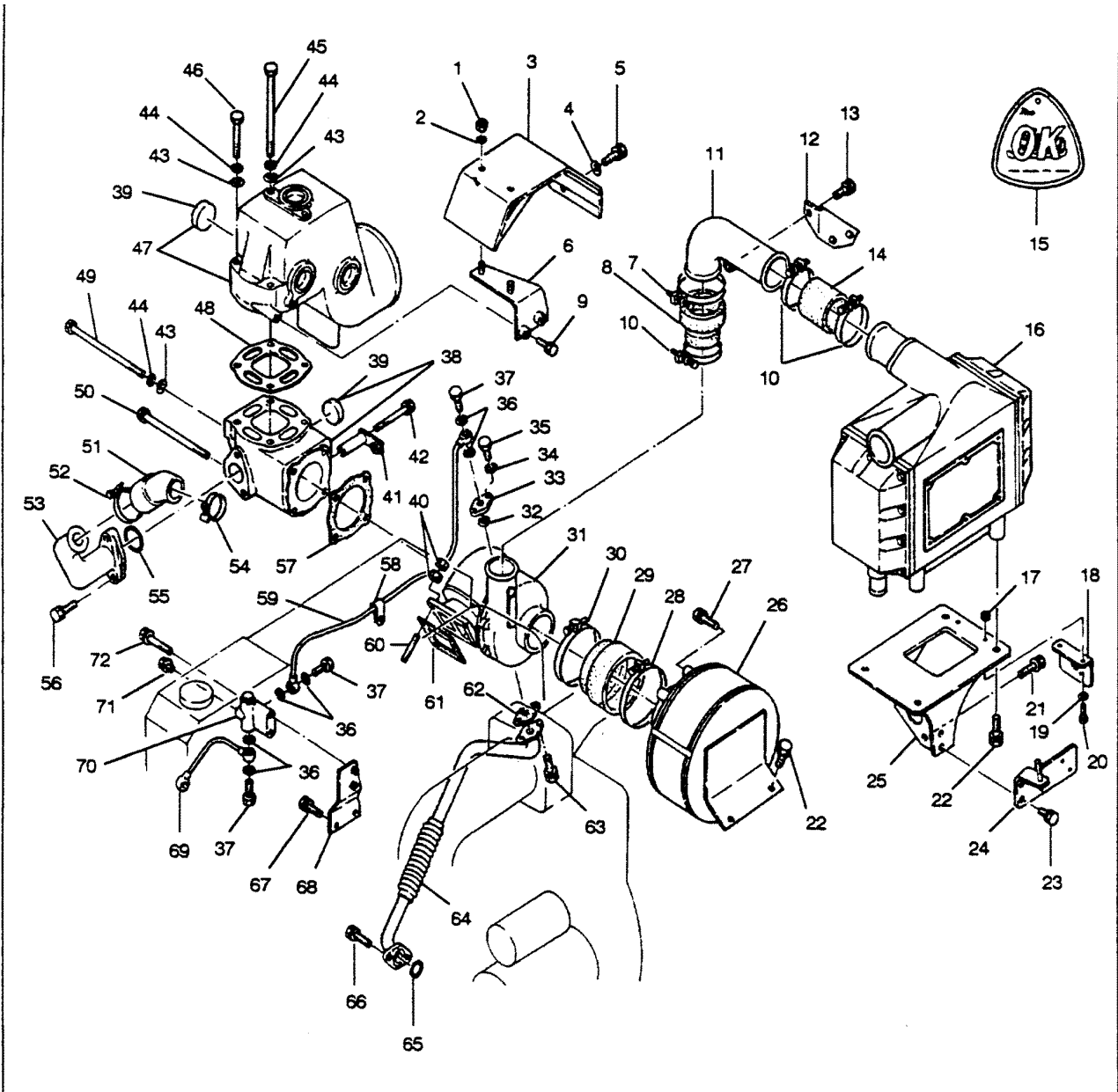
# TURBOCHARGER AND MISC COMPONENTS(ENGINE #EH700-T2188)



# TURBOCHARGER AND MISC COMPONENTS(ENGINE #EH700-T2188)

REF. NO.	PART NO.	SYM.	QTY.	DESCRIPTION
44	834511211		1	BRACKET
45	831110251		2	BOLT
46	830910141		2	NUT
47	830910142		8	NUT
48	831910110		2	BOLT
49	832910229		2	BOLT
50	836404420		1	CLAMP, HOSE
51	830234326		1	HOSE, WATER
52	836404820		1	CLAMP, HOSE
53	836911180		1	PIPE, COOLANT
54	831910127		2	BOLT
55	835135102		1	O-RING
56	830211080		1	OUTLET, EXHAUST CONTAINS #57, 58 USED ON ALL 2:1 RATIO M-GEARS ONLY
	FI1513133		1	OUTLET, EXHAUST - USED ON ALL 1.5:1 RATIO M-GEARS ONLY
57	835912111		1	WASHER, SOFT
58	833940104		1	PLUG
59	830431260		1	BRACKET
60	830413930		1	BRACKET
61	836008270		3	FLATWASHER
62	838108160		1	BOLT
63	830108070		2	NUT

# TURBOCHARGER AND MISC. COMPONENTS(ENGINE #EH700-T2189)



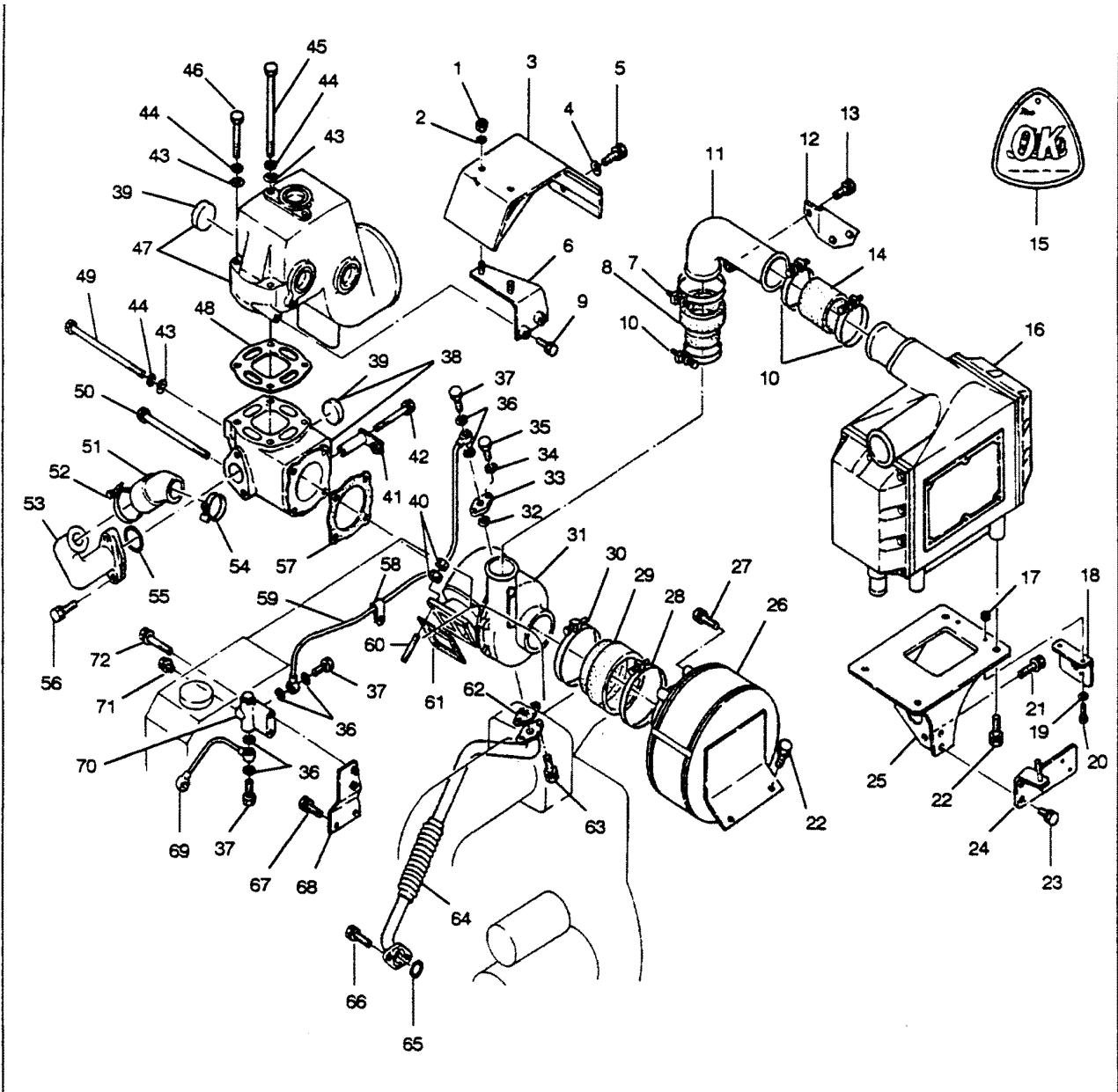


# TURBOCHARGER AND MISC. COMPONENTS(ENGINE #EH700-T2189)

REF. NO.	PART NO.	SYM.	QTY.	DESCRIPTION
1	830108070		2	NUT
2	836008270		2	FLATWASHER
3	830413930		1	BRACKET, EXHAUST RISER SUPPORT
4	836008270		1	FLATWASHER
5	838108160		1	BOLT
6	830431260		1	BRACKET, EXHAUST RISER SUPPORT
7	836607010		1	CLAMP
8	830233380		1	HOSE, AIR
9	839108302		2	BOLT
10	836975103		4	CLAMP
11	831132170		1	PIPE, AIR INLET
12	831361590		1	BRACKET, AIR INLET PIPE SUPPORT
13	839108202		1	BOLT
14	830233268		2	HOSE, AIR INLET
15	835794030		1	PLATE, CAUTION
16	833001040		1	INTERCOOLER ASSEMBLY - COMPONENTS, SEE FIG. 1-G7
17	830006050		2	NUT
18	839681360		1	BRACKET, SWITCH MOUNTING
19	836006140		2	FLATWASHER
20	831006160		2	BOLT
21	830114300		4	BOLT
22	839110300		6	BOLT
23	839108201		2	BOLT
24	836911221		1	BRACKET, SOLENOID MOUNTING
25	833021050		1	BRACKET, INTERCOOLER MOUNTING
26	837202610		1	CLEANER, AIR ASSEMBLY - COMPONENTS, SEE FIG. 1-I7
27	839110252		2	BOLT
28	836901112		1	CLAMP
29	830233375		1	HOSE, AIR
30	836994102		1	CLAMP
31	831001751		1	TURBOCHARGER ASSEMBLY - COMPONENTS, SEE FIG. 1-E7
32	835113103		1	O-RING
33	831371010		1	ADAPTOR, OIL SUPPLY
34	838006150		2	LOCKWASHER
35	831106300		2	BOLT
36	835912111		7	WASHER, SOFT
37	831912179		2	BOLT, OIL SUPPLY
38	830211080		1	ELBOW ASSEMBLY, EXHAUST - CONTAINS #39
39	833940104		6	PLUG, CORE
40	830910142		8	NUT
41	830431250		1	BRACKET
42	839108702		1	BOLT
43	836010220		4	FLATWASHER

CONTINUED ON NEXT PAGE ➡

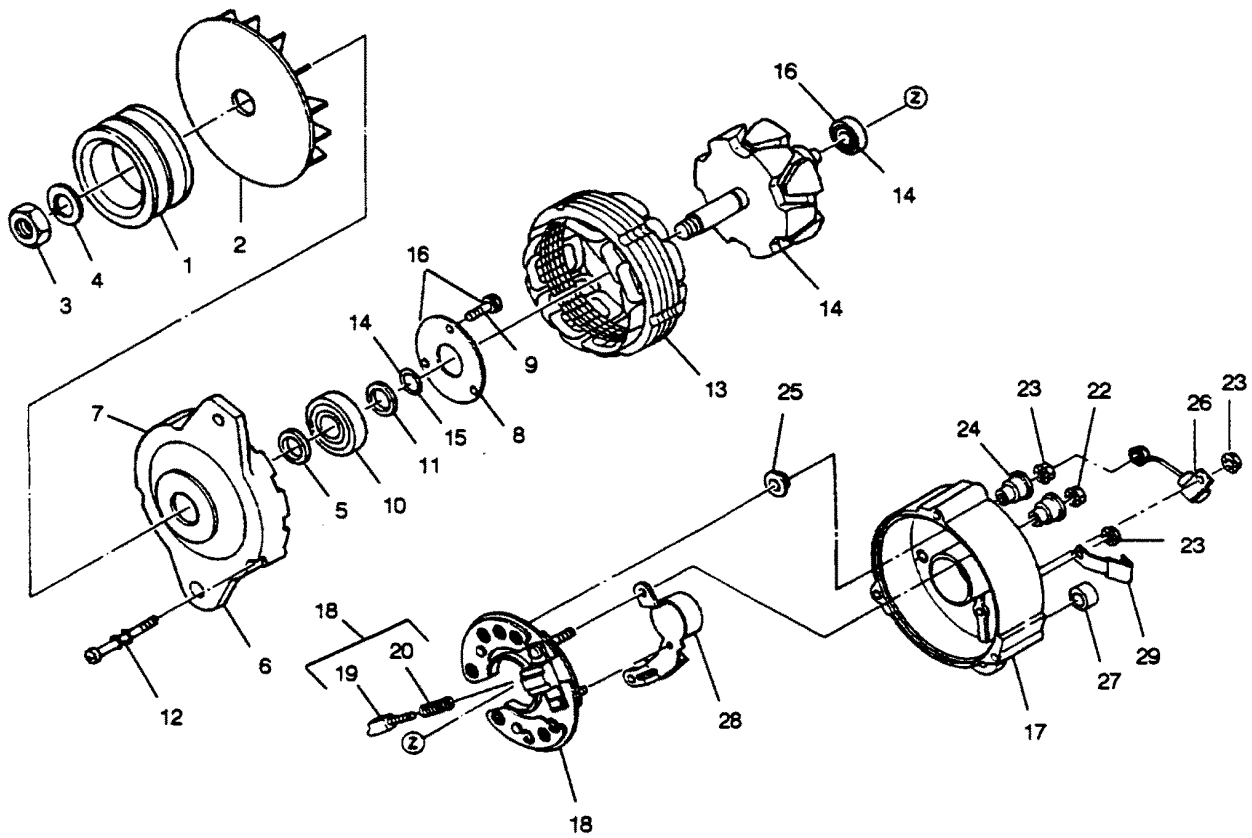
# TURBOCHARGER AND MISC. COMPONENTS(ENGINE #EH700-T2189)



# TURBOCHARGER AND MISC. COMPONENTS(ENGINE #EH700-T2189)

REF. NO.	PART NO.	SYM.	QTY.	DESCRIPTION
44	838010250		4	LOCKWASHER
45	832910195		2	BOLT
46	832910187		2	BOLT
47	830211111		1	RISER - CONTAINS #39
48	FI1517104		1	GASKET, RISER TO ELBOW
49	832910229		2	BOLT
50	831910110		2	BOLT
51	830234326		1	HOSE, WATER
52	836404820		1	CLAMP
53	836911180		1	PIPE, COOLANT
54	836404420		1	CLAMP
55	835135102		1	O-RING
56	831910127		2	BOLT
57	831791090		1	GASKET, ELBOW TO TURBO
58	839041380		1	CLIP - OIL PIPE RETAINER
59	831711400		1	PIPE, OIL SUPPLY
60	836910106		4	STUD
61	831041111		1	GASKET, TURBO TO MANIFOLD ADAPTOR
62	831351050		1	GASKET, TURBO DRAIN PIPE
63	838106200		2	BOLT
64	831071060		1	PIPE, TURBO OIL DRAIN
65	835131103		1	O-RING, TURBO OIL DRAIN
66	838110250		2	BOLT
67	838108200		2	BOLT
68	831921041		1	BRACKET, TURBO OIL DRAIN PIPE, SUPPORT
69	831711080		1	PIPE, OIL SUPPLY
70	836021070		1	VALVE
71	830912102		1	PLUG
72	839108651		2	BOLT

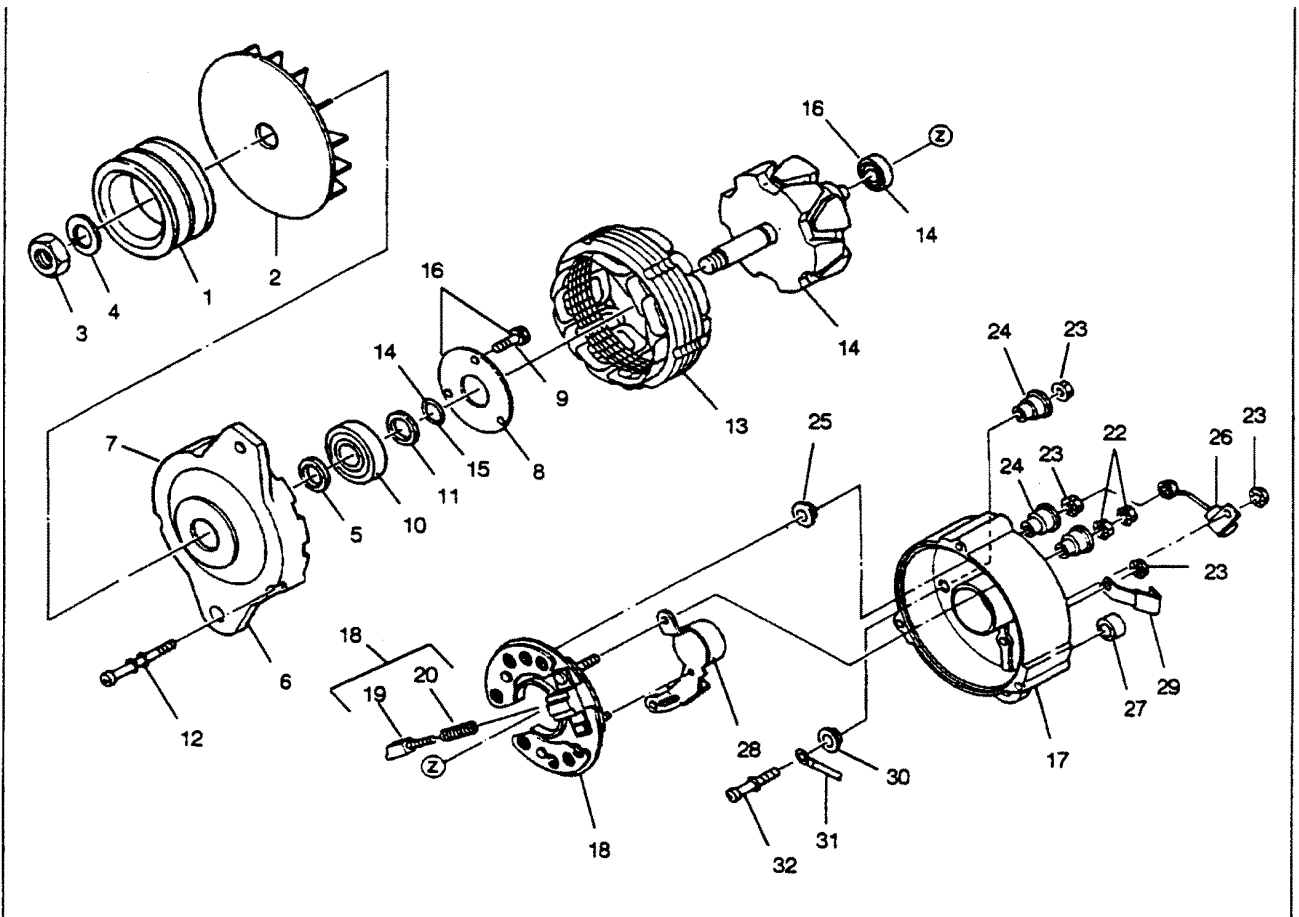
# ALTERNATOR FIGURE 1-16



## ALTERNATOR FIGURE 1-16

REF. NO.	PART NO.	SYM.	QTY.	DESCRIPTION
-	<b>830401240</b>		1	<b>ALTERNATOR ASSEMBLY</b>
1	834311380		1	PULLEY
2	834411170		1	FAN
3	831016080		1	NUT
4	839016480		1	LOCKWASHER
5	834121140		1	COLLAR, SPACER
6	833101510		1	FRAME ASSEMBLY
7	833111450		1	FRAME, DRIVE END
8	833121520		1	PLATE, RETAINER
9	833621090		3	BOLT
10	838120122		1	FORWARD BEARING
11	834121150		1	SPACER
12	833171440		3	BOLT
13	834101600		1	STATOR
14	833301530		1	ROTOR ASSEMBLY
15	833331030		1	SPACER
16	838112102		1	BEARING, AFT
17	833591790		1	FRAME, RECTIFIER END
18	833561220		1	HOLDER WITH RECTIFIER
19	833711050		2	BRUSHES
20	833761030		2	HOLDER, BRUSH
21	833871150		1	INSULATOR
22	830106050		1	NUT
23	830105040		3	NUT
24	833871160		1	INSULATOR
25	833871170		1	INSULATOR
26	833551180		1	SUPPRESSOR
27	833511020		1	BUSHING
28	837001520		1	REGULATOR, VOLTAGE
29	834451190		1	CLAMP, WIRE

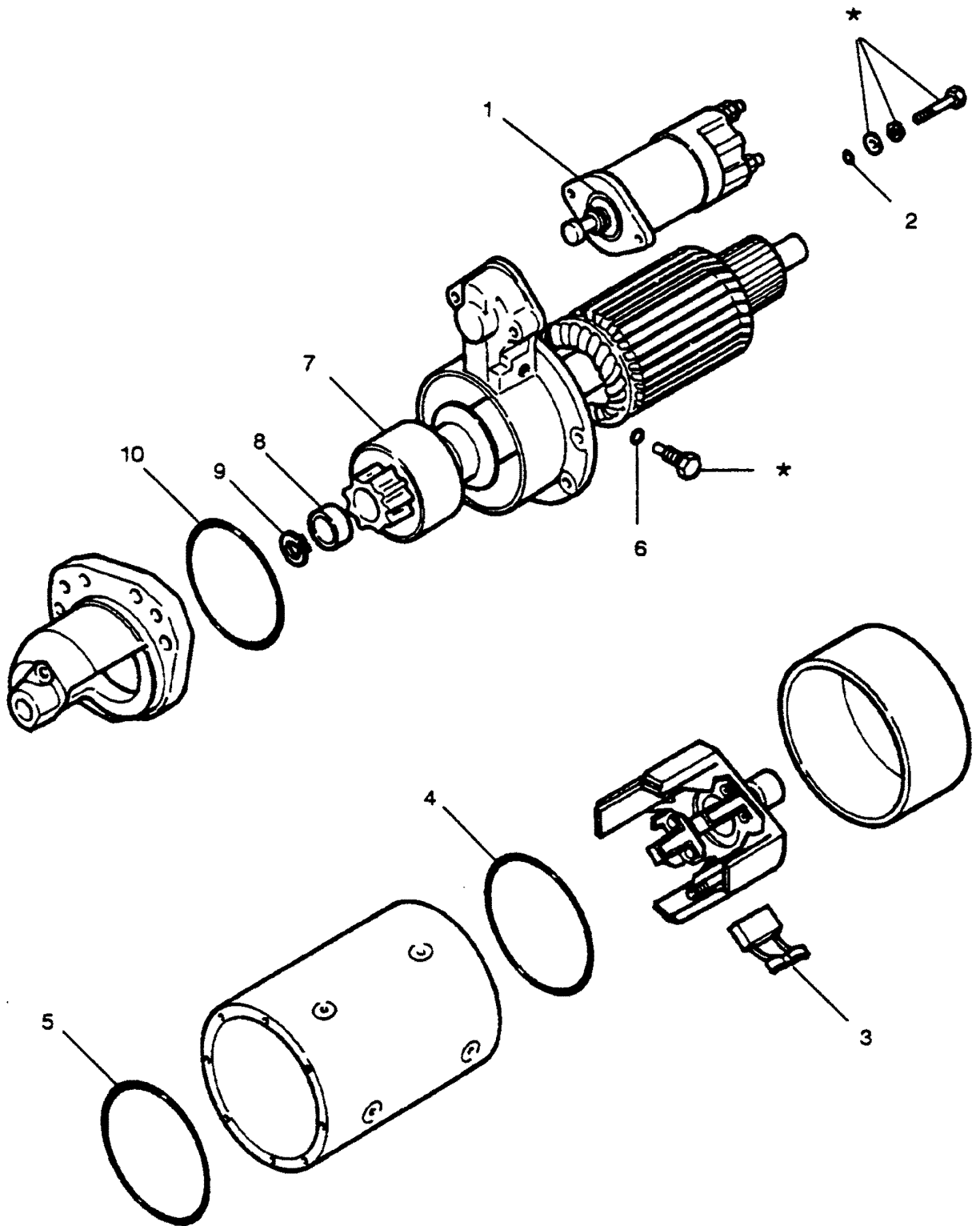
# ALTERNATOR FIGURE 1-J6



## ALTERNATOR FIGURE 1-J6

REF. NO.	PART NO.	SYM.	QTY.	DESCRIPTION
-	<b>830401240</b>		1	<b>ALTERNATOR ASSEMBLY</b>
1	834311380		1	PULLEY
2	834411170		1	FAN
3	831016080		1	NUT
4	839016480		1	LOCKWASHER
5	834121140		1	COLLAR, SPACER
6	833101510		1	FRAME ASSEMBLY
7	833111450		1	FRAME, DRIVE END
8	833121520		1	PLATE, RETAINER
9	833621090		3	BOLT
10	838120122		1	FORWARD BEARING
11	834121150		1	SPACER
12	833171440		3	BOLT
13	834101600		1	STATOR
14	833301530		1	ROTOR ASSEMBLY
15	833331030		1	SPACER
16	838112102		1	BEARING, AFT
17	833591810		1	FRAME, RECTIFIER END
18	833561220		1	HOLDER WITH RECTIFIER
19	833711050		2	BRUSHES
20	833761030		2	HOLDER, BRUSH
21	833871150		1	INSULATOR
22	830106050		1	NUT
23	830105040		4	NUT
24	833871160		1	INSULATOR
25	833871170		1	INSULATOR
26	833551180		1	SUPPRESSOR
27	833511020		1	BUSHING
28	837001520		1	REGULATOR, VOLTAGE
29	834451190		1	CLAMP, WIRE
30	833781600		1	INSULATOR TERMINAL
31	833651080		1	WIRE, LEAD
32	833641450		1	BOLT, TERMINAL

# STARTER MOTOR FIGURE 1-A7

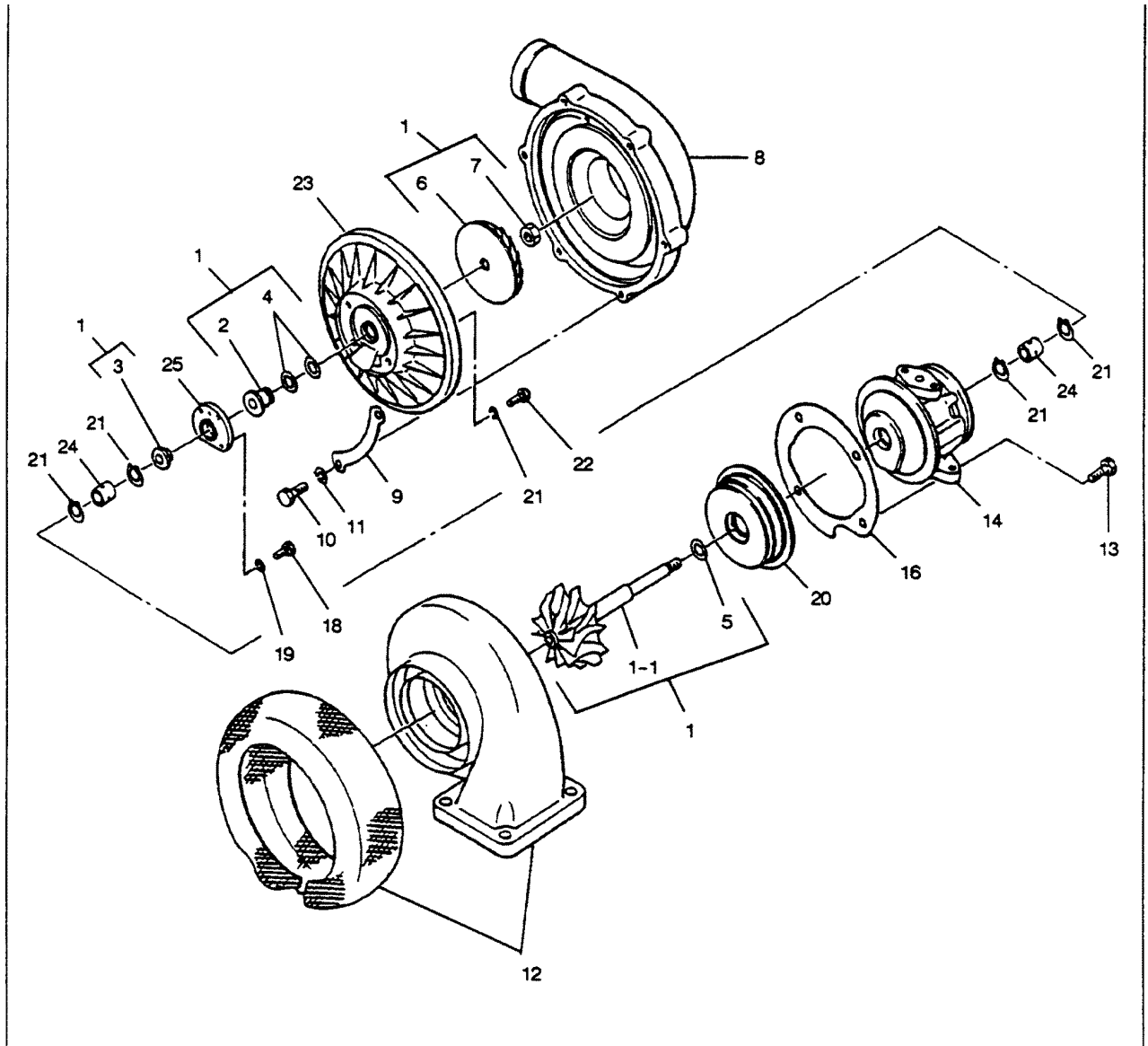




## STARTER MOTOR FIGURE 1-A7

REF. NO.	PART NO.	SYM.	QTY.	DESCRIPTION
1	831501670		1	SOLENOID, STARTER
2	835106118		4	O-RING
3	831421240		4	BRUSHES
4	831381240		1	O-RING
5	835101174		1	O-RING
6	835111110		1	O-RING
7	830111310		1	BENDIX, STARTER DRIVE
8	831021070		1	SPACER
9	831681320		1	RING, RETAINER
10	831381250		1	O-RING
-	<b>831001671</b>		<b>1</b>	<b>STARTER MOTOR ASSEMBLY</b>

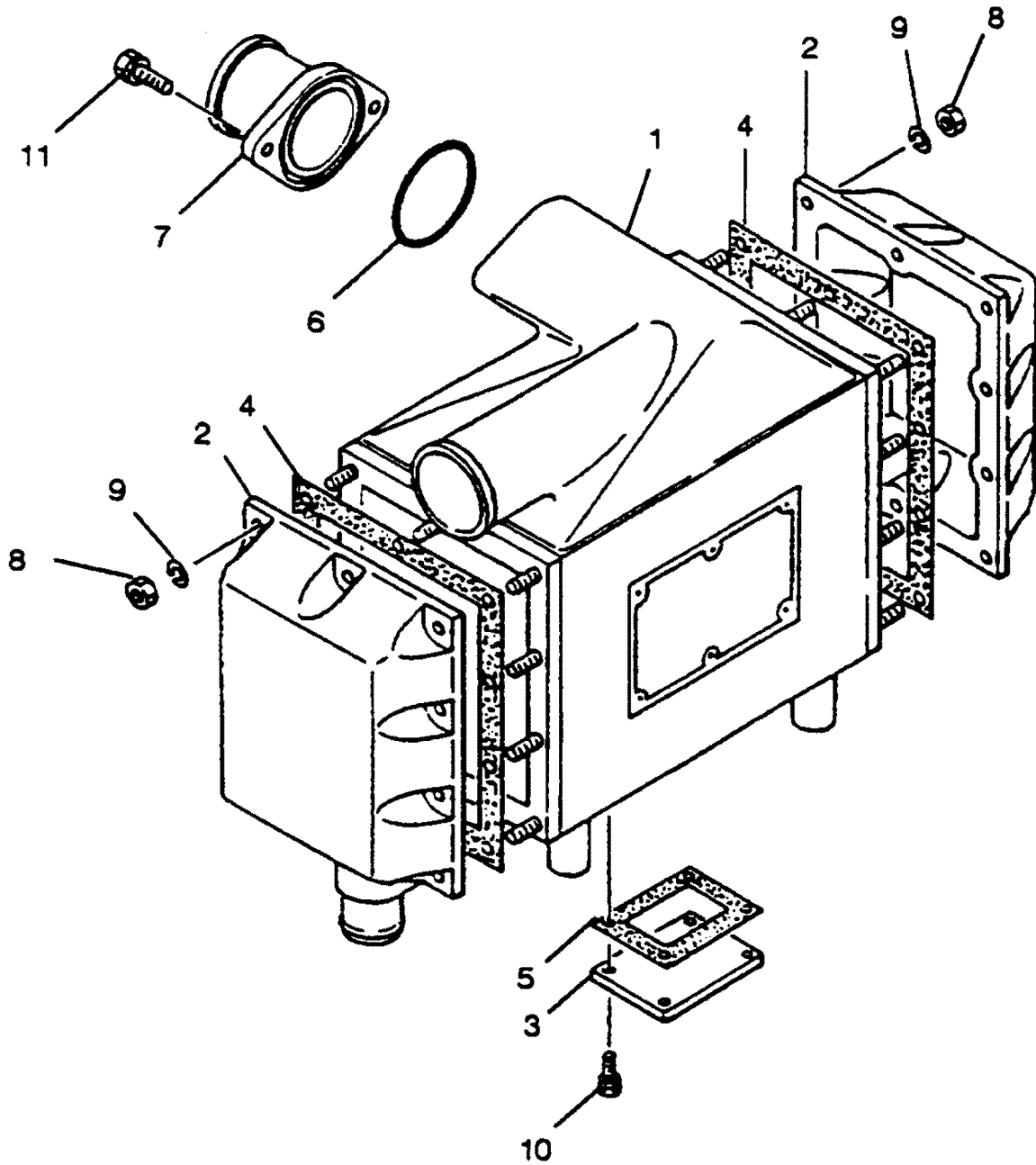
# TURBOCHARGER FIGURE 1-E7



## TURBOCHARGER FIGURE 1-E7

REF. NO.	PART NO.	SYM.	QTY.	DESCRIPTION
-	831001751		1	TURBOCHARGER ASSEMBLY
1	831501050		1	ROTOR ASSEMBLY
1-1	831151020		1	ROTOR, TURBINE
2	831161020		1	SLINGER, OIL
3	831421070		1	SPACER, THRUST
4	831241190		2	SEAL, RING
5	831241170		1	SEAL, RING
6	831171140		1	NUT, LOCK
7	831181020		1	IMPELLER, CHARGE AIR
8	831141040		1	CASE, COMPRESSOR
9	831231110		3	PLATE
10	831451130		6	BOLT
11	838006150		6	LOCKWASHER
12	831111110		1	CASE, HOT SECTION
13	831451100		4	BOLT
14	831211040		1	CASE, BEARING
16	831231120		1	PLATE
18	831361070		4	SCREW
19	831131160		4	PLATE, LOCK
20	831411030		1	SHIELD, HEAT
21	831131120		4	PLATE, LOCK
22	831361040		4	SCREW
23	831271020		1	BACKING PLATE
24	831311110		2	BEARING
25	831431040		1	BEARING, THRUST

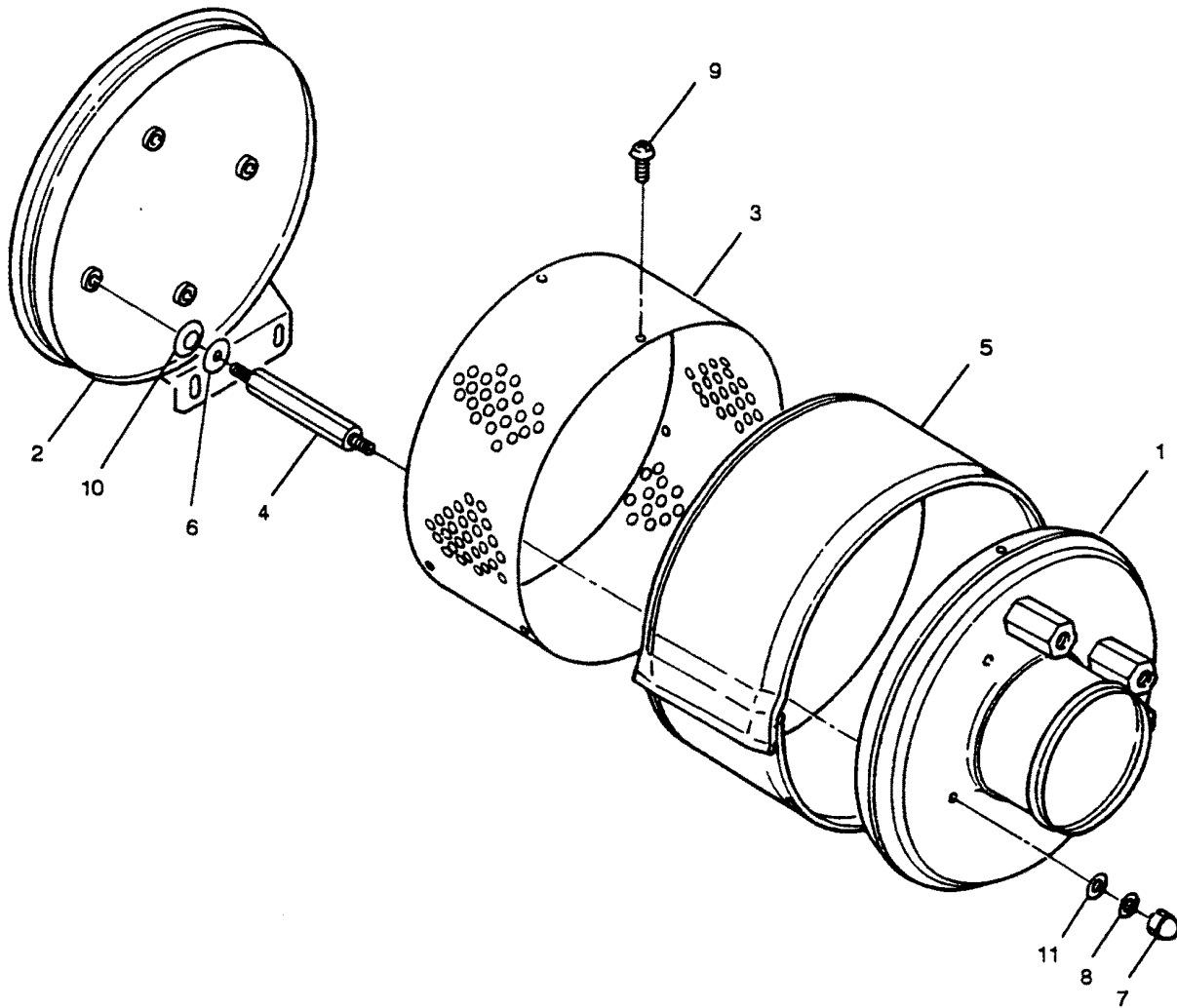
# INTERCOOLER ASSEMBLY FIGURE 1-G7



# INTERCOOLER ASSEMBLY FIGURE 1-G7

REF. NO.	PART NO.	SYM.	QTY.	DESCRIPTION
-	<b>833001040</b>		1	<b>INTERCOOLER ASSEMBLY COMPLETE</b>
1	833041050		1	CORE, INNERCOOLER AND STUD
2	833051010		2	TANK, INNERCOOLER
3	833171010		1	PLATE, INSPECTION
4	833141040		2	GASKET, TANK TO CORE
5	833141050		1	GASKET, INSPECTION COVER
6	835159105		1	O-RING
7	833161010		1	PIPE, INNERCOOLER
8	830108070		20	NUT, STAINLESS STEEL
9	838008200		20	LOCKWASHER, STAINLESS STEEL
10	838106200		4	BOLT, STAINLESS STEEL
11	838108250		2	BOLT, STAINLESS STEEL

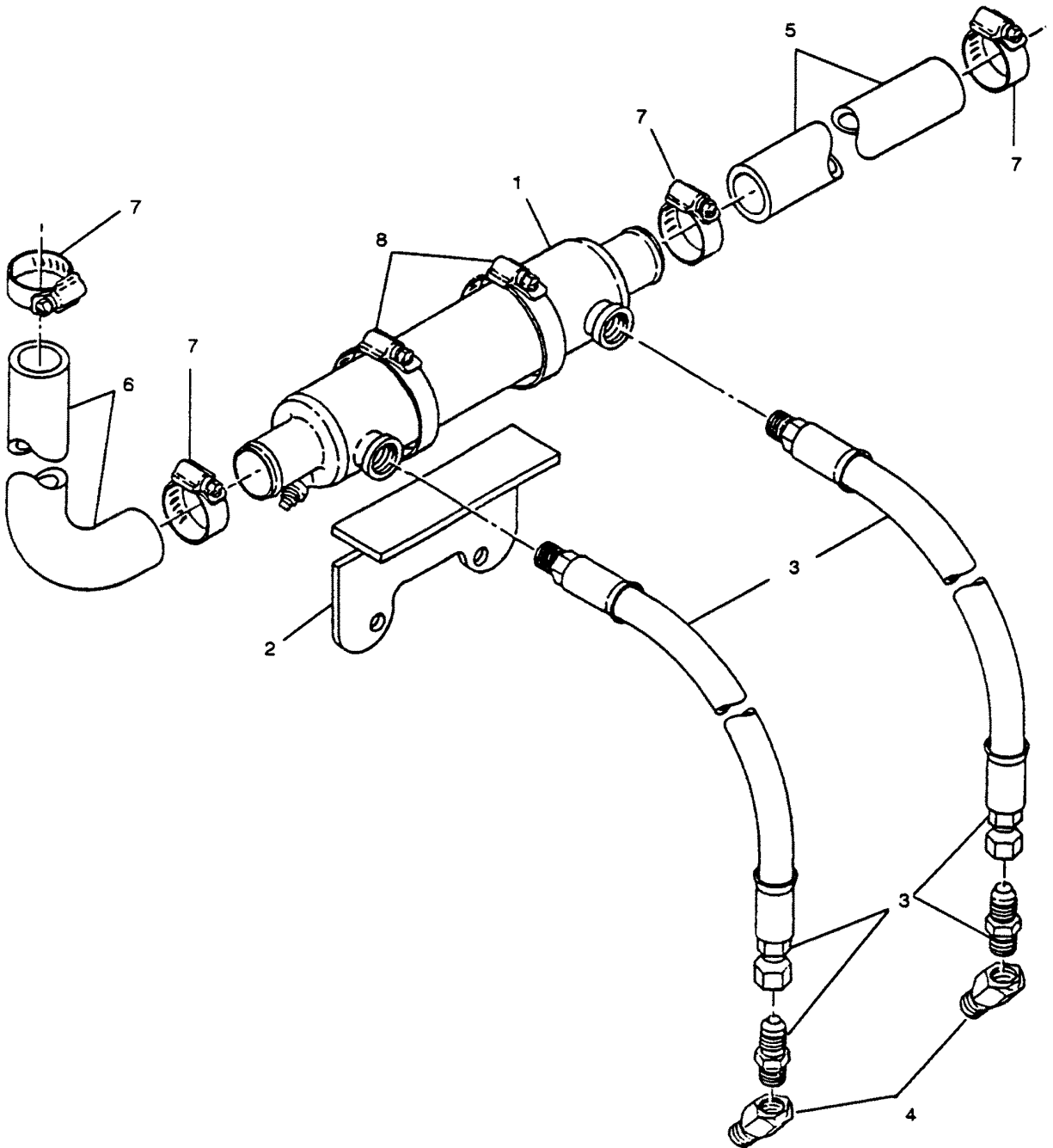
# AIR CLEANER - SILENCER FIGURE 1-17



## AIR CLEANER - SILENCER FIGURE 1-17

REF. NO.	PART NO.	SYM.	QTY.	DESCRIPTION
-	837202610		1	CLEANER ASSEMBLY, AIR
1	837012240		1	BODY, CLEANER TO TURBO
2	837012250		1	BODY, END
3	838012130		1	SCREEN
4	834999976		4	STUD
5	838012130		1	SOCK, CLEANER
6	836006220		4	FLATWASHER
7	837151060		4	NUT, CAP
8	838006150		4	LOCKWASHER
9	838004080		3	SCREW
10	838112210		4	LOCKWASHER, INTERNAL
11	836006140		4	FLATWASHER

# GEAR OIL COOLING SYSTEM (MODELS WITH TWIN DISK M-GEARS ONLY)

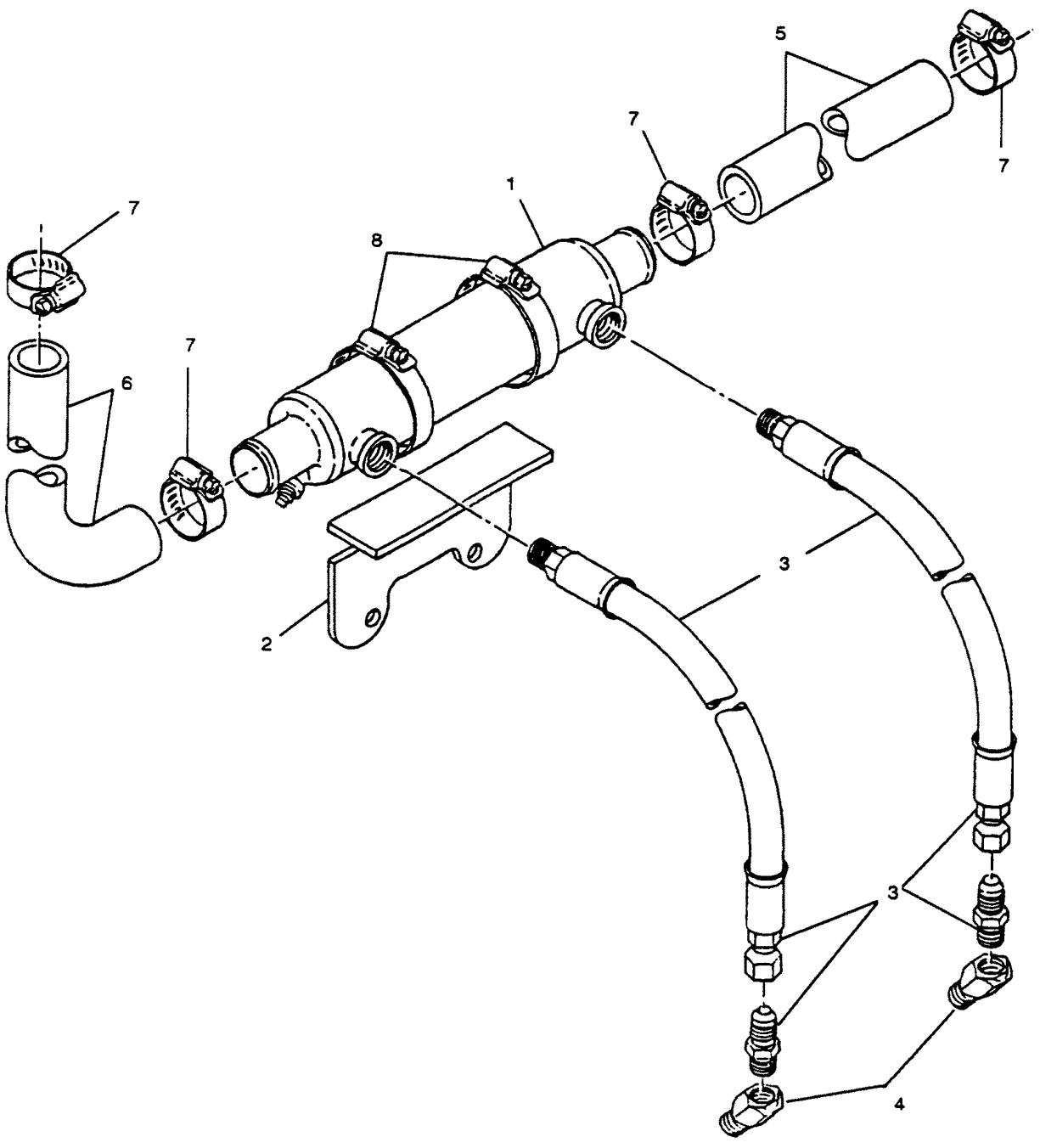




## GEAR OIL COOLING SYSTEM (MODELS WITH TWIN DISK M-GEARS ONLY)

REF. NO.	PART NO.	SYM.	QTY.	DESCRIPTION
1	FI159790		1	OIL COOLER, GEAR
2	FI159941		1	MOUNTING BRACKET, GEAR OIL COOLER
3	FI1510435		2	HOSE ASSEMBLY, GEAR OIL COOLER
4	FI1510412		2	FITTING, BRASS
5	LOCALSUP		1	1-1/4 ID X 21"
6	FI5410179		1	HOSE, MOLDED
7	FI5537304		4	CLAMP, HOSE
8	FI5538480		2	CLAMP, OIL COOLER TO MOUNTING BRACKET

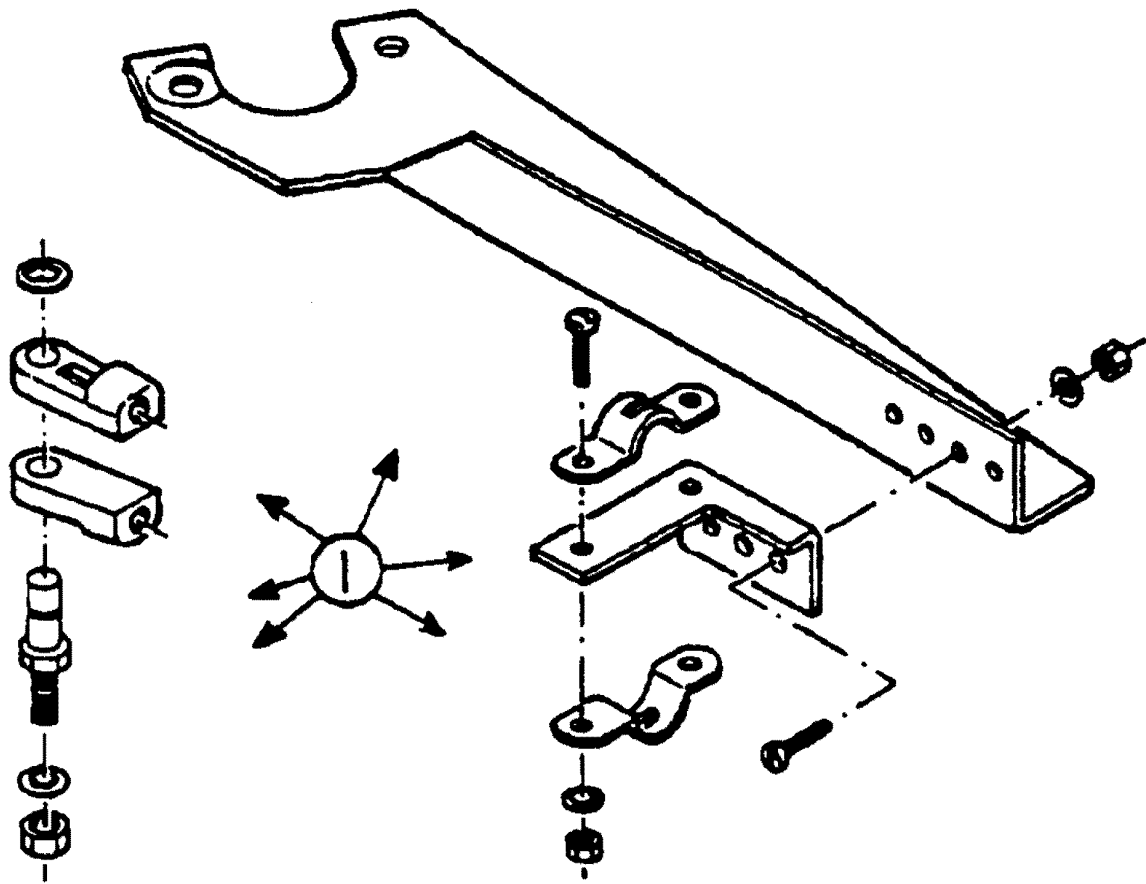
# GEAR OIL COOLING SYSTEM (MODELS WITH HURTH M-GEARS ONLY)



## GEAR OIL COOLING SYSTEM (MODELS WITH HURTH M-GEARS ONLY)

REF. NO.	PART NO.	SYM.	QTY.	DESCRIPTION
1	FI9908780		1	OIL COOLER, GEAR
2	FI7000227		1	BRACKET, GEAR OIL COOLER MOUNTING
3	FI9500301		2	LINE ASSEMBLY, OIL COOLER
4	FI5917994		2	FITTING, BRASS
5	FI5410178		1	HOSE, 1-1/8 ID X 20"
6	FI5410179		1	HOSE, MOLDED
7	FI5537304		4	CLAMP, HOSE
8	FI5538480		2	CLAMP, OIL COOLER TO MOUNTING BRACKET

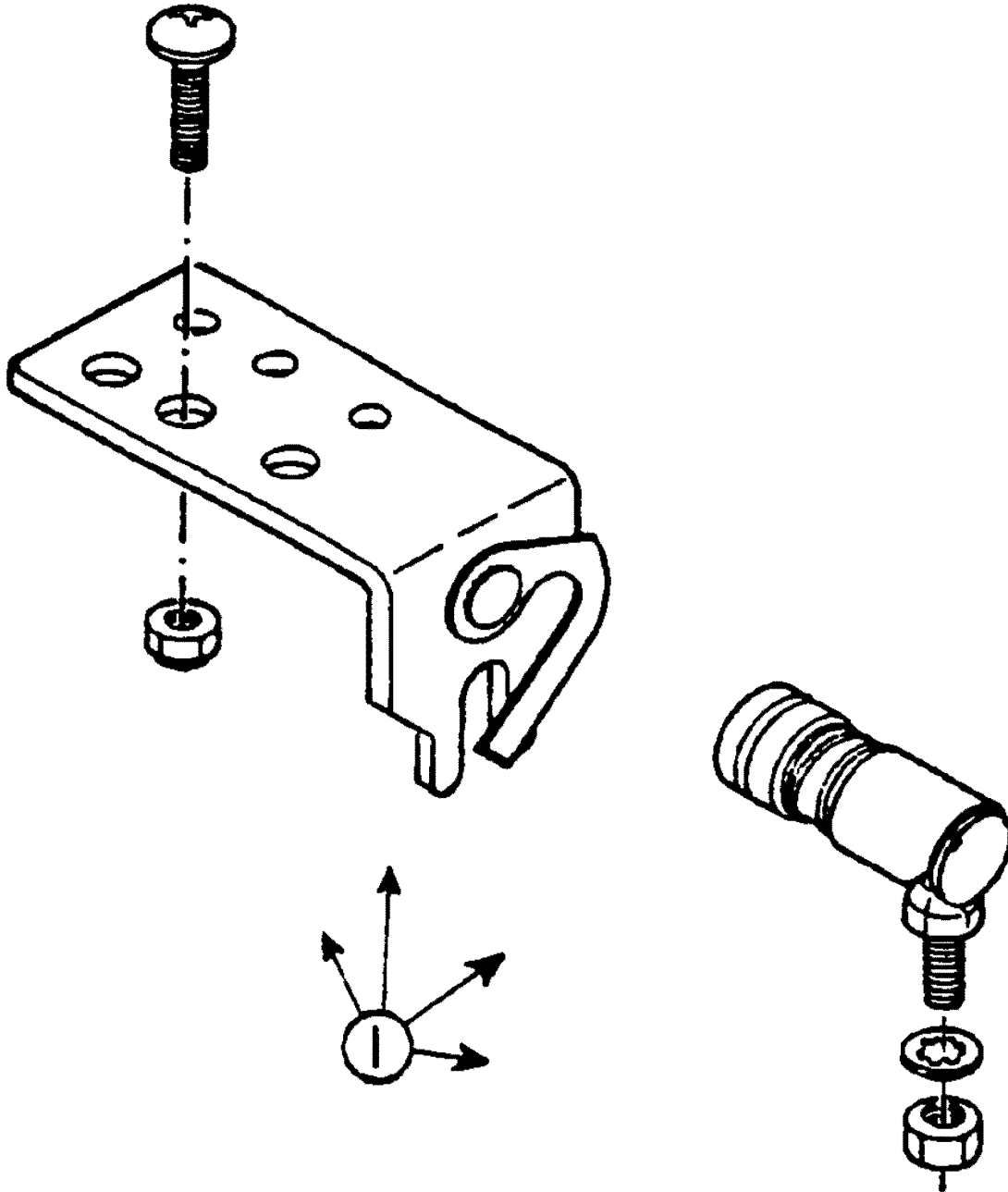
# THROTTLE AND SHIFT LINKAGE FIGURE 19



# THROTTLE AND SHIFT LINKAGE FIGURE 19

REF. NO.	PART NO.	SYM.	QTY.	DESCRIPTION
1	FI153509		1	LINKAGE CONNECTIONS - TWIN DISK MODELS ONLY
	FI9608676		1	LINKAGE CONNECTIONS - HURTH M-GEAR ONLY

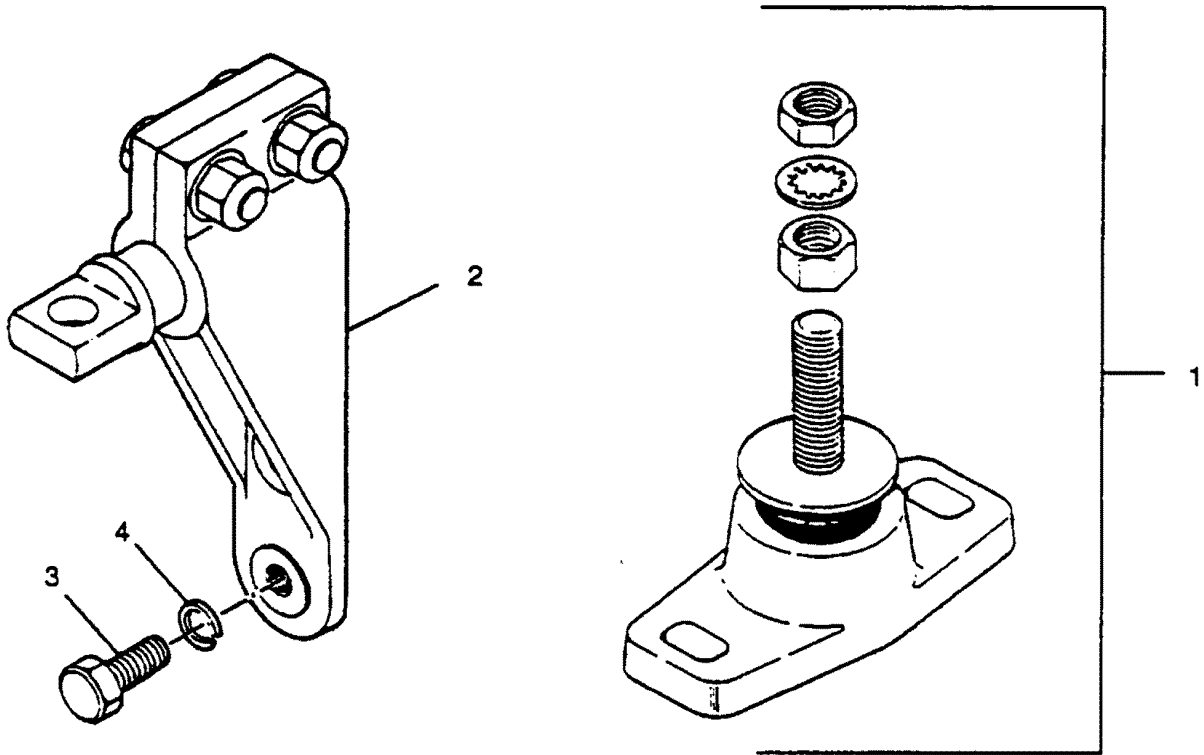
# THROTTLE AND SHIFT LINKAGE FIGURE 20



## THROTTLE AND SHIFT LINKAGE FIGURE 20

REF. NO.	PART NO.	SYM.	QTY.	DESCRIPTION
1	FI9608736		1	THROTTLE CONNECTION - ALL MODELS

# ENGINE MOUNTS AND BREATHER FIGURE 21

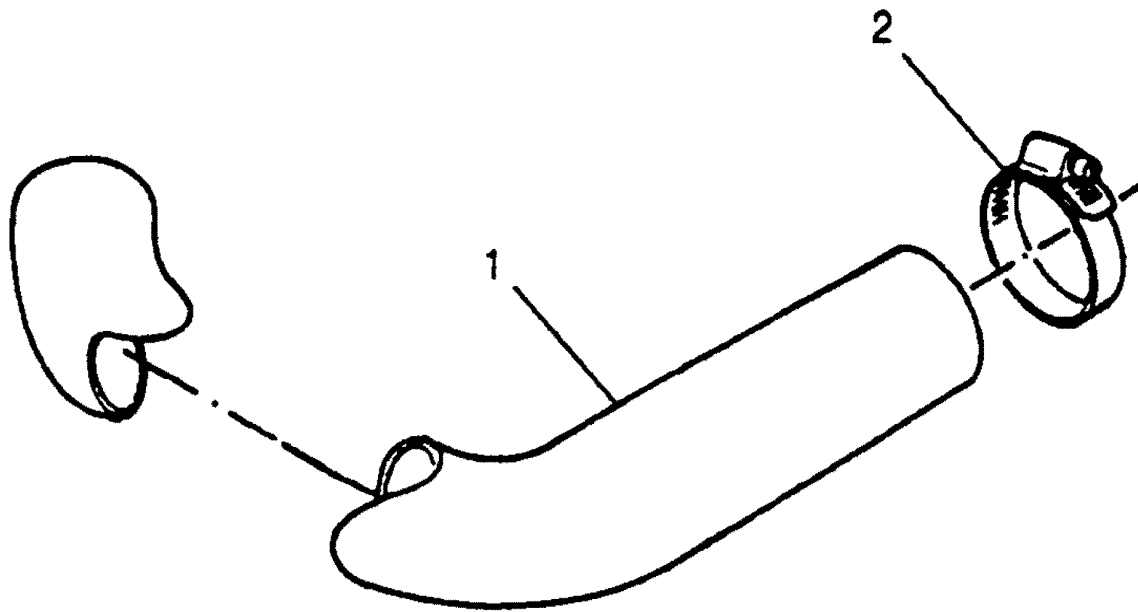




## ENGINE MOUNTS AND BREATHER FIGURE 21

REF. NO.	PART NO.	SYM.	QTY.	DESCRIPTION
1	FI159791		4	MOUNTS, ENGINE - ALL GEAR MODELS
2	FI159793		2	MOUNT, TRANSMISSION - TWIN DISK MODELS ONLY
3	FI1510840		4	BOLT 1/2" - 13 X 1-1/4" - TWIN DISK MODELS ONLY
4	FI1510841		4	LOCKWASHER, 1/2"

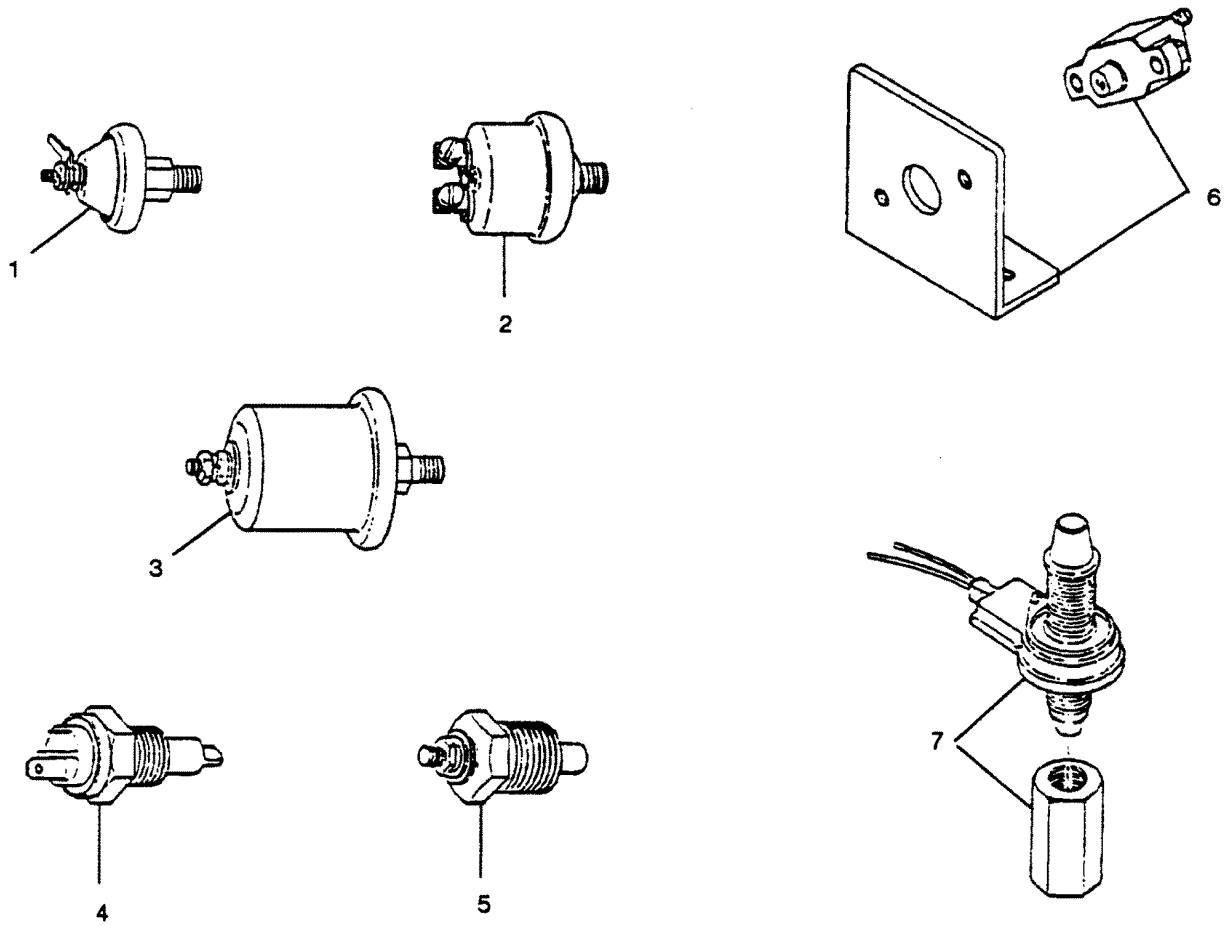
# ENGINE MOUNTS AND BREATHER FIGURE 22



## ENGINE MOUNTS AND BREATHER FIGURE 22

REF. NO.	PART NO.	SYM.	QTY.	DESCRIPTION
1	FI5410178		1	HOSE, 1-1/8" ID X 20"
2	FI151549		1	CLAMP, HOSE

# ELECTRICAL COMPONENTS FIGURE 23



## ELECTRICAL COMPONENTS FIGURE 23

REF. NO.	PART NO.	SYM.	QTY.	DESCRIPTION
1	FI6900193		1	SWITCH, OIL PRESSURE ALARM
2	FI6900192		1	INTERRUPTOR
3	FI6900199		1	SENDER, DUAL STATION OIL PRESSURE
	FI6900197		1	SENDER, SINGLE STATION OIL PRESSURE
4	FI6900196		1	SWITCH, WATER TEMP 220-F
5	FI6900200		1	SENDER, DUAL STATION WATER TEMPERATURE
	FI6900198		1	SENDER, SINGLE STATION WATER TEMPERATURE
6	FI1510477		1	BREAKER, CIRCUIT 40 AMP
7	FI157876		1	SENDER, TACHOMETER

# PARTS INDEX

Part Number	Description	Pg.	Ref. No.	Part Number	Description	Pg.	Ref. No.
156071220	SET, OIL FILTER ELEMENT - CONTAINS #32, 34, 39 . . .	31	33	830115214	GASKET, INJECTION NOZZLE SEAT . . . . .	3	7
830004060	BALL, STEEL . . . . .	3	20	830115215	GASKET, AIR INLET PIPE TO AIR HEATER . . . . .	23	36
830006050	NUT . . . . .	55	13	830115216	GASKET, COOLANT DRAIN PETCOCK . . . . .	9	8
830006050	NUT . . . . .	63	17	830115217	GASKET . . . . .	47	7
830008070	NUT . . . . .	23	28	830115218	GASKET, OIL LEVEL GAUGE GUIDE . . . . .	9	37
830008070	NUT . . . . .	35	10	830115219	GASKET, FLANGE . . . . .	9	4
830010080	NUT . . . . .	9	27	830115229	GASKET, RAW WATER OUTLET . . . . .	47	22
830010080	NUT . . . . .	27	38	830116148	SPACER, CRANK PULLEY RETAINER . . . . .	15	18
830101190	FILTER ASSEMBLY, FUEL EXPORT . . . . .	37	54	830116156	SPACER, COMPRESSION . .	21	13
830105040	NUT . . . . .	67	23	830116160	SPACER, WATER GALLERY COVER BOLT . . . . .	9	18
830105040	NUT . . . . .	69	23	830116279	SPACER, BOLT, ENGINE HANGER . . . . .	13	4
830106050	NUT . . . . .	55	7	830116335	SPACER, STARTER TO FLYWHEEL HOUSING . . .	13	11
830106050	NUT . . . . .	67	22	830116343	SPACER, TOR. DRIVE . . . .	17	50
830106050	NUT . . . . .	69	22	830118150	NUT . . . . .	51	1
830106050	NUT . . . . .	69	22	830119118	CLIP, COOLANT PIPE . . . .	23	24
830108070	NUT . . . . .	9	30	830121110	SET, BEARINGS, CRANKSHAFT THRUST - .010 O.S. . . . .	15	-
830108070	NUT . . . . .	35	23	830121112	COVER ASSEMBLY, OIL PUMP . . . . .	33	3
830108070	NUT . . . . .	47	28	830124137	BOLT, IDLER RETAINER . . .	19	8
830108070	NUT . . . . .	61	63	830124138	BOLT, IDLER SHAFT . . . . .	19	12
830108070	NUT . . . . .	63	1	830124158	BOLT, ROCKER ARM SHAFT SUPPORT . . . . .	21	9
830108070	NUT, STAINLESS STEEL . . .	75	8	830124277	BOLT, TURBO OIL SUPPLY . .	27	1
830110080	NUT . . . . .	47	36	830124297	BOLT, OIL WITHDRAWAL HOSE . . . . .	9	43
830110080	NUT . . . . .	55	25	830126105	LOCK, VALVE SPRING RETAINER . . . . .	21	15
830110080	NUT . . . . .	57	43	830129119	COLLAR, FLYWHEEL ALIGNMENT . . . . .	17	37
830110160	BOLT, FLANGE . . . . .	7	14	830129127	COLLAR . . . . .	51	8
830110250	BOLT . . . . .	47	35	830129176	COLLAR, CAMSHAFT GEAR NUT . . . . .	19	6
830110300	BOLT, EXHAUST MANIFOLD/HEAT EXCHANGER SUPPORT . .	23	10	830146187	THERMOSTAT . . . . .	49	53
830110650	BOLT, EXHAUST MANIFOLD/HEAT EXCHANGER SUPPORT . .	23	11	830149104	V-BELT, RAW WATER PUMP DRIVE . . . . .	47	33
830111110	SET, BEARINGS, CRANKSHAFT THRUST - STD. . . . .	15	28	830149119	V-BELT SET, ALTERNATOR AND ENGINE WATER CIR. PUMP . . . . .	55	28
830111310	BENDIX, STARTER DRIVE . .	71	7	830210101	FITTING, LUBRICATION . . .	51	18
830112070	SET, PISTON RINGS - SERVICES 6 PISTONS . . .	15	9	830211080	ELBOW ASSEMBLY, EXHAUST - CONTAINS #39 . . . . .	63	38
830112090	SET, PISTON RINGS - SERVICES 6 PISTONS . . .	15	-	830211080	OUTLET, EXHAUST . . . . .	61	56
830112250	BOLT, STARTER TO FLYWHEEL HOUSING . . .	13	13	830211111	RISER - CONTAINS #39 . . .	65	47
830112400	BOLT, STARTER TO FLYWHEEL HOUSING . . .	13	12	830211159	FLANGE . . . . .	9	3
830113120	HELICOIL, INJECTION PUMP MOUNTING BRACKET . . .	9	22	830211250	ADAPTOR, RAW WATER SUCTION . . . . .	47	23
830113120	HELICOIL, REAR CRANKSHAFT SEAL RETAINER . . . . .	17	32	830231120	PIPE, RAW WATER OUTLET	47	27
830113120	HELICOIL, TIMING GEAR COVER . . . . .	13	21	830233268	HOSE, AIR . . . . .	59	7
830114110	NUT . . . . .	55	32				
830114300	BOLT . . . . .	25	45				
830114300	BOLT . . . . .	59	10				
830114300	BOLT . . . . .	63	21				
830114300	BOLT, TURBO ADAPTOR SUPPORT . . . . .	23	21				
830115141	GASKET, TACH DRIVE COVER . . . . .	13	24				

# PARTS INDEX

Part Number	Description	Pg.	Ref. No.	Part Number	Description	Pg.	Ref. No.
830233268	HOSE, AIR INLET	63	14	830912102	PLUG	65	71
830233375	HOSE, AIR	59	16	830912103	PIN	7	9
830233375	HOSE, AIR	63	29	830912116	BOLT, FLYWHEEL HOUSING TO ENGINE BLOCK	13	10
830233380	AIR HOSE	59	2	830912123	BOLT, ENGINE HANGER	13	3
830233380	HOSE, AIR	63	8	830914103	PIN	7	5
830234121	NOSE, COOLANT DRAIN PETCOCK	9	12	830918104	PLUG, OIL PAN	11	46
830234144	HOSE, 90- WATER	29	53	830920102	PLUG	27	15
830234165	HOSE, WATER	23	23	830922103	PLUG	31	15
830234167	HOSE, WATER	47	3	830927103	NUT, CRANK PULLEY RETAINER	15	17
830234169	HOSE, WATER	49	46	831001170	PUMP ASSEMBLY, COOLANT	51	1A5
830234326	HOSE, WATER	61	51	831001170	PUMP ASSEMBLY, COOLANT - COMPONENTS, SEE FIG.	47	5
830234326	HOSE, WATER	65	51	831001501	TURBOCHARGER ASSEMBLY, - COMPONENTS, SEE FIG	59	18
830234337	HOSE, WATER	47	1	831001671	STARTER ASSEMBLY - COMPONENTS, SEE FIG.	55	26
830234363	HOSE, WATER	47	21	831001671	STARTER MOTOR ASSEMBLY	71	-
830235125	CONNECTOR, PIPE	27	6	831001751	TURBOCHARGER ASSEMBLY	73	-
830301852	PUMP ASSEMBLY, INJECTOR	35	15	831001751	TURBOCHARGER ASSEMBLY - COMPONENTS, SEE FIG.	63	31
830305100	PIN, STRAIGHT	33	2	831002480	PUMP ASSEMBLY, RAW WATER	53	1C5
830401240	ALTERNATOR ASSEMBLY	67	-	831002480	RAW WATER PUMP - COMPONENTS, SEE FIG.	47	31
830401240	ALTERNATOR ASSEMBLY	69	-	831006040	NUT, LOCK	55	15
830401261	ALTERNATOR ASSEMBLY - COMPONENTS, SEE FIG. 1-H6	57	42	831006160	BOLT	63	20
830404080	PIN, THRUST BEARING	7	18	831008200	SCREW, PUMP COVER	51	17
830404100	PIN, STRAIGHT - IDLER SHAFT	19	17	831008280	STUD	23	26
830408200	PIN, STRAIGHT	7	10	831010251	BOLT, CRANKCASE BREATHER	5	16
830410110	PLUG	3	17	831011782	PAN, OIL	11	51
830410240	PIN, STRAIGHT	17	42	831016080	NUT	67	3
830413930	BRACKET	61	60	831016080	NUT	69	3
830413930	BRACKET, EXHAUST RISER SUPPORT	63	3	831021070	SPACER	71	8
830431250	BRACKET	59	26	831041030	SEAL ASSEMBLY	51	14
830431250	BRACKET	63	41	831041090	EXHAUST MANIFOLD/HEAT EXCHANGER TO TURBO ADAPTOR GASKET	23	2
830431260	BRACKET	61	59	831041100	GASKET, EXHAUST MANIFOLD TO CYLINDER HEAD	23	12
830431260	BRACKET, EXHAUST RISER SUPPORT	63	6	831041111	GASKET, TURBO TO EXHAUST MANIFOLD ADAPTOR	59	29
830481160	BRACKET, OIL SUCTION SCREEN MOUNTING	27	26	831041111	GASKET, TURBO TO MANIFOLD ADAPTOR	65	61
830511310	FITTING, LUBRICATION	53	27	831041200	SEAL, SUB ASSEMBLY	53	4
830642530	GROUND WIRE, ALTERNATOR	55	33				
830803116	STRAP, STARTER GROUND	55	21				
830811610	PIPE, FUEL RETURN	35	7				
830901101	COTTER PIN	55	20				
830904105	PIN, IDLER SHAFT	19	16				
830906125	NUT	55	11				
830908106	NUT	3	13				
830908137	NUT	27	16				
830910133	NUT	23	16				
830910141	NUT	23	18				
830910141	NUT	23	7				
830910141	NUT	61	46				
830910142	NUT	23	19				
830910142	NUT	23	6				
830910142	NUT	61	47				
830910142	NUT	63	40				
830911130	PIPE ASSEMBLY	35	34				
830912102	PLUG	59	41				

# PARTS INDEX

Part Number	Description	Pg.	Ref. No.	Part Number	Description	Pg.	Ref. No.
831041240	SCREEN, OIL SUCTION . . .	27	28	831111110	CASE, HOT SECTION . . . . .	73	12
831071060	DRAIN TUBE, TURBO OIL . .	59	34	831111181	BODY, OIL PUMP . . . . .	33	1
831071060	PIPE, TURBO OIL DRAIN . . .	65	64	831111274	HOUSING, AIR INLET . . . . .	23	30
831071070	GEAR, DRIVEN OIL PUMP . .	33	4	831111470	CASE, COOLANT PUMP . . . .	51	12
831101382	PUMP, COIL - COMPONENT			831111680	CASE, PUMP BODY . . . . .	53	1
	PARTS, SEE FIG. 1-H3 . .	27	34	831111690	CASE, PUMP SHAFT		
831101382	PUMP, ENGINE OIL . . . . .	33	1H3		SUPPORT . . . . .	53	10
831101511	CYLINDER HEAD ASSEMBLY	3	1	831131120	PLATE, LOCK . . . . .	73	21
831101511	CYLINDER HEAD			831131160	PLATE, LOCK . . . . .	73	19
	ASSEMBLY, LESS VALVES	5	1	831131311	PIPE, AIR INLET . . . . .	23	34
831101561	BODY ASSEMBLY,			831131442	PIPE COOLANT . . . . .	49	47
	INJECTOR PUMP . . . . .	35	18	831131500	PIPE, COOLANT PUMP		
831106170	PIN, CLEVIS . . . . .	55	17		SUCTION . . . . .	49	45
831106200	BOLT . . . . .	55	10	831132170	PIPE AIR . . . . .	59	4
831106250	BOLT . . . . .	55	1	831132170	PIPE, AIR INLET . . . . .	63	11
831106300	BOLT . . . . .	59	22	831132180	PIPE, AIR INLET . . . . .	23	38
831106300	BOLT . . . . .	63	35	831141040	CASE, COMPRESSOR . . . . .	73	8
831108160	BOLT . . . . .	55	36	831151020	ROTOR, TURBINE . . . . .	73	1-1
831108200	BOLT . . . . .	13	27	831151110	PIPE, COOLANT . . . . .	47	19
831108220	BOLT . . . . .	27	20	831151122	GASKET, CYLINDER HEAD . .	5	2
831108320	STUD, UPPER - AIR INLET			831161020	SLINGER, OIL . . . . .	73	2
	MANIFOLD . . . . .	3	9	831161070	PLUG, BRASS 3/8 PIPE . . . .	53	26
831108650	STUD, LOWER - AIR INLET			831171030	SPACER . . . . .	53	15
	MANIFOLD . . . . .	3	10	831171040	LOCKWASHER . . . . .	53	24
831110001	BOLT . . . . .	27	11	831171050	FLATWASHER . . . . .	53	29
831110200	BOLT . . . . .	27	27	831171140	NUT, LOCK . . . . .	73	6
831110251	BOLT . . . . .	47	42	831181020	IMPELLER, CHARGE AIR . . .	73	7
831110251	BOLT . . . . .	57	44	831191200	GASKET, REAR COVER TO		
831110251	BOLT . . . . .	61	45		CASE . . . . .	53	7
831110252	BOLT . . . . .	49	58	831191210	GASKET, FORWARD PUMP		
831110300	BOLT . . . . .	47	39		CASE . . . . .	53	8
831110300	BOLT, CRANK PULLEY TO			831211040	CASE, BEARING . . . . .	73	14
	HUB . . . . .	15	13	831211120	COVER, PUMP . . . . .	51	16
831110301	BOLT . . . . .	37	50	831211310	COVER, FORWARD PUMP . .	53	5
831110301	BOLT . . . . .	49	56	831211320	COVER, REAR PUMP . . . . .	53	6
831110301	BOLT, AIR INLET PIPE . . . .	23	32	831221200	GUIDE, INTAKE & EXHAUST		
831110301	BOLT, INJECTION PUMP				VALVE . . . . .	3	2
	MOUNTING BRACKET . . . .	9	24	831231110	PLATE . . . . .	73	9
831110352	BOLT . . . . .	27	12	831231120	PLATE . . . . .	73	16
831110352	BOLT . . . . .	55	27	831241170	SEAL, RING . . . . .	73	5
831110400	BOLT . . . . .	55	39	831241190	SEAL, RING . . . . .	73	4
831110401	BOLT . . . . .	27	35	831261080	RETAINER, BEARING . . . . .	53	21
831110401	BOLT . . . . .	49	59	831271020	BACKING PLATE . . . . .	73	23
831110402	BOLT, CLIP HOLDER . . . . .	9	28	831291130	GASKET, PUMP COVER . . . .	51	13
831110403	BOLT, FLYWHEEL HOUSING			831311110	BEARING . . . . .	73	24
	TO ENGINE BLOCK . . . . .	13	5	831311230	SEAT, INTAKE VALVE . . . . .	3	3
831110451	BOLT, CRANK PULLEY . . . .	15	11	831311300	VANE, COOLANT PUMP . . . .	51	15
831110451	BOLT, FLYWHEEL HOUSING			831311350	IMPELLER . . . . .	53	14
	TO ADAPTOR . . . . .	13	8	831341040	PIPE, OIL COOLER . . . . .	29	49
831110601	BOLT . . . . .	47	9	831351050	GASKET, TURBO DRAIN		
831110602	BOLT, STOP SOLENOID				PIPE . . . . .	65	62
	MOUNTING . . . . .	13	15	831351050	GASKET, TURBO OIL DRAIN		
831110651	BOLT . . . . .	27	33	831351240	SEAT, EXHAUST VALVE . . . .	3	4
831110701	BOLT . . . . .	49	48	831352200	RING, RETAINER . . . . .	51	4
831110702	BOLT, AIR PIPE RETAINER . .	23	39	831361040	SCREW . . . . .	73	22
831110801	BOLT, AIR INLET PIPE TO			831361070	SCREW . . . . .	73	18
	AIR HEATER . . . . .	23	35	831361090	SCREW, IMPELLER CAM		
831110802	BOLT . . . . .	49	50		RETAINER . . . . .	53	16
831110852	BOLT . . . . .	49	49	831361590	BRACKET, AIR INLET PIPE		
					SUPPORT . . . . .	63	12



# PARTS INDEX

Part Number	Description	Pg.	Ref. No.	Part Number	Description	Pg.	Ref. No.
831361590	BRACKET, AIR PIPE			831851170	BOLT, CYLINDER HEAD ...	5	3
	RETAINER .....	59	5	831851180	BOLT, CYLINDER HEAD ...	5	4
831371010	ADAPTOR, OIL SUPPLY ...	59	20	831891030	NUT .....	31	5
831371010	ADAPTOR, OIL SUPPLY ...	63	33	831891040	NUT .....	31	4
831381240	O-RING .....	71	4	831908117	BOLT .....	35	38
831381250	O-RING .....	71	10	831908191	BOLT .....	35	32
831391022	GASKET .....	47	6	831908202	BOLT, CAMSHAFT THRUST		
831391300	GASKET .....	53	3		PLATE .....	19	4
831411030	SHIELD, HEAT .....	73	20	831910104	BOLT .....	27	2
831412270	GUIDE, OIL LEVEL GAUGE .	9	36	831910105	BOLT .....	55	38
831412970	EXHAUST MANIFOLD/HEAT			831910107	NUT, VALVE ADJUSTING		
	EXCHANGER COMB.				SCREW LOCK .....	21	7
	ASSEMBLY .....	23	1	831910110	BOLT .....	61	48
831413381	ADAPTOR, TURBO TO			831910110	BOLT .....	65	50
	EXHAUST MANIFOLD ...	23	3	831910127	BOLT .....	61	54
831421070	SPACER, THRUST .....	73	3	831910127	BOLT .....	65	56
831421240	BRUSHES .....	71	3	831910131	BOLT .....	25	43
831431040	BEARING, THRUST .....	73	25	831910281	BOLT .....	47	24
831441110	GUIDE, PUSH ROD .....	3	5	831910281	BOLT .....	47	32
831451091	SHAFT .....	51	10	831912179	BOLT .....	59	24
831451100	BOLT .....	73	13	831912179	BOLT .....	59	33
831451130	BOLT .....	73	10	831912179	BOLT, OIL SUPPLY .....	63	37
831451200	BOLT .....	53	17	831912438	BOLT, ENGINE MOUNT ....	13	16
831451210	BOLT .....	53	18	831913101	BOLT .....	37	48
831451630	SHAFT, PUMP .....	53	11	831914101	NUT .....	35	35
831471040	SLINGER .....	53	2	831914184	BOLT .....	37	56
831471110	PIN, LOCATING .....	53	28	831916148	BOLT, BANJO OIL PIPE ....	35	26
831481020	NUT .....	53	23	831921041	BRACKET, OIL LINE		
831501050	ROTOR ASSEMBLY .....	73	1		ADAPTOR .....	59	38
831501670	SOLENOID, STARTER .....	71	1	831921041	BRACKET, TURBO OIL		
831512081	GASKET, OIL PAN .....	11	52		DRAIN PIPE, SUPPORT ..	65	68
831521150	BRACKET, EXHAUST			831924102	RING, RETAINER .....	21	1
	MANIFOLD/HEAT			831939101	RING, RETAINER, PISTON		
	EXCHANGER SUPPORT .	23	9		PIN TO PISTON PIN .....	15	6
831521160	BRACKET, EXHAUST			832010080	PLUG .....	23	5
	MANIFOLD/HEAT			832011150	HEATER, AIR INLET .....	23	37
	EXCHANGER SUPPORT .	23	13	832011261	SET, CONNECTING ROD		
831621050	SEAL, PUMP SHAFT .....	53	9		BEARINGS, STD. ....	15	4
831641020	LOCKWASHER .....	53	19	832017120	PLUG .....	23	40
831641030	LOCKWASHER .....	53	30	832031020	HANGER, ENGINE .....	13	2
831661020	SEAT, PUMP FLOATING ...	53	12	832031321	SET, CONNECTING ROD		
831661030	CAM, IMPELLER .....	53	13		BEARINGS, O.S. .010 ....	15	-
831681320	RING, RETAINER .....	71	9	832041301	SET, CONNECTING ROD		
831711080	PIPE, OIL SUPPLY .....	59	39		BEARINGS, O.S. .020 ....	15	-
831711080	PIPE, OIL SUPPLY .....	65	69	832051311	SET, CONNECTING ROD		
831711380	GASKET, AIR INLET				BEARINGS, O.S. .030 ....	15	-
	HOUSING TO CYLINDER			832061291	SET, CONNECTING ROD		
	HEAD .....	23	29		BEARINGS, O.S. .040 ....	15	-
831711400	LINE, TURBO OIL SUPPLY .	59	32	832071040	COVER, WATER GALLERY .	9	13
831711400	PIPE, OIL SUPPLY .....	65	59	832101112	BREATHER, CRANKCASE		
831721080	BALL BEARING .....	53	20		ASSEMBLY .....	5	9
831731201	PULLEY, ENGINE COOLANT	47	8	832110200	BOLT, RING GEAR TO		
831732350	PULLEY, PUMP DRIVE ....	53	25		FLYWHEEL OUTER .....	17	43
831761110	SEAT, INJECTION NOZZLE .	3	6	832111990	COVER, CYLINDER HEAD ..	5	6
831791090	GASKET, ELBOW TO TURBO	65	57	832131080	GASKET, CYLINDER HEAD		
831791090	GASKET, TURBO TO				COVER .....	5	7
	EXHAUST ELBOW .....	59	31	832161390	PISTON .....	15	8
831801071	PETCOCK, COOLANT DRAIN	9	10	832210080	PLUG .....	7	17
831811140	CAP, OIL FILLER .....	5	8	832210080	PLUG .....	13	7
831851160	BOLT, CYLINDER HEAD ...	5	5	832221150	PLUG .....	47	43

# PARTS INDEX

Part Number	Description	Pg.	Ref. No.	Part Number	Description	Pg.	Ref. No.
832381020	BAFFLE, CRANKCASE BREATHER	5	10	833041050	CORE, INNERCOOLER AND STUD	75	1
832501020	JOINT, LINK ROD	55	14	833041220	BRACKET, L.H.R. ENGINE MOUNT	13	-
832503100	DRIVE, TOR.	17	46	833051010	TANK, INNERCOOLER	75	2
832511150	PIN, PISTON	15	7	833061012	COVER, FLYWHEEL HOUSING DUST	11	47
832511231	COVER, PUSH ROD	9	6	833101350	COVER ASSEMBLY - CONTAINS #2, 3	39	1
832531050	GASKET, PUSH ROD COVER	27	41	833101510	FRAME ASSEMBLY	67	6
832531280	GASKET, PUSH ROD COVER	9	7	833101510	FRAME ASSEMBLY	69	6
832601340	ROD ASSEMBLY, CONNECTING	15	1	833110550	KEY, CRANKSHAFT GEAR AND PULLEY	15	25
832651291	BOLT, CONNECTING ROD	15	3	833111220	COVER, FUEL FILTER	39	2
832661090	NUT, CONNECTING ROD BOLT	15	2	833111450	FRAME, DRIVE END	67	7
832671010	GASKET, WATER GALLERY COVER	9	20	833111450	FRAME, DRIVE END	69	7
832671030	GASKET, WATER GALLERY COVER	9	14	833121050	GASKET, FILTER BOWL	39	6
832721270	BUSHING, CONNECTING ROD TO PISTON PIN	15	5	833121520	PLATE, RETAINER	67	8
832801167	OIL SEAL, REAR CRANKSHAFT	17	36	833121520	PLATE, RETAINER	69	8
832811031	HANGER, ENGINE	5	11	833141040	GASKET, TANK TO CORE	75	4
832820111	SEAL, TACH DRIVE SHAFT	13	22	833141050	GASKET, INSPECTION COVER	75	5
832825108	SEAL, OIL	35	41	833161010	PIPE, INNERCOOLER	75	7
832865116	SEAL, TIMING GEAR COVER	13	30	833161030	PLUG, AIR VENT	43	3
832910112	BOLT, SPACER TOR. DRIVE	17	52	833161040	PLUG, AIR BLEED	39	3
832910187	BOLT	65	46	833171010	PLATE, INSPECTION	75	3
832910195	BOLT	65	45	833171440	BOLT	67	12
832910229	BOLT	61	49	833171440	BOLT	69	12
832910229	BOLT	65	49	833201150	COVER, TIMING GEAR	13	20
832910241	BOLT, TOR. DRIVE	17	49	833211020	HOSE, WATER ADAPTOR	49	44
832910248	BOLT, OIL PIPE BANJO	35	28	833211210	CANISTER, FUEL FILTER	39	4
832912155	BOLT	55	37	833211882	HOUSING, THERMOSTAT	49	51
832912175	BOLT, ENGINE HANGER	5	12	833221030	PLUG, DRAIN	43	8
832917111	PLUG, OIL WITHDRAWAL HOSE	9	41	833221030	PLUG, DRAIN	45	8
833001040	INTERCOOLER ASSEMBLY - COMPONENTS, SEE FIG. 1-G7	59	9	833221070	PLUG, DRAIN	39	10
833001040	INTERCOOLER ASSEMBLY - COMPONENTS, SEE FIG. 1-G7	63	16	833231240	HOUSING THERMOSTAT OUTLET	49	55
833001040	INTERCOOLER ASSEMBLY COMPLETE	75	-	833251111	GASKET, THERMOSTAT	49	54
833001790	FILTER, FUEL - COMPONENTS, SEE FIG. 1-A4	37	52	833251290	GASKET, THERMOSTAT HOUSING	49	52
833001790	FUEL FILTER	39	1A4	833291050	BOLT, CENTER	39	9
833011350	BRACKET, RIGHT HAND FRONT ENGINE MOUNT	13	32	833291100	GASKET, TIMING GEAR COVER	13	18
833013980	GAUGE, OIL LEVEL	9	33	833291170	BRACKET	47	41
833016140	PLUG, ROCKER ARM	21	3	833301351	GOVERNOR ASSEMBLY	35	16
833021050	BRACKET, INTERCOOLER MOUNTING	59	12	833301530	ROTOR ASSEMBLY	67	14
833021050	BRACKET, INTERCOOLER MOUNTING	63	25	833301530	ROTOR ASSEMBLY	69	14
833021282	BRACKET, ENGINE MOUNT AND RAW WATER PUMP	13	17	833331030	SPACER	67	15
833031332	BRACKET, R.R. ENGINE MOUNT	13	34	833331030	SPACER	69	15
				833331100	SPRING, FUEL FILTER ELEMENT	39	11
				833341020	PLATE, SPRING	39	13
				833351030	GASKET, FILTER BOWL	39	7
				833361140	BRACKET, COOLANT PIPE	49	57
				833405190	KEY, WOODRUFF	35	42
				833407220	KEY, CAMSHAFT TO GEAR	19	2
				833511020	BUSHING	67	27
				833511020	BUSHING	69	27
				833511430	FLYWHEEL HOUSING	13	6

# PARTS INDEX

Part Number	Description	Pg.	Ref. No.	Part Number	Description	Pg.	Ref. No.
833551180	SUPPRESSOR	67	26	833930105	PLUG, CORE	3	15
833551180	SUPPRESSOR	69	26	833936102	PLUG, CORE	3	19
833561220	HOLDER WITH RECTIFIER	67	18	833936102	PLUG, CORE	7	11
833561220	HOLDER WITH RECTIFIER	69	18	833940104	PLUG	61	58
833591790	FRAME, RECTIFIER END	67	17	833940104	PLUG, CORE	7	6
833591810	FRAME, RECTIFIER END	69	17	833940104	PLUG, CORE	63	39
833601010	COVER ASSEMBLY, WATER SEPARATOR - CONTAINS #2, 3, 4	43	1	833941071	BRACKET, FUEL FILTER MOUNTING	37	59
833601020	COVER ASSEMBLY, WATER SEPARATOR - CONTAINS #2, 3, 4	45	1	833950103	PLUG, CORE	7	28
833611011	COVER, WATER SEPARATOR	43	2	834091010	BRACKET, INJECTION PUMP MOUNTING	9	21
833611011	COVER, WATER SEPARATOR	45	2	834094060	BRACKET, NEW ENGINE EXHAUST PIPE SUPPORT	25	44
833611170	COVER, FLYWHEEL HOUSING DUST	13	1	834101220	RELAY, STARTER ASSIST	55	3
833621020	RING, RETAINER	43	9	834101600	STATOR	67	13
833621020	RING, RETAINER	45	9	834101600	STATOR	69	13
833621090	BOLT	67	9	834103900	CYLINDER BLOCK	9	1
833621090	BOLT	69	9	834103900	CYLINDER BLOCK ASSEMBLY	7	1
833641010	GASKET, AIR VENT PLUG	43	4	834110250	STUD, INJECTION PUMP MOUNTING BRACKET	9	23
833641010	GASKET, SWITCH	45	4	834110300	STUD, STARTER MOUNTING	55	22
833641450	BOLT, TERMINAL	69	32	834111291	CRANKSHAFT	15	26
833651080	WIRE, LEAD	69	31	834111370	PIPE, OIL PUMP SUCTION	27	31
833701010	BODY ASSEMBLY, WATER SEPARATOR - CONTAINS #6, 7, 8	43	5	834121140	COLLAR, SPACER	67	5
833701050	BODY ASSEMBLY, WATER SEPARATOR - CONTAINS #6, 7, 8	45	5	834121140	COLLAR, SPACER	69	5
833711010	BODY, WATER SEPARATOR	43	6	834121150	SPACER	67	11
833711010	BODY, WATER SEPARATOR	45	6	834121150	SPACER	69	11
833711050	BRUSHES	67	19	834311380	PULLEY	67	1
833711050	BRUSHES	69	19	834311380	PULLEY	69	1
833721010	FLOAT	43	11	834351030	SLINGER, CRANK OIL	15	20
833761030	HOLDER, BRUSH	67	20	834371090	SLEEVE	15	22
833761030	HOLDER, BRUSH	69	20	834371130	SLEEVE, CRANKSHAFT REAR	17	30
833781600	INSULATOR TERMINAL	69	30	834391011	PLATE, SEAL	7	8
833801040	RETAINER, REAR OIL SEAL - CONTAINS #32	17	33	834401521	O-RING	31	18
833831150	GASKET, REAR CRANKSHAFT SEAL RETAINER	17	31	834402131	O-RING	27	9
833871150	INSULATOR	67	21	834402135	O-RING	27	30
833871150	INSULATOR	69	21	834402135	O-RING	27	37
833871160	INSULATOR	67	24	834402535	O-RING	27	7
833871160	INSULATOR	69	24	834402936	O-RING	29	55
833871170	INSULATOR	67	25	834403131	O-RING, FLANGE	7	16
833871170	INSULATOR	69	25	834411170	FAN	67	2
833904103	KEY	35	43	834411170	FAN	69	2
833907104	KEY	51	11	834451190	CLAMP, WIRE	67	29
833912000	PIPE, FUEL RETURN	35	14	834451190	CLAMP, WIRE	69	29
833914101	PLUG	7	3	834511211	BRACKET	61	44
833914101	PLUG, CORE	3	21	834511230	BRACKET	25	41
833920101	PLUG, CORE	7	12	834511240	BRACKET	25	46
833922105	PLUG, CORE	3	22	834511260	BRACKET	25	47
833924103	PLUG, CORE	3	16	834512832	FLYWHEEL	17	40
833928103	PLUG, CORE	7	4	834531340	RING GEAR, FLYWHEEL	17	38
				834551100	BOLT, FLYWHEEL TO CRANKSHAFT	17	41
				834551130	PLATE, RELAY MOUNTING	55	5
				834601150	SWITCH, WATER LEVEL WARNING	45	3
				834611650	HOSE, OIL WITHDRAWAL	9	42
				834671200	LINER, CYLINDER - FLANGE DES. W	7	2

# PARTS INDEX

Part Number	Description	Pg.	Ref. No.	Part Number	Description	Pg.	Ref. No.
834671210	LINER, CYLINDER - FLANGE DES. X .....	7	-	835120107	O-RING .....	31	22
834671220	LINER, CYLINDER - FLANGE DES. Y .....	7	-	835122109	O-RING .....	31	14
834671230	LINER, CYLINDER - FLANGE DES. Z .....	7	-	835123107	O-RING .....	13	33
834702610	PULLEY, CRANKSHAFT ASSEMBLY CONTAINS * .	15	12	835131103	O-RING .....	59	35
834711050	GASKET, AIR INLET PIPE ..	23	33	835131103	O-RING, TURBO OIL DRAIN	65	65
834712960	CRANKSHAFT PULLEY, OPTIONAL .....	15	10	835135102	O-RING .....	61	55
834721061	HUB, CRANK PULLEY .....	15	16	835135102	O-RING .....	65	55
834741030	SLINGER, CRANK PULLEY .	15	21	835139103	O-RING, CRANK PULLEY ..	15	19
834910120	STUD, EXHAUST MANIFOLD	3	14	835154102	O-RING, CRANKCASE BREATHER .....	5	17
834914480	BRACKET, OIL GAUGE PIPE	9	35	835159101	O-RING .....	43	10
834921040	HOLDER, CLIP .....	35	21	835159101	O-RING .....	45	10
834921120	HOLDER, CLIP .....	47	10	835159105	O-RING .....	75	6
834922551	HOLDER, CLIP .....	47	16	835160101	O-RING .....	15	23
834922560	HOLDER, CLIP .....	9	29	835160102	O-RING, SEAL PLATE .....	7	7
834999976	STUD .....	77	4	835167104	O-RING .....	31	8
834999987	PLUG .....	7	20	835185102	O-RING .....	31	3
834999988	NUT, CAMSHAFT GEAR ...	19	7	835211040	GEAR, CRANKSHAFT .....	15	24
834999996	PIPE, COOLANT .....	23	25	835211180	BOLT, MAIN BEARING CAP .	7	13
834999997	FLANGE .....	7	15	835231031	GEAR, CAMSHAFT TIMING .	19	5
834999999	SET, FUEL FILTER - CONTAINS #6, 7, 8 .....	39	5	835251020	SUPPORT, CENTRIFUGAL FILTER .....	31	10
835051200	IDLER GEAR ASSEMBLY - CONTAINS #11 .....	19	10	835351020	SPRING, OIL ROTOR SUPPORT .....	31	9
835081030	BODY ASSEMBLY, ROTOR .	31	1	835410100	WASHER, SOFT .....	3	18
835091010	CLAMP, ROTOR BODY .....	31	2	835422150	WASHER, SOFT WITHDRAWAL HOSE .....	11	44
835091220	TENSION BAR, ALTERNATOR ADJUSTING	57	41	835614470	PLATE, CAUTION .....	23	17
835100104	O-RING, CRANKSHAFT SLEEVE .....	15	29	835701080	PUMP ASSEMBLY, FUEL SUPPLY .....	35	17
835101080	ROTOR ASSEMBLY - CONTAINS #5, 6, 8, 9, 10 .	31	7	835711180	PLATE, CAMSHAFT THRUST FRONT .....	19	3
835101147	O-RING .....	31	32	835713050	BRACKET, TURBO ADAPTOR SUPPORT - OLDER ENGINE ONLY ...	23	20
835101174	O-RING .....	71	5	835721021	PLATE, IDLER GEAR THRUST .....	19	9
835101420	TIMER ASSEMBLY .....	35	19	835721050	PLATE, IDLER GEAR THRUST BACK .....	19	14
835106118	O-RING .....	71	2	835731020	PLATE, INJECTOR PUMP GEAR THRUST .....	35	39
835106200	CLEVIS .....	55	18	835794030	PLATE, CAUTION .....	63	15
835107103	O-RING .....	39	12	835794030	PLATE, ENGINE CAUTION .	59	8
835108101	O-RING .....	31	31	835796000	PLATE, ENGINE CAUTION .	23	31
835108101	O-RING .....	31	37	835801260	SHAFT ASSEMBLY, IDLER GEAR - CONTAINS #16, 17	19	15
835109103	O-RING .....	43	7	835814480	PLATE, CAUTION .....	37	53
835109103	O-RING .....	45	7	835906123	CLEVIS .....	55	12
83511060	COVER, ROTOR .....	31	6	835908103	BOLT .....	27	43
835111110	O-RING .....	71	6	835908104	WASHER, SOFT .....	35	33
835111430	CAMSHAFT .....	19	1	835910105	WASHER, SOFT .....	35	30
835111690	BRACKET, ALTERNATOR MOUNTING .....	55	29	835910130	BOLT .....	27	3
835113103	O-RING .....	59	19	835912111	WASHER, SOFT .....	59	23
835113103	O-RING .....	63	32	835912111	WASHER, SOFT .....	61	57
835113103	O-RING, COOLANT DRAIN PETCOCK .....	9	9	835912111	WASHER, SOFT .....	63	36
835115112	O-RING .....	39	8	835913110	WASHER, SOFT .....	37	46
835116114	O-RING .....	31	39	835914104	WASHER, SOFT .....	37	47
835118102	O-RING .....	27	14	835914104	WASHER, SOFT .....	37	57
835120102	O-RING .....	27	19	835916105	WASHER, SOFT .....	35	27
835120107	O-RING .....	31	16				

# PARTS INDEX

Part Number	Description	Pg.	Ref. No.	Part Number	Description	Pg.	Ref. No.
836002880	OIL FILTER ASSEMBLY - COMPONENTS, SEE FIG. 1-E3	27	10	836161030	PIN, NOZZLE	41	4
836002880	OIL FILTER ASSEMBLY - CONTAINS ALL ITEMS SHOWN	31	1E3	836191020	SHAFT, TACH DRIVE	13	23
836006120	WASHER	55	19	836201260	RELAY, INTAKE AIR HEATER	55	4
836006140	FLATWASHER	55	2	836201940	BASE ASSEMBLY, OIL FILTER - CONTAINS #12 THRU 31	31	11
836006140	FLATWASHER	63	19	836208220	WASHER, PLAIN	47	30
836006140	FLATWASHER	77	11	836211070	GASKET	41	2
836006220	FLATWASHER	77	6	836218360	WASHER	51	3
836008140	FLATWASHER	3	11	836231110	NUT, NOZZLE HOLDING CAP	41	8
836008180	FLATWASHER	9	32	836241040	SEAT, OIL VALVE	31	25
836008180	FLATWASHER	29	46	836241130	VALVE, FILTER SAFETY	31	29
836008180	FLATWASHER	37	45	836241140	VALVE, FILTER SAFETY	31	19
836008180	FLATWASHER	47	12	836291020	WASHER	31	34
836008180	WASHER	55	34	836301210	HOLDER ASSEMBLY, NOZZLE	41	1C4
836008270	FLATWASHER	61	61	836301210	HOLDER, NOZZLE - COMPONENTS, SEE FIG. 1-C4	37	61
836008270	FLATWASHER	63	2	836331030	NUT, NOZZLE RETAINER	41	11
836008270	FLATWASHER	63	4	836401020	TACH DRIVE	13	29
836010180	FLATWASHER	47	38	836401070	TACH DRIVE	13	-
836010180	FLATWASHER, TOR. DRIVE	17	47	836404220	CLAMP	47	14
836010180	WASHER	9	25	836404220	CLAMP, HOSE	23	22
836010180	WASHER	23	15	836404420	CLAMP	65	54
836010220	FLATWASHER	27	40	836404420	CLAMP, HOSE	61	50
836010220	FLATWASHER	47	26	836404420	CLAMPS, HOSE	29	50
836010220	FLATWASHER	63	43	836404620	CLAMP, HOSE	47	4
836010220	FLATWASHER, RING GEAR TO FLYWHEEL OUTER	17	45	836404820	CLAMP	65	52
836010220	WASHER	55	23	836404820	CLAMP, HOSE	61	52
836010220	WASHER, PULLEY TO HUB	15	15	836431010	GASKET, RETAINING NUT	41	7
836010300	FLATWASHER	47	34	836431020	PLUG, OIL FILTER DRAIN	31	38
836010330	WASHER	57	40	836451030	COVER, TACH DRIVE	13	25
836011121	BRACKET, STOP SOLENOID MOUNTING	13	14	836501410	NOZZLE ASSEMBLY	37	63
836012220	FLATWASHER	27	5	836511210	BOLT	31	40
836014270	WASHER	55	30	836601020	PLUG ASSEMBLY, OIL - CONTAINS #22	31	21
836021070	VALVE	65	70	836607010	CLAMP	59	3
836021070	VALVE, OIL SUPPLY	59	40	836607010	CLAMP	63	7
836021160	BODY ASSEMBLY, NOZZLE HOLDER	41	1	836611100	SPRING, OIL SAFETY VALVE	31	20
836030110	ROD, LINK	55	16	836611160	SPRING, OIL VALVE	31	23
836041020	VALVE, OIL	31	24	836611170	SPRING, OIL VALVE	31	28
836051040	VALVE ASSEMBLY, OIL CHECK	31	13	836621010	PLUG, OIL VALVE	31	30
836101080	COUPLING ASSEMBLY	35	20	836621080	PLUG, OIL VALVE	31	26
836101450	NOZZLE AND HOLDER SET	37	62	836621100	PLUG, OIL VALVE	31	17
836111070	SHAFT, INJECTOR PUMP DRIVE	35	40	836631080	GASKET, OIL PLUG	31	27
836111180	INLET CONNECTOR	41	3	836671031	RING, PACKING	37	60
836121670	BASE, OIL FILTER	31	12	836734103	BUSHING, IDLER GEAR	19	11
836131170	GEAR, INJECTOR PUMP DRIVE	35	37	836801080	SOLENOID ASSEMBLY, STOP	55	9
836141040	PLATE, FLANGE SET BOLT LOCK	41	6	836901112	CLAMP	59	15
836141660	COVER, OIL FILTER ASSEMBLY - CONTAINS #37, 38	31	36	836901112	CLAMP	63	28
836151060	SPRING, NOZZLE	41	5	836909103	FLATWASHER	27	18
				836910103	STUD	23	8
				836910103	STUD	59	43
				836910103	STUD, EXHAUST MANIFOLD	23	4
				836910106	STUD	65	60
				836911180	PIPE, COOLANT	61	53
				836911180	PIPE, COOLANT	65	53

# PARTS INDEX

Part Number	Description	Pg.	Ref. No.	Part Number	Description	Pg.	Ref. No.
836911221	BRACKET, SOLENOID MOUNTING	63	24	837202610	CLEANER, AIR ASSEMBLY - COMPONENTS, SEE FIG. 1-17	63	26
836924106	WASHER	51	5	837261070	PLUG, FLUSH	27	23
836924109	WASHER, SPRING COMPRESSION	21	11	837311360	SPRING, VALVE	21	17
836925101	GASKET, FLANGE	29	45	837314080	WASHER, LOCK	35	36
836932101	CLAMP	47	18	837341160	SEAT, LOWER VALVE SPRING	21	19
836941121	ADAPTOR, TACH GEN.	13	28	837351290	RETAINER, VALVE SPRING	21	16
836962101	CLAMP, HOSE	47	2	837391030	CAP, VALVE STEM	21	14
836975103	CLAMP	59	1	837511340	LIFTER, VALVE	21	22
836975103	CLAMP	63	10	837661260	PIPE, SPILL BACK	35	8
836994102	CLAMP	59	17	837681210	BRACKET, FUEL PIPE	35	13
836994102	CLAMP	63	30	837711150	PIPE, OIL	27	21
837001520	REGULATOR, VOLTAGE	67	28	837731460	PIPE, OIL	35	31
837001520	REGULATOR, VOLTAGE	69	28	837741060	PIPE, OIL	35	25
837011271	SET, BEARINGS, CRANKSHAFT MAIN - STD.	15	27	837811310	ROD, PUSH	21	23
837012240	BODY, CLEANER TO TURBO	77	1	837811620	PIPE, FUEL	37	51
837012250	BODY, END	77	2	837871100	SCREW, VALVE ADJUSTING	21	6
837031441	SET, BEARINGS, CRANKSHAFT MAIN - .010 O.S.	15	-	838004080	SCREW	77	9
837041271	SET, BEARINGS, CRANKSHAFT MAIN - .020 O.S.	15	-	838006150	LOCKWASHER	55	6
837051271	SET, BEARINGS, CRANKSHAFT MAIN - .030 O.S.	15	-	838006150	LOCKWASHER	59	21
837061271	SET, BEARINGS, CRANKSHAFT MAIN - .040 O.S.	15	-	838006150	LOCKWASHER	63	34
837101020	COOLER, OIL ASSEMBLY - CONTAINS #14 THRU 25	27	13	838006150	LOCKWASHER	73	11
837102114	SPRING, COMPRESSION	21	12	838006150	LOCKWASHER	77	8
837111021	CASE, OIL COOLER	27	22	838008200	LOCKWASHER	3	12
837111210	HOUSING, OIL COOLER	27	42	838008200	LOCKWASHER	9	31
837111470	VALVE, INTAKE	21	21	838008200	LOCKWASHER	13	26
837111590	PIPE, INJECTOR #1 CYLINDER	35	1	838008200	LOCKWASHER	27	17
837121250	CORE, OIL COOLER	27	25	838008200	LOCKWASHER	29	47
837121580	PIPE, INJECTOR #2 CYLINDER	35	2	838008200	LOCKWASHER	35	11
837131530	PIPE, INJECTOR #3 CYLINDER	35	3	838008200	LOCKWASHER	47	13
837141560	PIPE, INJECTOR #4 CYLINDER	35	4	838008200	LOCKWASHER	55	35
837151060	NUT, CAP	77	7	838008200	LOCKWASHER, STAINLESS STEEL	75	9
837151201	VALVE, EXHAUST	21	20	838008200	WASHER	23	27
837151590	PIPE, INJECTOR #5 CYLINDER	35	5	838010250	LOCKWASHER	9	26
837161580	PIPE, INJECTOR #6 CYLINDER	35	6	838010250	LOCKWASHER	27	39
837171160	GASKET, OIL COOLER ELEMENT	27	24	838010250	LOCKWASHER	47	25
837191020	SEAL, VALVE STEM	21	18	838010250	LOCKWASHER	47	29
837202610	CLEANER ASSEMBLY, AIR	77	-	838010250	LOCKWASHER	47	37
837202610	CLEANER ASSEMBLY, AIR - COMPONENTS, SEE FIG. 1-17	59	13	838010250	LOCKWASHER	55	24
				838010250	LOCKWASHER, IDLER SHAFT BOLT	19	13
				838010250	LOCKWASHER, RING GEAR TO FLYWHEEL OUTER	17	44
				838010250	LOCKWASHER, TOR. DRIVE	17	48
				838010250	LOCKWASHER, TOR. DRIVE	17	51
				838012130	SCREEN	77	3
				838012130	SOCK, CLEANER	77	5
				838012300	LOCKWASHER	27	4
				838012300	LOCKWASHER, ENGINE HANGER BOLT	5	13
				838014350	LOCKWASHER	55	31
				838018460	LOCKWASHER	51	2
				838031080	SEPARATOR, WATER ASSEMBLY	43	1E4

# PARTS INDEX

Part Number	Description	Pg.	Ref. No.	Part Number	Description	Pg.	Ref. No.
838031160	SEPARATOR ASSEMBLY, WATER .....	45	1G4	838911110	KEY .....	53	22
838061370	HOSE, FUEL .....	37	55	839008176	BOLT .....	29	48
838061440	FUEL HOSE .....	37	49	839010300	LOCKWASHER, PULLEY TO HUB .....	15	14
838063030	HOSE, FUEL .....	37	58	839011210	SHAFT, ROCKER ARM - CONTAINS #3 .....	21	2
838106120	BOLT, BAFFLE CRANKCASE BREATHER .....	5	14	839016480	LOCKWASHER .....	67	4
838106200	BOLT .....	59	27	839016480	LOCKWASHER .....	69	4
838106200	BOLT .....	65	63	839021030	JOINT, 3-WAY .....	35	12
838106200	BOLT, STAINLESS STEEL ..	75	10	839041010	CLIP .....	35	29
838106250	BOLT, OIL LEVEL GAUGE GUIDE TUBE .....	9	38	839041090	CLIP .....	35	9
838108160	BOLT .....	61	62	839041220	CLIP SUB ASSEMBLY .....	35	22
838108160	BOLT .....	63	5	839041230	CLIP ASSEMBLY .....	47	11
838108160	BOLT, PUSH ROD COVER ..	9	5	839041250	CLIP, FUEL LINE .....	37	65
838108200	BOLT .....	59	37	839041300	CLIP, OIL LEVEL GAUGE GUIDER TUBE .....	9	39
838108200	BOLT .....	65	67	839041380	CLIP - OIL PIPE RETAINER ..	65	58
838108200	BOLT, COOLANT DRAIN PETCOCK .....	9	11	839041380	CLIP, TURBO OIL SUPPLY LINE HOLDER .....	59	30
838108200	BOLT, COVER TO OIL PUMP BODY .....	33	5	839042180	CLIP .....	9	34
838108200	BOLT, FLANGE .....	9	2	839108122	BOLT .....	47	20
838108200	BOLT, OIL PAN .....	11	49	839108162	BOLT .....	27	29
838108200	BOLT, WATER GALLERY COVER .....	9	19	839108162	BOLT, CLIP OIL LEVEL GAUGE GUIDE TUBE ...	9	40
838108250	BOLT .....	27	32	839108201	BOLT .....	47	15
838108250	BOLT, STAINLESS STEEL ..	75	11	839108201	BOLT .....	63	23
838108250	BOLT, WATER GALLERY COVER .....	9	15	839108202	BOLT .....	29	54
838108500	BOLT, WATER GALLERY COVER .....	9	17	839108202	BOLT .....	47	17
838110250	BOLT .....	59	36	839108202	BOLT .....	59	6
838110250	BOLT .....	65	66	839108202	BOLT .....	63	13
838112102	BEARING, AFT .....	67	16	839108202	BOLT, OIL PAN .....	11	50
838112102	BEARING, AFT .....	69	16	839108252	BOLT, WATER GALLERY COVER .....	9	16
838112210	LOCKWASHER, INTERNAL ..	77	10	839108301	BOLT, REAR OIL SEAL RETAINER TO BLOCK ...	17	34
838120122	FORWARD BEARING .....	67	10	839108302	BOLT .....	63	9
838120122	FORWARD BEARING .....	69	10	839108351	BOLT, CYLINDER HEAD COVER .....	5	15
838121051	BEARING, CAMSHAFT NO. 1	7	21	839108351	BOLT, REAR OIL SEAL RETAINER TO BLOCK ...	17	35
838125121	BALL BEARING .....	51	7	839108352	BOLT, FLYWHEEL HOUSING DUST .....	11	48
838125122	BALL BEARING .....	51	6	839108401	BOLT, TIMING GEAR COVER	13	19
838125122	BALL BEARING .....	51	9	839108452	BOLT .....	29	44
838221110	BEARING, CAMSHAFT NO. 2	7	22	839108552	BOLT .....	27	36
838301440	ARM ASSEMBLY, ROCKER - CONTAINS #5 .....	21	4	839108601	BOLT, TIMING GEAR COVER	13	31
838311032	BUSHING, ROCKER ARM ..	21	5	839108651	BOLT .....	59	42
838321080	BEARING, CAMSHAFT NO. 3	7	23	839108651	BOLT .....	65	72
838351130	BOLT, BANJO JOINT .....	41	10	839108652	BOLT .....	29	51
838401300	ARM, ROCKER ASSEMBLY EXHAUST - CONTAINS #5	21	10	839108701	BOLT .....	47	40
838421080	BEARING, CAMSHAFT NO. 4	7	24	839108702	BOLT .....	59	25
838471110	GASKET .....	41	9	839108702	BOLT .....	63	42
838521060	BEARING, CAMSHAFT NO. 5	7	25	839108802	BOLT .....	29	52
838621040	BEARING, CAMSHAFT NO. 6	7	26	839110202	BOLT .....	25	42
838721030	BEARING, CAMSHAFT NO. 7	7	27	839110252	BOLT .....	59	14
838821010	BEARING, DRIVE SHAFT ...	7	19	839110252	BOLT .....	63	27
838908114	BOLT, INJECTION HOLD DOWN .....	3	8	839110300	BOLT .....	59	11
838908114	NOZZLE HOLD DOWN BOLT	37	64	839110300	BOLT .....	63	22
				839511650	SUPPORT, ROCKER ARM SHAFT .....	21	8

# PARTS INDEX

Part Number	Description	Pg.	Ref. No.	Part Number	Description	Pg.	Ref. No.
839681360	BRACKET, SWITCH MOUNTING	63	18	FI9500301	LINE ASSEMBLY, OIL COOLER	81	3
839908118	BOLT, INJECTOR PUMP TO SUPPORT BRACKET	35	24	FI9608676	LINKAGE CONNECTIONS - HURTH M-GEAR ONLY	83	1
FI1510412	FITTING, BRASS	79	4	FI9608736	THROTTLE CONNECTION - ALL MODELS	85	1
FI1510435	HOSE ASSEMBLY, GEAR OIL COOLER	79	3	FI9908780	OIL COOLER, GEAR	81	1
FI1510477	BREAKER, CIRCUIT 40 AMP	91	6	LOCALSUP	1-1/4 ID X 21"	79	5
FI1510840	BOLT 1/2" - 13 X 1-1/4" - TWIN DISK MODELS ONLY	87	3				
FI1510841	LOCKWASHER, 1/2"	87	4				
FI1513133	OUTLET, EXHAUST - USED ON ALL 1.5:1 RATIO M-GEARS ONLY	61	56				
FI151549	CLAMP, HOSE	89	2				
FI1517104	GASKET, RISER TO ELBOW	65	48				
FI153509	LINKAGE CONNECTIONS - TWIN DISK MODELS ONLY	83	1				
FI157876	SENDER, TACHOMETER	91	7				
FI158392P	WIRE HARNESS - PORT ENGINE ONLY	55	8				
FI158392S	WIRE HARNESS - STARBOARD ENGINE ONLY	55	8				
FI159790	OIL COOLER, GEAR	79	1				
FI159791	MOUNTS, ENGINE - ALL GEAR MODELS	87	1				
FI159793	MOUNT, TRANSMISSION - TWIN DISK MODELS ONLY	87	2				
FI159941	MOUNTING BRACKET, GEAR OIL COOLER	79	2				
FI5410178	HOSE, 1-1/8 ID X 20"	81	5				
FI5410178	HOSE, 1-1/8" ID X 20"	89	1				
FI5410179	HOSE, MOLDED	79	6				
FI5410179	HOSE, MOLDED	81	6				
FI5537304	CLAMP, HOSE	79	7				
FI5537304	CLAMP, HOSE	81	7				
FI5538480	CLAMP, OIL COOLER TO MOUNTING BRACKET	79	8				
FI5538480	CLAMP, OIL COOLER TO MOUNTING BRACKET	81	8				
FI5917994	FITTING, BRASS	81	4				
FI6900192	INTERRUPTOR	91	2				
FI6900193	SWITCH, OIL PRESSURE ALARM	91	1				
FI6900196	SWITCH, WATER TEMP 220-F	91	4				
FI6900197	SENDER, SINGLE STATION OIL PRESSURE	91	3				
FI6900198	SENDER, SINGLE STATION WATER TEMPERATURE	91	5				
FI6900199	SENDER, DUAL STATION OIL PRESSURE	91	3				
FI6900200	SENDER, DUAL STATION WATER TEMPERATURE	91	5				
FI7000227	BRACKET, GEAR OIL COOLER MOUNTING	81	2				