



PARTS CATALOG

US MARINE 351 INBOARDS

SERIAL NUMBER

351 INBOARDS XXXXXXXXXXXXXXX

TABLE OF CONTENTS:

ALTERNATOR	30
CAMSHAFT	8
CARBURETOR	20
CLOSED COOLING SYSTEM	44
CRANKSHAFT AND FLYWHEEL	10
CYLINDER BLOCK	2
CYLINDER HEAD	4
ELECTRICAL PARTS	28
ENGINE AND TRANSMISSION MOUNTS	38
ENGINE WATER PUMP	16
EXHAUST MANIFOLDS	24
FLYWHEEL HOUSING AND DRIVE PLATE	34
FUEL LINE AND FLAME ARRESTOR	22
IGNITION SYSTEM	26
INTAKE MANIFOLD AND FUEL PUMP	18
OIL PUMP, PAN, AND FILTER	14
PARTS INDEX	48
PISTON AND CONNECTING ROD	6
RAW WATER COOLING SYSTEM	40
RAW WATER PUMP AND GEAR COOLER	42
STARTER	32
TRANSMISSION	36
VALVE SYSTEM AND VALVE COVER	12

NOTE: *Indented description indicate that these parts are included in preceeding assembly.*

AR = As Required

NSS = Not Sold Separate

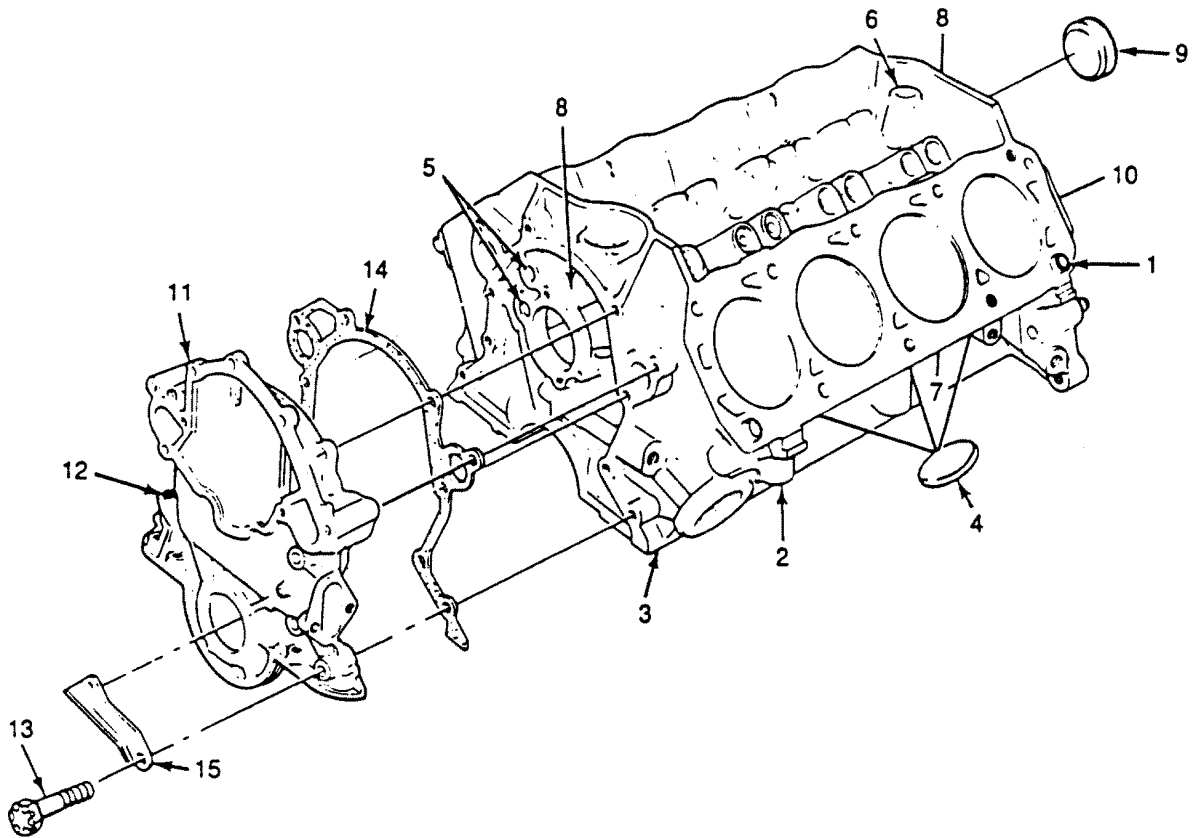
OPT = Optional

NS = Not Shown

THESE PARTS BOOKS/FICHE CARD ARE COPYRIGHTED AND MAY NOT BE DISTRIBUTED OR REPRODUCED IN ANY OTHER FORMAT BY ANYONE OTHER THAN MERCURY MARINE WITHOUT THE PRIOR WRITTEN CONSENT OF MERCURY MARINE.

THIS PAGE INTENTIONALLY LEFT BLANK

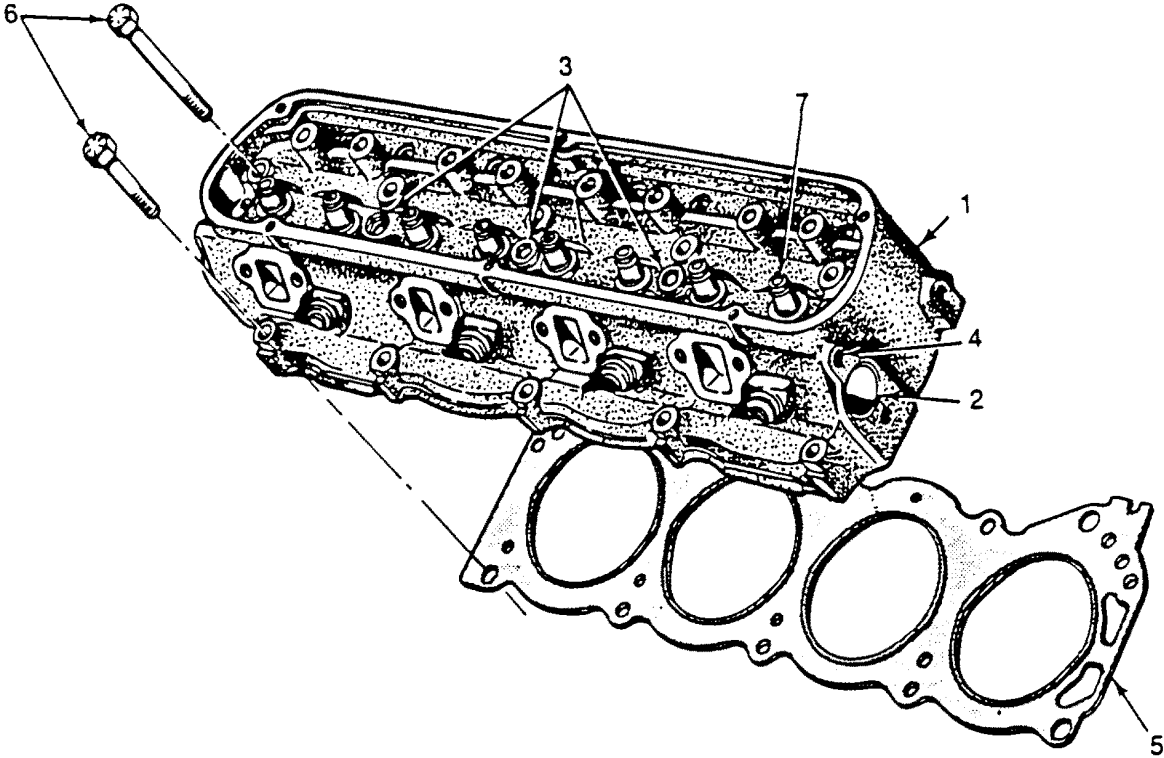
CYLINDER BLOCK



CYLINDER BLOCK

REF. NO.	PART NO.	SYM.	QTY.	DESCRIPTION
1	F724004		4	DOWEL, CYL. HEAD TO BLOCK
2	F724005		1	SHORT BLOCK ASSY., STD. ROT.
3	F724006		1	BLOCK ASSY. CYLINDER BARE
4	F724023		6	PLUG, CUP 1-1/2" BRASS
5	F724008		AR	PLUG, CUP 1/2" OIL HOLE
6	F724009		1	PLUG, CUP 3/4" REAR BLOCK HOLE
7	F724010		2	PLUG, 1/4" NPT, BRASS WATER DRAIN
8	F724011		AR	PLUG, 1/4" PIPE, OIL PASSAGE
9	F724056		1	PLUG, CAM BEARING, REAR
-	F724057		AR	PLUG, CAM BEARING, REAR .060 O/S
10	F724014		2	DOWEL, FLYWHEEL HOUSING TO BLOCK
11	F724015		1	COVER ASSY., TIMING CHAIN
12	F724016		AR	PLUG, OIL LEVEL INDICATOR HOLE
13	F724017		AR	BOLT, TIMING COVER 5/16 - 18 X 1-3/4
-	F724018		AR	BOLT, TIMING COVER 5/16 - 18 X 2
-	F724019		AR	BOLT, TIMING COVER 5/16 - 18 X 2-1/2
14	F724020		1	GASKET, TIMING CHAIN COVER
15	F724021		1	POINTER, ENGINE TIMING

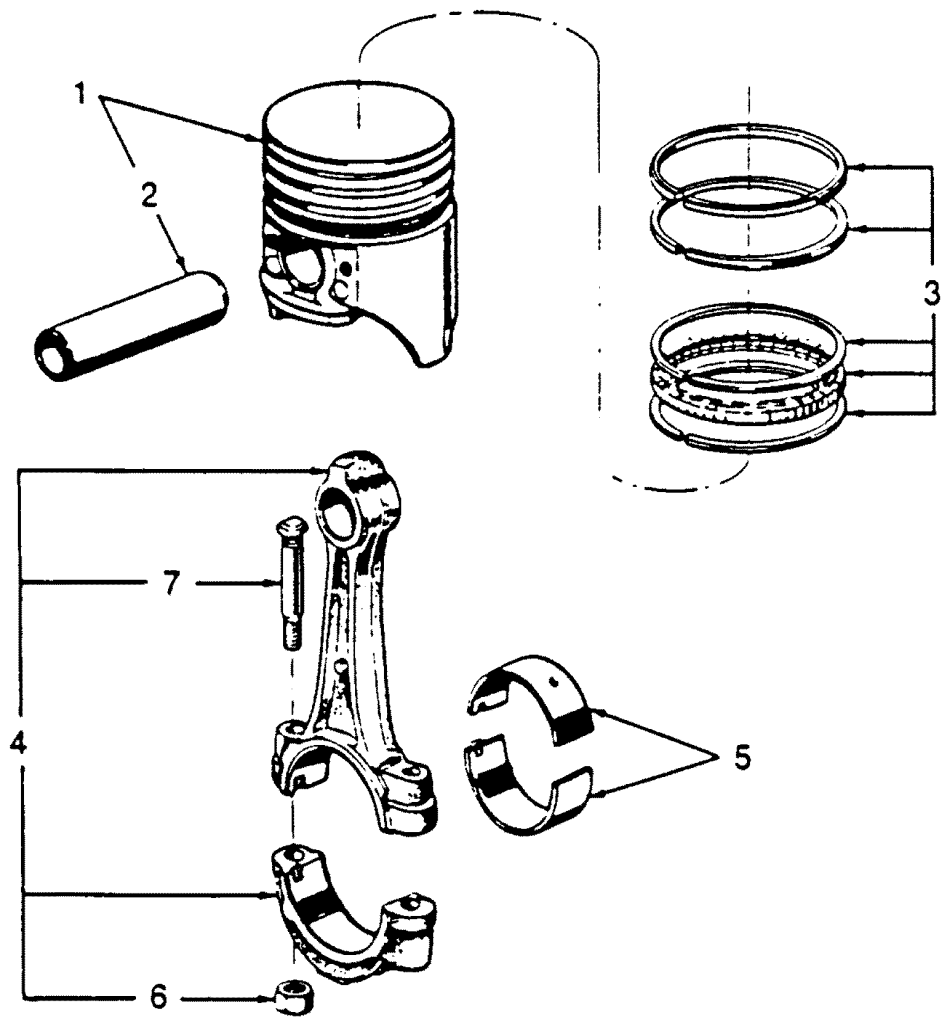
CYLINDER HEAD



CYLINDER HEAD

REF. NO.	PART NO.	SYM.	QTY.	DESCRIPTION
1	F724022		2	CYLINDER HEAD, BARE
2	F724023		4	PLUG, CUP 1-1/2" BRASS
3	F724024		6	PLUG, PIPE 3/4"
4	F724025		4	PLUG
5	F724026		2	GASKET, CYLINDER HEAD
6	F724027		10	BOLT, CYLINDER HEAD 1/2 - 13 X 2-1/2
-	F724028		10	BOLT, CYLINDER HEAD 1/2 - 13 X 4
7	F724029		AR	BUSHING, VALVE GUIDE REPAIR (BUSHING MUST BE REAMED FOR CORRECT CLEARANCE)

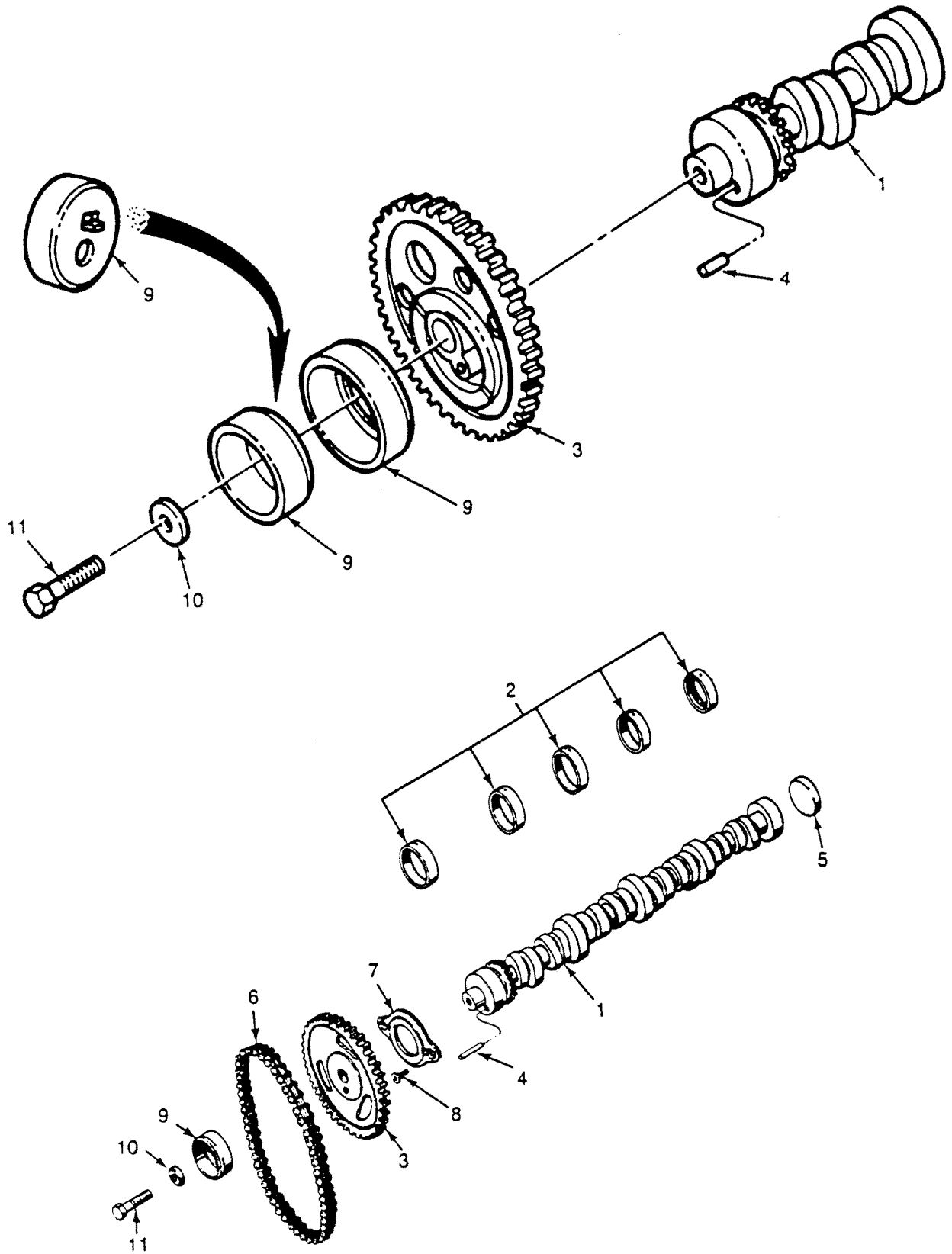
PISTON AND CONNECTING ROD



PISTON AND CONNECTING ROD

REF. NO.	PART NO.	SYM.	QTY.	DESCRIPTION
1	F724030		8	PISTON & PIN ASSEMBLY, STD. RED
-	F724031		AR	PISTON & PIN ASSEMBLY, STD. BLUE
-	F724032		AR	PISTON & PIN ASSEMBLY, .003 O/S
-	F724033		AR	PISTON & PIN ASSEMBLY, .020 O/S
-	F724034		AR	PISTON & PIN ASSEMBLY, .030 O/S
-	F724035		AR	PISTON & PIN ASSEMBLY, .040 O/S
2	F724036		8	PIN, PISTON - STD.
-	F724037		AR	PIN, PISTON .001 O/S
-	F724038		AR	PIN, PISTON .002 O/S
3	F724039		4	RING SET, PISTON - STD. (FOR 2 PISTONS)
-	F724040		AR	RING SET, PISTON - .020 O/S (FOR 2 PISTONS)
-	F724041		AR	RING SET, PISTON - .030 O/S (FOR 2 PISTONS)
-	F724042		AR	RING SET, PISTON - .040 O/S (FOR 2 PISTONS)
4	F724043		8	ROD ASSEMBLY, CONNECTING
5	F724044		8	BEARING, CONNECTING ROD - STD.
-	F724045		AR	BEARING, CONNECTING ROD - .001 U/S
-	F724046		AR	BEARING, CONNECTING ROD - .002 U/S
-	F724047		AR	BEARING, CONNECTING ROD - .010 U/S
-	F724048		AR	BEARING, CONNECTING ROD - .020 U/S
-	F724049		AR	BEARING, CONNECTING ROD - .030 U/S
6	F724050		16	NUT, CONNECTING ROD
7	F724051		16	BOLT, CONNECTING ROD

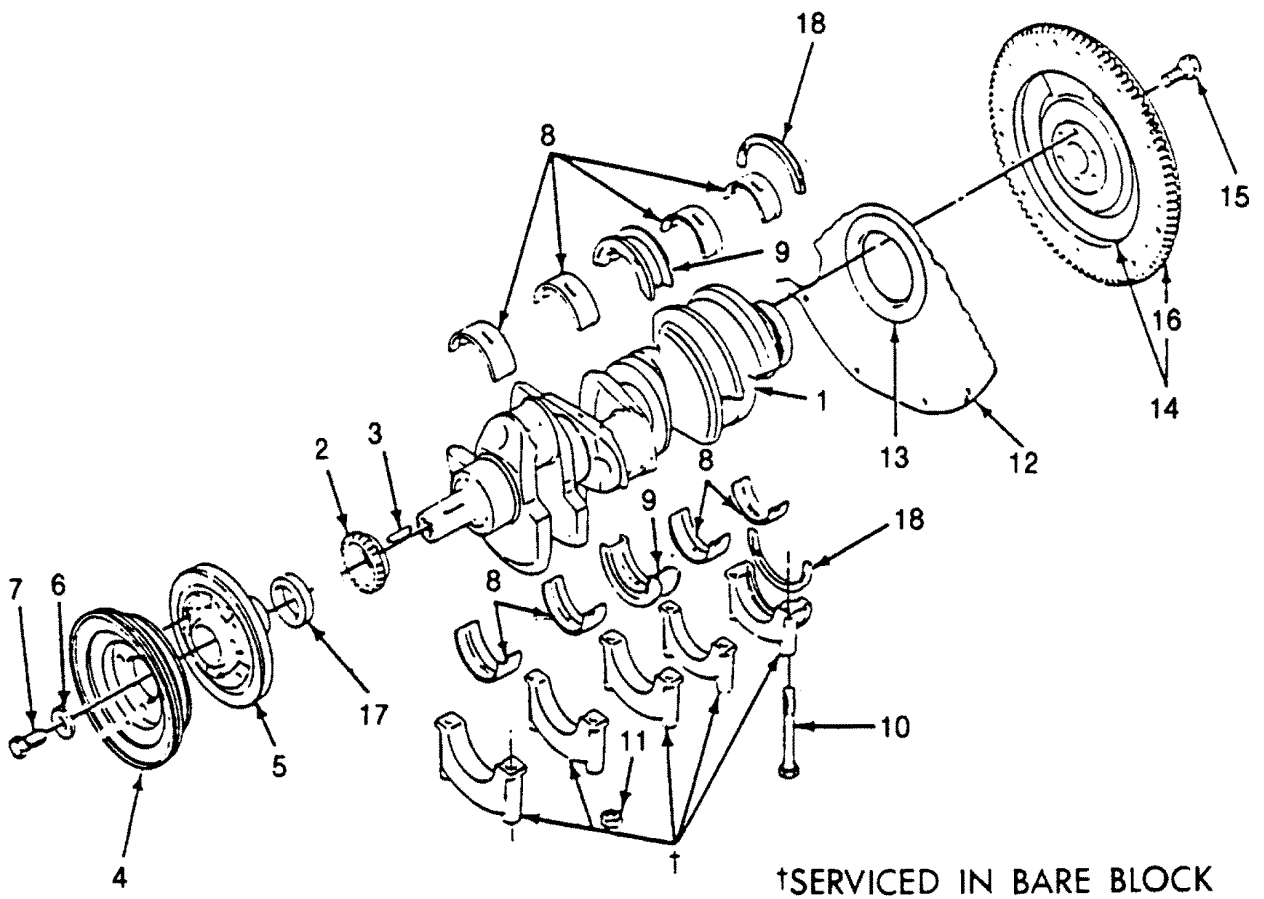
CAMSHAFT



CAMSHAFT

REF. NO.	PART NO.	SYM.	QTY.	DESCRIPTION
1	F724052		1	CAMSHAFT
2	F724053		1	BEARING KIT, CAMSHAFT
3	F724054		1	SPROCKET, CAMSHAFT
4	F724055		1	DOWEL, CAM SPROCKET
5	F724056		1	PLUG, CAM BEARING - REAR
-	F724057		AR	PLUG, CAM BEARING - .060 O/S
6	F724058		1	CHAIN, TIMING
7	F724059		1	PLATE, CAM THRUST - STD.
-	F724060		AR	PLATE, CAM THRUST - .002 O/S
-	F724061		AR	PLATE, CAM THRUST - .004 O/S
8	F724139		2	BOLT, CAM THRUST PLATE
9	F724063		1	ECCENTRIC, FUEL PUMP - INNER
-	F724064		1	ECCENTRIC, FUEL PUMP - OUTER
10	F724065		1	WASHER, CAM SPROCKET
11	F724066		1	BOLT, CAM SPROCKET

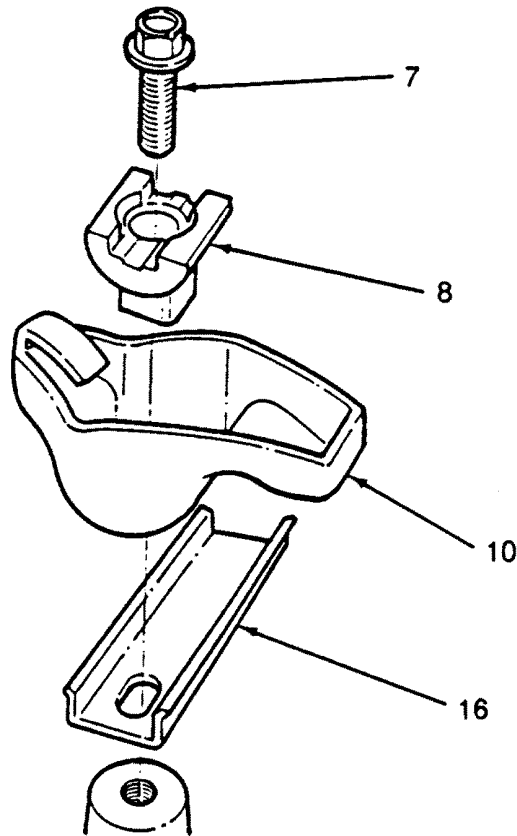
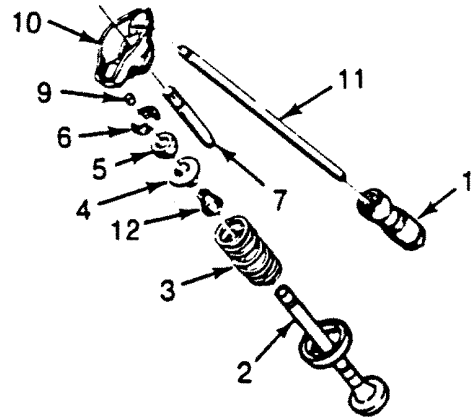
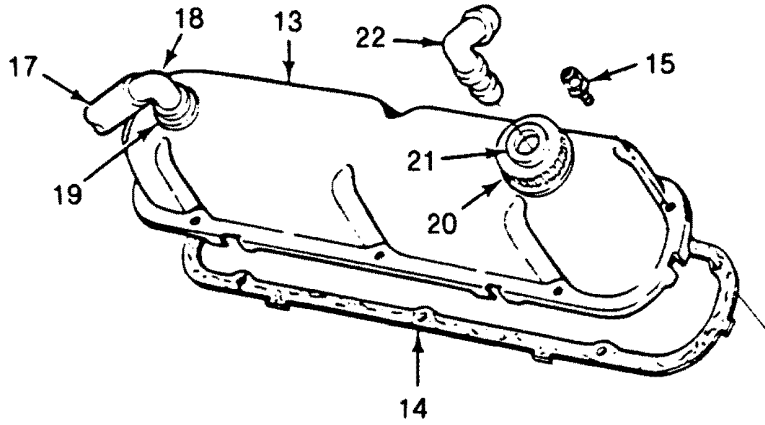
CRANKSHAFT AND FLYWHEEL



CRANKSHAFT AND FLYWHEEL

REF. NO.	PART NO.	SYM.	QTY.	DESCRIPTION
1	F724067		1	CRANKSHAFT, STD.
2	F724068		1	SPROCKET, CRANKSHAFT
3	F724069		1	KEY, CRANKSHAFT SPROCKET
4	F700240		1	PULLEY, CRANKSHAFT
5	F724070		1	DAMPER, VIBRATION
6	F724071		1	WASHER, CRANKSHAFT
7	F724072		1	BOLT, CRANKSHAFT
8	F724073		4	MAIN BEARING, UPPER - STD.
-	F724074		AR	MAIN BEARING, UPPER - .001 U/S
-	F724075		AR	MAIN BEARING, UPPER - .002 U/S
-	F724076		AR	MAIN BEARING, UPPER - .010 U/S
-	F724077		AR	MAIN BEARING, UPPER - .020 U/S
-	F724078		AR	MAIN BEARING, UPPER - .030 U/S
-	F724079		4	MAIN BEARING, LOWER - STD.
-	F724080		AR	MAIN BEARING, LOWER - .001 U/S
-	F724081		AR	MAIN BEARING, LOWER - .002 U/S
-	F724082		AR	MAIN BEARING, LOWER - .010 U/S
-	F724083		AR	MAIN BEARING, LOWER - .020 U/S
-	F724084		AR	MAIN BEARING, LOWER - .030 U/S
9	F724085		2	MAIN BEARING, CENTER - STD.
-	F724086		AR	MAIN BEARING, CENTER - .001 U/S
-	F724087		AR	MAIN BEARING, CENTER - .002 U/S
-	F724088		AR	MAIN BEARING, CENTER - .010 U/S
-	F724089		AR	MAIN BEARING, CENTER - .020 U/S
-	F724090		AR	MAIN BEARING, CENTER - .030 U/S
10	F724091		10	BOLT, MAIN BEARING CAP
-	F724092		1	STUD, MAIN BEARING CAP
11	F724093		1	NUT/WASHER, #3 CAP
12	F724094		1	PLATE, REAR ENGINE (LESS SEAL)
-	F724095		AR	PLATE, REAR ENGINE (W/SEAL)
13	F724096		1	SEAL, PLATE
14	F724097		1	FLYWHEEL & GEAR ASSEMBLY
15	F724098		6	BOLT, FLYWHEEL
16	F724099		1	RING GEAR, FLYWHEEL
17	F724100		1	SEAL, OIL - TIMING CHAIN COVER
18	F724101		1	SEAL, OIL - REAR MAIN BEARING

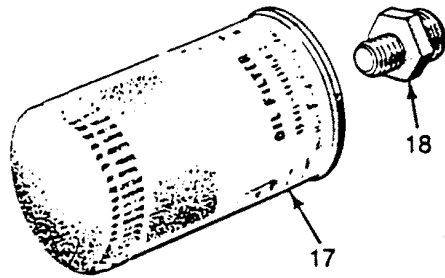
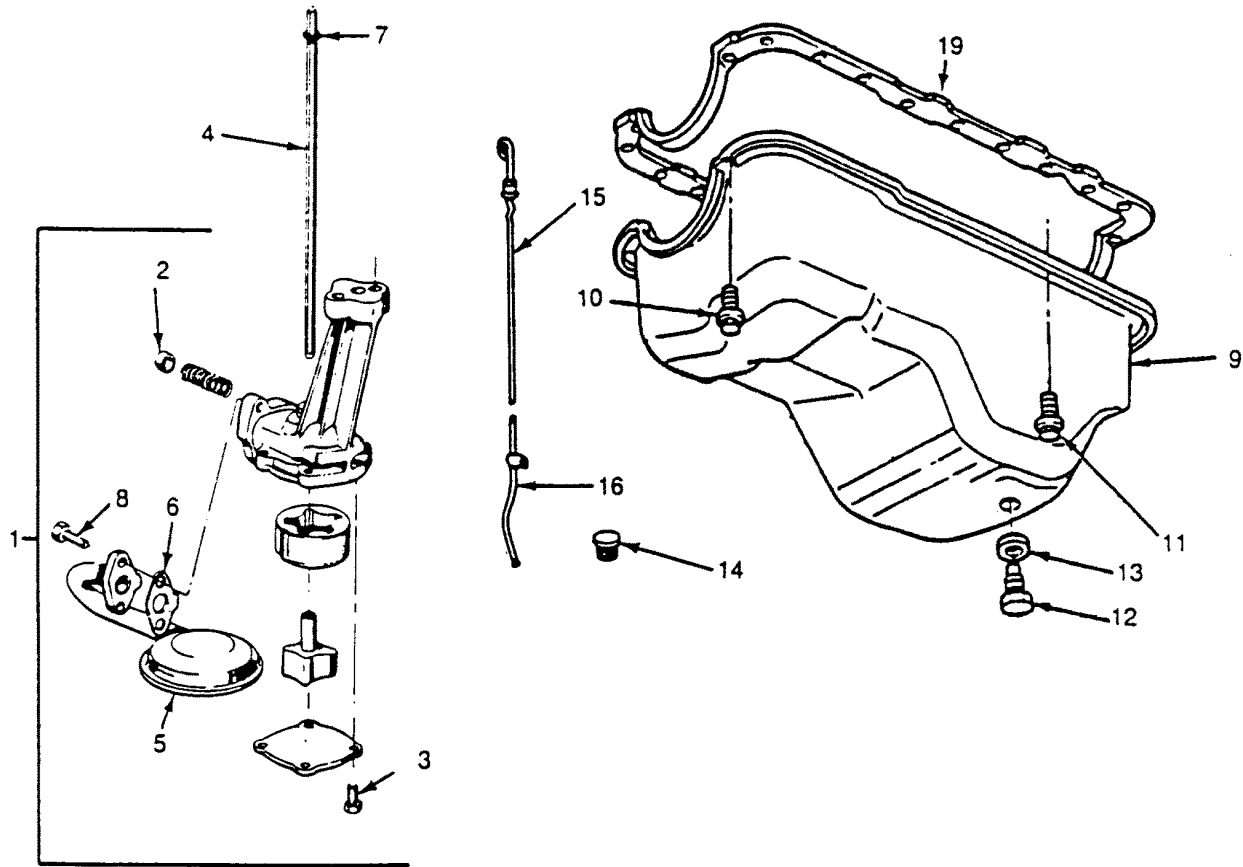
VALVE SYSTEM AND VALVE COVER



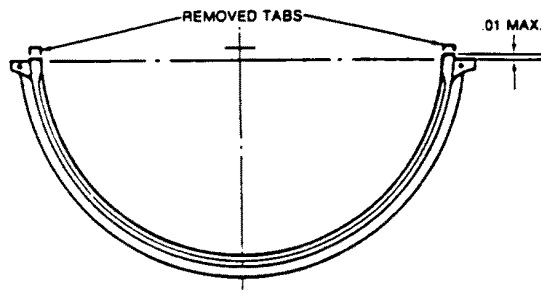
VALVE SYSTEM AND VALVE COVER

REF. NO.	PART NO.	SYM.	QTY.	DESCRIPTION
1	F724102		16	TAPPET, VALVE
2	F724103		8	VALVE, EXHAUST - STD.
-	F724104		AR	VALVE, EXHAUST - .015 O/S
-	F724105		AR	VALVE, EXHAUST - .030 O/S
-	F724106		8	VALVE, INTAKE - STD.
-	F724107		AR	VALVE, INTAKE - .030 O/S
-	F724108		AR	VALVE, INTAKE - .015 O/S
3	F724109		8	SPRING, VALVE - EXHAUST
-	F724110		8	SPRING, VALVE - INTAKE
4	F724111		8	RETAINER/ROTATOR, EXH. VALVE SPRING
-	F724112		8	RETAINER, INTAKE VALVE SPRING
5	F724113		8	SLEEVE, INTAKE VALVE SPRING RETAINER
6	F724114		32	LOCK, RETAINER, VALVE SPRING
7	F724115		16	BOLT/WASHER, ROCKER ARM SUPPORT
8	F724116		16	SEAT, ROCKER ARM PIVOT
9	F724117		8	CAP, EXHAUST VALVE STEM
10	F724118		16	ARM, ROCKER
11	F724119		16	ROD, PUSH
12	F724120		8	SEAL, VALVE STEM - INTAKE STD.
-	F724121		AR	SEAL, VALVE STEM - INTAKE .015 O/S
-	F724122		AR	SEAL, VALVE STEM - INTAKE .030 O/S
-	F724123		8	SEAL, VALVE STEM - EXHAUST STD.
-	F724124		AR	SEAL, VALVE STEM - EXHAUST .015 O/S
-	F724125		AR	SEAL, VALVE STEM - EXHAUST .030 O/S
13	F724127		1	COVER, VALVE - RIGHT
-	F724126		1	COVER, VALVE - LEFT
14	F724128		2	GASKET - VALVE COVER
15	F724148		12	SCREW/WASHER, VALVE COVER
16	F724130		8	GUIDE, ROCKER ARM PIVOT
17	F724131		1	HOSE, PCV VALVE TO CARB. SPACER
18	F724132		AR	VALVE, PCV
19	F724133		AR	GROMMET, PCV VALVE
20	F724134		AR	CAP, OIL FILLER
21	F724135		AR	GROMMET, FILLER CAP
22	F724136		AR	ELBOW, FILLER CAP
NS	F697501		1	CLAMP, PCV HOSE AT CARB.

OIL PUMP, PAN, AND FILTER



SPIN-ON FILTER

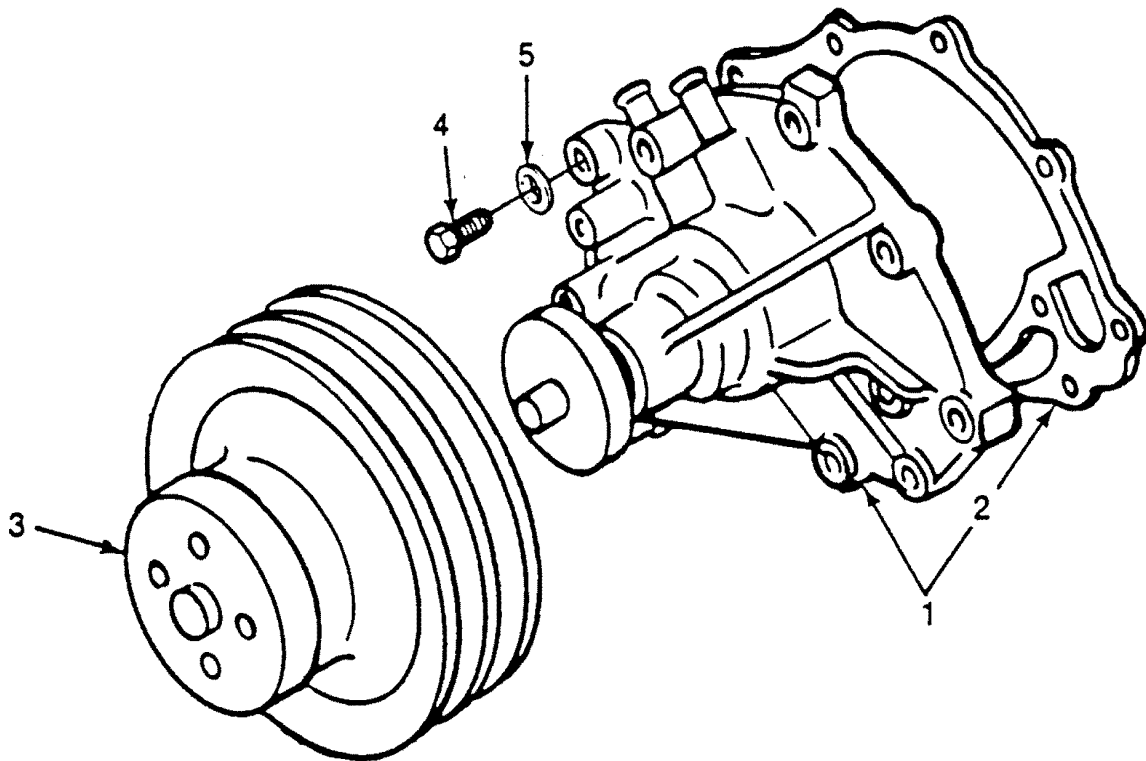


REF 14

OIL PUMP, PAN, AND FILTER

REF. NO.	PART NO.	SYM.	QTY.	DESCRIPTION
1	F724137		1	PUMP ASSEMBLY, OIL
2	F724138		AR	PLUG, OIL PUMP RELIEF VALVE
3	F724139		4	BOLT, OIL PUMP COVER
4	F724140		1	SHAFT, OIL PUMP
5	F724141		1	PICK-UP ASSEMBLY, OIL PUMP
6	F724142		1	GASKET, PICK-UP TO PUMP
7	F724143		1	RING, PUMP SHAFT RETAINER
NS	F8096		2	WASHER, PICK-UP TO PUMP
8	F724145		2	BOLT, OIL PICK-UP TO PUMP
9	F724146		1	PAN ASSEMBLY, OIL
10	F724147		4	SCREW, PAN TO FRONT COVER
11	F724148		18	SCREW, OIL PAN
12	F724149		1	PLUG W/GASKET, OIL DRAIN
13	F724150		1	GASKET, DRAIN PLUG
14	F724151		AR	PLUG, INDICATOR HOLE
15	F642289		1	INDICATOR, OIL LEVEL
16	FA700127		1	TUBE, INDICATOR - CRUISER MODELS
-	FA700330		1	TUBE, INDICATOR - SKI MODELS
NS	F2247		1	SCREW, INDICATOR TUBE
	F8153		1	WASHER, INDICATOR TUBE SCREW
17	F724002		1	FILTER, OIL
18	F724152		1	INSERT, OIL FILTER ADAPTER
19	F724153		1	GASKET SET, OIL PAN (REMOVE TABS AS SHOWN)
NS	F700801		1	FITTING, BANJO - OIL TUBE
	F700803-1		0	GASKET, BANJO FITTING - INNER
	F700805		1	1 GASKET, BANJO FITTING - OUTER
	F700069-1		1	BOLT, BANJO FITTING
	FA700660		1	TUBE ASSEMBLY, OIL REMOVAL

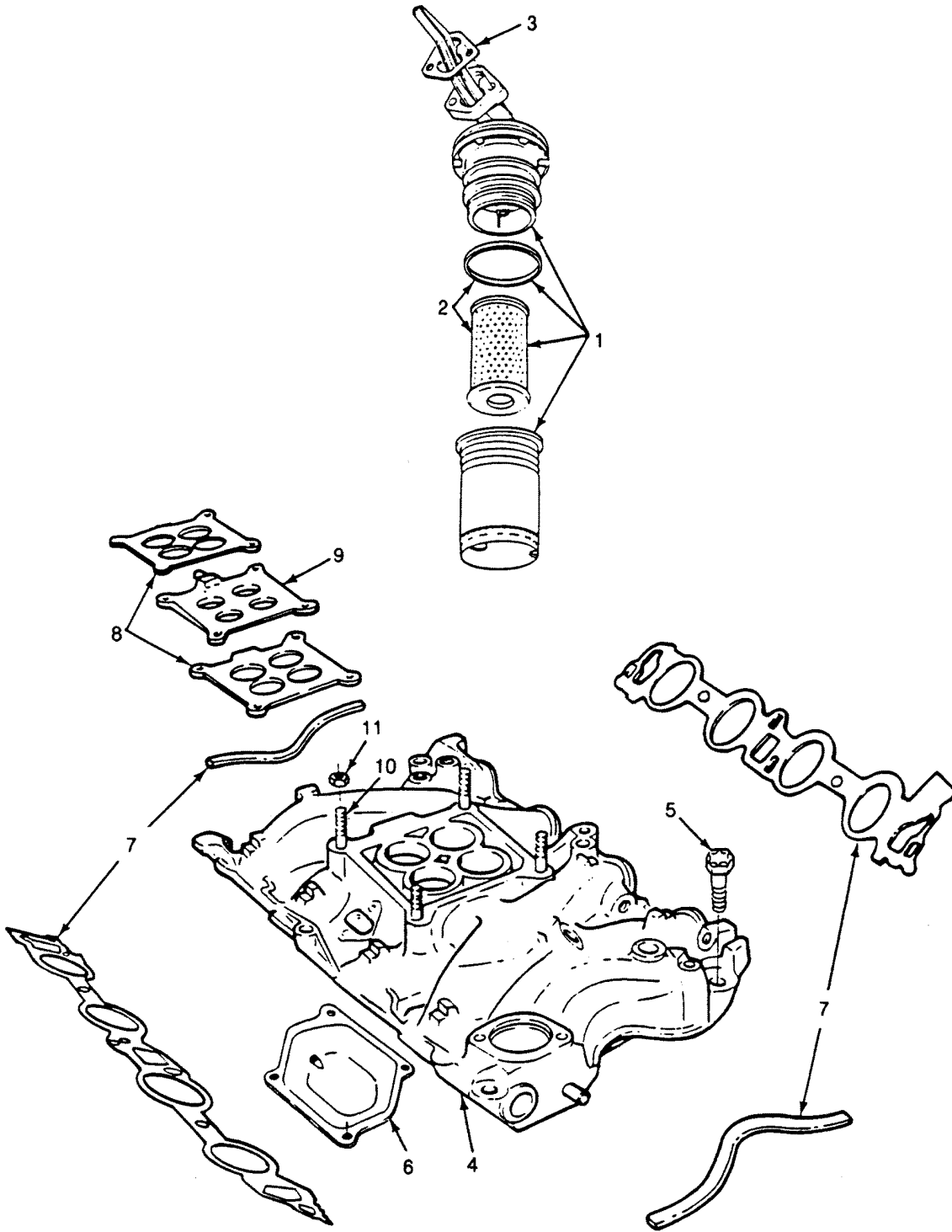
ENGINE WATER PUMP



ENGINE WATER PUMP

REF. NO.	PART NO.	SYM.	QTY.	DESCRIPTION
1	F724159		1	PUMP ASSEMBLY, WATER
2	F724160		1	GASKET, WATER PUMP TO FT. COVER
3	F642239		1	PULLEY, WATER PUMP
4	F724161		AR	BOLT, WATER PUMP - 5/16 - 18 X 5
-	F724162		AR	BOLT, WATER PUMP - 5/16 - 18 X 7/8
-	F724163		AR	BOLT, WATER PUMP - 5/16 - 18 X 3-5/8
-	F724164		AR	BOLT, WATER PUMP - 5/16 - 18 X 4
-	F724165		AR	BOLT, WATER PUMP - 5/16 - 18 X 1-1/2
-	F724166		0	BOLT, FT. COVER TO BLK. - 5/16 - 18 X 2-1/2
5	F724167		AR	WASHER, WATER PUMP BOLT
6	F642249		1	BELT, WATER PUMP & ALT.
NS	F700211		4	SCREW, WATER PUMP PULLEY

INTAKE MANIFOLD AND FUEL PUMP



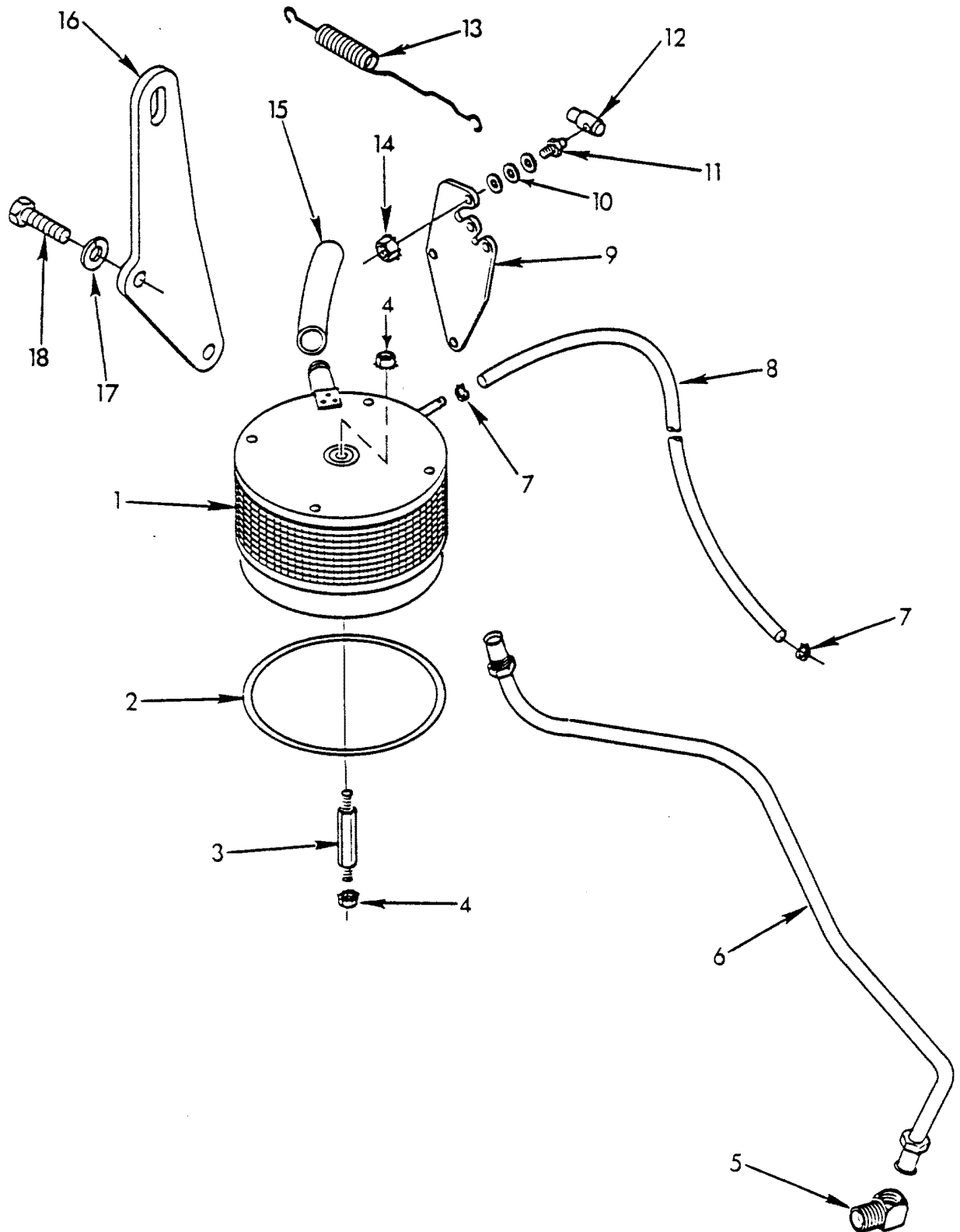
INTAKE MANIFOLD AND FUEL PUMP

REF. NO.	PART NO.	SYM.	QTY.	DESCRIPTION
1	F642431		1	PUMP ASSY., FUEL - W/BOLTS & GASKET
2	F724003-1		1	FILTER, FUEL
3	F700500		1	GASKET, FUEL PUMP
4	F724168		1	MANIFOLD, INTAKE
5	F724169		AR	BOLT, INTAKE MANIFOLD
6	F724170		1	BAFFLE, PUSH ROD VALLEY
7	F724171		1	GASKET SET, INTAKE MANIFOLD (FOR MODEL 35.1L01A)
-	F724172		1	GASKET SET, INTAKE MANIFOLD (FOR ALL LATE MODEL ENGINES)
8	F724173		2	GASKET, CARBURETOR
9	F724174		1	SPACER PLATE, CARBURETOR
10	F724175		4	STUD, CARBURETOR
11	F724176		4	NUT, CARBURETOR STUD
NS	F700586		1	NIPPLE, FUEL INLET

CARBURETOR

REF. NO.	PART NO.	SYM.	QTY.	DESCRIPTION
1	F724177		1	CARBURETOR ASSEMBLY 4V
2	F724178		AR	KIT, REPAIR - CARBURETOR

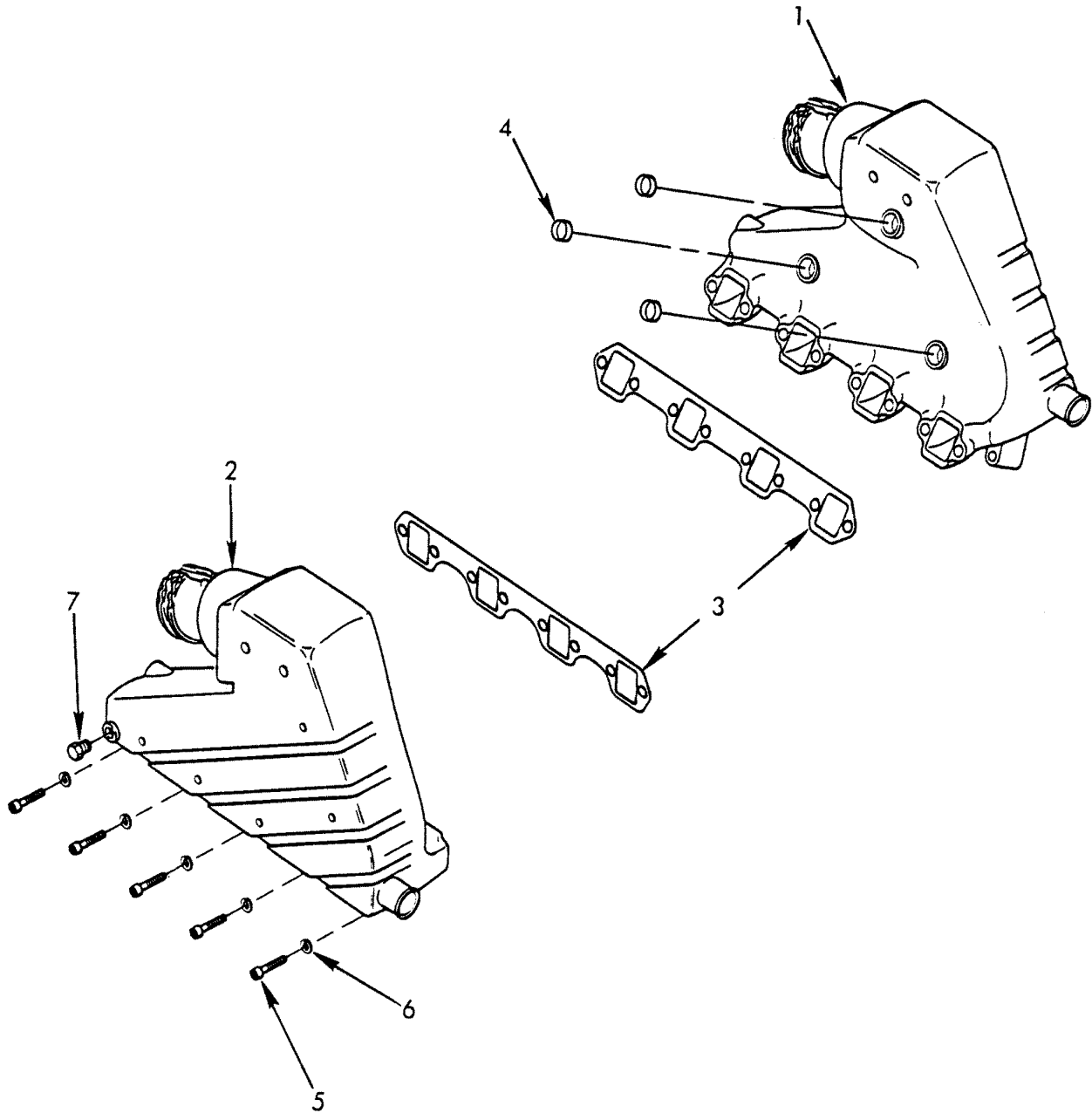
FUEL LINE AND FLAME ARRESTOR



FUEL LINE AND FLAME ARRESTOR

REF. NO.	PART NO.	SYM.	QTY.	DESCRIPTION
1	F700176		1	FLAME ARRESTOR
2	F642168		1	GASKET, FLAME ARRESTOR
3	F642236		1	STUD, FLAME ARRESTOR
4	F7046		1	NUT, FLAME ARRESTOR
5	F642314		1	ELBOW, FUEL PUMP
6	F700796		1	LINE, FUEL
7	F700550		2	CLAMP, VENT HOSE
8	F700543		1	VENT HOSE, FUEL PUMP
9	F642872-2		1	BRACKET
10	F700402		3	WASHER, ROD END STUD
11	F640273-1		0	STUD, ROD END CONNECTOR
12	F58685-2		1	ROD END
13	F700290		1	SPRING, THROTTLE RETURN (SKI ENGINE ONLY)
14	F7063		1	NUT/WASHER, ROD END STUD
15	F697414		1	HOSE, CRANKCASE VENT
16	F642439		2	BRACKET, ENGINE LIFT
17	F1703		4	WASHER, LOCK
18	F1867		4	SCREW, LIFT BRACKET

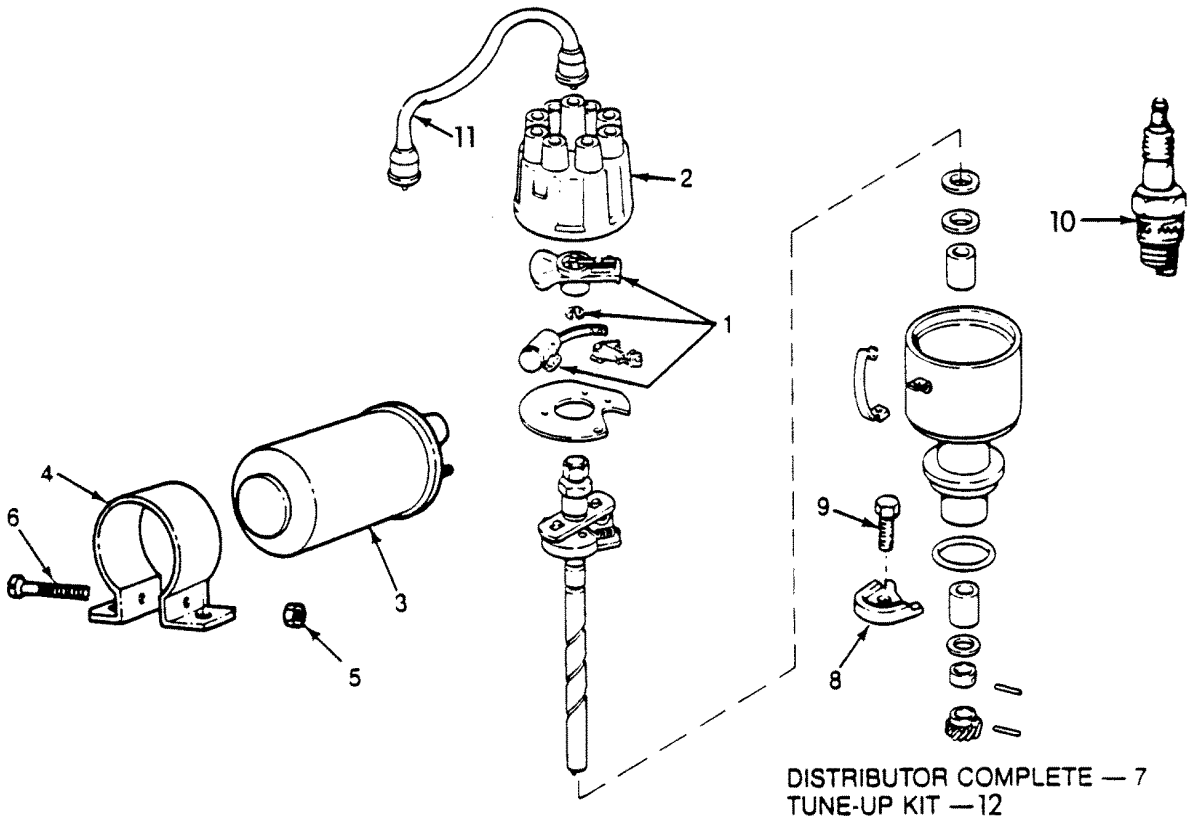
EXHAUST MANIFOLDS



EXHAUST MANIFOLDS

REF. NO.	PART NO.	SYM.	QTY.	DESCRIPTION
1	FA697167		1	MANIFOLD, EXHAUST - PORT
2	FA697168		1	MANIFOLD, EXHAUST - STARBOARD
3	F642159		2	GASKET, EXHAUST MANIFOLD
4	F700798		3	PLUG, CUP 1" BRASS
5	F2257		5	SCREW, EXHAUST MANIFOLD
6	F8130		5	WASHER, EXHAUST MANIFOLD SCREW
7	F700590		2	PLUG, DRAIN

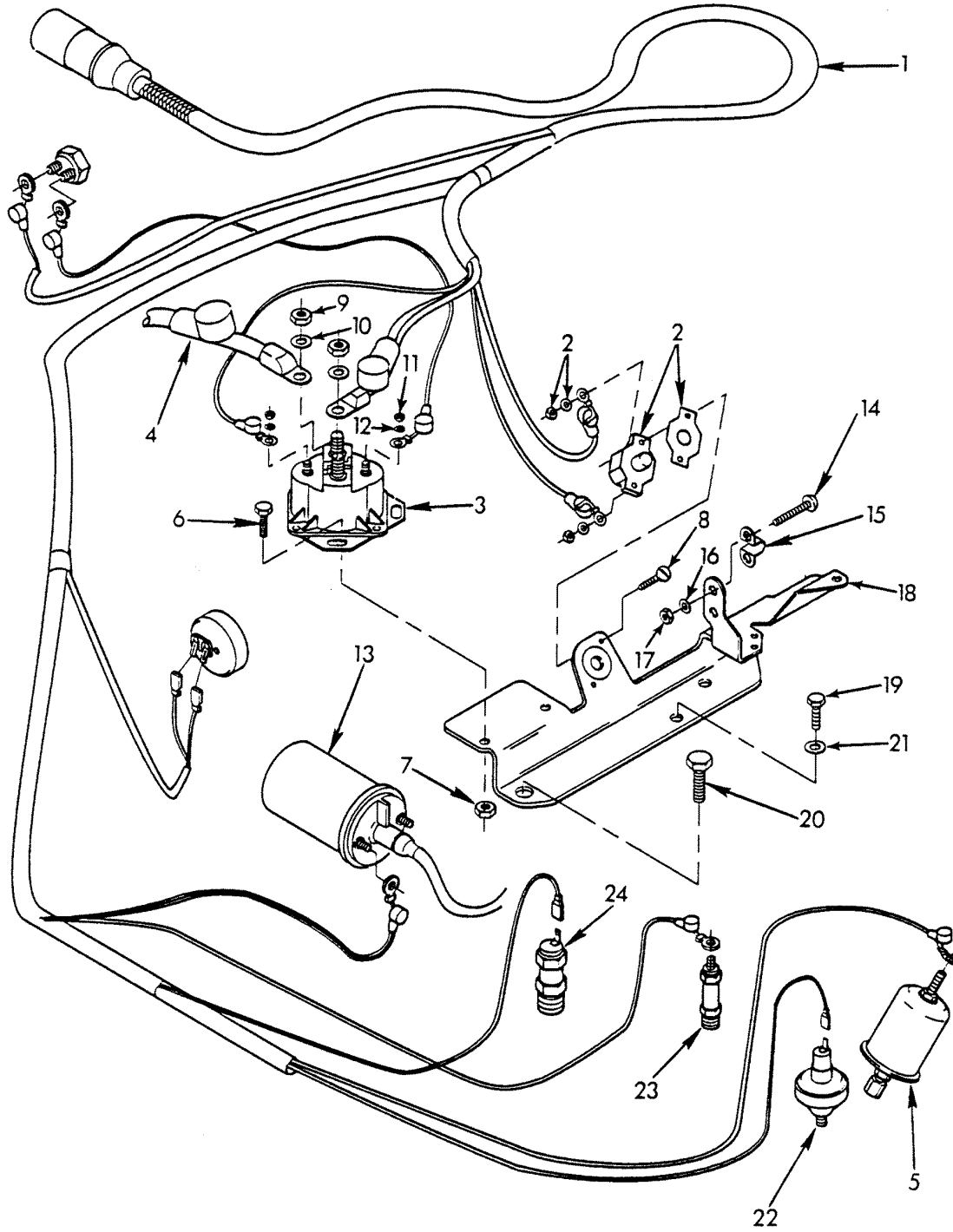
IGNITION SYSTEM



IGNITION SYSTEM

REF. NO.	PART NO.	SYM.	QTY.	DESCRIPTION
1	F724190		1	KIT, REPAIR (POINTS, COND., ROTOR)
2	F724191		1	CAP, DISTRIBUTOR
3	F724192		1	COIL ASSY., POINTS TYPE - EXTERNAL RESISTOR
4	F724193		1	STRAP, COIL
5	F724194		1	NUT, STRAP BOLT
6	F724195		1	BOLT, COIL STRAP
7	F724196		1	DISTRIBUTOR ASSY., POINTS TYPE
8	F724200		1	CLAMP, DISTRIBUTOR
9	F724201		1	SCREW ASSEMBLY, CLAMP
10	F724001		8	SPARK PLUG
11	F724198		1	WIRE, COIL
12	F724199		AR	KIT, TUNE-UP (POINTS, CONDENSER, ROTOR SPARK PLUGS, CAM LUBE, FEELER GAUGE)
NS	F700841		1	WIRE SET, IGNITION
	F1513		2	NUT, COIL TERMINAL - #10 - 32
	F1975		2	WASHER, LOCK - COIL TERMINAL
	F642309		AR	DISTRIBUTOR ASSY., ELECTRONIC TYPE
	F639475		AR	COIL ASSY., ELECTRONIC - EXTERNAL RESISTOR

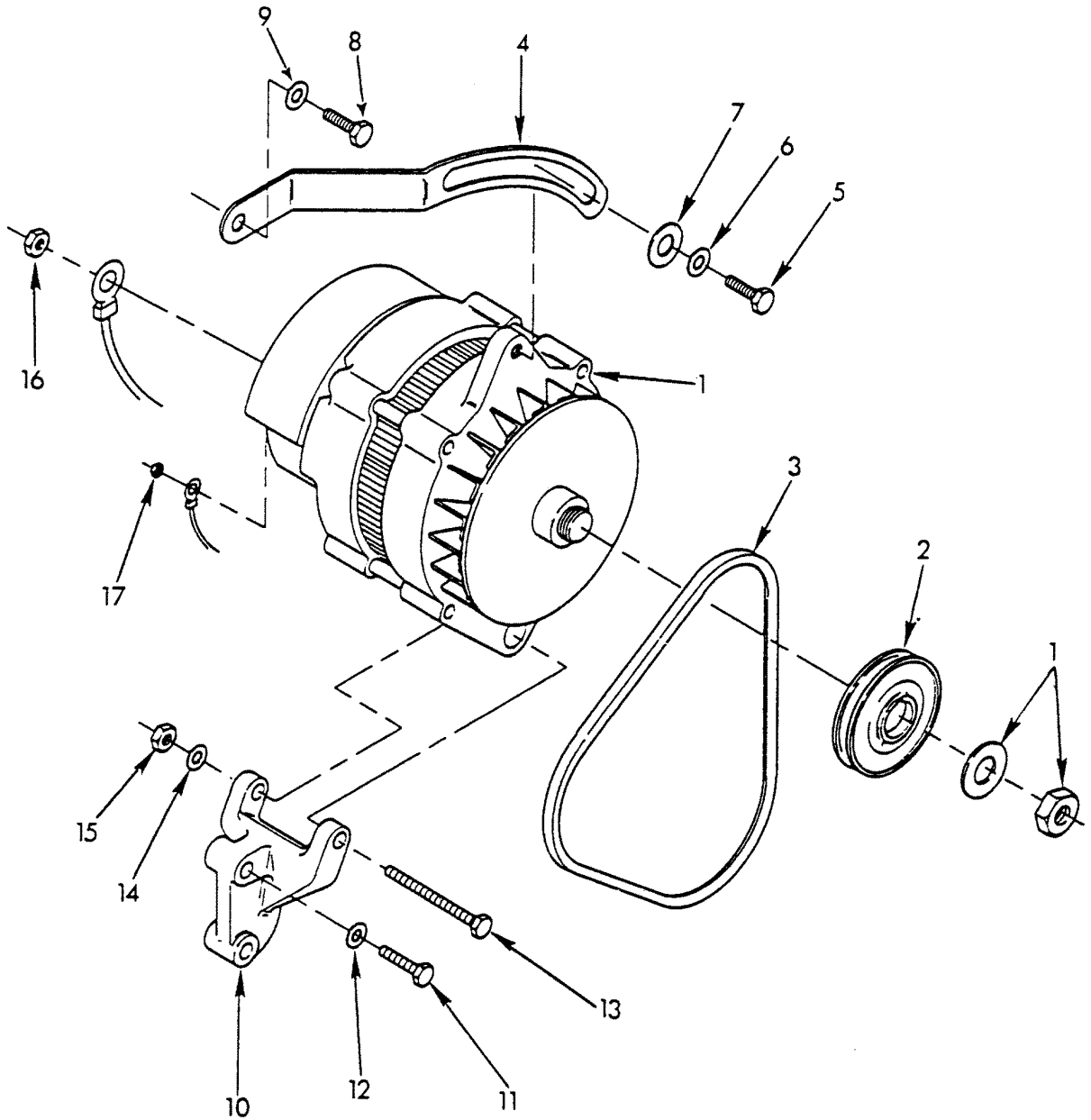
ELECTRICAL PARTS



ELECTRICAL PARTS

REF. NO.	PART NO.	SYM.	QTY.	DESCRIPTION
1	F700844		1	WIRING HARNESS
2	F639460		1	CIRCUIT BREAKER
3	F642917		1	RELAY, STARTER
4	F700631		1	WIRE, STARTER
5	F700918		1	SENDER, OIL PRESSURE - SINGLE STATION
6	F1236		2	SCREW, SOLENOID
7	F7063		2	NUT, SOLENOID SCREW
8	F1303		2	SCREW, CIRCUIT BREAKER
9	F1515		2	NUT, SOLENOID TERMINAL - 5/16 - 18
10	F1901		2	WASHER, SOLENOID TERMINAL - 5/16
11	F1513		2	NUT, SOLENOID TERMINAL - #10 - 32
12	F1975		2	WASHER, SOLENOID TERMINAL - #10
13	F724192		1	COIL ASSEMBLY
NS	F1513		2	NUT, COIL TERMINAL
	F1975		2	WASHER, COIL TERMINAL
	F700177		1	ADAPTER, OIL SENDER/SWITCH
14	F2265		2	SCREW, CLAMP - CABLE MOUNTING
15	F154317		1	CLAMP, CABLE MOUNTING
16	F1975		2	WASHER, CLAMP SCREW
17	F1513		2	NUT, CLAMP SCREW
18	F642872-2		1	BRACKET
19	F1902		2	SCREW, BRACKET MOUNTING
20	F2296		1	SCREW, BRACKET MOUNTING
21	F1901		2	WASHER, BRACKET SCREW
22	F700602		1	SWITCH, OIL PRESSURE ALARM
23	F700791		1	SENDER, WATER TEMP. SINGLE STATION
24	F700691		1	SWITCH, WATER TEMP. ALARM (SKI BOAT)
NS	F700690		1	SENDER, WATER TEMP - DUAL STATION
	F708432		1	SENDER, OIL PRESSURE - DUAL STATION
	FI6900192		1	INTERRUPTER, CIRCUIT
	F700935		1	SWITCH, WATER TEMP. ALARM (CRUISER)

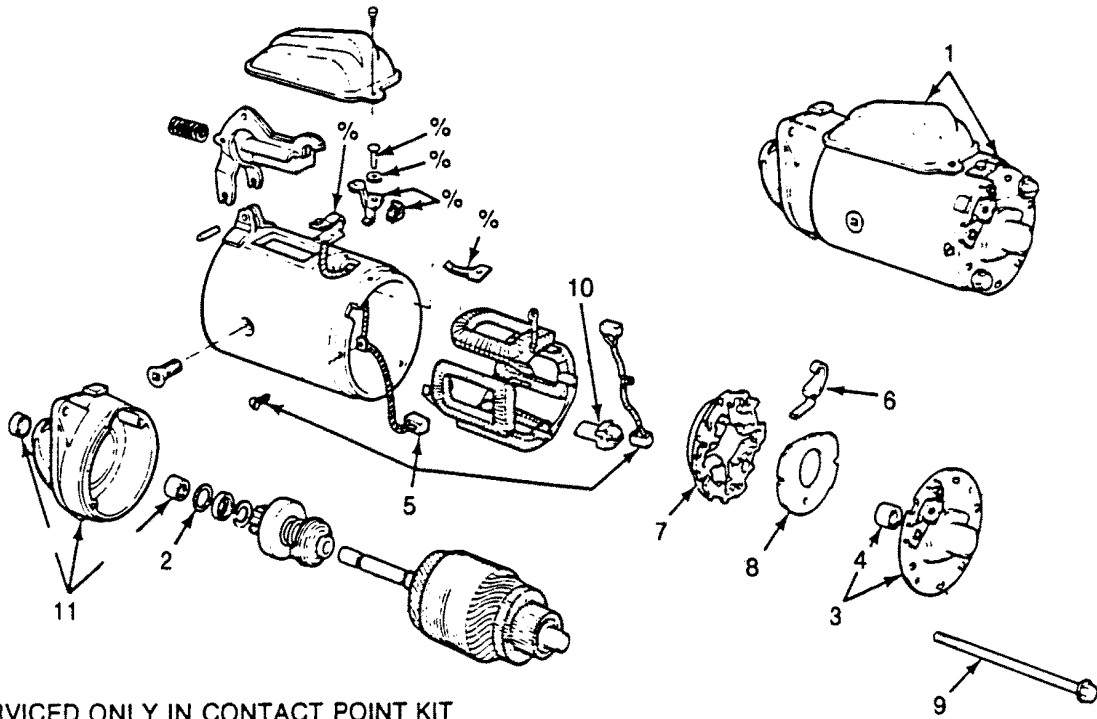
ALTERNATOR



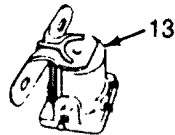
ALTERNATOR

REF. NO.	PART NO.	SYM.	QTY.	DESCRIPTION
1	F641308		1	ALTERNATOR
2	F640240		1	PULLEY, ALTERNATOR
3	F642249		1	BELT, ALTERNATOR & WATER PUMP
4	F700419		1	STRAP, ADJUST - ALTERNATOR
5	F1823		1	SCREW, ADJUST - 5/16 - 18 X 1
6	F1901		1	WASHER, LOCK - ADJUST SCREW
7	F8174		0	WASHER, FLAT - ADJUST SCREW
8	F1247		1	SCREW, STRAP
9	F1901		1	WASHER, LOCK, - STRAP SCREW
10	F642964-1		1	BRACKET, ALTERNATOR MOUNT
11	F2179		2	SCREW, BRACKET
12	F1901		2	WASHER, LOCK - BRACKET SCREW
13	F2267		1	SCREW, ALTERNATOR PIVOT
14	F1703		1	WASHER, PIVOT SCREW
15	F1347		1	NUT, PIVOT SCREW
16	F7063		1	NUT/WASHER, TERMINAL - BATT. 1/4 - 20
17	F7011		1	NUT, TERMINAL - FIELD #10 - 24

STARTER



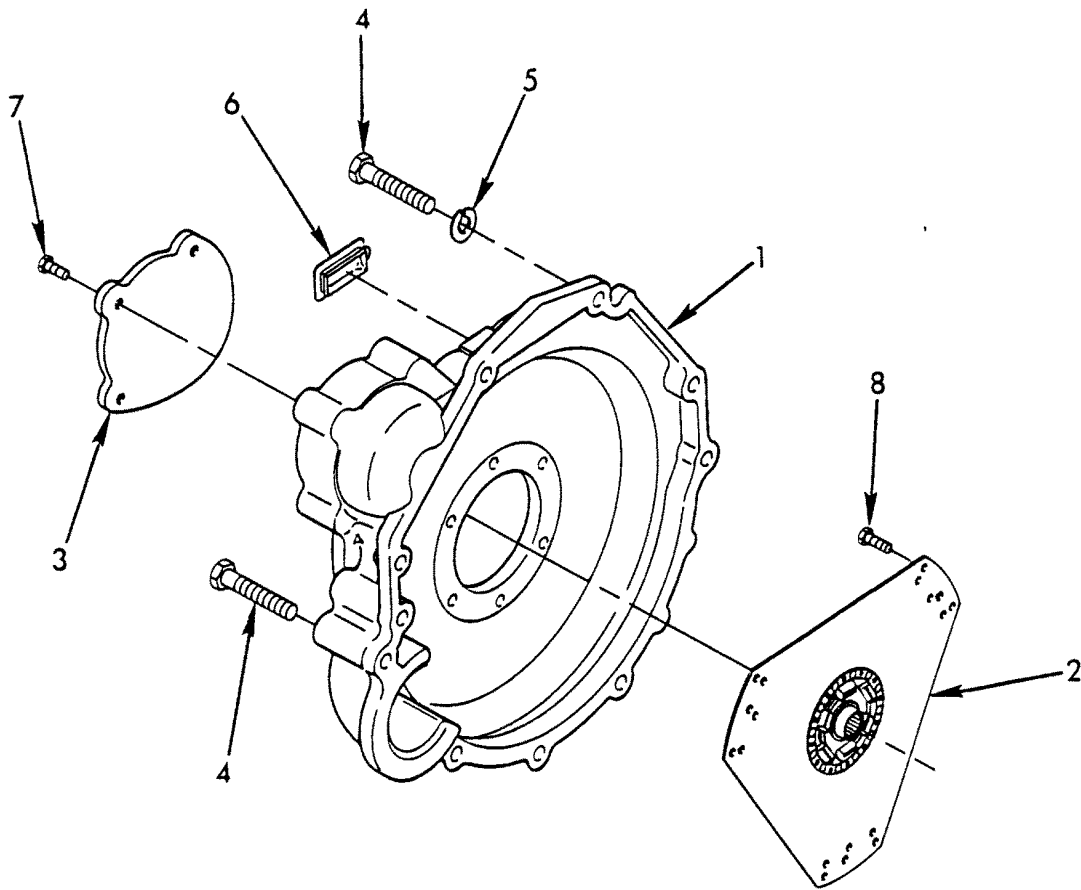
%SERVICED ONLY IN CONTACT POINT KIT



STARTER

REF. NO.	PART NO.	SYM.	QTY.	DESCRIPTION
1	F700661		1	STARTER ASSEMBLY
2	F724179		1	WASHER, ARMATURE THRUST - STEEL
3	F724180		1	PLATE & BUSHING, BRUSH END
4	F724181		1	BUSHING, BRUSH END PLATE
5	F724182		1	BRUSH SET, STARTER
6	F724183		4	SPRING, BRUSH
7	F724184		1	HOLDER, BRUSH
8	F724185		1	INSULATOR, BRUSH HOLDER
9	F724186		2	BOLT, THROUGH
10	F724187		1	GROMMET
11	F724188		1	HOUSING ASSEMBLY, DRIVE END
12	F724189		1	POINT KIT, CONTACT
13	F642917		1	RELAY - STARTER
NS	F700631		1	CABLE, STARTER
	F642374		1	DECAL, STARTER
	F1513		2	NUT, RELAY TERMINAL - #10 - 32
	F1975		2	WASHER, RELAY TERMINAL - #10
	F1515		2	NUT, RELAY TERMINAL - 5/16 - 18
	F1901		2	WASHER, RELAY TERMINAL - 5/16
	F2267		2	SCREW, STARTER MOUNT
	F1778		4	WASHER, STARTER MOUNT SCREW
	F1347		2	NUT, STARTER MOUNT SCREW

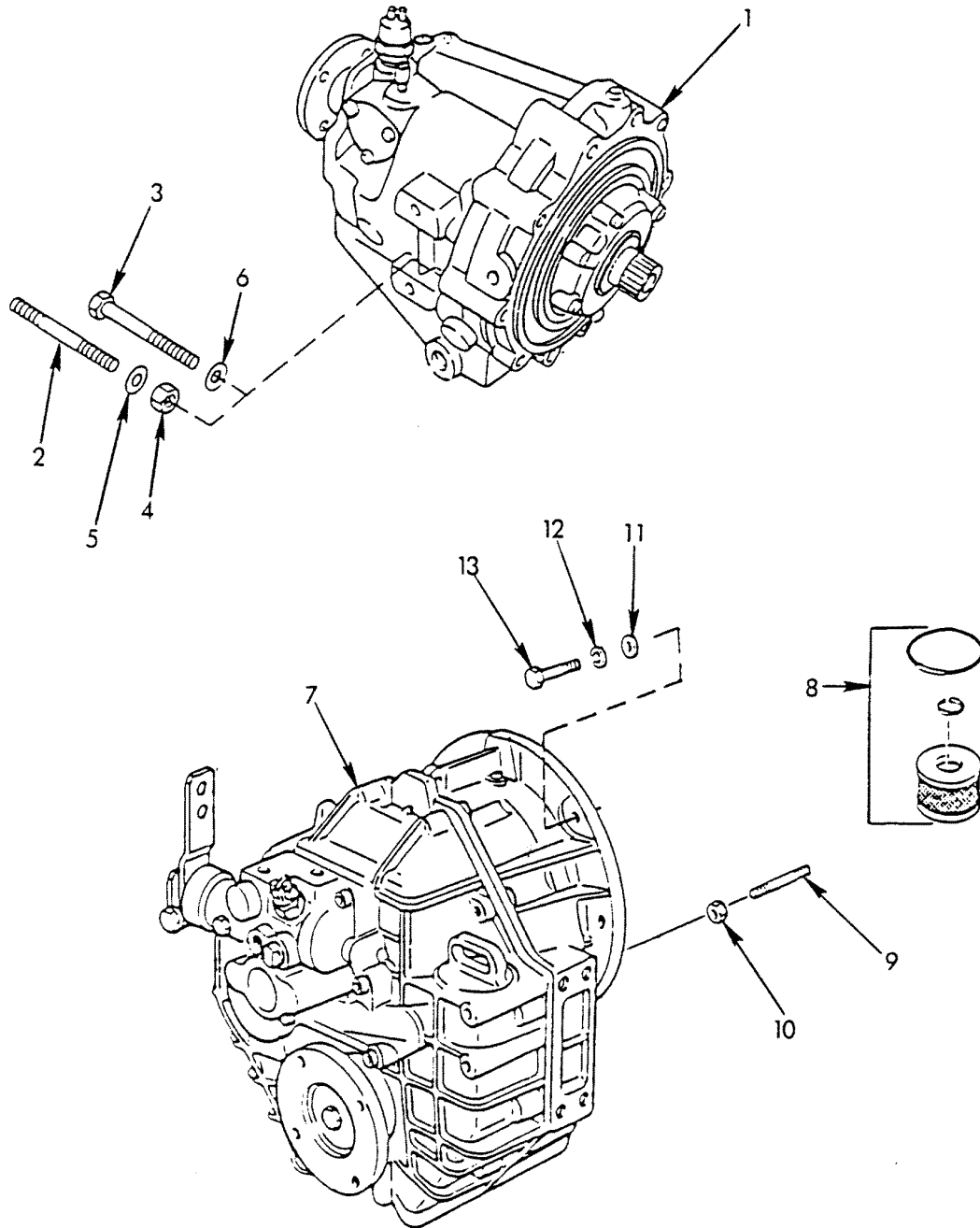
FLYWHEEL HOUSING AND DRIVE PLATE



FLYWHEEL HOUSING AND DRIVE PLATE

REF. NO.	PART NO.	SYM.	QTY.	DESCRIPTION
1	F700482		1	HOUSING, FLYWHEEL
2	F641024		1	PLATE, DAMPER
3	F700423		1	PLATE, COVER - STARTER HOLE
4	F2147		4	SCREW, F/W HOUSING - 7/16 - 14 X 1-1/2
-	F2266		2	SCREW, F/W HOUSING - 7/16 - 14 X 3-1/2
-	F1491		2	SCREW, F/W HOUSING - LOWER 5/16 - 18 X 3-1/4
5	F8153		6	WASHER, LOCK - HOUSING SCREW 7/16
-	F8165		5	WASHER, FLAT - HOUSING SCREW 7/16
-	F1901		2	WASHER, LOCK - HOUSING SCREW 5/16
NS	F1515		2	NUT, HOUSING SCREW LOWER - 5/16 - 18
6	F700149		1	COVER, TIMING WINDOW
7	F2217		3	SCREW, COVER PLATE - STARTER
8	F2203		6	BOLT, DAMPER PLATE
NS	F1901		6	WASHER, LOCK - DAMPER PLATE SCREW
	F2217		2	SCREW, TIMING WINDOW COVER
	F2267		2	SCREW, STARTER MOUNTING
	F1778		2	WASHER, STARTER SCREW
	F1347		2	NUT, STARTER SCREW
	F1703		2	WASHER, LOCK - STARTER SCREW

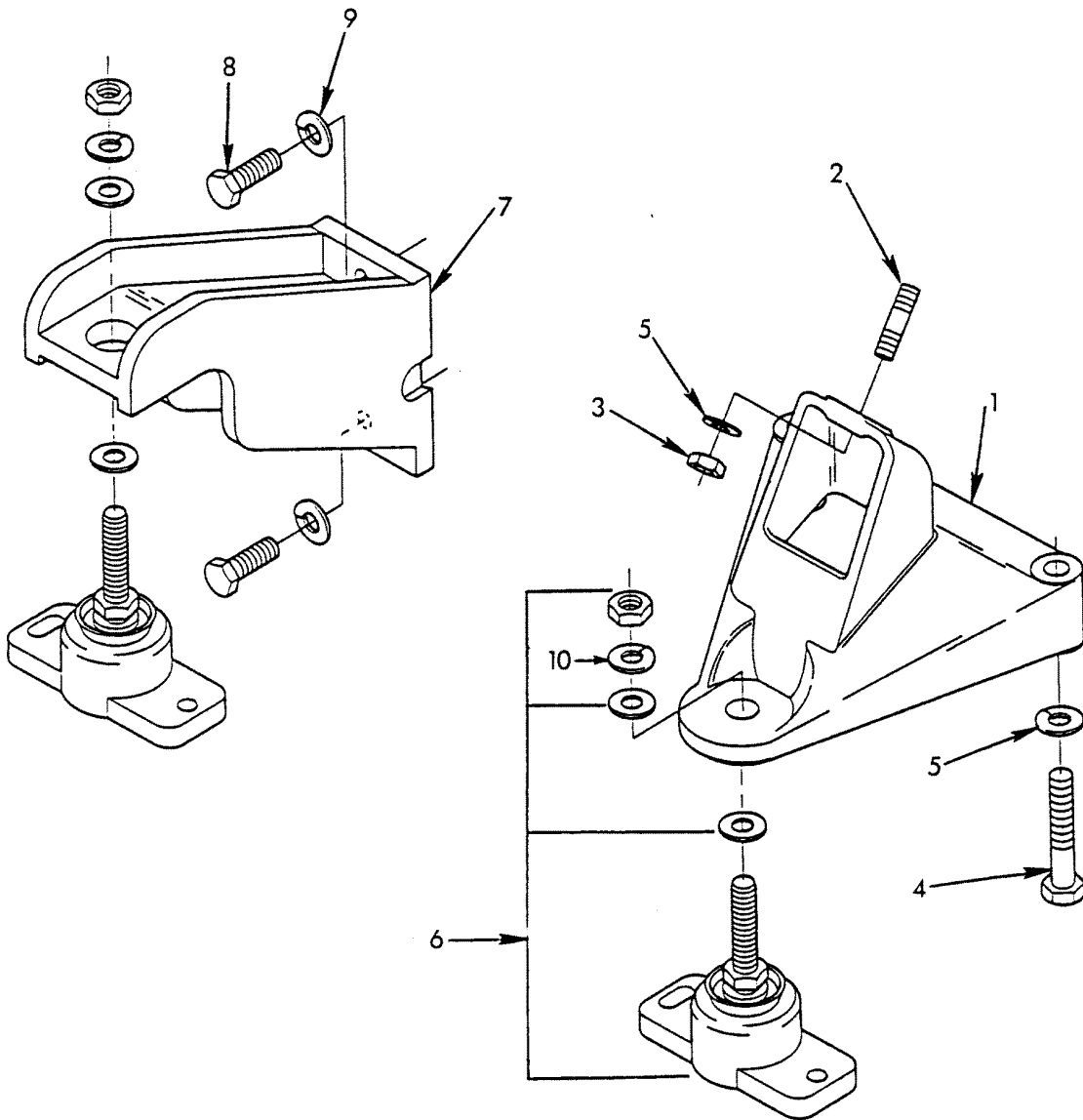
TRANSMISSION



TRANSMISSION

REF. NO.	PART NO.	SYM.	QTY.	DESCRIPTION
1	F700100		1	GEAR, WARNER-10-17-000-004 (1:1)
2	F700441		2	STUD, GEAR MOUNT
3	F2266		4	SCREW, GEAR MOUNT
4	F7071		2	NUT, GEAR MOUNT STUD
5	F8153		2	WASHER, LOCK
6	F8171		4	WASHER, FLAT
7	160330030		1	GEAR, HURTH - HSW630A (2.5:1)
8	FI9608751		AR	FILTER KIT, HURTH GEAR
9	F700440		2	STUD, GEAR MOUNT
10	F2065		2	NUT, GEAR MOUNT STUD
11	F8165		6	WASHER, FLAT
12	F8153		4	WASHER LOCK
13	F2285		4	SCREW, GEAR MOUNT

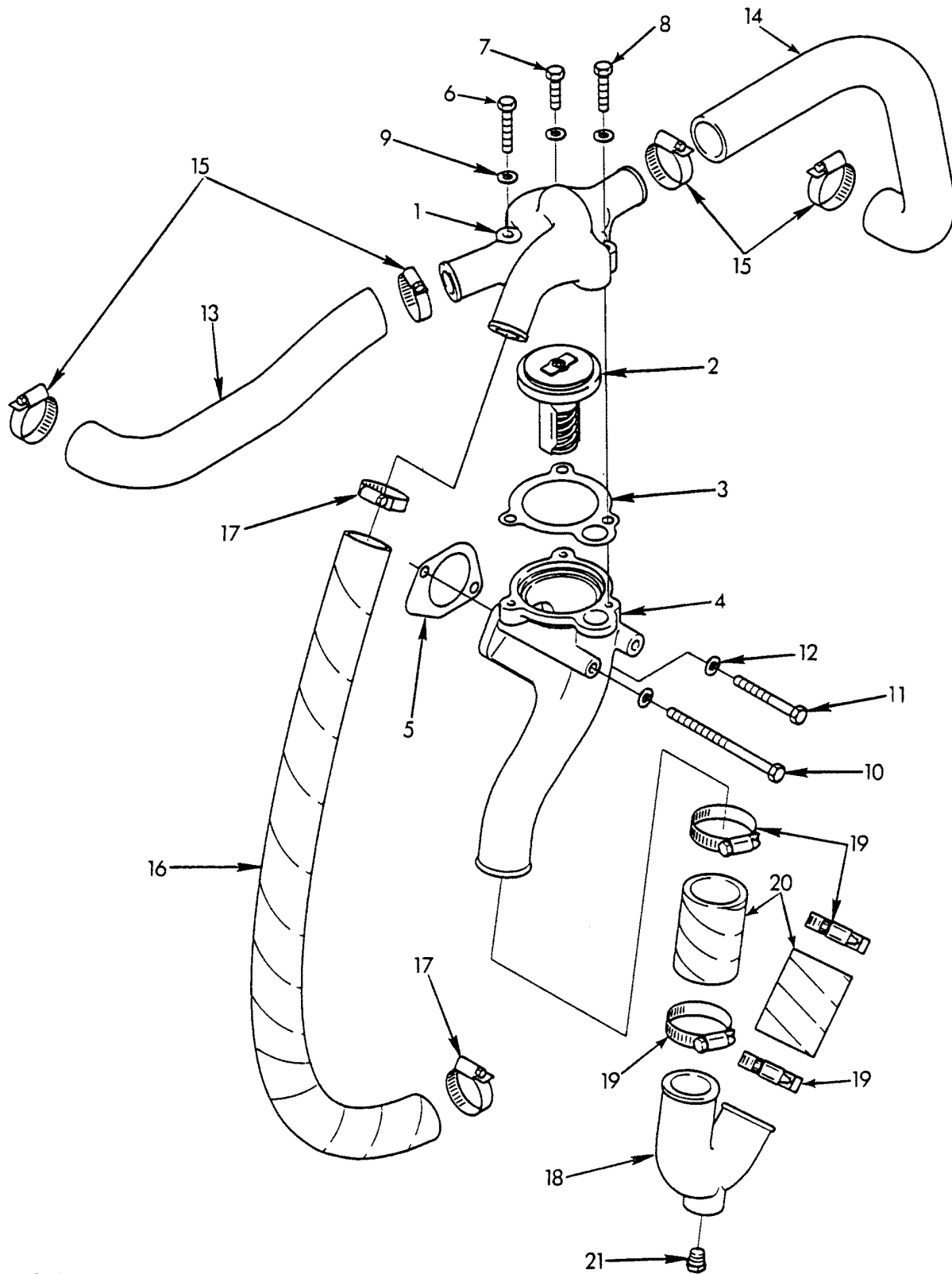
ENGINE AND TRANSMISSION MOUNTS



ENGINE AND TRANSMISSION MOUNTS

REF. NO.	PART NO.	SYM.	QTY.	DESCRIPTION
1	F642354-1		2	MOUNT, ENGINE - FRONT
2	F2264		2	SCREW, SET - MOUNT TO BLOCK
3	F7072		2	NUT, LOCK - MOUNT SCREW
4	F2168		4	SCREW, MOUNT TO BLOCK
5	F8153		4	WASHER, LOCK - MOUNT SCREW
6	F642962		4	MOUNT, ISOLATOR
7	F700612		2	MOUNT, GEARBOX - W/WARNER GEAR
-	F700702		2	MOUNT, GEARBOX - W/HURTH GEAR
8	F2285		4	SCREW, MOUNT - W/WARNER GEAR
-	F2415		8	SCREW, MOUNT TO GEAR - W/HURTH GEAR
9	F8153		4	WASHER, MOUNT SCREW - W/WARNER GEAR
-	F8175		8	WASHER, LOCK - MOUNT SCREW W/HURTH GEAR
10	F8068		4	WASHER, LOCK - ISOLATOR MOUNT

RAW WATER COOLING SYSTEM

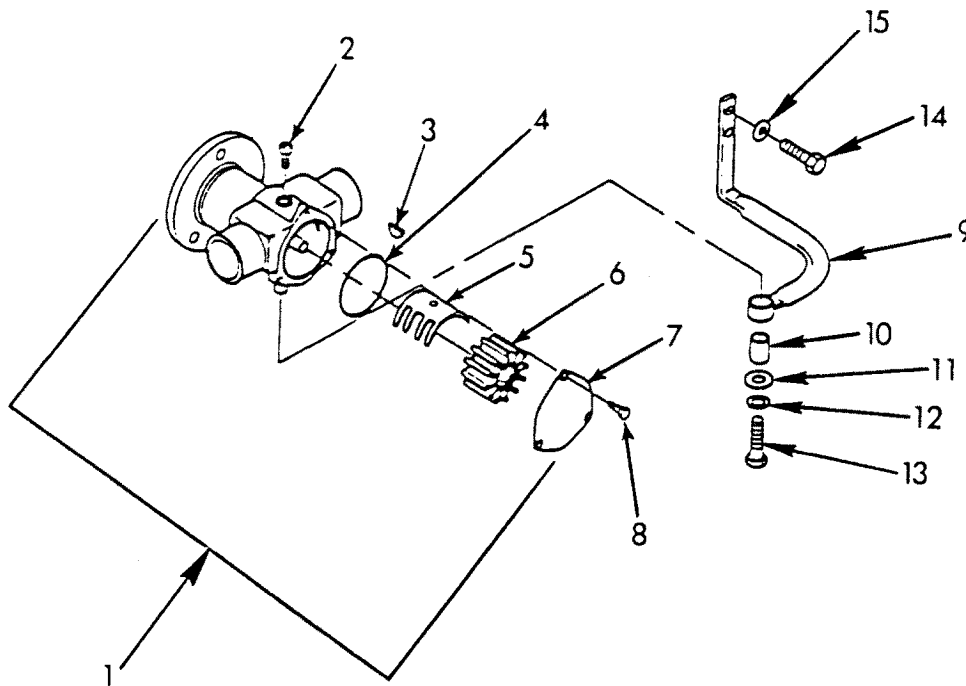
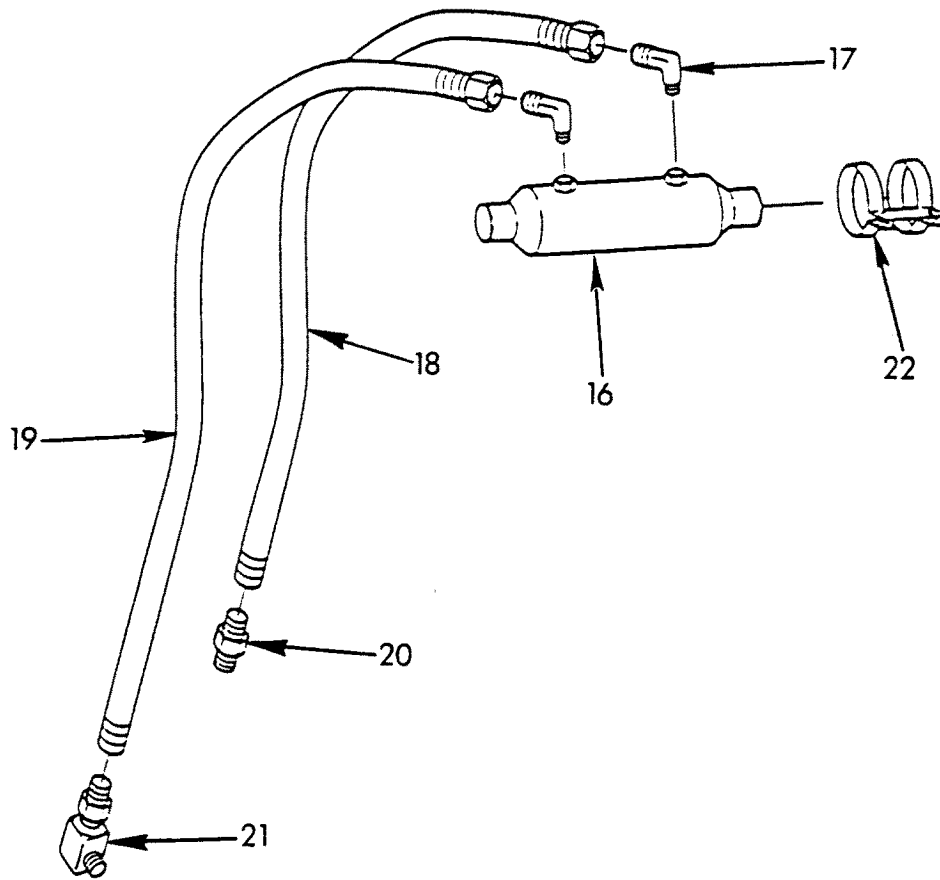


PAGE 10

RAW WATER COOLING SYSTEM

REF. NO.	PART NO.	SYM.	QTY.	DESCRIPTION
1	F642066		1	HOUSING, THERMOSTAT - UPPER
2	F2A700068		1	THERMOSTAT 140
-	F700937		AR	THERMOSTAT 160- W/HEATER
3	F642067		1	GASKET, THERMOSTAT
4	F642493		1	HOUSING, THERMOSTAT - LOWER
5	F642539		1	GASKET, HOUSING - LOWER
6	F1247		1	SCREW, THERM. HSG. - 5/16 - 18 X 1-3/4
7	F2182		1	SCREW, THERM. HSG. - 5/16 - 18 X 1-1/4
8	F1893		1	SCREW, THERM. HSG. - 5/16 - 18 X 1-1/2
9	F1901		3	WASHER, LOCK - 5/16
10	F2180		1	SCREW, THERM. HSG. LWR. - 5/16 - 18 X 5
11	F1827		1	SCREW, THERM. HSG. LWR. - 5/16 - 18 X 2-3/4
12	F1901		2	WASHER, LOCK - THERM. HSG. SCREW
13	F642254-1		1	HOSE, WATER - HSG. TO EXH. MAN.
14	F642253-1		1	HOSE, WATER - HSG. TO EXH. MAN.
15	F700553		4	CLAMP, WATER HOSE
16	F642088		1	HOSE, THERM. HSG. TO GEAR COOLER
17	F700553		2	CLAMP, HOSE
18	F642261		1	ELBOW, COOLING LINE
19	F700555		4	CLAMP, HOSE
20	F642088		1	HOSE
21	F2170		1	PLUG

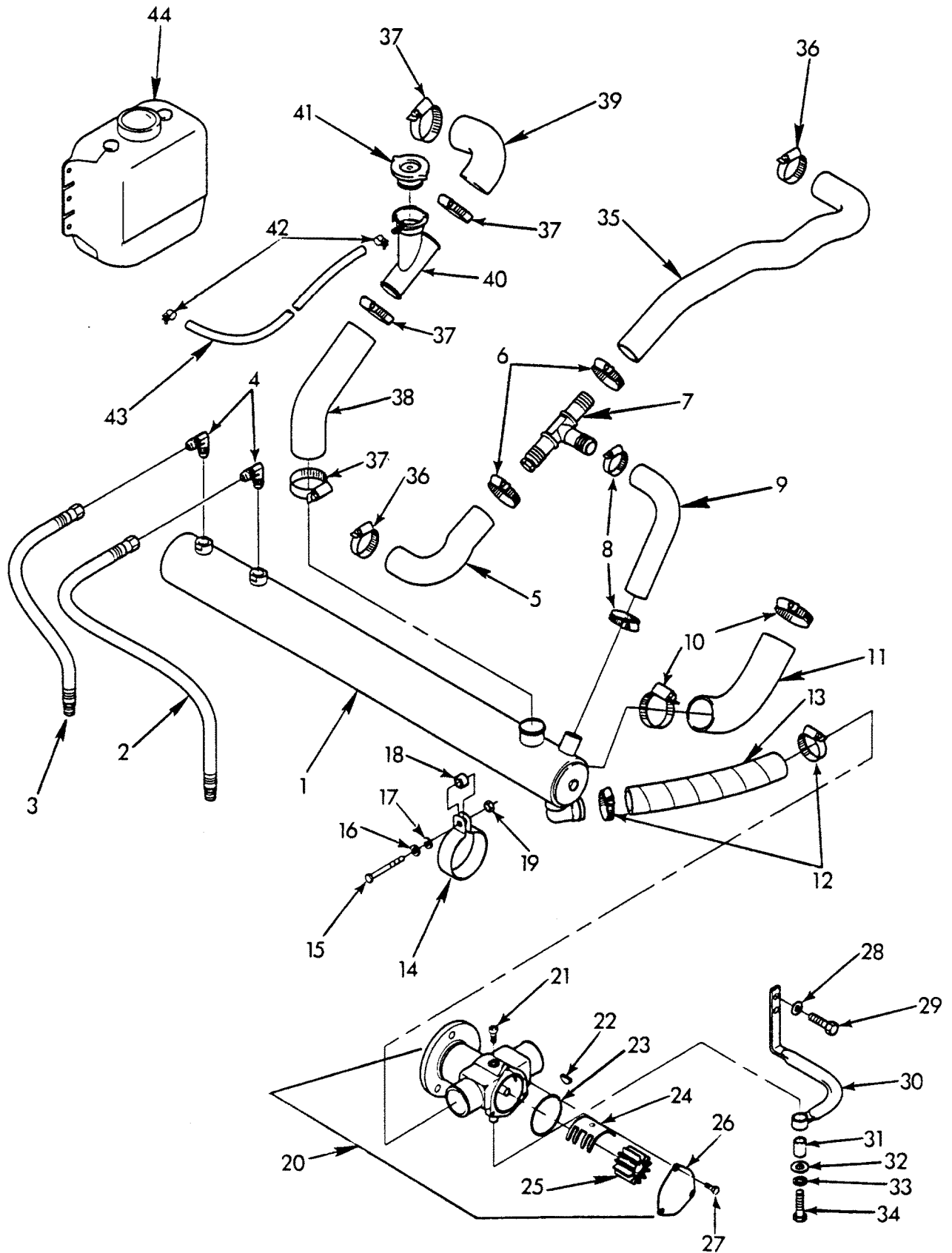
RAW WATER PUMP AND GEAR COOLER



RAW WATER PUMP AND GEAR COOLER

REF. NO.	PART NO.	SYM.	QTY.	DESCRIPTION
1	F700766-1		1	PUMP, RAW WATER
2	F724202		1	SCREW, CAM
1	F724206		1	KEY, WOODRUFF
4	F724207		1	O-RING, COVER
5	F724216		1	CAM
6	F724208		1	IMPELLER
7	F724205		1	COVER
8	F724204		3	SCREW, COVER
9	F700371		1	BRACE, WATER PUMP
10	F700547		1	BUSHING, BRACE
11	F8172		1	WASHER, BRACE TO PUMP SCREW
12	F1901		1	WASHER, LOCK - PUMP SCREW
13	F1902		1	SCREW, BRACE TO PUMP
14	F2302		2	SCREW, BRACE TO BLOCK
15	F8153		2	WASHER, LOCK - BRACE SCREW
16	F700995		1	COOLER, GEAR - SKI ENGINE
17	F700580		2	ELBOW, COOLER HOSE
18	F700770		1	HOSE, COOLER TO GEAR
19	F700771		1	HOSE, COOLER TO GEAR
20	F700585		2	ADAPTER, OIL COOLER HOSE
21	F700662		2	ELBOW, OIL COOLER HOSE
22	F700704		1	BRACKET, GEAR COOLER
NS	GG.2246		3	SCREW, WATER PUMP TO PILOT
	F8130		3	WASHER, WATER PUMP SCREW
	F700012		1	PILOT, RAW WATER PUMP

CLOSED COOLING SYSTEM



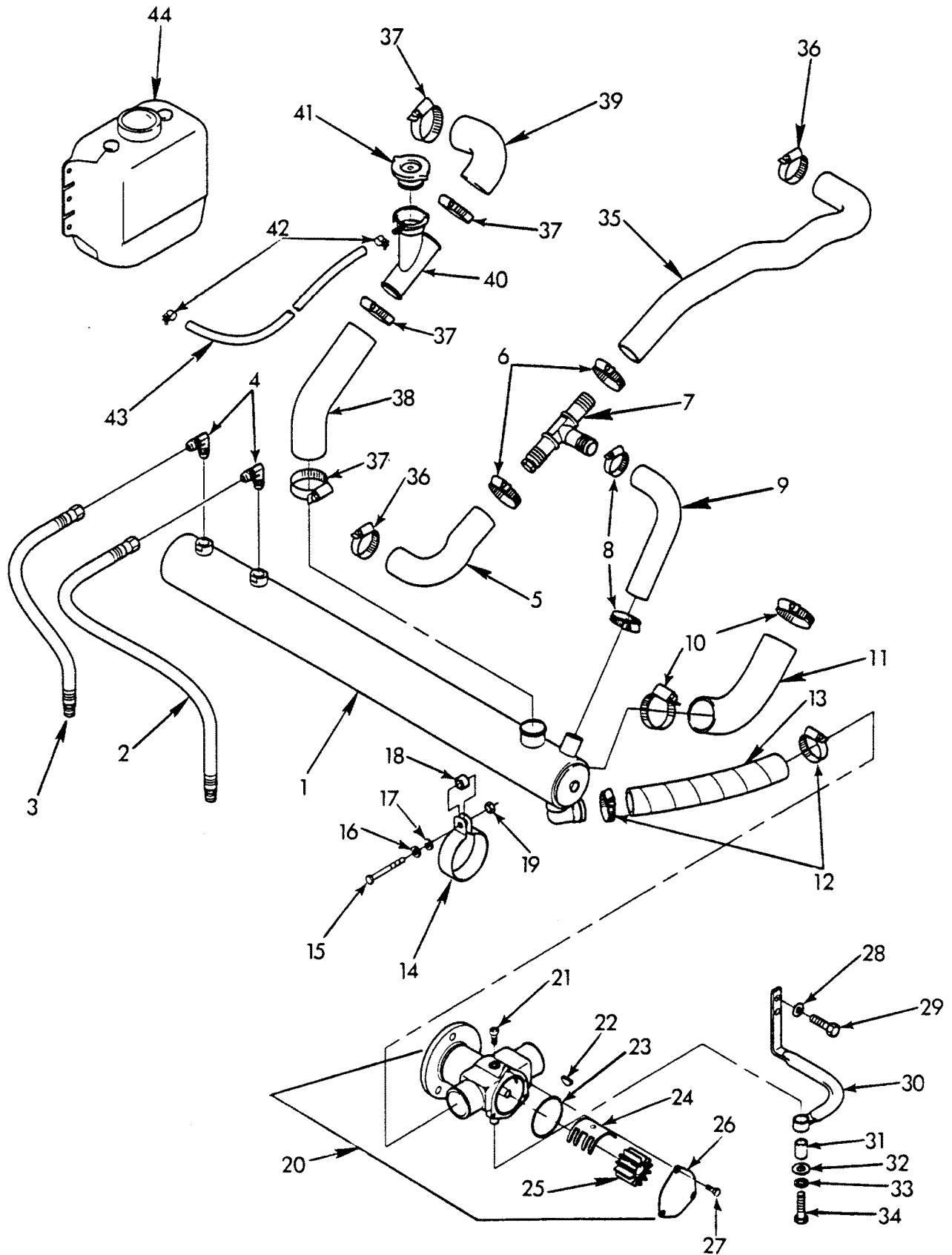
GF 44

CLOSED COOLING SYSTEM

REF. NO.	PART NO.	SYM.	QTY.	DESCRIPTION
1	F700234		1	HEAT EXCHANGER
2	F700773		2	HOSE, GEAR OIL
3	F700772		3	HOSE, GEAR OIL
4	F700580		2	ELBOW
5	F700753		1	HOSE
6	F700552		2	CLAMP
7	F700418		1	TEE, WATER
8	F700552		2	CLAMP
9	FA700254		1	HOSE, RAW WATER
10	F700555		2	CLAMP
11	FA700243		1	HOSE, FRESH WATER
12	F700553		2	CLAMP
13	F700253		1	HOSE, RAW WATER
14	F700454		1	CLAMP, HEAT EXCHANGER
15	F1827		1	SCREW
16	F1901		1	WASHER, LOCK
17	FI4100005		1	WASHER, FLAT
18	F700547		1	SPACER
19	F1515		1	NUT
20	F700766-1		1	PUMP, RAW WATER
21	F724202		1	SCREW, CAM
22	F724206		1	KEY, WOODRUFF
23	F724207		1	O-RING
24	F724216		1	CAM
25	F724208		1	IMPELLER
26	F724205		1	COVER
27	F724204		3	SCREW, COVER
28	F8153		2	WASHER, LOCK
29	F2302		2	SCREW, 7/16 - 14 X 1
30	F700371		1	BRACE, RAW WATER PUMP
31	F700547		1	BUSHING, BRACE
32	F8172		1	WASHER, FLAT
33	F1901		1	WASHER, LOCK
34	F1902		1	SCREW, 5/16 - 18 X 3/4
35	F700752		1	HOSE
36	F700553		2	CLAMP
37	F700554		2	CLAMP
38	F700243		1	HOSE - MUST CUT TO FIT
39	F700243		1	HOSE - MUST CUT TO FIT
40	F700125		1	TEE, COOLANT FILL
41	F700679		1	CAP, PRESSURE
42	F700557		2	CLAMP, COOLANT RESERVE TUBE

CONTINUED ON NEXT PAGE ➡

CLOSED COOLING SYSTEM



GF 44

CLOSED COOLING SYSTEM

REF. NO.	PART NO.	SYM.	QTY.	DESCRIPTION
43	F700542		1	HOSE, COOLANT RESERVE
44	F700034		1	TANK, COOLANT RESERVE
NS	F700012		1	PILOT, RAW WATER PUMP
	GG.2246		3	SCREW, CRANK PULLEY & WATER PUMP
	F8130		3	WASHER, CRANK PULLEY & WATER PUMP

PARTS INDEX

Part Number	Description	Pg.	Ref. No.	Part Number	Description	Pg.	Ref. No.
160330030	GEAR, HURTH - HSW630A (2.5:1)	37	7	F1901	WASHER, LOCK, - STRAP SCREW	31	9
F1236	SCREW, SOLENOID	29	6	F1901	WASHER, RELAY TERMINAL - 5/16	33	NS
F1247	SCREW, STRAP	31	8	F1901	WASHER, SOLENOID TERMINAL - 5/16	29	10
F1247	SCREW, THERM. HSG. - 5/16 - 18 X 1-3/4	41	6	F1902	SCREW, 5/16 - 18 X 3/4	45	34
F1303	SCREW, CIRCUIT BREAKER	29	8	F1902	SCREW, BRACE TO PUMP .	43	13
F1347	NUT, PIVOT SCREW	31	15	F1902	SCREW, BRACKET MOUNTING	29	19
F1347	NUT, STARTER MOUNT SCREW	33	NS	F1975	WASHER, CLAMP SCREW .	29	16
F1347	NUT, STARTER SCREW ...	35	NS	F1975	WASHER, COIL TERMINAL .	29	NS
F1491	SCREW, F/W HOUSING - LOWER 5/16 - 18 X 3-1/4 .	35	-	F1975	WASHER, LOCK - COIL TERMINAL	27	NS
F1513	NUT, CLAMP SCREW	29	17	F1975	WASHER, RELAY TERMINAL - #10	33	NS
F1513	NUT, COIL TERMINAL	29	NS	F1975	WASHER, SOLENOID TERMINAL - #10	29	12
F1513	NUT, COIL TERMINAL - #10 - 32	27	NS	F2065	NUT, GEAR MOUNT STUD .	37	10
F1513	NUT, RELAY TERMINAL - #10 - 32	33	NS	F2147	SCREW, F/W HOUSING - 7/16 - 14 X 1-1/2	35	4
F1513	NUT, SOLENOID TERMINAL - #10 - 32	29	11	F2168	SCREW, MOUNT TO BLOCK	39	4
F1515	NUT	45	19	F2170	PLUG	41	21
F1515	NUT, HOUSING SCREW LOWER - 5/16 - 18	35	NS	F2179	SCREW, BRACKET	31	11
F1515	NUT, RELAY TERMINAL - 5/16 - 18	33	NS	F2180	SCREW, THERM. HSG. LWR. - 5/16 - 18 X 5	41	10
F1515	NUT, SOLENOID TERMINAL - 5/16 - 18	29	9	F2182	SCREW, THERM. HSG. - 5/16 - 18 X 1-1/4	41	7
F154317	CLAMP, CABLE MOUNTING	29	15	F2203	BOLT, DAMPER PLATE	35	8
F1703	WASHER, LOCK	23	17	F2217	SCREW, COVER PLATE - STARTER	35	7
F1703	WASHER, LOCK - STARTER SCREW	35	NS	F2217	SCREW, TIMING WINDOW COVER	35	NS
F1703	WASHER, PIVOT SCREW ..	31	14	F2247	SCREW, INDICATOR TUBE .	15	NS
F1778	WASHER, STARTER MOUNT SCREW	33	NS	F2257	SCREW, EXHAUST MANIFOLD	25	5
F1778	WASHER, STARTER SCREW	35	NS	F2264	SCREW, SET - MOUNT TO BLOCK	39	2
F1823	SCREW, ADJUST - 5/16 - 18 X 1	31	5	F2265	SCREW, CLAMP - CABLE MOUNTING	29	14
F1827	SCREW	45	15	F2266	SCREW, F/W HOUSING - 7/16 - 14 X 3-1/2	35	-
F1827	SCREW, THERM. HSG. LWR. - 5/16 - 18 X 2-3/4	41	11	F2266	SCREW, GEAR MOUNT	37	3
F1867	SCREW, LIFT BRACKET ...	23	18	F2267	SCREW, ALTERNATOR PIVOT	31	13
F1893	SCREW, THERM. HSG. - 5/16 - 18 X 1-1/2	41	8	F2267	SCREW, STARTER MOUNT	33	NS
F1901	WASHER, BRACKET SCREW	29	21	F2267	SCREW, STARTER MOUNTING	35	NS
F1901	WASHER, LOCK	45	16	F2285	SCREW, GEAR MOUNT	37	13
F1901	WASHER, LOCK	45	33	F2285	SCREW, MOUNT - W/WARNER GEAR	39	8
F1901	WASHER, LOCK - 5/16	41	9	F2296	SCREW, BRACKET MOUNTING	29	20
F1901	WASHER, LOCK - ADJUST SCREW	31	6	F2302	SCREW, 7/16 - 14 X 1	45	29
F1901	WASHER, LOCK - BRACKET SCREW	31	12	F2302	SCREW, BRACE TO BLOCK	43	14
F1901	WASHER, LOCK - DAMPER PLATE SCREW	35	NS	F2415	SCREW, MOUNT TO GEAR - W/HURTH GEAR	39	-
F1901	WASHER, LOCK - HOUSING SCREW 5/16	35	-	F2A700068	THERMOSTAT 140	41	2
F1901	WASHER, LOCK - PUMP SCREW	43	12	F58685-2	ROD END	23	12
F1901	WASHER, LOCK - THERM. HSG. SCREW	41	12	F639460	CIRCUIT BREAKER	29	2

PARTS INDEX

Part Number	Description	Pg.	Ref. No.	Part Number	Description	Pg.	Ref. No.
F639475	COIL ASSY., ELECTRONIC - EXTERNAL RESISTOR ..	27	NS	F700211	SCREW, WATER PUMP PULLEY	17	NS
F640240	PULLEY, ALTERNATOR	31	2	F700234	HEAT EXCHANGER	45	1
F640273-1	STUD, ROD END CONNECTOR	23	11	F700240	PULLEY, CRANKSHAFT ...	11	4
F641024	PLATE, DAMPER	35	2	F700243	HOSE - MUST CUT TO FIT .	45	38
F641308	ALTERNATOR	31	1	F700243	HOSE - MUST CUT TO FIT .	45	39
F642066	HOUSING, THERMOSTAT - UPPER	41	1	F700253	HOSE, RAW WATER	45	13
F642067	GASKET, THERMOSTAT ...	41	3	F700290	SPRING, THROTTLE RETURN (SKI ENGINE ONLY)	23	13
F642088	HOSE	41	20	F700371	BRACE, RAW WATER PUMP	45	30
F642088	HOSE, THERM. HSG. TO GEAR COOLER	41	16	F700371	BRACE, WATER PUMP	43	9
F642159	GASKET, EXHAUST MANIFOLD	25	3	F700402	WASHER, ROD END STUD .	23	10
F642168	GASKET, FLAME ARRESTOR	23	2	F700418	TEE, WATER	45	7
F642236	STUD, FLAME ARRESTOR .	23	3	F700419	STRAP, ADJUST - ALTERNATOR	31	4
F642239	PULLEY, WATER PUMP ...	17	3	F700423	PLATE, COVER - STARTER HOLE	35	3
F642249	BELT, ALTERNATOR & WATER PUMP	31	3	F700440	STUD, GEAR MOUNT	37	9
F642249	BELT, WATER PUMP & ALT.	17	6	F700441	STUD, GEAR MOUNT	37	2
F642253-1	HOSE, WATER - HSG. TO EXH. MAN.	41	14	F700454	CLAMP, HEAT EXCHANGER	45	14
F642254-1	HOSE, WATER - HSG. TO EXH. MAN.	41	13	F700482	HOUSING, FLYWHEEL	35	1
F642261	ELBOW, COOLING LINE ...	41	18	F700500	GASKET, FUEL PUMP	19	3
F642289	INDICATOR, OIL LEVEL	15	15	F700542	HOSE, COOLANT RESERVE	45	43
F642309	DISTRIBUTOR ASSY., ELECTRONIC TYPE	27	NS	F700543	VENT HOSE, FUEL PUMP ..	23	8
F642314	ELBOW, FUEL PUMP	23	5	F700547	BUSHING, BRACE	43	10
F642354-1	MOUNT, ENGINE - FRONT .	39	1	F700547	BUSHING, BRACE	45	31
F642374	DECAL, STARTER	33	NS	F700547	SPACER	45	18
F642431	PUMP ASSY., FUEL - W/BOLTS & GASKET	19	1	F700550	CLAMP, VENT HOSE	23	7
F642439	BRACKET, ENGINE LIFT ...	23	16	F700552	CLAMP	45	6
F642493	HOUSING, THERMOSTAT - LOWER	41	4	F700552	CLAMP	45	8
F642539	GASKET, HOUSING - LOWER	41	5	F700553	CLAMP	45	12
F642872-2	BRACKET	23	9	F700553	CLAMP	45	36
F642872-2	BRACKET	29	18	F700553	CLAMP, HOSE	41	17
F642917	RELAY - STARTER	33	13	F700553	CLAMP, WATER HOSE	41	15
F642917	RELAY, STARTER	29	3	F700554	CLAMP	45	37
F642962	MOUNT, ISOLATOR	39	6	F700555	CLAMP	45	10
F642964-1	BRACKET, ALTERNATOR MOUNT	31	10	F700555	CLAMP, HOSE	41	19
F697414	HOSE, CRANKCASE VENT .	23	15	F700557	CLAMP, HOSE	41	19
F697501	CLAMP, PCV HOSE AT CARB.	13	NS	F700557	CLAMP, COOLANT RESERVE TUBE	45	42
F700012	PILOT, RAW WATER PUMP	43	NS	F700580	ELBOW	45	4
F700012	PILOT, RAW WATER PUMP	47	NS	F700580	ELBOW, COOLER HOSE ...	43	17
F700034	TANK, COOLANT RESERVE	47	44	F700585	ADAPTER, OIL COOLER HOSE	43	20
F700069-1	BOLT, BANJO FITTING	15	NS	F700586	NIPPLE, FUEL INLET	19	NS
F700100	GEAR, WARNER-10-17-000- 004 (1:1)	37	1	F700590	PLUG, DRAIN	25	7
F700125	TEE, COOLANT FILL	45	40	F700602	SWITCH, OIL PRESSURE ALARM	29	22
F700149	COVER, TIMING WINDOW .	35	6	F700612	MOUNT, GEARBOX - W/WARNER GEAR	39	7
F700176	FLAME ARRESTOR	23	1	F700631	CABLE, STARTER	33	NS
F700177	ADAPTER, OIL SENDER/SWITCH	29	NS	F700631	WIRE, STARTER	29	4
				F700661	STARTER ASSEMBLY	33	1
				F700662	ELBOW, OIL COOLER HOSE	43	21
				F700679	CAP, PRESSURE	45	41
				F700690	SENDER, WATER TEMP - DUAL STATION	29	NS
				F700691	SWITCH, WATER TEMP. ALARM (SKI BOAT)	29	24

PARTS INDEX

Part Number	Description	Pg.	Ref. No.	Part Number	Description	Pg.	Ref. No.
F700704	BRACKET, GEAR COOLER .	43	22	F724016	PLUG, OIL LEVEL		
F700752	HOSE	45	35		INDICATOR HOLE	3	12
F700753	HOSE	45	5	F724017	BOLT, TIMING COVER 5/16 -		
F700766-1	PUMP, RAW WATER	43	1		18 X 1-3/4	3	13
F700766-1	PUMP, RAW WATER	45	20	F724018	BOLT, TIMING COVER 5/16 -		
F700770	HOSE, COOLER TO GEAR .	43	18		18 X 2	3	-
F700771	HOSE, COOLER TO GEAR .	43	19	F724019	BOLT, TIMING COVER 5/16 -		
F700772	HOSE, GEAR OIL	45	3		18 X 2-1/2	3	-
F700773	HOSE, GEAR OIL	45	2	F724020	GASKET, TIMING CHAIN		
F700791	SENDER, WATER TEMP.				COVER	3	14
	SINGLE STATION	29	23	F724021	POINTER, ENGINE TIMING .	3	15
F700796	LINE, FUEL	23	6	F724022	CYLINDER HEAD, BARE . . .	5	1
F700798	PLUG, CUP 1" BRASS	25	4	F724023	PLUG, CUP 1-1/2" BRASS . .	3	4
F700801	FITTING, BANJO - OIL TUBE	15	NS	F724023	PLUG, CUP 1-1/2" BRASS . .	5	2
F700803-1	GASKET, BANJO FITTING -			F724024	PLUG, PIPE 3/4"	5	3
	INNER	15	NS	F724025	PLUG	5	4
F700805	1	15	NS	F724026	GASKET, CYLINDER HEAD .	5	5
F700841	WIRE SET, IGNITION	27	NS	F724027	BOLT, CYLINDER HEAD 1/2 -		
F700844	WIRING HARNESS	29	1		13 X 2-1/2	5	6
F700918	SENDER, OIL PRESSURE -			F724028	BOLT, CYLINDER HEAD 1/2 -		
	SINGLE STATION	29	5		13 X 4	5	-
F700935	SWITCH, WATER TEMP.			F724029	BUSHING, VALVE GUIDE		
	ALARM (CRUISER)	29	NS		REPAIR	5	7
F700937	THERMOSTAT 160--			F724030	PISTON & PIN ASSEMBLY,		
	W/HEATER	41	-		STD. RED	7	1
F700995	COOLER, GEAR - SKI			F724031	PISTON & PIN ASSEMBLY,		
	ENGINE	43	16		STD. BLUE	7	-
F7011	NUT, TERMINAL - FIELD #10			F724032	PISTON & PIN ASSEMBLY,		
	- 24	31	17		.003 O/S	7	-
F7046	NUT, FLAME ARRESTOR . .	23	4	F724033	PISTON & PIN ASSEMBLY,		
F7063	NUT, SOLENOID SCREW . .	29	7		.020 O/S	7	-
F7063	NUT/WASHER, ROD END			F724034	PISTON & PIN ASSEMBLY,		
	STUD	23	14		.030 O/S	7	-
F7063	NUT/WASHER, TERMINAL -			F724035	PISTON & PIN ASSEMBLY,		
	BATT. 1/4 - 20	31	16		.040 O/S	7	-
F7071	NUT, GEAR MOUNT STUD .	37	4	F724036	PIN, PISTON - STD.	7	2
F7072	NUT, LOCK - MOUNT			F724037	PIN, PISTON .001 O/S	7	-
	SCREW	39	3	F724038	PIN, PISTON .002 O/S	7	-
F708432	SENDER, OIL PRESSURE -			F724039	RING SET, PISTON - STD.		
	DUAL STATION	29	NS		(FOR 2 PISTONS)	7	3
F724001	SPARK PLUG	27	10	F724040	RING SET, PISTON - .020		
F724002	FILTER, OIL	15	17		O/S (FOR 2 PISTONS)	7	-
F724003-1	FILTER, FUEL	19	2	F724041	RING SET, PISTON - .030		
F724004	DOWEL, CYL. HEAD TO				O/S (FOR 2 PISTONS)	7	-
	BLOCK	3	1	F724042	RING SET, PISTON - .040		
F724005	SHORT BLOCK ASSY., STD.				O/S (FOR 2 PISTONS)	7	-
	ROT.	3	2	F724043	ROD ASSEMBLY,		
F724006	BLOCK ASSY. CYLINDER				CONNECTING	7	4
	BARE	3	3	F724044	BEARING, CONNECTING		
F724008	PLUG, CUP 1/2" OIL HOLE .	3	5		ROD - STD.	7	5
F724009	PLUG, CUP 3/4" REAR			F724045	BEARING, CONNECTING		
	BLOCK HOLE	3	6		ROD - .001 U/S	7	-
F724010	PLUG, 1/4" NPT, BRASS			F724046	BEARING, CONNECTING		
	WATER DRAIN	3	7		ROD - .002 U/S	7	-
F724011	PLUG, 1/4" PIPE, OIL			F724047	BEARING, CONNECTING		
	PASSAGE	3	8		ROD - .010 U/S	7	-
F724014	DOWEL, FLYWHEEL			F724048	BEARING, CONNECTING		
	HOUSING TO BLOCK	3	10		ROD - .020 U/S	7	-
F724015	COVER ASSY., TIMING			F724049	BEARING, CONNECTING		
	CHAIN	3	11		ROD - .030 U/S	7	-

PARTS INDEX

Part Number	Description	Pg.	Ref. No.	Part Number	Description	Pg.	Ref. No.
F724050	NUT, CONNECTING ROD ..	7	6	F724087	MAIN BEARING, CENTER -		
F724051	BOLT, CONNECTING ROD .	7	7		.002 U/S	11	-
F724052	CAMSHAFT	9	1	F724088	MAIN BEARING, CENTER -		
F724053	BEARING KIT, CAMSHAFT .	9	2		.010 U/S	11	-
F724054	SPROCKET, CAMSHAFT ...	9	3	F724089	MAIN BEARING, CENTER -		
F724055	DOWEL, CAM SPROCKET ..	9	4		.020 U/S	11	-
F724056	PLUG, CAM BEARING -			F724090	MAIN BEARING, CENTER -		
	REAR	9	5		.030 U/S	11	-
F724056	PLUG, CAM BEARING, REAR	3	9	F724091	BOLT, MAIN BEARING CAP .	11	10
F724057	PLUG, CAM BEARING - .060			F724092	STUD, MAIN BEARING CAP	11	-
	O/S	9	-	F724093	NUT/WASHER, #3 CAP	11	11
F724057	PLUG, CAM BEARING, REAR			F724094	PLATE, REAR ENGINE		
	.060 O/S	3	-		(LESS SEAL)	11	12
F724058	CHAIN, TIMING	9	6	F724095	PLATE, REAR ENGINE		
F724059	PLATE, CAM THRUST - STD.	9	7		(W/SEAL)	11	-
F724060	PLATE, CAM THRUST - .002			F724096	SEAL, PLATE	11	13
	O/S	9	-	F724097	FLYWHEEL & GEAR		
F724061	PLATE, CAM THRUST - .004				ASSEMBLY	11	14
	O/S	9	-	F724098	BOLT, FLYWHEEL	11	15
F724063	ECCENTRIC, FUEL PUMP -			F724099	RING GEAR, FLYWHEEL ...	11	16
	INNER	9	9	F724100	SEAL, OIL - TIMING CHAIN		
F724064	ECCENTRIC, FUEL PUMP -				COVER	11	17
	OUTER	9	-	F724101	SEAL, OIL - REAR MAIN		
F724065	WASHER, CAM SPROCKET	9	10		BEARING	11	18
F724066	BOLT, CAM SPROCKET ...	9	11	F724102	TAPPET, VALVE	13	1
F724067	CRANKSHAFT, STD.	11	1	F724103	VALVE, EXHAUST - STD. ..	13	2
F724068	SPROCKET, CRANKSHAFT .	11	2	F724104	VALVE, EXHAUST - .015 O/S	13	-
F724069	KEY, CRANKSHAFT			F724105	VALVE, EXHAUST - .030 O/S	13	-
	SPROCKET	11	3	F724106	VALVE, INTAKE - STD.	13	-
F724070	DAMPER, VIBRATION	11	5	F724107	VALVE, INTAKE - .030 O/S .	13	-
F724071	WASHER, CRANKSHAFT ..	11	6	F724108	VALVE, INTAKE - .015 O/S .	13	-
F724072	BOLT, CRANKSHAFT	11	7	F724109	SPRING, VALVE - EXHAUST	13	3
F724073	MAIN BEARING, UPPER -			F724110	SPRING, VALVE - INTAKE ..	13	-
	STD.	11	8	F724111	RETAINER/ROTATOR, EXH.		
F724074	MAIN BEARING, UPPER -				VALVE SPRING	13	4
	.001 U/S	11	-	F724112	RETAINER, INTAKE VALVE		
F724075	MAIN BEARING, UPPER -				SPRING	13	-
	.002 U/S	11	-	F724113	SLEEVE, INTAKE VALVE		
F724076	MAIN BEARING, UPPER -				SPRING RETAINER	13	5
	.010 U/S	11	-	F724114	LOCK, RETAINER, VALVE		
F724077	MAIN BEARING, UPPER -				SPRING	13	6
	.020 U/S	11	-	F724115	BOLT/WASHER, ROCKER		
F724078	MAIN BEARING, UPPER -				ARM SUPPORT	13	7
	.030 U/S	11	-	F724116	SEAT, ROCKER ARM PIVOT	13	8
F724079	MAIN BEARING, LOWER -			F724117	CAP, EXHAUST VALVE		
	STD.	11	-		STEM	13	9
F724080	MAIN BEARING, LOWER -			F724118	ARM, ROCKER	13	10
	.001 U/S	11	-	F724119	ROD, PUSH	13	11
F724081	MAIN BEARING, LOWER -			F724120	SEAL, VALVE STEM -		
	.002 U/S	11	-		INTAKE STD.	13	12
F724082	MAIN BEARING, LOWER -			F724121	SEAL, VALVE STEM -		
	.010 U/S	11	-		INTAKE .015 O/S	13	-
F724083	MAIN BEARING, LOWER -			F724122	SEAL, VALVE STEM -		
	.020 U/S	11	-		INTAKE .030 O/S	13	-
F724084	MAIN BEARING, LOWER -			F724123	SEAL, VALVE STEM -		
	.030 U/S	11	-		EXHAUST STD.	13	-
F724085	MAIN BEARING, CENTER -			F724124	SEAL, VALVE STEM -		
	STD.	11	9		EXHAUST .015 O/S	13	-
F724086	MAIN BEARING, CENTER -			F724125	SEAL, VALVE STEM -		
	.001 U/S	11	-		EXHAUST .030 O/S	13	-

PARTS INDEX

Part Number	Description	Pg.	Ref. No.	Part Number	Description	Pg.	Ref. No.
F724126	COVER, VALVE - LEFT	13	-	F724171	GASKET SET, INTAKE		
F724127	COVER, VALVE - RIGHT . . .	13	13		MANIFOLD (FOR MODEL		
F724128	GASKET - VALVE COVER . .	13	14		35.1L01A)	19	7
F724130	GUIDE, ROCKER ARM			F724172	GASKET SET, INTAKE		
	PIVOT	13	16		MANIFOLD (FOR ALL		
F724131	HOSE, PCV VALVE TO				LATE MODEL ENGINES) .	19	-
	CARB. SPACER	13	17	F724173	GASKET, CARBURETOR . . .	19	8
F724132	VALVE, PCV	13	18	F724174	SPACER PLATE,		
F724133	GROMMET, PCV VALVE . . .	13	19		CARBURETOR	19	9
F724134	CAP, OIL FILLER	13	20	F724175	STUD, CARBURETOR	19	10
F724135	GROMMET, FILLER CAP . . .	13	21	F724176	NUT, CARBURETOR STUD .	19	11
F724136	ELBOW, FILLER CAP	13	22	F724177	CARBURETOR ASSEMBLY		
F724137	PUMP ASSEMBLY, OIL	15	1		4V	21	1
F724138	PLUG, OIL PUMP RELIEF			F724178	KIT, REPAIR - CARBURETOR	21	2
	VALVE	15	2	F724179	WASHER, ARMATURE		
F724139	BOLT, CAM THRUST PLATE	9	8		THRUST - STEEL	33	2
F724139	BOLT, OIL PUMP COVER . .	15	3	F724180	PLATE & BUSHING, BRUSH		
F724140	SHAFT, OIL PUMP	15	4		END	33	3
F724141	PICK-UP ASSEMBLY, OIL			F724181	BUSHING, BRUSH END		
	PUMP	15	5		PLATE	33	4
F724142	GASKET, PICK-UP TO PUMP	15	6	F724182	BRUSH SET, STARTER	33	5
F724143	RING, PUMP SHAFT			F724183	SPRING, BRUSH	33	6
	RETAINER	15	7	F724184	HOLDER, BRUSH	33	7
F724145	BOLT, OIL PICK-UP TO			F724185	INSULATOR, BRUSH		
	PUMP	15	8		HOLDER	33	8
F724146	PAN ASSEMBLY, OIL	15	9	F724186	BOLT, THROUGH	33	9
F724147	SCREW, PAN TO FRONT			F724187	GROMMET	33	10
	COVER	15	10	F724188	HOUSING ASSEMBLY,		
F724148	SCREW, OIL PAN	15	11		DRIVE END	33	11
F724148	SCREW/WASHER, VALVE			F724189	POINT KIT, CONTACT	33	12
	COVER	13	15	F724190	KIT, REPAIR (POINTS,		
F724149	PLUG W/GASKET, OIL				COND., ROTOR)	27	1
	DRAIN	15	12	F724191	CAP, DISTRIBUTOR	27	2
F724150	GASKET, DRAIN PLUG	15	13	F724192	COIL ASSEMBLY	29	13
F724151	PLUG, INDICATOR HOLE . .	15	14	F724192	COIL ASSY., POINTS TYPE -		
F724152	INSERT, OIL FILTER				EXTERNAL RESISTOR . .	27	3
	ADAPTER	15	18	F724193	STRAP, COIL	27	4
F724153	GASKET SET, OIL PAN			F724194	NUT, STRAP BOLT	27	5
	(REMOVE TABS AS			F724195	BOLT, COIL STRAP	27	6
	SHOWN)	15	19	F724196	DISTRIBUTOR ASSY.,		
F724159	PUMP ASSEMBLY, WATER .	17	1		POINTS TYPE	27	7
F724160	GASKET, WATER PUMP TO			F724198	WIRE, COIL	27	11
	FT. COVER	17	2	F724199	KIT, TUNE-UP	27	12
F724161	BOLT, WATER PUMP - 5/16 -			F724200	CLAMP, DISTRIBUTOR	27	8
	18 X 5	17	4	F724201	SCREW ASSEMBLY, CLAMP	27	9
F724162	BOLT, WATER PUMP - 5/16 -			F724202	SCREW, CAM	43	2
	18 X 7/8	17	-	F724202	SCREW, CAM	45	21
F724163	BOLT, WATER PUMP - 5/16 -			F724204	SCREW, COVER	43	8
	18 X 3-5/8	17	-	F724204	SCREW, COVER	45	27
F724164	BOLT, WATER PUMP - 5/16 -			F724205	COVER	43	7
	18 X 4	17	-	F724205	COVER	45	26
F724165	BOLT, WATER PUMP - 5/16 -			F724206	KEY, WOODRUFF	43	1
	18 X 1-1/2	17	-	F724206	KEY, WOODRUFF	45	22
F724166	BOLT, FT. COVER TO BLK. -			F724207	O-RING	45	23
	5/16 - 18 X 2-1/2	17	-	F724207	O-RING, COVER	43	4
F724167	WASHER, WATER PUMP			F724208	IMPELLER	43	6
	BOLT	17	5	F724208	IMPELLER	45	25
F724168	MANIFOLD, INTAKE	19	4	F724216	CAM	43	5
F724169	BOLT, INTAKE MANIFOLD . .	19	5	F724216	CAM	45	24
F724170	BAFFLE, PUSH ROD VALLEY	19	6				

PARTS INDEX

Part Number	Description	Pg.	Ref. No.	Part Number	Description	Pg.	Ref. No.
F8096	WASHER, PICK-UP TO PUMP	15	NS				
F8130	WASHER, CRANK PULLEY & WATER PUMP	47	NS				
F8130	WASHER, EXHAUST MANIFOLD SCREW	25	6				
F8130	WASHER, WATER PUMP SCREW	43	NS				
F8153	WASHER LOCK	37	12				
F8153	WASHER, INDICATOR TUBE SCREW	15	NS				
F8153	WASHER, LOCK	37	5				
F8153	WASHER, LOCK	45	28				
F8153	WASHER, LOCK - BRACE SCREW	43	15				
F8153	WASHER, LOCK - HOUSING SCREW 7/16	35	5				
F8153	WASHER, LOCK - MOUNT SCREW	39	5				
F8153	WASHER, MOUNT SCREW - W/WARNER GEAR	39	9				
F8165	WASHER, FLAT	37	11				
F8165	WASHER, FLAT - HOUSING SCREW 7/16	35	-				
F8171	WASHER, FLAT	37	6				
F8172	WASHER, BRACE TO PUMP SCREW	43	11				
F8172	WASHER, FLAT	45	32				
F8174	WASHER, FLAT - ADJUST SCREW	31	7				
F8175	WASHER, LOCK - MOUNT SCREW W/HURTH GEAR	39	-				
FA697167	MANIFOLD, EXHAUST - PORT	25	1				
FA697168	MANIFOLD, EXHAUST - STARBOARD	25	2				
FA700127	TUBE, INDICATOR - CRUISER MODELS	15	16				
FA700243	HOSE, FRESH WATER	45	11				
FA700254	HOSE, RAW WATER	45	9				
FA700330	TUBE, INDICATOR - SKI MODELS	15	-				
FA700660	TUBE ASSEMBLY, OIL REMOVAL	15	NS				
FI4100005	WASHER, FLAT	45	17				
FI6900192	INTERRUPTER, CIRCUIT	29	NS				
FI9608751	FILTER KIT, HURTH GEAR	37	8				
GG.2246	SCREW, CRANK PULLEY & WATER PUMP	47	NS				
GG.2246	SCREW, WATER PUMP TO PILOT	43	NS				