



PARTS CATALOG

FORCE 1986 4 H.P. & 5.0. C.I. SAILOR

SERIAL NUMBER

4 H.P. (1985)43F5A
4 H.P. (1985)	43FC5A
4 H.P. (1986)42F6A
4 H.P. (1986)	42FC6A
4 H.P. (1986)43F6A
4 H.P. (1986)	43FC6A

TABLE OF CONTENTS:

ACCESSORIES	31
CARBURETOR & REED PLATE	10
ENGINE COVER AND FUEL TANK	2
GEAR HOUSING	22
MAGNETO	8
MOTOR LEG	18
PARTS INDEX	32
POWER HEAD & SUPPORT PLATE	14
SPECIAL TOOLS - LOWER UNIT	28
SPECIAL TOOLS - LUBRICANTS AND SEALANTS	30
SPECIAL TOOLS - POWER HEAD	27
SPECIAL TOOLS - TEST EQUIPMENT	29
SPECIAL TOOLS - TUNE-UP	26
STARTER	6

NOTE: *Indented description indicate that these parts are included in preceeding assembly.*

AR = As Required

NSS = Not Sold Separate

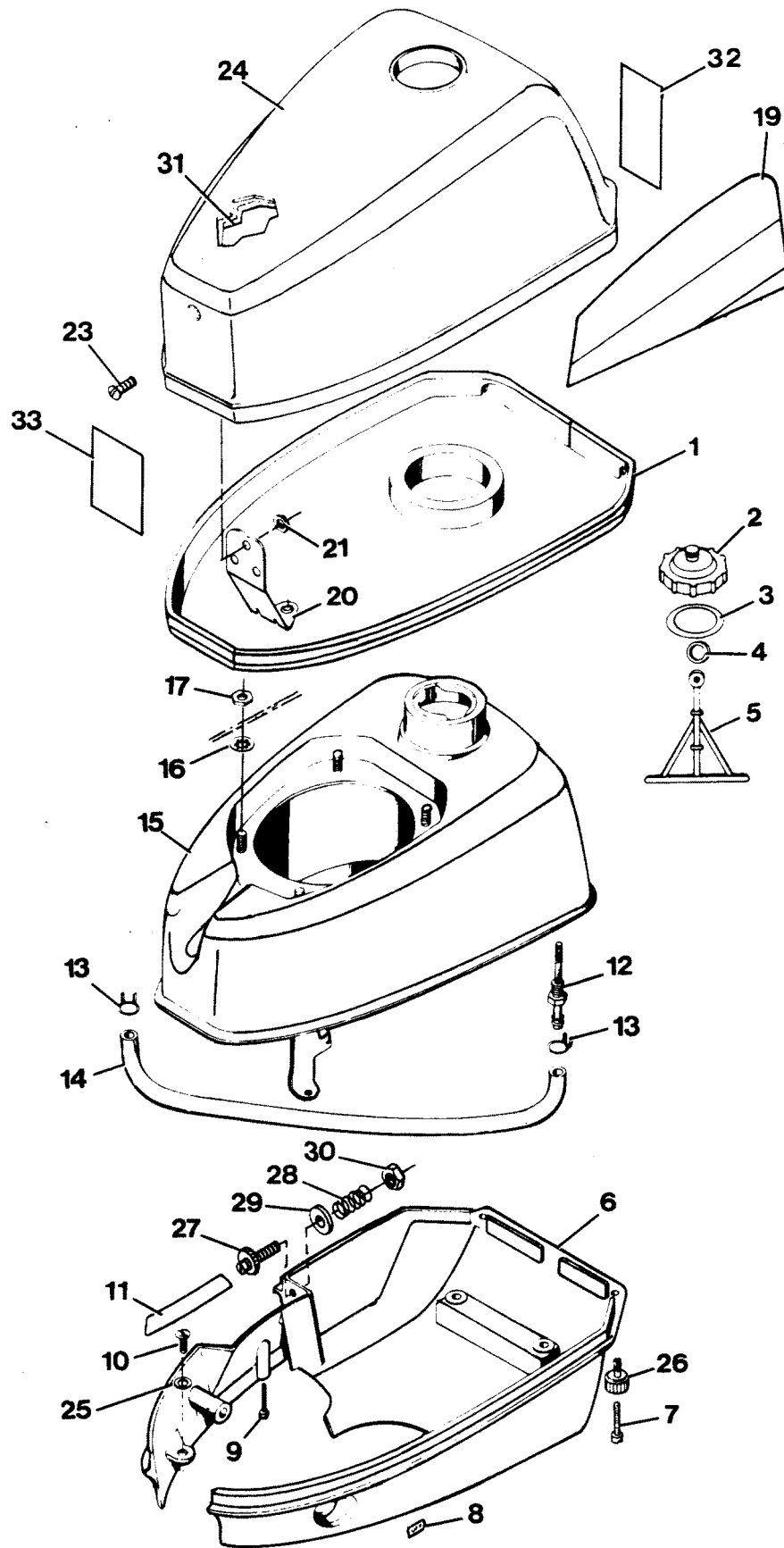
OPT = Optional

NS = Not Shown

THESE PARTS BOOKS/FICHE CARD ARE COPYRIGHTED AND MAY NOT BE DISTRIBUTED OR REPRODUCED IN ANY OTHER FORMAT BY ANYONE OTHER THAN MERCURY MARINE WITHOUT THE PRIOR WRITTEN CONSENT OF MERCURY MARINE.

THIS PAGE INTENTIONALLY LEFT BLANK

ENGINE COVER AND FUEL TANK

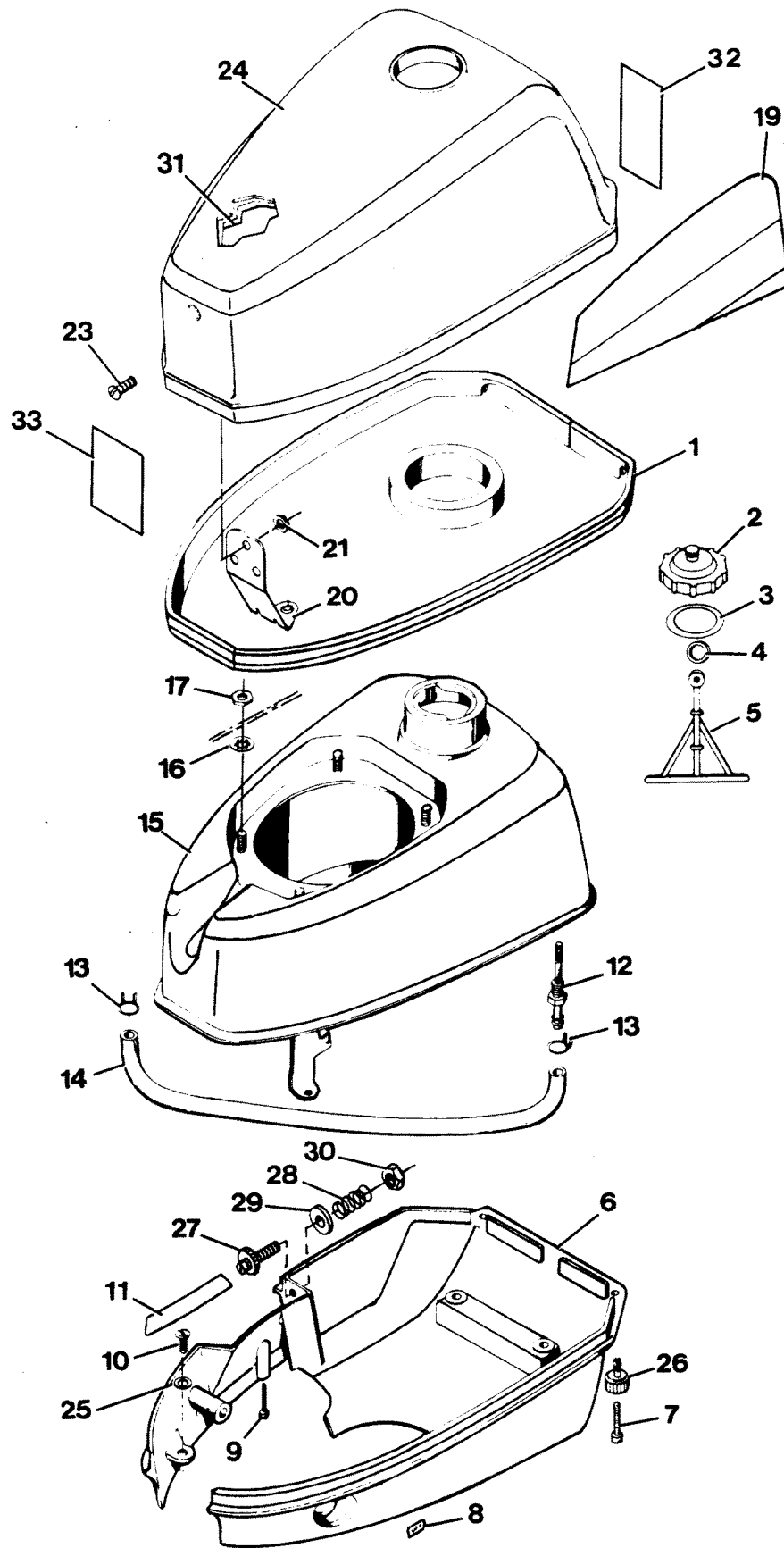


ENGINE COVER AND FUEL TANK

REF. NO.	PART NO.	SYM.	QTY.	DESCRIPTION
1	F459186		1	COLLAR, FUEL TANK
2	F521251-3		1	GAS CAP COMPLETE. INCLUDES ILLUS. 3, 4, AND 5
3	F17980		1	FUEL CAP GASKET
4	F427249		1	RETAINING RING
5	F17938		1	ANCHOR
6	F535944		1	ENGINE COVER, BOTTOM
7	F1995		2	SLOTTED FILL HD SCREW, 10 - 24 X 1
8	F521894		1	DECAL, "OFF" (USA)
-	FC521894		1	DECAL, "OFF" (CANADA)
9	F1829		1	FILL HD M. SCREW, 10 - 24 X 7/8
10	F1035		3	SLOTTED FILL HD SCREW, 1/4 - 20 X 5/8
11	37-817908--3		1	DECAL, SPEED RANGE
12	F521811		1	FITTING, GAS TANK
13	F2706772		2	HOSE CLAMP
14	FA901754		1	HOSE WILLUS. 13
15	F521034-1		1	FUEL TANK
16	F8061		4	INTERNAL TOOTH LOCKWASHER (SEE PAGE 4, ILLUS. 13 - STARTER)
17	F1341		4	HEX NUT (SEE PAGE 4, ILLUS. 1 - STARTER)
18	FK525713		1	PACKING, TOP COVER TRIM W/LITERATURE
19	F655397		1	DECAL, ENGINE COVER - PORT (MOD 42 F6A, 42 FC6A)
-	F652397		1	DECAL, ENGINE COVER - PORT (MOD 43 F6A, 43 FC6A, 43 F5A, 43 FC5A)
-	F655396		1	DECAL, ENGINE COVER - STARBOARD (MOD 42 F6A, 42 FC6A)
-	F652396		1	DECAL, ENGINE COVER - STARBOARD (MOD 43 F6A, 43 FC6A, 43 F5A, 43 FC5A)
20	FA521778		1	RETAINER, ENGINE COVER FRONT WILLUS. 21 & 23
21	F7011		3	HEX NUT
23	F1979		3	PAN HD SCREW, 10 - 24 X 1/2
24	FS535712		1	ENGINE COVER TOP W/RETAINER & PACKING
-	F2C655712		1	ENGINE COVER COMPLETE. INCLUDES ALL ITEMS MARKED WITH AN ASTERISK (*) - MOD 42 F6A, 42 FC6A.
-	F2C652712		1	ENGINE COVER COMPLETE. INCLUDES ALL ITEMS MARKED WITH A DOUBLE ASTERISK (**) - MOD 43 F6A, 43 FC6A, 43 F5A, 43 FC5A.
25	F8008		3	PLAIN WASHER
26	F521284-1		2	KNOB, ENGINE COVER RETAINER
27	F521690-1		1	SCREW, THROTTLE LEVER ADJUSTMENT
28	F521199		1	SPRING, THROTTLE LEVER ADJUSTMENT
29	F2042		1	PLAIN WASHER, #10 NARROW

CONTINUED ON NEXT PAGE ➡

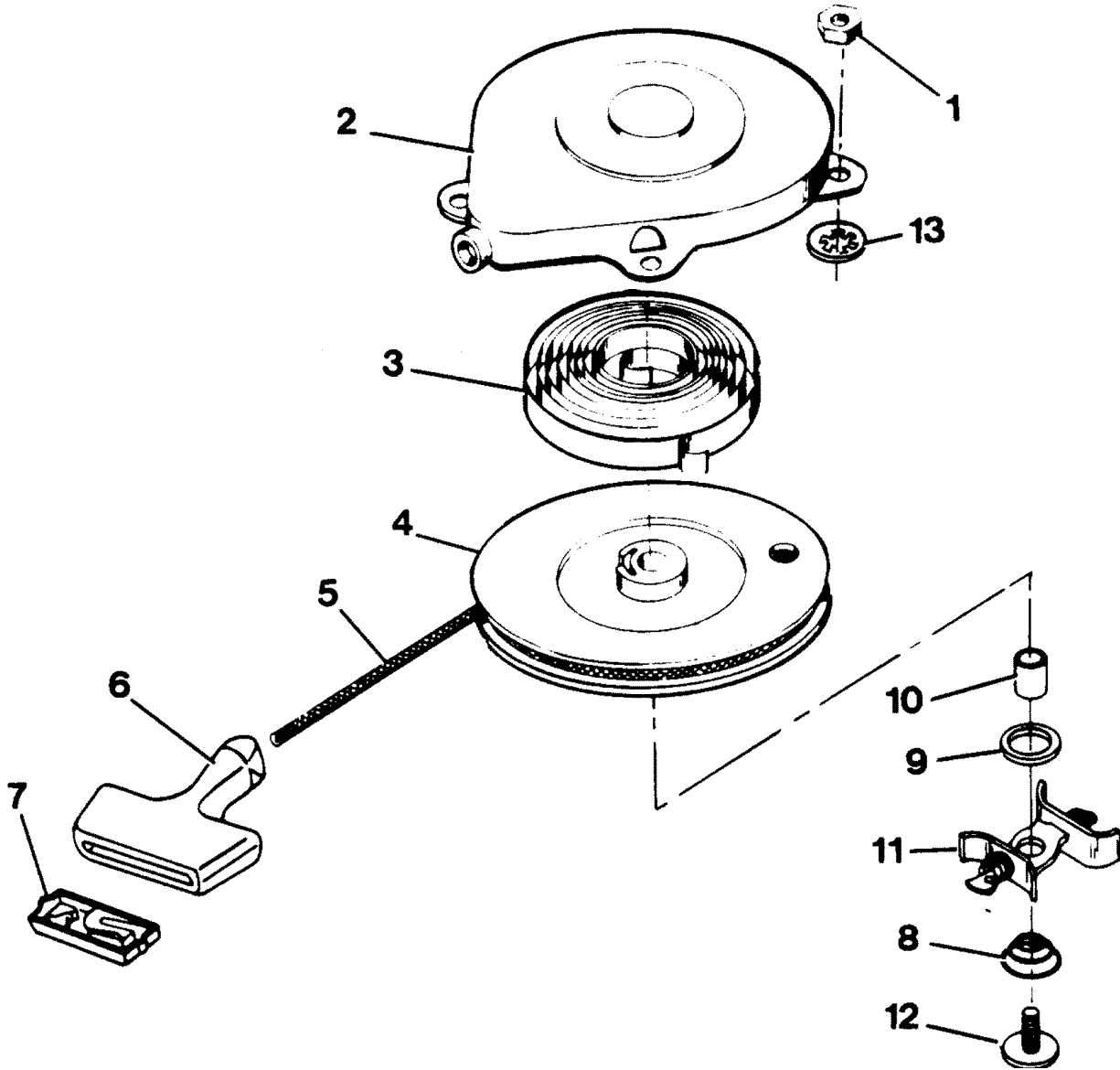
ENGINE COVER AND FUEL TANK



ENGINE COVER AND FUEL TANK

REF. NO.	PART NO.	SYM.	QTY.	DESCRIPTION
30	F1473		1	HEX NUT
31	F521984		1	BLANKET, SILENCER TOP
32	F655528		1	DECAL, COVER - REAR (MOD 42 F6A, 42 FC6A)
-	37-F685387-2		1	MEDALLION W/PAD (MOD 43 F6A, 43 FC6A, 43 F5A, 43 FC5A)
33	F655892		1	DECAL, ENGINE COVER - FRONT (MOD 42 F6A, 42 FC6A)

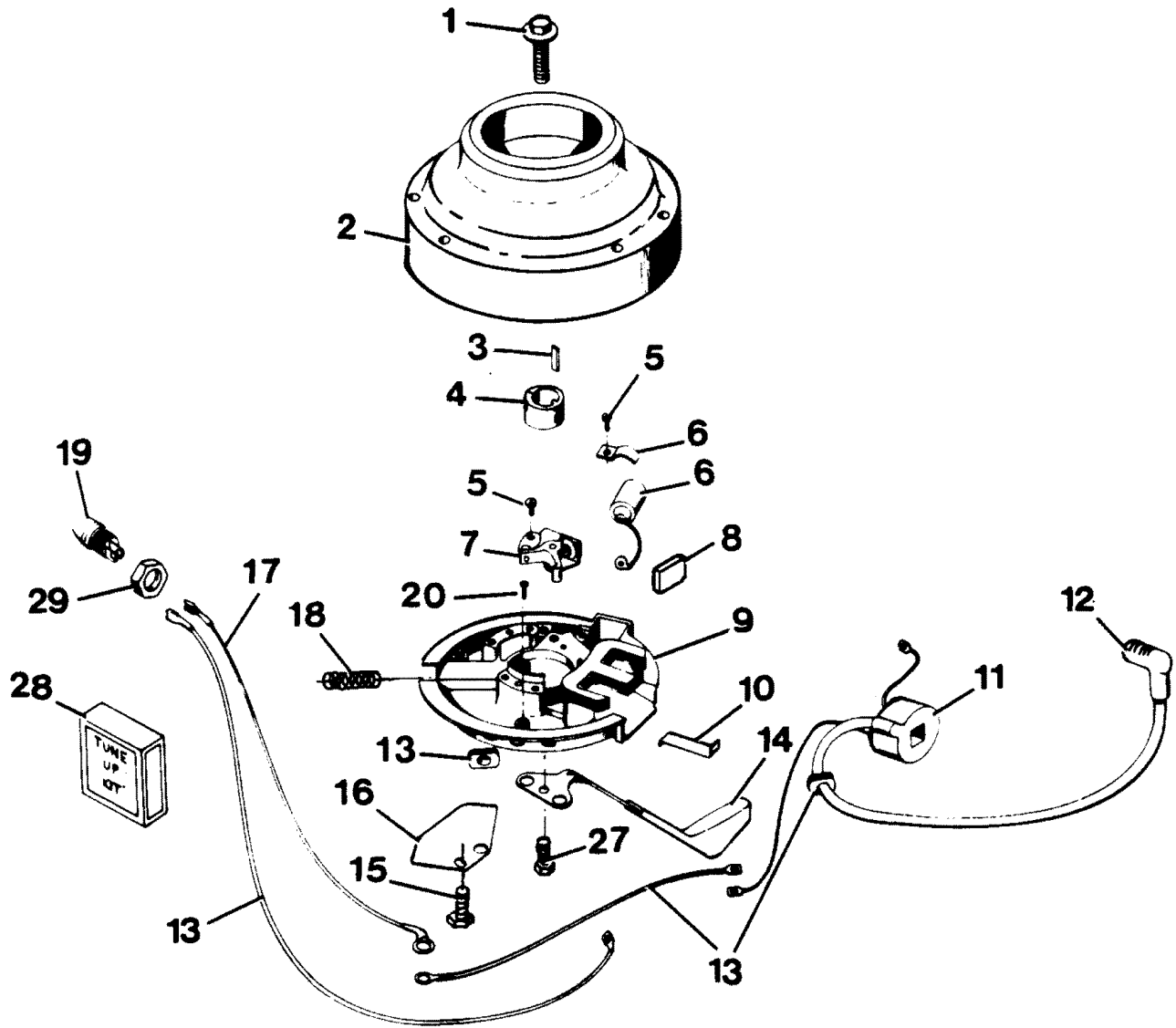
STARTER



STARTER

REF. NO.	PART NO.	SYM.	QTY.	DESCRIPTION
1	F1341		4	HEX NUT
2	FA521408		1	COVER
3	F521970		1	SPRING, REWIND
4	FA521239		1	ROTOR
5	F521232		1	STARTER ROPE
6	F620132		1	HANDLE, STARTER ROPE
7	F620817		1	RETAINER
8	F521003		1	SPRING
9	F521359		1	WASHER
10	F521818		1	NYLINER
11	FA521775		1	FRICITION SHOE ASSEMBLY
12	F2145		1	SCREW
13	F8061		4	INTERNAL TOOTH LOCKWASHER
-	50-817848A3		1	STARTER - COMPLETE W/ILLUS. 2 THRU 5 AND 8 THRU 12 ORIGINAL FORCE P/N A 521063-3

MAGNETO

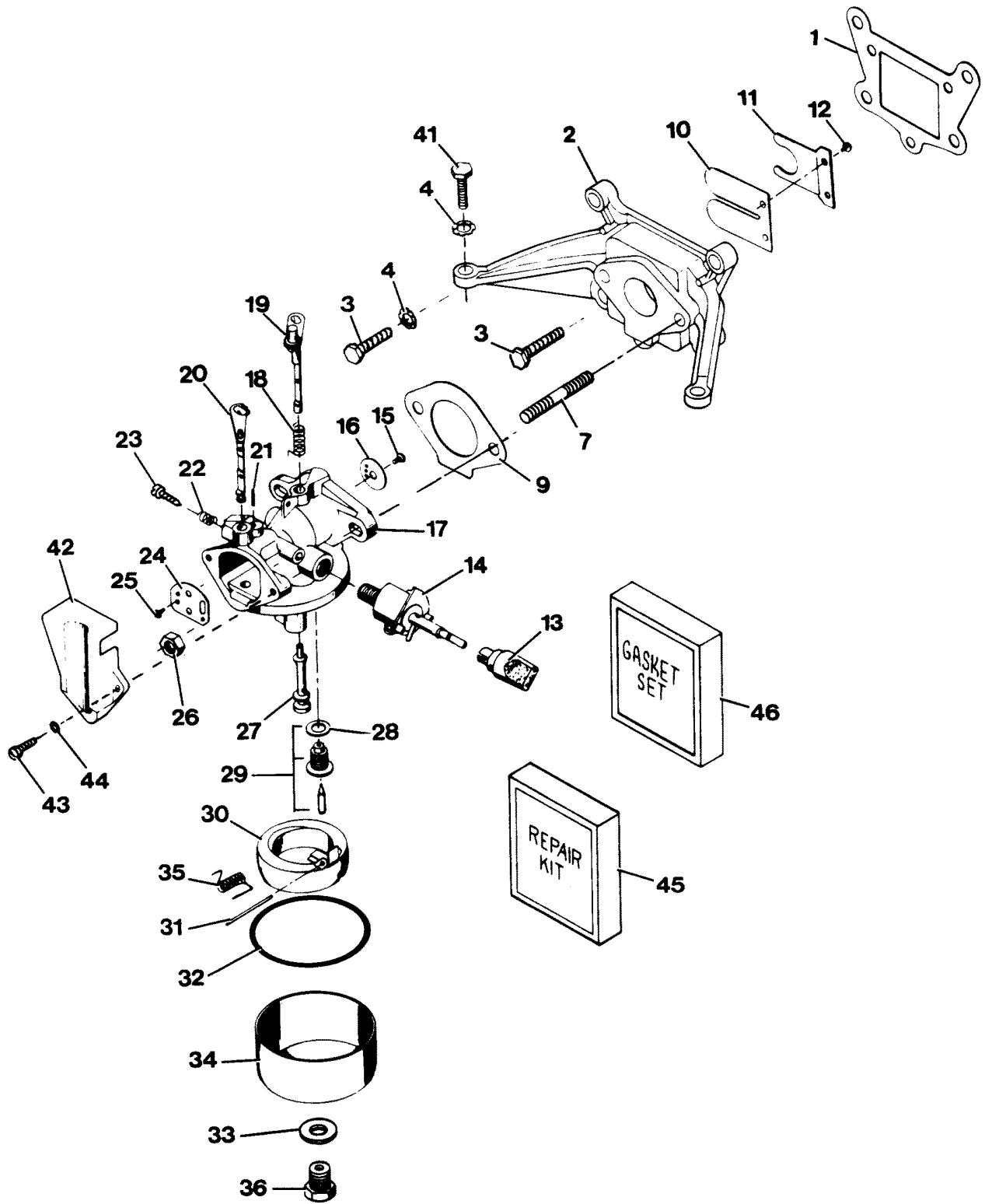


13

MAGNETO

REF. NO.	PART NO.	SYM.	QTY.	DESCRIPTION
1	F521552		1	SCREW, FLYWHEEL
2	F535097		1	FLYWHEEL
3	F521498		1	KEY, FLYWHEEL
4	F521002		1	CAM
5	F12090		2	MOUNTING SCREW
6	FK12357		1	CONDENSER W/CLAMP
7	F12359		1	CONTACT SET
8	F12360		1	FELT CAM
9	F12362		1	STATOR PLATE W/CORE
10	F12350		1	WEDGE SPRING
11	FK12369		1	COIL W/LEAD WIRE ILLUS. 10 & 12
12	FK1123		1	SPARKIE KIT
13	F12361		1	LEAD WIRE AND GROMMET PACKAGE
14	F521549-2		1	THROTTLE LEVER
15	F1655		1	HEX HD SCREW W/SPRING LOCKWASHER, 1/4 - 20 X 3/8
16	F521192		1	THROTTLE CAM
17	F521908		1	GROUND WIRE
18	F12066		1	FRICTON SCREW
19	FK436449		1	SHORTING SWITCH W/ILLUS. 29
20	F1755		1	ROUND HD SCREW W/LOCKWASHER
27	F1734		1	SLOTTED FILL HD SCREW, 1/4 - 20 X 1/2
28	FK1058		1	TUNE UP KIT. INCLUDES ITEMS MARKED WITH AN ASTERISK (*) .
29	F436280		1	NUT, SHORTING SWITCH

CARBURETOR & REED PLATE

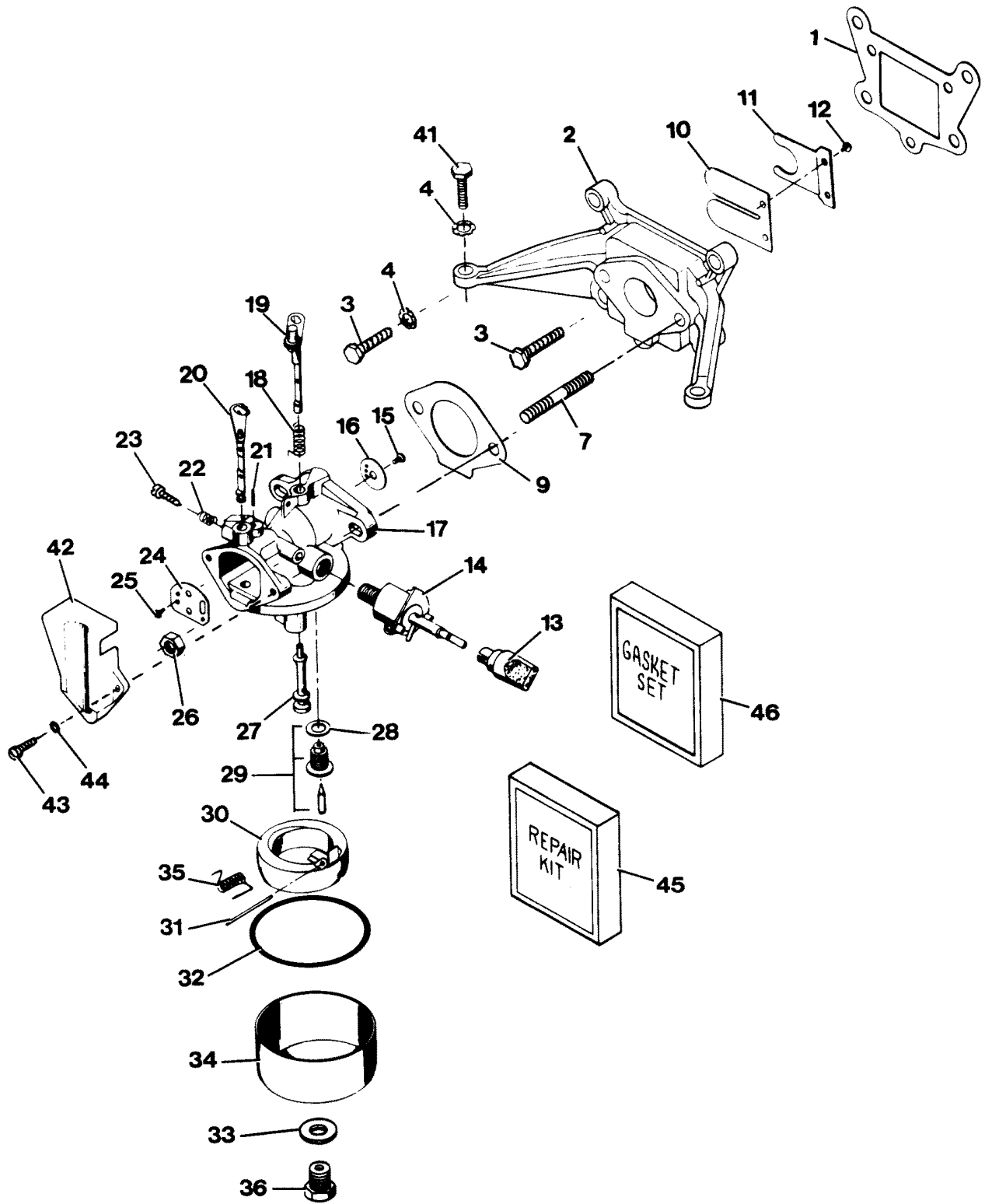


CARBURETOR & REED PLATE

REF. NO.	PART NO.	SYM.	QTY.	DESCRIPTION
1	F521168		1	GASKET, CARBURETOR ADAPTER (INCLUDED IN G 1022)
2	F2A332167		1	CARBURETOR ADAPTER W/ILLUS. 7, 10, 11 AND 12
3	F1532		4	HEX CAP SCREW, 1/4 - 20 X 1
4	F8060		4	INTERNAL TOOTH LOCKWASHER
7	F433209-1		2	STUD, CARBURETOR
9	F521906		1	GASKET, CARBURETOR (INCLUDED IN G 1022)
10	F31160-1		1	REED
11	F424161		1	REED STOP
12	F1755		2	ROUND HD SCREW W/LOCKWASHER, 6 - 32 X 5/16
13	F521550		1	KNOB, FUEL SHUT-OFF
14	F521489		1	VALVE, FUEL SHUT-OFF
15	F10071		1	SCREW
16	F10060		1	THROTTLE
17	F521061-6		1	CARBURETOR - COMPLETE
18	F10075		1	SPRING, THROTTLE RETURN
19	F10059		1	THROTTLE SHAFT
20	F10061		1	CHOKE SHAFT
21	F10072		1	SPRING, CHOKE STOP
22	F10073		1	SPRING, IDLE ADJUSTMENT NEEDLE
23	F10077		1	NEEDLE, IDLE
24	F10062		1	CHOKE VALVE
25	F10070		2	SCREW, CHOKE VALVE
26	F1490		2	HEX NUT, 1/4 - 20
27	F10065		1	NOZZLE
28	F10066		1	GASKET, VALVE SET
29	F10100		1	VALVE, SEAT AND GASKET ASSEMBLY W/ILLUS. 35
30	F10063		1	FLOAT
31	F10064		1	FLOAT PIN
32	F10068		1	GASKET, FUEL BOWL
33	F10090		2	GASKET, BOWL RETAINER
34	F10058		1	FUEL BOWL
35	F10084		1	SPRING, FLOAT SUPPORT
36	F10096		1	JET ASSEMBLY (.039) STD. SEA LEVEL - 3000 FT.
-	F10093		-	JET ASSEMBLY (.038) OPT. 3000 FT. - 5000 FT.
-	F10086		-	JET ASSEMBLY (.037) OPT. 5000 FT. - 7000 FT.
-	F10094		-	JET ASSEMBLY (.036) OPT. 7000 FT. AND UP
41	F2008		2	HEX CAP SCREW, 1/4 - 20 X 7/8
42	F521708		1	CARBURETOR COVER

CONTINUED ON NEXT PAGE ➡

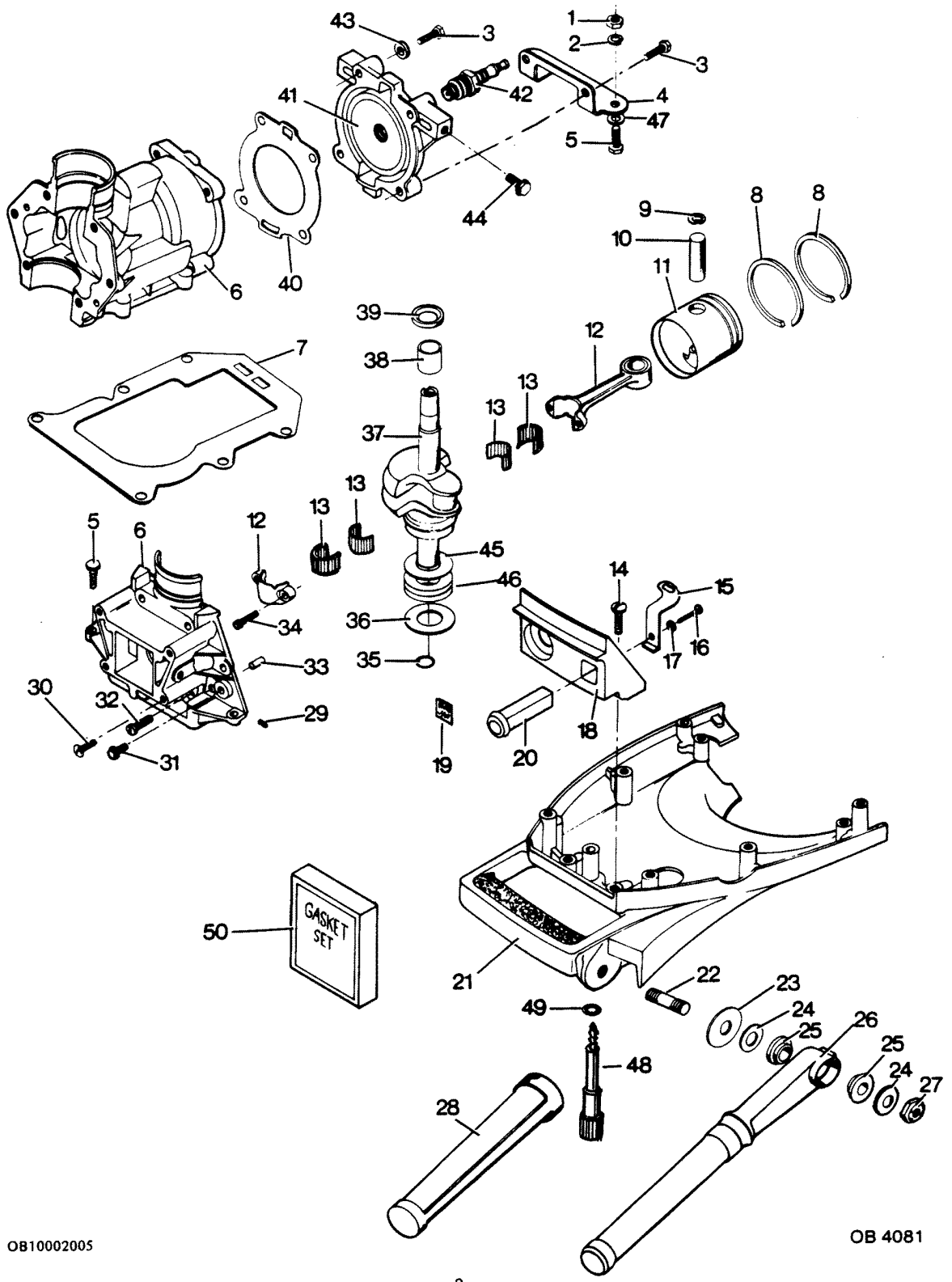
CARBURETOR & REED PLATE



CARBURETOR & REED PLATE

REF. NO.	PART NO.	SYM.	QTY.	DESCRIPTION
43	F1064		2	FILL HD SCREW, 8 - 32 X 3/8
44	F8078		2	LOCKWASHER, INTERNAL TOOTH
45	FK10098		1	REPAIR KIT. INCLUDES ALL ITEMS MARKED WITH AN ASTERISK (*) .
46	FK10069		1	GASKET SET. INCLUDES ALL ITEMS MARKED WITH A DOUBLE ASTERISK (**) .
-	F10116		1	BODY CHANNEL PLUG KIT (NOT SHOWN)

POWER HEAD & SUPPORT PLATE



OB10002005

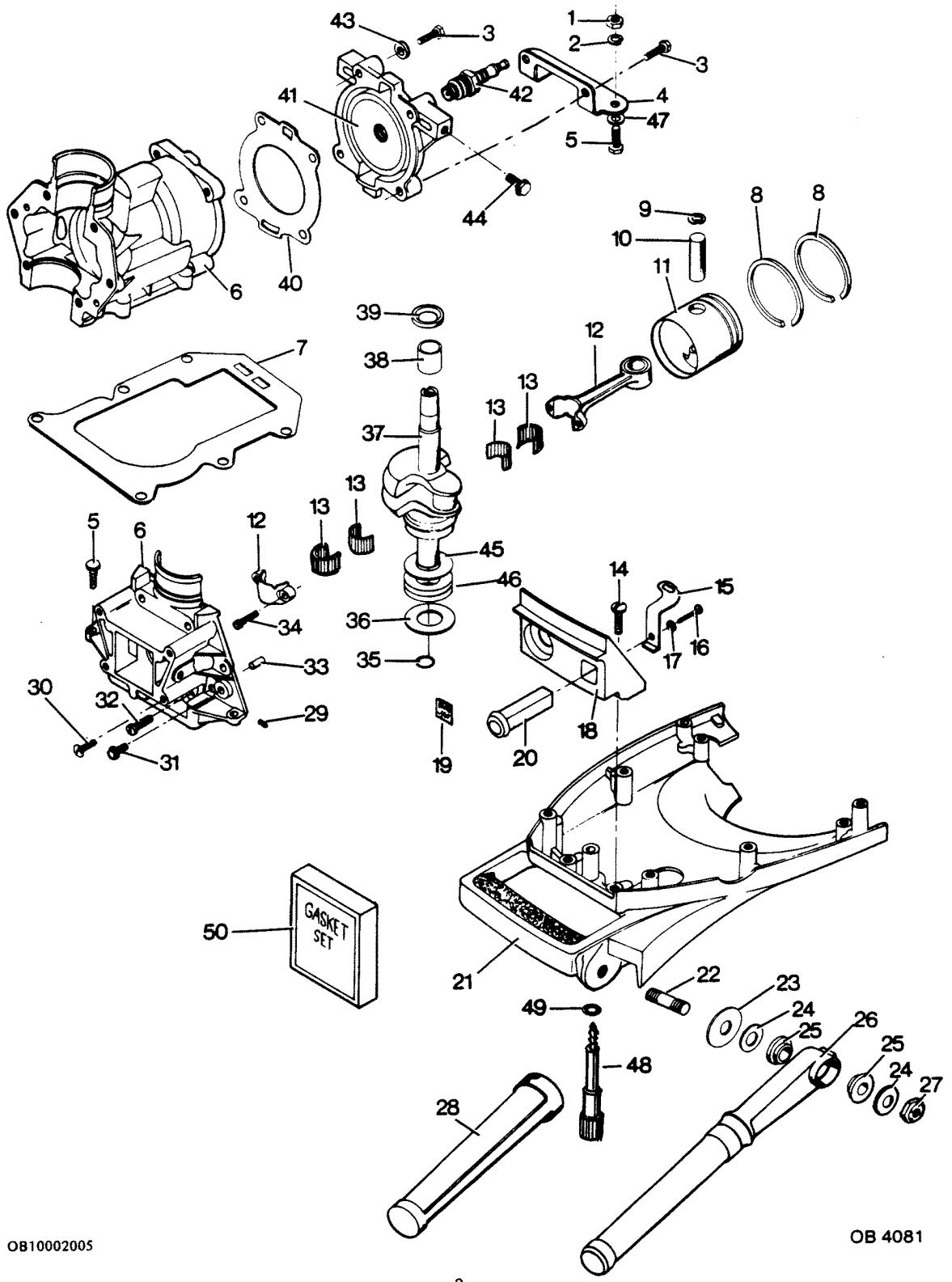
OB 4081

POWER HEAD & SUPPORT PLATE

REF. NO.	PART NO.	SYM.	QTY.	DESCRIPTION
1	F1341		2	HEX NUT
2	F8083		2	SPRING LOCKWASHER
3	F901938-1		4	SCREW, CYLINDER HEAD
4	F521774		1	BRACKET, ENGINE COVER LOWER MOUNTING
5	F1705		4	HEX HD CAP SCREW, 1/4 - 20 X 3/4
6	FA521010		1	CYLINDER W/CRANKCASE COVER ILLUS. 29, 30 AND 33
-	FC521010		1	SHORT BLOCK (NOT SHOWN). INCLUDES ALL ITEMS MARKED WITH AN ASTERISK (*).
7	F521279		1	GASKET, CYLINDER EXHAUST
8	39-818038A1		1	PISTON RING SET (2 RINGS)
9	F250410		2	PISTON PIN RETAINING RING
10	F250017		1	PISTON PIN
11	F521015-1		1	PISTON
12	F2A521016		1	CONNECTING ROD W/BEARING ILLUS. 34
13	FA567241		1	CRANKPIN ROLLER & CAGE SET
14	F1493		2	PAN HD SCREW, 1/4 - 20 X 5/8
15	F521925		1	LINK, CHOKE KNOB
16	F2041		1	HEX HD M. SCREW, 10 - 24 X 3/8
17	F1975		1	SPRING LOCKWASHER
18	F535163		1	COVER, SUPPORT PLATE
19	FC521248		1	DECAL, CHOKE
20	F521547		1	CHOKE KNOB
21	FA271038		1	SUPPORT PLATE
22	F521004		1	STUD
23	F286286-1		1	WASHER, NYLON
24	F8015		2	PLAIN WASHER
25	F521319		2	BUSHING, STEERING HANDLE
26	F521079		1	STEERING HANDLE
27	F1756		1	STOP NUT
28	F390137		1	GRIP, STEERING HANDLE
29	F1789		1	PIPE PLUG
30	F1107		2	FILL HD M. SCREW, 1/4 - 20 X 3/4
31	F2040		1	HEX WASHER HD TAPTITE SCREW, 1/4 - 20 X 5/8
32	F1504		4	SLOTTED FILL HD SCREW, 1/4 - 20 X 1-1/4
33	F8559		2	DOWEL PIN
34	F36634		2	SCREW, CONNECTING ROD
35	F521579		1	SEAL, CRANKSHAFT SPINE
36	F521118-1		1	SEAL, CRANKSHAFT LOWER
37	F2A527018		1	CRANKSHAFT W/ILLUS. 45 AND 46
38	F521013		1	BEARING, CRANKSHAFT UPPER
39	F521146		1	SEAL, CRANKSHAFT UPPER
40	F521529		1	GASKET, CYLINDER HEAD
41	F521518		1	CYLINDER HEAD

CONTINUED ON NEXT PAGE ➡

POWER HEAD & SUPPORT PLATE



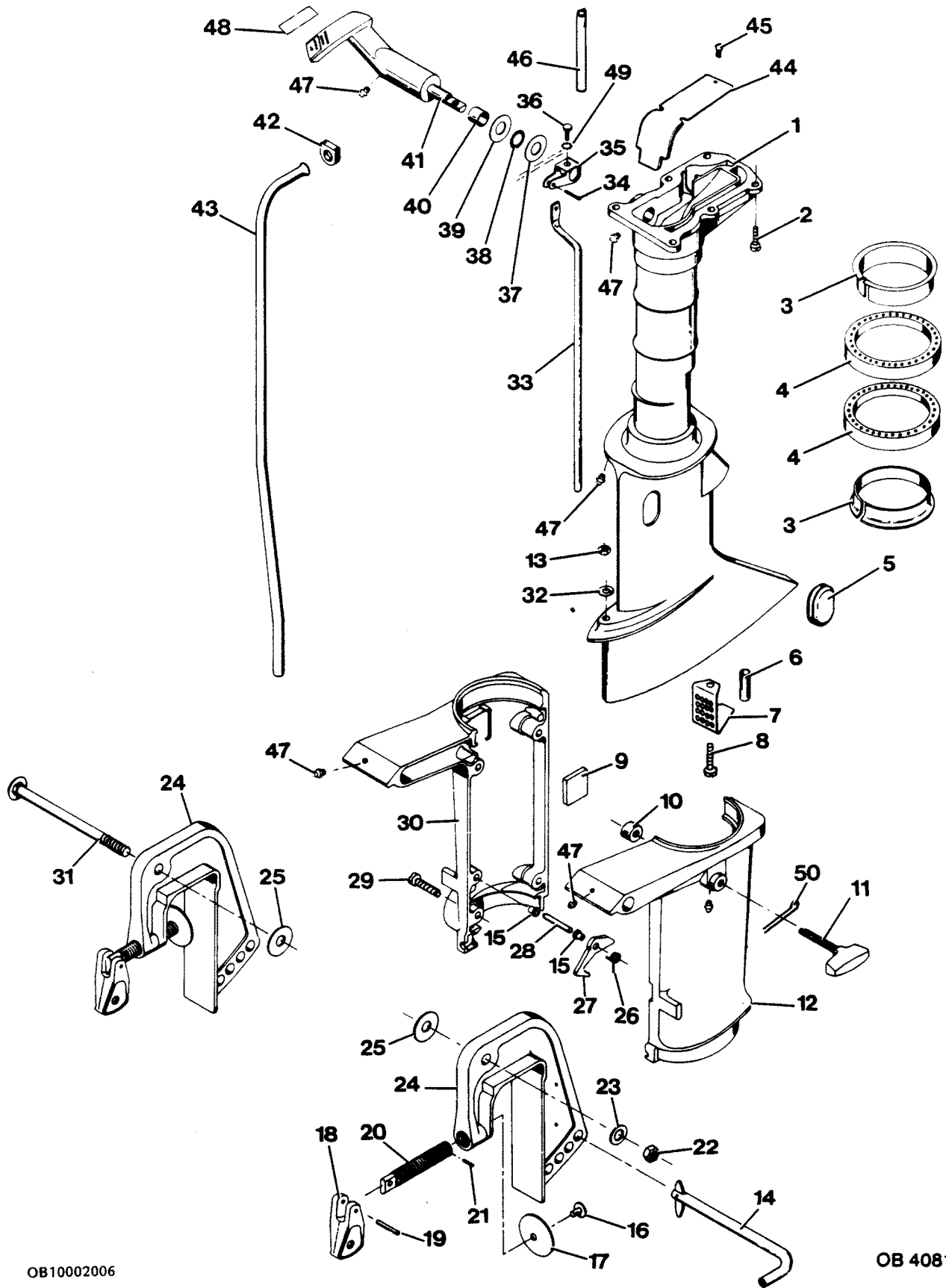
OB10002005

OB 4081

POWER HEAD & SUPPORT PLATE

REF. NO.	PART NO.	SYM.	QTY.	DESCRIPTION
42	33-82370M		1	SPARK PLUG (L-86) (USA)
43	F8028		2	PLAIN WASHER
44	F1426		2	HEX HD SCREW W/LOCKWASHER, 1/4 - 20 X 7/16
45	F521270		1	SLINGER
46	F521910		1	BEARING, CRANKSHAFT LOWER
47	F8008		2	PLAIN WASHER
48	F341284-1		1	KNOB, ENGINE COVER RETAINER
49	F9102		1	RETAINING RING
50	FG1022		1	GASKET SET. INCLUDES ITEMS LISTED BELOW.
-	F521168		1	CARBURETOR ADAPTER GASKET
-	F521279		1	CYLINDER EXHAUST GASKET
-	F521529		1	CYLINDER HEAD GASKET
-	F521906		1	CARBURETOR GASKET

MOTOR LEG



OB10002006

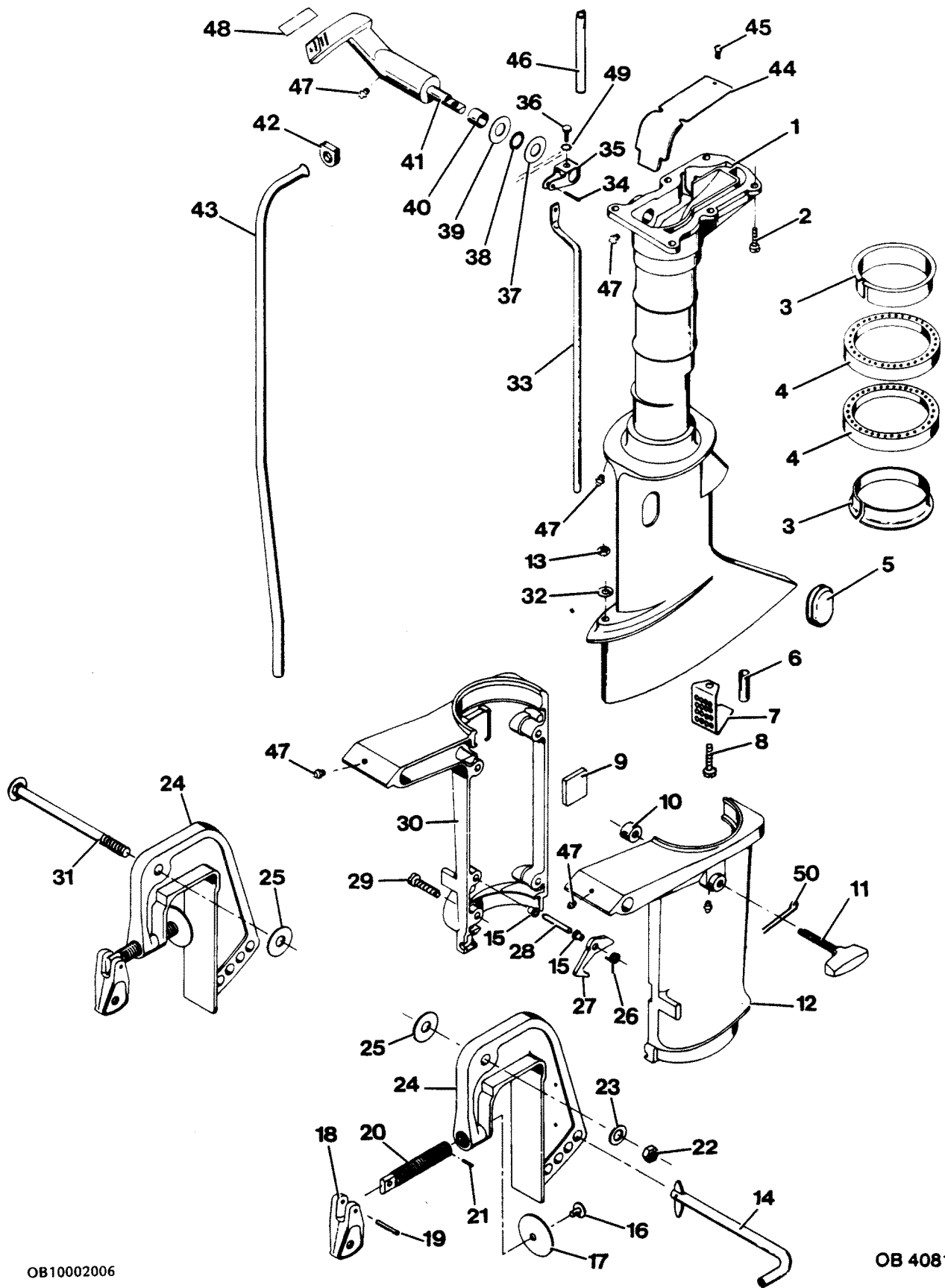
OB 4081

MOTOR LEG

REF. NO.	PART NO.	SYM.	QTY.	DESCRIPTION
1	1500-817940A6		1	MOTOR LEG W/ITEMS 40, 44, 45, 46 AND 47 ORIGINAL FORCE P/N K 341133-2
2	F1864		6	HEX HD SCREW, 1/4 - 20 X 3/4
3	F468169		2	BEARING, SWIVEL BRACKET
4	FA468346		2	SHOCK MOUNT W/LITERATURE
5	F46899-1		1	COVER, SHIFT COUPLING
6	F521727		1	SLEEVE, IDLE BAFFLE
7	F521779		1	BAFFLE, IDLE RELIEF
8	F1747		1	FILL HD SCREW, 10 - 24 X 1-11/16
9	F521661-1		1	PAD, SWIVEL FRICTION
10	F521631		1	SHOE, SWIVEL FRICTION
11	F521514		1	KNOB, STEERING FRICTION W/SCREW
12	817815A4		1	SWIVEL BRACKET - PORT W/ILLUS. 15 & 47 ORIGINAL FORCE P/N A 521072-3
13	F1341		1	HEX NUT
14	817810A1		1	LOCK BAR ASSEMBLY
15	F197813		2	BEARING
16	F66480		2	STUD
17	F24074		2	CLAMP SCREW FOOT
18	F298075		2	HANDLE, CLAMP SCREW
19	F8554		2	SPRING PIN
20	817761A2		2	CLAMP SCREW W/ILLUS. 16, 17 AND 21 ORIGINAL FORCE P/N A 298073-2
21	F8537		2	SPRING PIN
22	F7026		1	STOP NUT
23	F2014		1	PLAIN WASHER
24	1400-817850A4		2	STERN BRACKET W/ILLUS. 20 ORIGINAL FORCE P/N A 521532-3
25	F2037		2	PLAIN WASHER
26	F468300-1		1	SPRING, REVERSE LOCK
27	F468349		1	REVERSE LOCK
28	F468350		1	PIN, REVERSE LOCK
29	F2035		4	PHILLIPS FILL HD SCREW, 1/4 - 20 X 1
30	817816A6		1	SWIVEL BRACKET - STARBOARD W/ILLUS. 9 AND 47 ORIGINAL FORCE P/N A 468572-3
31	F468037-1		1	PIVOT BOLT
32	F8083		1	SPRING LOCKWASHER
33	F521615		1	ROD, GEAR SHIFT UPPER
34	F1406		1	COTTER PIN
35	F521621		1	LEVER, GEAR SHIFT
36	F2041		1	HEX M. SCREW, 10 - 24 X 3/8
37	F2014		1	PLAIN WASHER
38	F19342		1	SEAL, SHIFT LEVER SHAFT
39	F521415		1	WASHER, GEAR SHIFT HANDLE

CONTINUED ON NEXT PAGE ➡

MOTOR LEG



OB10002006

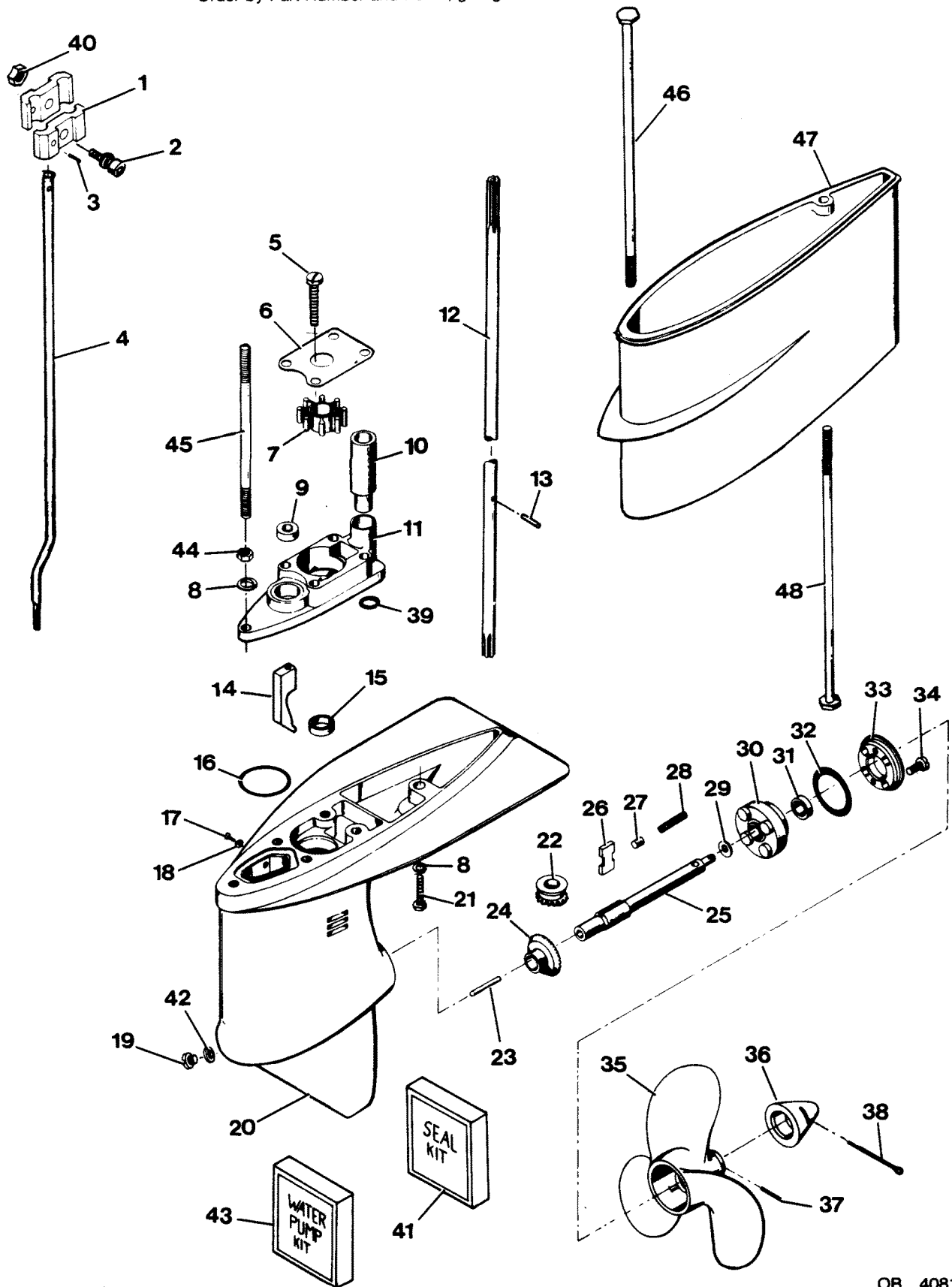
OB 4081

MOTOR LEG

REF. NO.	PART NO.	SYM.	QTY.	DESCRIPTION
40	F341610		1	BEARING, GEAR SHIFT SHAFT
41	820433T		1	HANDLE, GEAR SHIFT W/SHAFT
42	F521342-1		1	SEAL, WATER LINE
43	F521244-1		1	WATER LINE, STANDARD LEG (42 F6A, 42 FC6A)
-	F341244-1		1	WATER LINE, LONG LEG (43 F6A, 43 FC6A, 43 F5A, 43 FC5A)
44	FA341151		1	PLATE, EXHAUST W/ILLUS. 45
45	F1645		3	RD HD THD. CUTTING, 6 - 32 X 1/4
46	F521261		1	LINE, WATER OUTLET
47	F213274		6	FITTING, GREASE
48	FC521400		1	DECAL, GEAR SHIFT HANDLE (CANADA)
49	F1975		1	LOCKWASHER, #10
50	F1014		1	COTTER PIN

GEAR HOUSING

Order by Part Number and Name, giving first



OB10002007

OB 4081

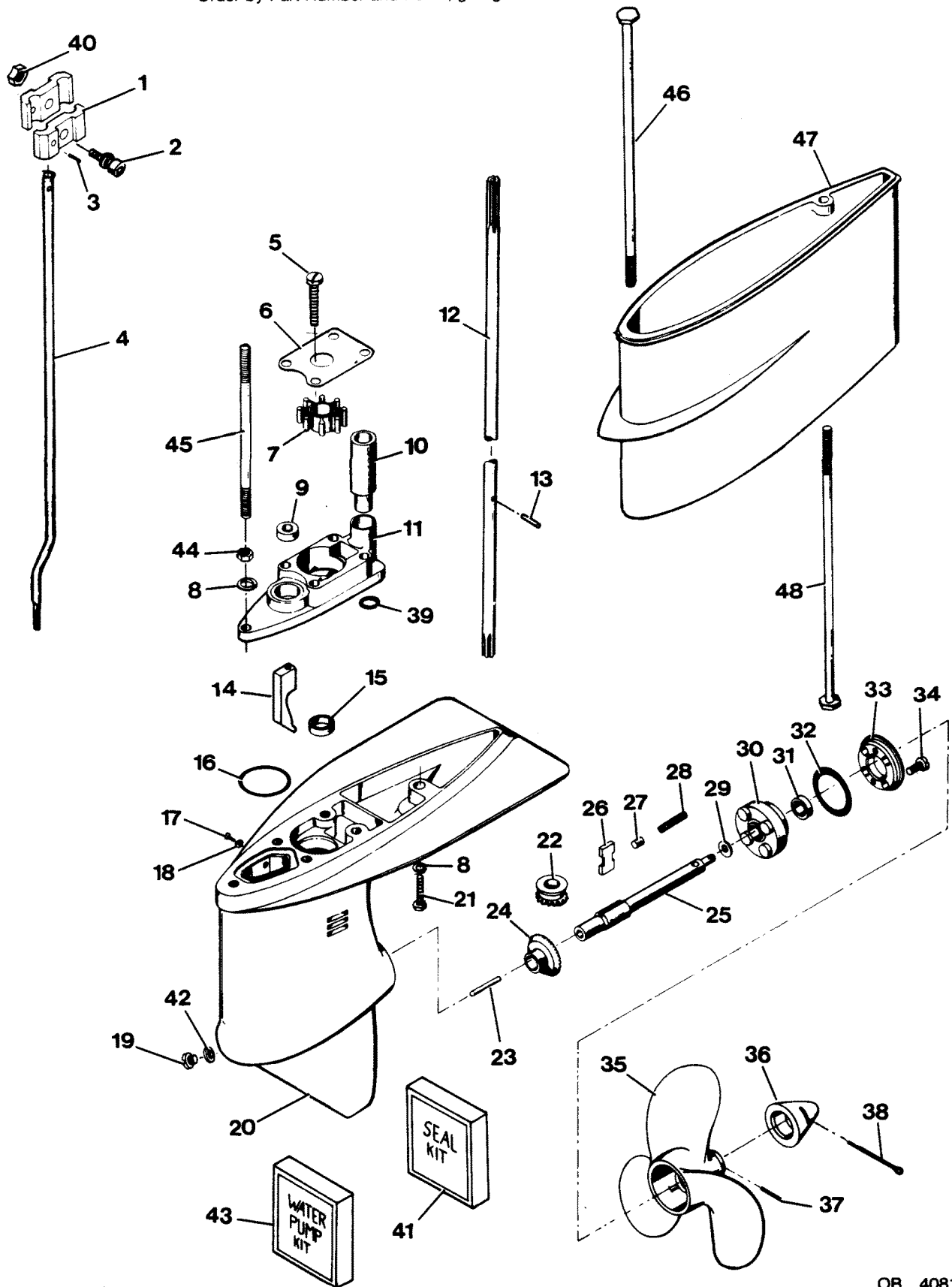
GEAR HOUSING

REF. NO.	PART NO.	SYM.	QTY.	DESCRIPTION
1	FK341704		1	COUPLING, GEAR SHIFT ROD W/ILLUS.2,& 40 AND LITERATURE
2	F1371		1	SOCKET HD SCREW W/LOCKWASHER, 10 - 24 X 5/8
3	F8538		1	SPRING PIN
4	F521705-1		1	ROD, GEAR SHIFT LOWER (42 F6A, 42 FC6A)
-	F332705-1		1	ROD, GEAR SHIFT LOWER (43 F6A, 43 FC6A, 43 F5A, 43 FC5A)
5	F1504		4	FILL HD SCREW, 1/4 - 20 X 1-1/4
6	F521537		1	PLATE, WATER PUMP
7	F521065		1	IMPELLER
8	F8083		2	SPRING LOCKWASHER
9	F338618-1		1	SEAL, SHIFT ROD
10	FA521735		1	SEAL, WATER LINE W/LITERATURE
11	FA735060		1	WATER PUMP BODY W/PLUG ILLUS. 39 ORIGINAL FORCE P/N A 521060-2
12	F521128		1	DRIVESHAFT (42 F6A, 42 FC6A)
-	F341128		1	DRIVESHAFT (43 F6A, 43 FC6A)
13	F390563		1	PIN, WATER PUMP IMPELLER DRIVE
14	F521721		1	CAM, CLUTCH SHIFT
15	F318307		1	SEAL, DRIVESHAFT
16	F521783		1	SEAL
17	F1077		1	FILL HD SCREW, 10 - 24 X 1/4
18	F8074		1	WASHER
19	F50109		1	PLUG, GEAR HOUSING
20	F2A521054		1	GEAR HOUSING W/ILLUS. 15, 17, 18, 19 AND 42
-	FC341054		1	GEAR HOUSING COMPLETE (42 F6A, 42 FC6A, 43 F6A, 43 FC6A) INCLUDES ALL ITEMS MARKED WITH AN ASTERISK (*).
21	F1199		1	HEX CAP SCREW, 1/4 - 20 X 1
22	F521266		1	BEVEL PINION GEAR
23	F521728		1	CLUTCH SHIFT PIN
24	FA521023		1	BEVEL GEAR W/BEARING
25	F409098		1	PROPELLER SHAFT (42 F6A, 42 FC6A, 43 F6A, 43 FC6A, 43 F5A, 43 FC5A)
26	F409521		1	CLUTCH
27	F318372		1	PIN, CLUTCH GUIDE
28	F409719		1	CLUTCH SPRING
29	F521099		1	SPACER
30	FA341298		1	BEARING CAGE W/BEARING ILLUS. 31
31	F521307		1	SEAL, PROPELLER SHAFT
32	F521305		1	SEAL, "O" RING
33	F521296		1	RETAINER, PROPELLER SHAFT BEARING CAGE
34	F525457		4	FILL HD SCREW, 1/4 - 20 X 5/8
35	FP332		1	PROPELLER (42 F6A, 42 FC6A)
-	FP652		1	PROPELLER (43 F6A, 43 FC6A, 43 F5A, 43 FC5A)

CONTINUED ON NEXT PAGE ➡

GEAR HOUSING

Order by Part Number and Name, giving first



OB10002007

OB 4081

GEAR HOUSING

REF. NO.	PART NO.	SYM.	QTY.	DESCRIPTION
36	11-817752A1		1	PROPELLER NUT WILLUS. 38 ORIGINAL FORCE P/N A 286094-1
37	FA324101		1	PROPELLER PIN, PACK OF 3 ILLUS. 38
38	F1846		1	COTTER PIN
39	F521246-1		1	PLUG, WATER PUMP
40	F7009		1	LOCK NUT, 10 - 24
41	FK1057		1	GEAR HOUSING SEAL KIT. INCLUDES ALL ITEMS MARKED WITH A DOUBLE ASTERISK (**).
42	F8077		1	WASHER
43	FK1072		1	WATER PUMP KIT. (INCLUDES ITEMS LISTED BELOW)
-	FA521735		1	WATERLINE SEAL
-	FA735060		1	BODY, WATER PUMP
-	F521537		1	PLATE, WATER PUMP TOP
-	F521065		1	IMPELLER, WATER PUMP
-	F338618-1		1	SEAL
-	F1504		4	FILL H.M.S. 1/4 - 20 X 1-1/4
44	F1341		1	HEX NUT
45	F601006		1	STUD
46	F1808		1	HEX CAP SCREW, 1/4 - 20 X 7 (43 F6A, 43 FC6A, 43 F5A, 43 FC5A)
47	F521845		1	EXTENSION, MOTOR LEG (43 F6A, 43 FC6A, 43 F5A, 43 FC5A)
48	F1825		1	HEX CAP SCREW, 1/4 - 20 X 6 (43 F6A, 43 FC6A, 43 F5A, 43 FC5A)

SPECIAL TOOLS - TUNE-UP

REF. NO.	PART NO.	SYM.	QTY.	DESCRIPTION
-	FT8930-1		0	FEELER GAUGE TO SET BREAKER POINT GAP
-	FT8998		0	KNOCK-OFF SCREW TO REMOVE FLYWHEEL
-	FT2989		0	FLYWHEEL WEDGE TO REMOVE FLYWHEEL
-	FT2993		0	SPANNER WRENCH TO HOLD FLYWHEEL WHEN REMOVING FLYWHEEL SCREW
-	FT2998		0	TORQUE WRENCH TO TORQUE FLYWHEEL SCREW

S PECIAL TOOLS - POWER HEAD

REF. NO.	PART NO.	SYM.	QTY.	DESCRIPTION
-	FT8919		0	PIN PUNCH TO REMOVE CYLINDER CRANKCASE COVER LOCATING PINS
-	FT8929		0	CONNECTING ROD TOOL TO REMOVE CONNECTING ROD SCREWS
-	FT8926		0	RING EXPANDER TO REMOVE AND INSTALL PISTON RINGS
-	FT1749		0	SNAP RING PLIERS TO REMOVE AND INSTALL PISTON PIN RETAINING RINGS
-	FT2997		0	RING COMPRESSOR INSTALL PISTON AND RINGS IN CYLINDER
-	FT2999		0	TORQUE WRENCH TO PROPERLY TIGHTEN FASTENERS
-	FT2991		0	CARBON BRUSH TO REMOVE CARBON BUILD-UP FROM PISTON AND CYLINDER HEAD
-	FT8900		0	HOSE CLAMP PLIERS TO REMOVE CLAMPS FROM FUEL LINES
-	FT2990		0	PISTON PIN TOOL TO INSTALL PISTON PIN INTO PISTON

SPECIAL TOOLS - LOWER UNIT

REF. NO.	PART NO.	SYM.	QTY.	DESCRIPTION
-	FT8948-1		0	PULLER TO REMOVE BEARING CAGE RETAINER
-	FT2915		0	SEAL INSTALLER TO INSTALL PROPELLER SHAFT SEAL AND DRIVE SHAFT SEAL
-	FT8957		0	SEAL INSTALLER TO INSTALL SHIFT ROD SEAL

SPECIAL TOOLS - TEST EQUIPMENT

REF. NO.	PART NO.	SYM.	QTY.	DESCRIPTION
-	FT8950		0	LEAKAGE TESTER TO CHECK GEAR HOUSING FOR LEAKS

SPECIAL TOOLS - LUBRICANTS AND SEALANTS

REF. NO.	PART NO.	SYM.	QTY.	DESCRIPTION
-	FT2961		0	LUBRICANT - RYKON GREASE #2EP
-	FT2987-1		0	LUBRICANT - ANTI-SEIZE
-	FT8969		0	LUBRICANT - L PS-1
-	FT8983		0	SEALANT - RTV
-	FT8936-1		0	SEALANT - LOCTITE RETAINING COMPOUND #75
-	FT2962-2		0	SEALANT - LOCTITE H, NON-HARDENING GRADE
-	FT2963-2		0	SEALANT - LOCTITE D, HARDENING GRADE
-	FT8935		0	SEALANT PRIMER - GRADE T

ACCESSORIES

REF. NO.	PART NO.	SYM.	QTY.	DESCRIPTION
-	F5H025		0	ANTI-CORROSION SACRIFICIAL ANODE TO PROTECT ENGINE FROM ELECTROLYSIS CORROSION.
-	F5H093		0	LEG EXTENSION KIT CONVERTS 15 INCH STANDARD SHAFT MODEL TO 20 INCH LONG SHAFT MODEL.
-	F596-		0	US MARINE OUTBOARD OIL SEE NOTE 1
-	597-		0	US MARINE OUTBOARD GEAR LUBE SEE NOTE 2
-	F5H181		0	FORCE WHITE ENAMEL ENGINE TOUCH-UP PAINT IN 13 OUNCE AVERAGE SPRAY BOMBS (6 CANS PER CASE).
-	F5H182		0	FORCE WHITE ENAMEL

PARTS INDEX

Part Number	Description	Pg.	Ref. No.	Part Number	Description	Pg.	Ref. No.
817761A2	CLAMP SCREW	19	20	F1341	HEX NUT	19	13
817810A1	LOCK BAR ASSEMBLY	19	14	F1341	HEX NUT	25	44
817815A4	SWIVEL BRACKET - PORT	19	12	F1371	SOCKET HD SCREW		
817816A6	SWIVEL BRACKET - STARBOARD	19	30		W/LOCKWASHER, 10 - 24 X 5/8	23	2
820433T	HANDLE, GEAR SHIFT W/SHAFT	21	41	F1406	COTTER PIN	19	34
F10058	FUEL BOWL	11	34	F1426	HEX HD SCREW W/LOCKWASHER, 1/4 - 20 X 7/16	17	44
F10059	THROTTLE SHAFT	11	19	F1473	HEX NUT	5	30
F10060	THROTTLE	11	16	F1490	HEX NUT, 1/4 - 20	11	26
F10061	CHOKE SHAFT	11	20	F1493	PAN HD SCREW, 1/4 - 20 X 5/8	15	14
F10062	CHOKE VALVE	11	24	F1504	FILL H.M.S. 1/4 - 20 X 1-1/4	25	-
F10063	FLOAT	11	30	F1504	FILL HD SCREW, 1/4 - 20 X 1-1/4	23	5
F10064	FLOAT PIN	11	31	F1504	SLOTTED FILL HD SCREW, 1/4 - 20 X 1-1/4	15	32
F10065	NOZZLE	11	27	F1532	HEX CAP SCREW, 1/4 - 20 X 1	11	3
F10066	GASKET, VALVE SET	11	28	F1645	RD HD THD. CUTTING, 6 - 32 X 1/4	21	45
F10068	GASKET, FUEL BOWL	11	32	F1655	HEX HD SCREW W/SPRING LOCKWASHER, 1/4 - 20 X 3/8	9	15
F10070	SCREW, CHOKE VALVE	11	25	F1705	HEX HD CAP SCREW, 1/4 - 20 X 3/4	15	5
F10071	SCREW	11	15	F1734	SLOTTED FILL HD SCREW, 1/4 - 20 X 1/2	9	27
F10072	SPRING, CHOKE STOP	11	21	F1747	FILL HD SCREW, 10 - 24 X 1-11/16	19	8
F10073	SPRING, IDLE ADJUSTMENT NEEDLE	11	22	F1755	ROUND HD SCREW W/LOCKWASHER	9	20
F10075	SPRING, THROTTLE RETURN	11	18	F1755	ROUND HD SCREW W/LOCKWASHER, 6 - 32 X 5/16	11	12
F10077	NEEDLE, IDLE	11	23	F1756	STOP NUT	15	27
F10084	SPRING, FLOAT SUPPORT	11	35	F1789	PIPE PLUG	15	29
F10086	JET ASSEMBLY (.037) OPT. 5000 FT. - 7000 FT.	11	-	F17938	ANCHOR	3	5
F10090	GASKET, BOWL RETAINER	11	33	F17980	FUEL CAP GASKET	3	3
F10093	JET ASSEMBLY (.038) OPT. 3000 FT. - 5000 FT.	11	-	F1808	HEX CAP SCREW, 1/4 - 20 X 7	25	46
F10094	JET ASSEMBLY (.036) OPT. 7000 FT. AND UP	11	-	F1825	HEX CAP SCREW, 1/4 - 20 X 6	25	48
F10096	JET ASSEMBLY (.039) STD. SEA LEVEL - 3000 FT.	11	36	F1829	FILL HD M. SCREW, 10 - 24 X 7/8	3	9
F10100	VALVE, SEAT AND GASKET ASSEMBLY	11	29	F1846	COTTER PIN	25	38
F10116	BODY CHANNEL PLUG KIT (NOT SHOWN)	13	-	F1864	HEX HD SCREW, 1/4 - 20 X 3/4	19	2
F1014	COTTER PIN	21	50	F19342	SEAL, SHIFT LEVER SHAFT	19	38
F1035	SLOTTED FILL HD SCREW, 1/4 - 20 X 5/8	3	10	F1975	LOCKWASHER, #10	21	49
F1064	FILL HD SCREW, 8 - 32 X 3/8	13	43	F1975	SPRING LOCKWASHER	15	17
F1077	FILL HD SCREW, 10 - 24 X 1/4	23	17	F197813	BEARING	19	15
F1107	FILL HD M. SCREW, 1/4 - 20 X 3/4	15	30	F1979	PAN HD SCREW, 10 - 24 X 1/2	3	23
F1199	HEX CAP SCREW, 1/4 - 20 X 1	23	21	F1995	SLOTTED FILL HD SCREW, 10 - 24 X 1	3	7
F12066	FRICTON SCREW	9	18	F2008	HEX CAP SCREW, 1/4 - 20 X 7/8	11	41
F12090	MOUNTING SCREW	9	5	F2014	PLAIN WASHER	19	23
F12350	WEDGE SPRING	9	10				
F12359	CONTACT SET	9	7				
F12360	FELT CAM	9	8				
F12361	LEAD WIRE AND GROMMET PACKAGE	9	13				
F12362	STATOR PLATE W/CORE	9	9				
F1341	HEX NUT	3	17				
F1341	HEX NUT	7	1				
F1341	HEX NUT	15	1				

PARTS INDEX

Part Number	Description	Pg.	Ref. No.	Part Number	Description	Pg.	Ref. No.
F2014	PLAIN WASHER	19	37	F468300-1	SPRING, REVERSE LOCK	19	26
F2035	PHILLIPS FILL HD SCREW, 1/4 - 20 X 1	19	29	F468349	REVERSE LOCK	19	27
F2037	PLAIN WASHER	19	25	F468350	PIN, REVERSE LOCK	19	28
F2040	HEX WASHER HD TAPTITE SCREW, 1/4 - 20 X 5/8	15	31	F46899-1	COVER, SHIFT COUPLING	19	5
F2041	HEX HD M. SCREW, 10 - 24 X 3/8	15	16	F50109	PLUG, GEAR HOUSING	23	19
F2041	HEX M. SCREW, 10 - 24 X 3/8	19	36	F521002	CAM	9	4
F2042	PLAIN WASHER, #10 NARROW	3	29	F521003	SPRING	7	8
F213274	FITTING, GREASE	21	47	F521004	STUD	15	22
F2145	SCREW	7	12	F521013	BEARING, CRANKSHAFT UPPER	15	38
F24074	CLAMP SCREW FOOT	19	17	F521015-1	PISTON	15	11
F250017	PISTON PIN	15	10	F521034-1	FUEL TANK	3	15
F250410	PISTON PIN RETAINING RING	15	9	F521061-6	CARBURETOR - COMPLETE	11	17
F2706772	HOSE CLAMP	3	13	F521065	IMPELLER	23	7
F286286-1	WASHER, NYLON	15	23	F521065	IMPELLER, WATER PUMP	25	-
F298075	HANDLE, CLAMP SCREW	19	18	F521079	STEERING HANDLE	15	26
F2A332167	CARBURETOR ADAPTER	11	2	F521099	SPACER	23	29
F2A521016	CONNECTING ROD W/BEARING	15	12	F521118-1	SEAL, CRANKSHAFT LOWER	15	36
F2A521054	GEAR HOUSING	23	20	F521128	DRIVESHAFT (42 F6A, 42 FC6A)	23	12
F2A527018	CRANKSHAFT	15	37	F521146	SEAL, CRANKSHAFT UPPER	15	39
F2C652712	ENGINE COVER COMPLETE.	3	-	F521168	CARBURETOR ADAPTER GASKET	17	-
F2C655712	ENGINE COVER COMPLETE.	3	-	F521168	GASKET, CARBURETOR ADAPTER	11	1
F31160-1	REED	11	10	F521192	THROTTLE CAM	9	16
F318307	SEAL, DRIVESHAFT	23	15	F521199	SPRING, THROTTLE LEVER ADJUSTMENT	3	28
F318372	PIN, CLUTCH GUIDE	23	27	F521232	STARTER ROPE	7	5
F332705-1	ROD, GEAR SHIFT LOWER (43 F6A, 43 FC6A, 43 F5A, 43 FC5A)	23	-	F521244-1	WATER LINE, STANDARD LEG (42 F6A, 42 FC6A)	21	43
F338618-1	SEAL	25	-	F521246-1	PLUG, WATER PUMP	25	39
F338618-1	SEAL, SHIFT ROD	23	9	F521251-3	GAS CAP COMPLETE.	3	2
F341128	DRIVESHAFT (43 F6A, 43 FC6A)	23	-	F521261	LINE, WATER OUTLET	21	46
F341244-1	WATER LINE, LONG LEG (43 F6A, 43 FC6A, 43 F5A, 43 FC5A)	21	-	F521266	BEVEL PINION GEAR	23	22
F341284-1	KNOB, ENGINE COVER RETAINER	17	48	F521270	SLINGER	17	45
F341610	BEARING, GEAR SHIFT SHAFT	21	40	F521279	CYLINDER EXHAUST GASKET	17	-
F36634	SCREW, CONNECTING ROD	15	34	F521279	GASKET, CYLINDER EXHAUST	15	7
F390137	GRIP, STEERING HANDLE	15	28	F521284-1	KNOB, ENGINE COVER RETAINER	3	26
F390563	PIN, WATER PUMP IMPELLER DRIVE	23	13	F521296	RETAINER, PROPELLER SHAFT BEARING CAGE	23	33
F409098	PROPELLER SHAFT	23	25	F521305	SEAL, "O" RING	23	32
F409521	CLUTCH	23	26	F521307	SEAL, PROPELLER SHAFT	23	31
F409719	CLUTCH SPRING	23	28	F521319	BUSHING, STEERING HANDLE	15	25
F424161	REED STOP	11	11	F521342-1	SEAL, WATER LINE	21	42
F427249	RETAINING RING	3	4	F521359	WASHER	7	9
F433209-1	STUD, CARBURETOR	11	7	F521415	WASHER, GEAR SHIFT HANDLE	19	39
F436280	NUT, SHORTING SWITCH	9	29	F521489	VALVE, FUEL SHUT-OFF	11	14
F459186	COLLAR, FUEL TANK	3	1	F521498	KEY, FLYWHEEL	9	3
F468037-1	PIVOT BOLT	19	31	F521514	KNOB, STEERING FRICTION W/SCREW	19	11
F468169	BEARING, SWIVEL BRACKET	19	3	F521518	CYLINDER HEAD	15	41
				F521529	CYLINDER HEAD GASKET	17	-
				F521529	GASKET, CYLINDER HEAD	15	40

PARTS INDEX

Part Number	Description	Pg.	Ref. No.	Part Number	Description	Pg.	Ref. No.
F521537	PLATE, WATER PUMP	23	6	F655528	DECAL, COVER - REAR (MOD 42 F6A, 42 FC6A) . .	5	32
F521537	PLATE, WATER PUMP TOP	25	-	F655892	DECAL, ENGINE COVER - FRONT (MOD 42 F6A, 42 FC6A)	5	33
F521547	CHOKE KNOB	15	20	F66480	STUD	19	16
F521549-2	THROTTLE LEVER	9	14	F7009	LOCK NUT, 10 - 24	25	40
F521550	KNOB, FUEL SHUT-OFF . . .	11	13	F7011	HEX NUT	3	21
F521552	SCREW, FLYWHEEL	9	1	F7026	STOP NUT	19	22
F521579	SEAL, CRANKSHAFT SPINE	15	35	F8008	PLAIN WASHER	3	25
F521615	ROD, GEAR SHIFT UPPER . .	19	33	F8008	PLAIN WASHER	17	47
F521621	LEVER, GEAR SHIFT	19	35	F8015	PLAIN WASHER	15	24
F521631	SHOE, SWIVEL FRICTION . .	19	10	F8028	PLAIN WASHER	17	43
F521661-1	PAD, SWIVEL FRICTION . . .	19	9	F8060	INTERNAL TOOTH LOCKWASHER	11	4
F521690-1	SCREW, THROTTLE LEVER ADJUSTMENT	3	27	F8061	INTERNAL TOOTH LOCKWASHER	3	16
F521705-1	ROD, GEAR SHIFT LOWER (42 F6A, 42 FC6A)	23	4	F8061	INTERNAL TOOTH LOCKWASHER	7	13
F521708	CARBURETOR COVER	11	42	F8074	WASHER	23	18
F521721	CAM, CLUTCH SHIFT	23	14	F8077	WASHER	25	42
F521727	SLEEVE, IDLE BAFFLE	19	6	F8078	LOCKWASHER, INTERNAL TOOTH	13	44
F521728	CLUTCH SHIFT PIN	23	23	F8083	SPRING LOCKWASHER . . .	15	2
F521774	BRACKET, ENGINE COVER LOWER MOUNTING	15	4	F8083	SPRING LOCKWASHER . . .	19	32
F521779	BAFFLE, IDLE RELIEF	19	7	F8083	SPRING LOCKWASHER . . .	23	8
F521783	SEAL	23	16	F8537	SPRING PIN	19	21
F521811	FITTING, GAS TANK	3	12	F8538	SPRING PIN	23	3
F521818	NYLINER	7	10	F8554	SPRING PIN	19	19
F521845	EXTENSION, MOTOR LEG (43 F6A, 43 FC6A, 43 F5A, 43 FC5A)	25	47	F8559	DOWEL PIN	15	33
F521894	DECAL, "OFF" (USA)	3	8	F901938-1	SCREW, CYLINDER HEAD . .	15	3
F521906	CARBURETOR GASKET	17	-	F9102	RETAINING RING	17	49
F521906	GASKET, CARBURETOR	11	9	FA271038	SUPPORT PLATE	15	21
F521908	GROUND WIRE	9	17	FA324101	PROPELLER PIN, PACK OF 3	25	37
F521910	BEARING, CRANKSHAFT LOWER	17	46	FA341151	PLATE, EXHAUST	21	44
F521925	LINK, CHOKE KNOB	15	15	FA341298	BEARING CAGE W/BEARING	23	30
F521970	SPRING, REWIND	7	3	FA468346	SHOCK MOUNT	19	4
F521984	BLANKET, SILENCER TOP . . .	5	31	FA521010	CYLINDER W/CRANKCASE COVER	15	6
F525457	FILL HD SCREW, 1/4 - 20 X 5/8	23	34	FA521023	BEVEL GEAR W/BEARING . .	23	24
F535097	FLYWHEEL	9	2	FA521239	ROTOR	7	4
F535163	COVER, SUPPORT PLATE	15	18	FA521408	COVER	7	2
F535944	ENGINE COVER, BOTTOM	3	6	FA521735	SEAL, WATER LINE	23	10
F5H025	ANTI-CORROSION SACRIFICIAL ANODE	31	-	FA521735	WATERLINE SEAL	25	-
F5H093	LEG EXTENSION KIT	31	-	FA521775	FRICTION SHOE ASSEMBLY	7	11
F5H181	FORCE WHITE ENAMEL	31	-	FA521778	RETAINER, ENGINE COVER FRONT	3	20
F5H182	FORCE WHITE ENAMEL	31	-	FA567241	CRANKPIN ROLLER & CAGE SET	15	13
F601006	STUD	25	45	FA735060	BODY, WATER PUMP	25	-
F620132	HANDLE, STARTER ROPE	7	6	FA735060	WATER PUMP BODY W/PLUG	23	11
F620817	RETAINER	7	7	FA901754	HOSE	3	14
F652396	DECAL, ENGINE COVER - STARBOARD	3	-	FC341054	GEAR HOUSING COMPLETE (42 F6A, 42 FC6A, 43 F6A, 43 FC6A)	23	-
F652397	DECAL, ENGINE COVER - PORT	3	-	FC521010	SHORT BLOCK (NOT SHOWN).	15	-
F655396	DECAL, ENGINE COVER - STARBOARD (MOD 42 F6A, 42 FC6A)	3	-	FC521248	DECAL, CHOKE	15	19
F655397	DECAL, ENGINE COVER - PORT (MOD 42 F6A, 42 FC6A)	3	19				

PARTS INDEX

Part Number	Description	Pg.	Ref. No.	Part Number	Description	Pg.	Ref. No.
FC521400	DECAL, GEAR SHIFT HANDLE (CANADA)	21	48	39-818038A1	PISTON RING SET (2 RINGS)	15	8
FC521894	DECAL, "OFF" (CANADA)	3	-	50-817848A3	STARTER - COMPLETE	7	-
FG1022	GASKET SET.	17	50	597-	US MARINE OUTBOARD GEAR LUBE	31	-
FK10069	GASKET SET.	13	46	1400-817850A4	STERN BRACKET	19	24
FK10098	REPAIR KIT.	13	45	1500-817940A6	MOTOR LEG	19	1
FK1057	GEAR HOUSING SEAL KIT.	25	41	F596-	US MARINE OUTBOARD OIL	31	-
FK1058	TUNE UP KIT.	9	28				
FK1072	WATER PUMP KIT.	25	43				
FK1123	SPARKIE KIT	9	12				
FK12357	CONDENSER W/CLAMP	9	6				
FK12369	COIL W/LEAD WIRE	9	11				
FK341704	COUPLING, GEAR SHIFT ROD	23	1				
FK436449	SHORTING SWITCH	9	19				
FK525713	PACKING, TOP COVER TRIM	3	18				
FP332	PROPELLER (42 F6A, 42 FC6A)	23	35				
FP652	PROPELLER (43 F6A, 43 FC6A, 43 F5A, 43 FC5A)	23	-				
FS535712	ENGINE COVER TOP W/RETAINER & PACKING	3	24				
FT1749	SNAP RING PLIERS	27	-				
FT2915	SEAL INSTALLER	28	-				
FT2961	LUBRICANT - RYKON GREASE #2EP	30	-				
FT2962-2	SEALANT - LOCTITE H, NON-HARDENING GRADE	30	-				
FT2963-2	SEALANT - LOCTITE D, HARDENING GRADE	30	-				
FT2987-1	LUBRICANT - ANTI-SEIZE	30	-				
FT2989	FLYWHEEL WEDGE	26	-				
FT2990	PISTON PIN TOOL	27	-				
FT2991	CARBON BRUSH	27	-				
FT2993	SPANNER WRENCH	26	-				
FT2997	RING COMPRESSOR	27	-				
FT2998	TORQUE WRENCH	26	-				
FT2999	TORQUE WRENCH	27	-				
FT8900	HOSE CLAMP PLIERS	27	-				
FT8919	PIN PUNCH	27	-				
FT8926	RING EXPANDER	27	-				
FT8929	CONNECTING ROD TOOL	27	-				
FT8930-1	FEELER GAUGE	26	-				
FT8935	SEALANT PRIMER - GRADE T	30	-				
FT8936-1	SEALANT - LOCTITE RETAINING COMPOUND #75	30	-				
FT8948-1	PULLER	28	-				
FT8950	LEAKAGE TESTER	29	-				
FT8957	SEAL INSTALLER	28	-				
FT8969	LUBRICANT - L PS-1	30	-				
FT8983	SEALANT - RTV	30	-				
FT8998	KNOCK-OFF SCREW	26	-				
11-817752A1	PROPELLER NUT	25	36				
33-82370M	SPARK PLUG (L-86) (USA)	17	42				
37-817908--3	DECAL, SPEED RANGE	3	11				
37-F685387-2	MEDALLION W/PAD (MOD 43 F6A, 43 FC6A, 43 F5A, 43 FC5A)	5	-				