



PARTS CATALOG

FORCE 1987 4 H.P.

SERIAL NUMBER

4 H.P. (1987)42F7A
4 H.P. (1987)43F7A
4 H.P. (1987)	C42F7A
4 H.P. (1987)	C43F7A

TABLE OF CONTENTS:

CARBURETOR & REED PLATE	8
ENGINE COVER AND FUEL TANK	2
GEAR HOUSING	20
MAGNETO	6
MOTOR LEG	16
PARTS INDEX	24
POWER HEAD & SUPPORT PLATE	12
STARTER	4

NOTE: *Indented description indicate that these parts are included in preceeding assembly.*

AR = As Required

NSS = Not Sold Separate

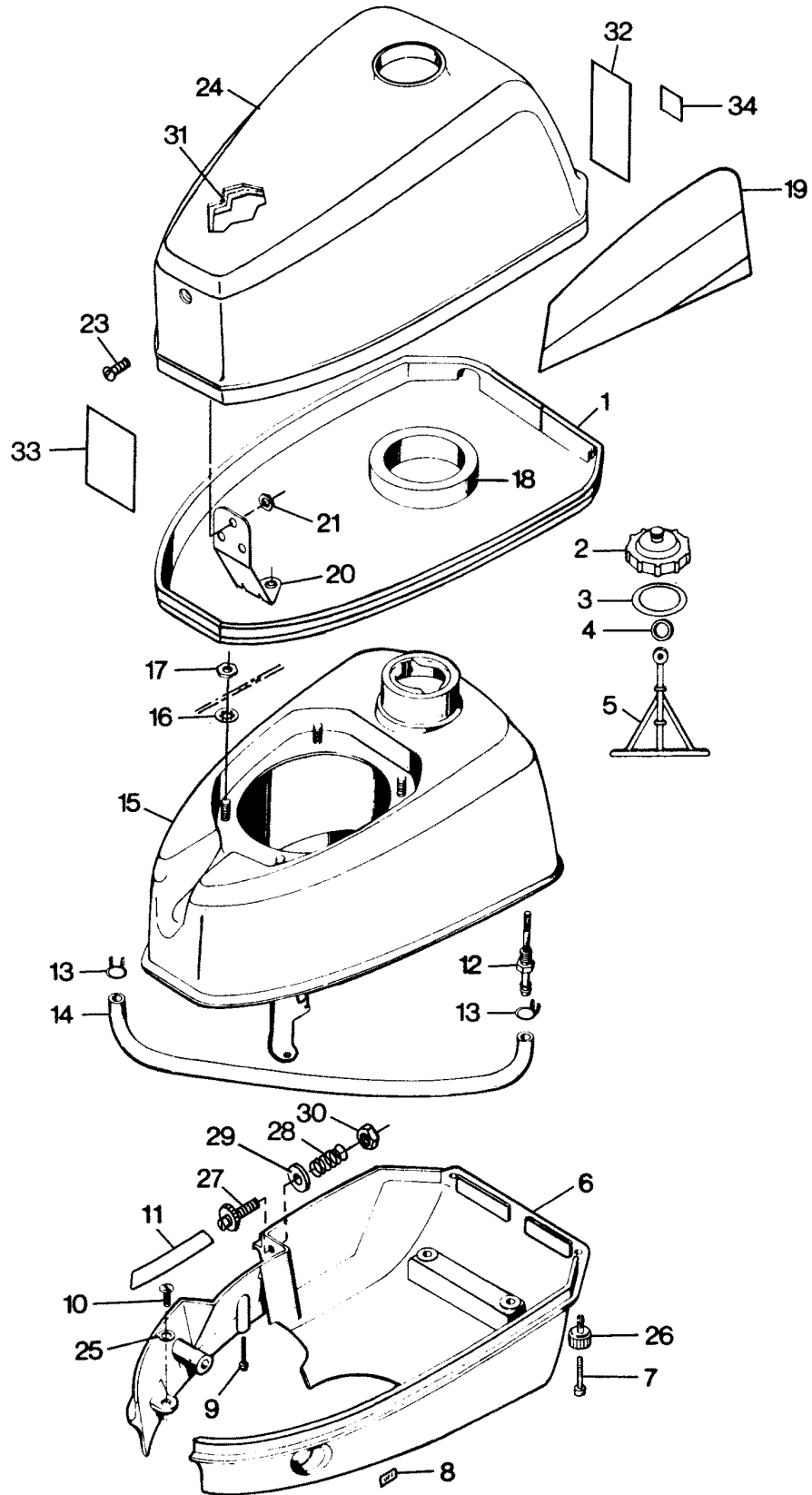
OPT = Optional

NS = Not Shown

THESE PARTS BOOKS/FICHE CARD ARE COPYRIGHTED AND MAY NOT BE DISTRIBUTED OR REPRODUCED IN ANY OTHER FORMAT BY ANYONE OTHER THAN MERCURY MARINE WITHOUT THE PRIOR WRITTEN CONSENT OF MERCURY MARINE.

THIS PAGE INTENTIONALLY LEFT BLANK

ENGINE COVER AND FUEL TANK



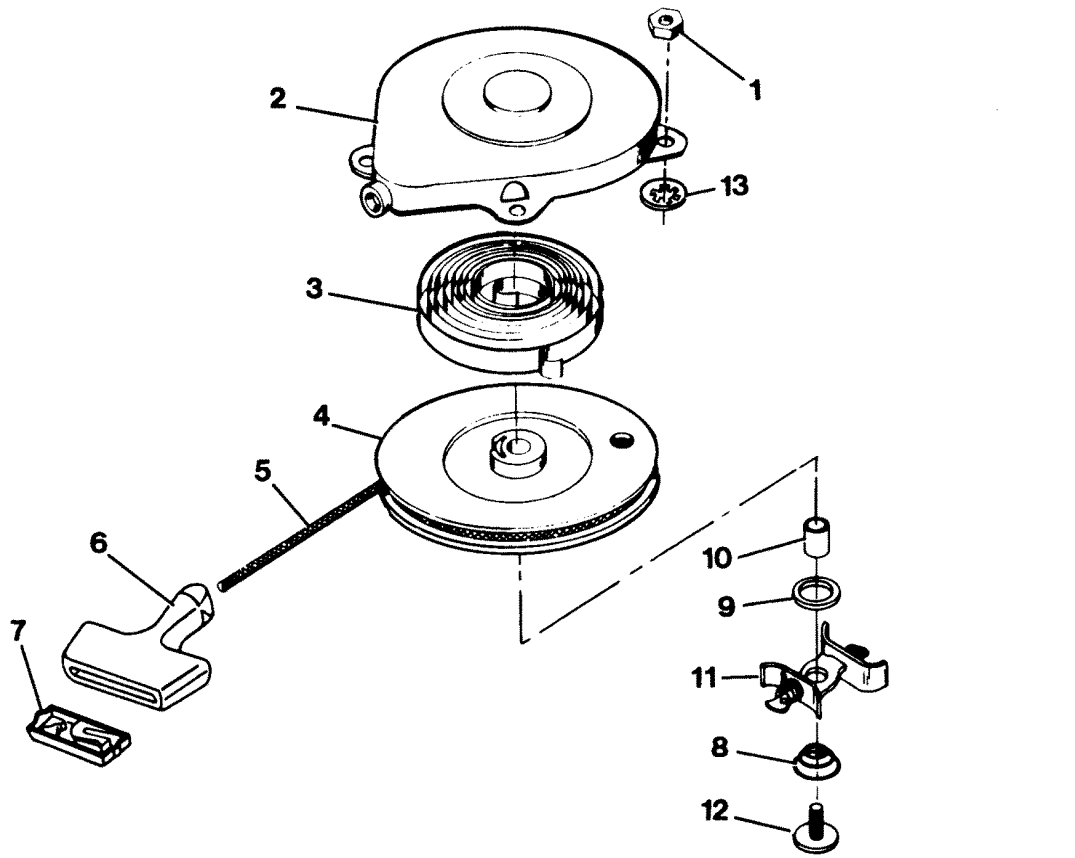
OB10002001

OB4096

ENGINE COVER AND FUEL TANK

REF. NO.	PART NO.	SYM.	QTY.	DESCRIPTION
1	F459186		1	COLLAR, FUEL TANK
2	F521251-3		1	GAS CAP COMPLETE. INCLUDES ILLUS. 3, 4 AND 5
3	F17980		1	FUEL CAP GASKET
4	F427249		1	RETAINING RING
5	F17938		1	ANCHOR
6	F535944		1	ENGINE COVER, BOTTOM
7	1995		2	SLOTTED FILL HD SCREW, 10 - 24 X 1
8	F665894		1	DECAL, "OFF" (USA)
-	F665894		1	DECAK "OFF" (CANADA)
9	1829		1	FILL HD M. SCREW, 10 - 24 X 7/8
10	F1035		3	SLOTTED FILL HD SCREW, 1/4 - 20 X 5/8
11	F521391-2		1	DECAL, SPEED RANGE
12	F521811		1	FITTING, GAS TANK
13	F2706772		2	HOSE CLAMP
14	F901754		1	HOSE W/ILLUS. 13
15	F521034-1		1	FUEL TANK
16	F8061		4	INTERNAL TOOTH LOCKWASHER (SEE PAGE 4, ILLUS. 13 - STARTER)
17	F1341		4	HEX NUT (SEE PAGE 4, ILLUS. 1 - STARTER)
18	FK525713		1	PACKING, TOP COVER TRIM W/LITERATURE
19	F665397		1	DECAL, ENGINE COVER - PORT
	F665396		1	DECAL, ENGINE COVER - STARBOARD
20	F521778		1	RETAINER, ENGINE COVER FRONT W/ILLUS. 21 & 23
21	7011		3	HEX NUT
23	F1979		3	PAN HD SCREW, 10 - 24 X 1/2
24	FS535712		1	ENGINE COVER TOP W/RETAINER & PACKING
	F665712		1	ENGINE COVER COMPLETE.
25	F8008		3	PLAIN WASHER
26	F521284		2	KNOB, ENGINE COVER RETAINER
27	F521690-1		1	SCREW, THROTTLE LEVER ADJUSTMENT
28	F521199		1	SPRING, THROTTLE LEVER ADJUSTMENT
29	F2042		1	PLAIN WASHER, #10 NARROW
30	1473		1	HEX NUT
31	F521984		1	BLANKET, SILENCER TOP
32	F665528		1	DECAL, COVER - REAR
33	F665892		1	DECAL, ENGINE COVER - FRONT
34	F665387		1	DECAL, LOGO

STARTER

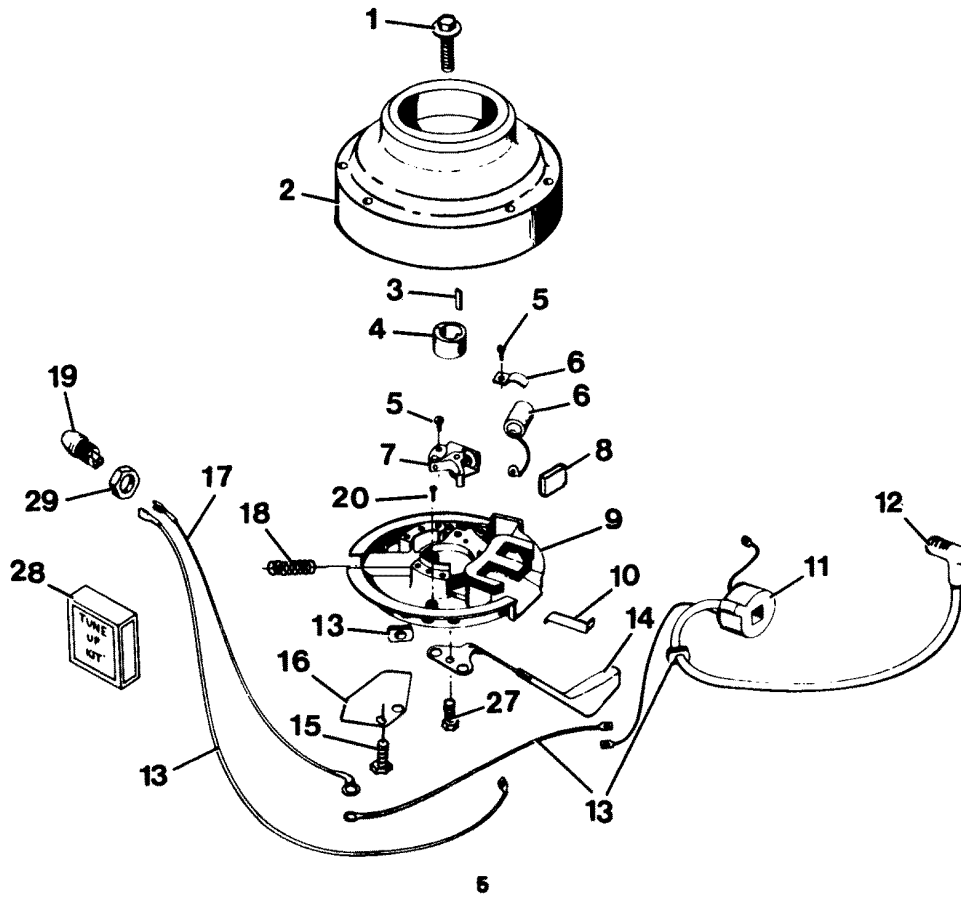


OB10002002

STARTER

REF. NO.	PART NO.	SYM.	QTY.	DESCRIPTION
1	F1341		4	HEX NUT
2	FA521408		1	COVER
3	F521970		1	SPRING, REWIND
4	FA521239		1	ROTOR
5	F521232		1	STARTER ROPE
6	F620132		1	HANDLE, STARTER ROPE
7	F620817		1	RETAINER
8	F521003		1	SPRING
9	F521359		1	WASHER
10	F521818		1	NYLINER
11	F521775		1	FRICITION SHOE ASSEMBLY
12	2145		1	SCREW
13	F8061		4	INTERNAL TOOTH LOCKWASHER
-	A521063-3		1	STARTER - COMPLETE W/ILLUS. 2 THRU 5 AND 8 THRU 12

MAGNETO



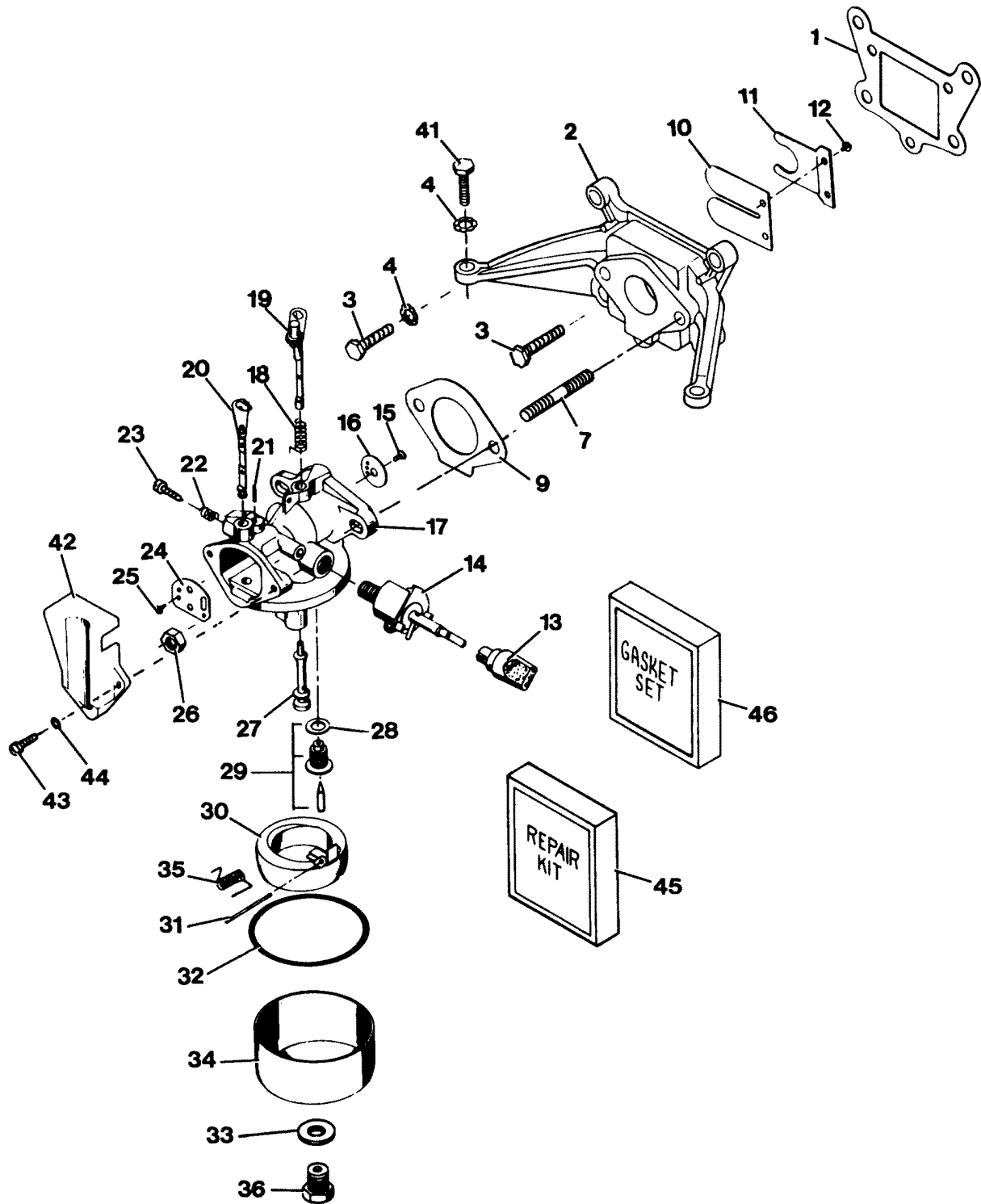
OB10002003

OB4096

MAGNETO

REF. NO.	PART NO.	SYM.	QTY.	DESCRIPTION
1	F521552		1	SCREW, FLYWHEEL
2	F535097		1	FLYWHEEL
3	F521498		1	KEY, FLYWHEEL
4	F521002		1	CAM
5	F12090		2	MOUNTING SCREW
6	F12357		1	CONDENSER W/CLAMP
7	F12359		1	CONTACT SET
8	F12360		1	FELT CAM
9	12362		1	STATOR PLATE W/CORE
10	F12350		1	WEDGE SPRING
11	F12369		1	COIL W/LEAD WIRE AND ILLUS. 10 & 12
12	FK1123		1	SPARKIE KIT
13	F12361		1	LEAD WIRE AND GROMMET PACKAGE
14	F521549-2		1	THROTTLE LEVER
15	1655		1	HEX HD SCREW W/SPRING LOCKWASHER, 1/4 - 20 X 3/8
16	F521192		1	THROTTLE CAM
17	F521908		1	GROUND WIRE
18	12066		1	FRICTION SCREW
19	F436449		1	SHORTING SWITCH W/ILLUS. 29
20	F1755		1	ROUND HD SCREW W/LOCKWASHER
27	F1734		1	SLOTTED FILL HD SCREW, W/1/4 - 20 X 1/2
28	F1058		1	TUNE UP KIT.
29	F436280		1	NUT, SHORTING SWITCH

CARBURETOR & REED PLATE

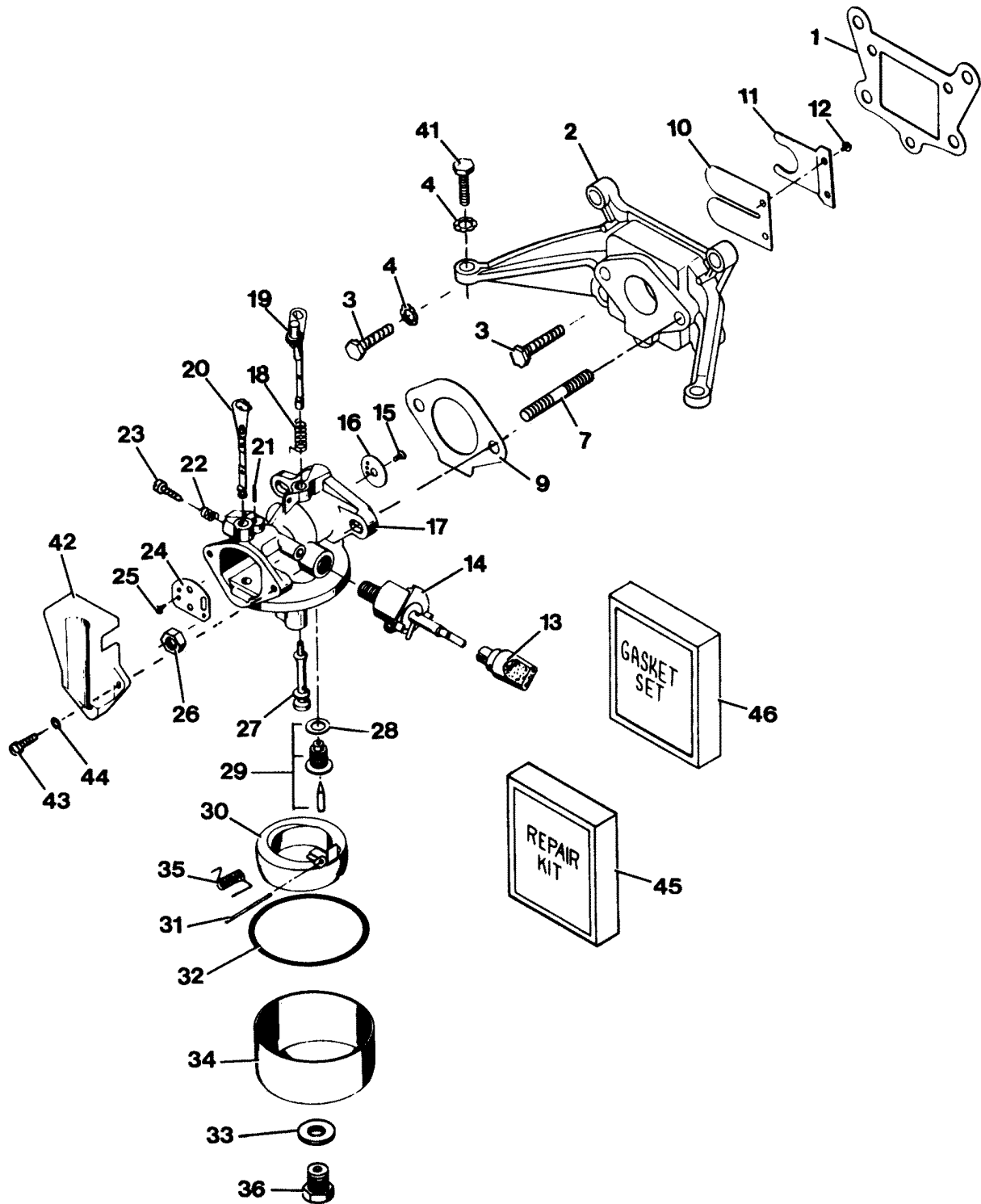


CARBURETOR & REED PLATE

REF. NO.	PART NO.	SYM.	QTY.	DESCRIPTION
1	F521168		1	GASKET, CARBURETOR ADAPTER (INCLUDED IN G 1022)
2	F2A332167		1	CARBURETOR ADAPTER W/ILLS. 7,10,11 AND 12
3	1532		4	HEX CAP SCREW, 1/4 - 20 X 1
4	F8060		4	INTERNAL TOOTH LOCKWASHER
7	F433209-1		2	STUD, CARBURETOR
9	F521906		1	GASKET, CARBURETOR (INCLUDED IN G 1022)
10	F31160-1		1	REED
11	F424161		1	REED STOP
12	F1755		2	ROUND HD SCREW W/LOCKWASHER, 6-32 X 5/16
13	F521550		1	KNOB, FUEL SHUT-OFF
14	F521489		1	VALVE, FURL SHUT-OFF
15	F10071		1	SCREW
16	F10060		1	THROTTLE
17	F521061-6		1	CARBURETOR - COMPLETE
18	F10075		1	SPRING, THROTTLE RETURN
19	F10059		1	THROTTLE SHAFT
20	F10061		1	CHOKE SHAFT
21	F10072		1	SPRING, CHOKE STOP
22	F10073		1	SPRING, IDLE ADJUSTMENT NEEDLE
23	F10077		1	NEEDLE, IDLE
24	F10062		1	CHOKE VALVE
25	F10070		2	SCREW, CHOKE VALVE
26	F1490		2	HEX NUT, M 1/4 - 20
27	F10065		1	NOZZLE
28	F10066		1	GASKET, VALVE SEAT
29	F10100		1	VALVE, SEAT AND GASKET ASSEMBLY W/ILLUS. 35
30	F10063		1	FLOAT
31	F10064		1	FLOAT PIN
32	F10068		1	GASKET, FUEL BOWL
33	F10090		2	GASKET, BOWL RETAINER
34	F10058		1	FUEL BOWL
35	F10084		1	SPRING, FLOAT SUPPORT
36	F10096		1	JET ASSEMBLY (.039) STD. SEA LEVEL - 3000 FT.
-	F10093		0	JET ASSEMBLY (.038) OPT. 3000 FT. - 5000 FT.
-	F10086		0	JET ASSEMBLY (.037) OPT. 5000 FT. - 7000 FT.
-	F10094		0	JET ASSEMBLY (.036) OPT. 7000 FT. AND U. OPTIONAL SIZE MAIN
41	F2008		2	HEX CAP SCREW, 1/4 - 20 X 7/8
42	F521708		1	CARBURETOR COVER

CONTINUED ON NEXT PAGE ➡

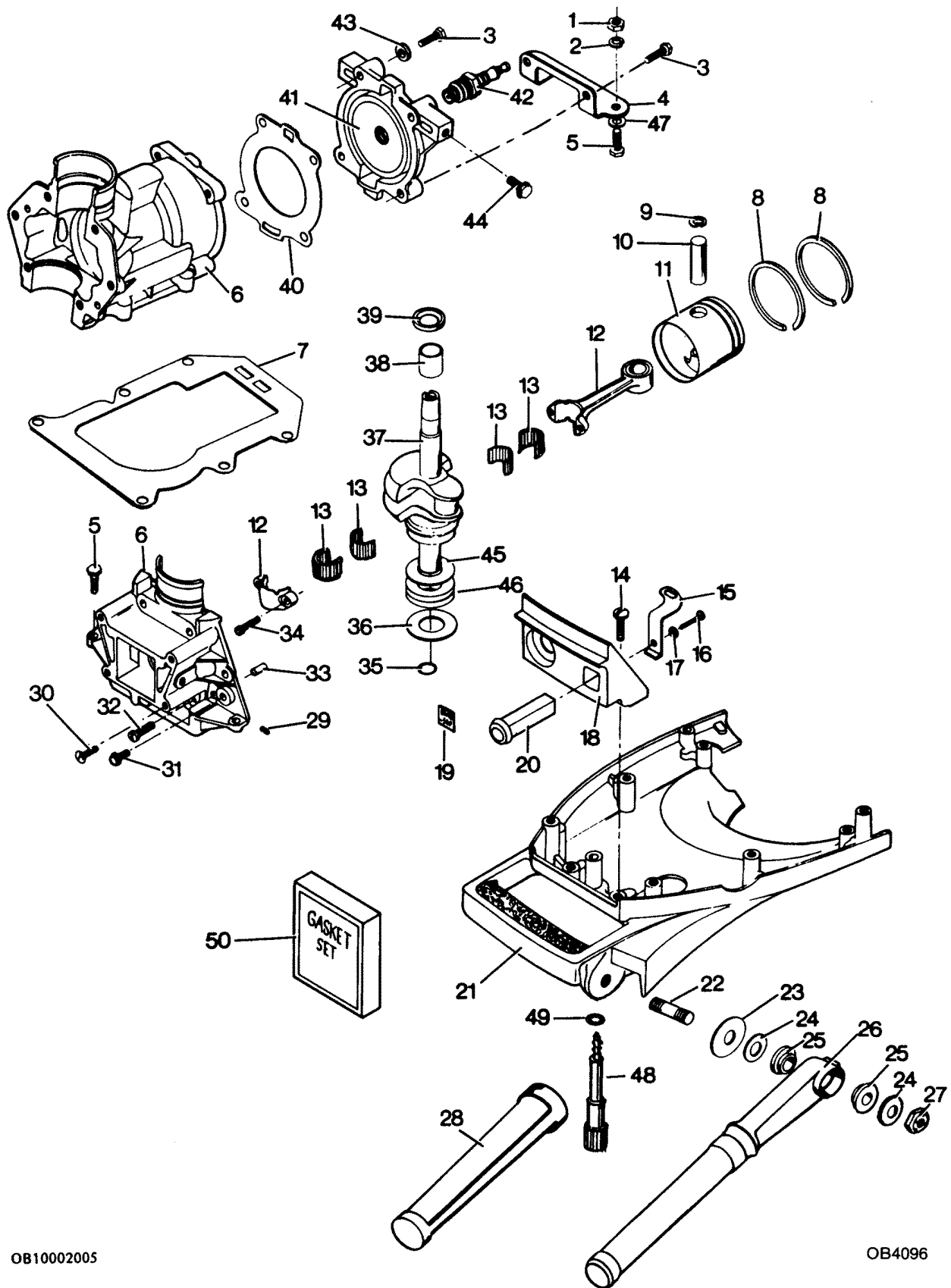
CARBURETOR & REED PLATE



CARBURETOR & REED PLATE

REF. NO.	PART NO.	SYM.	QTY.	DESCRIPTION
43	F1064		2	FILL HD SCREW, 8 - 32 - X 3/8
44	F8078		2	LOCKWASHER, INTERNAL TOOTH
45	F10098		1	REPAIR KIT.
46	F10069		1	GASKET SET.
-	F10116		0	BODY CHANNEL PLUG KIT (NOT SHOWN)

POWER HEAD & SUPPORT PLATE



OB10002005

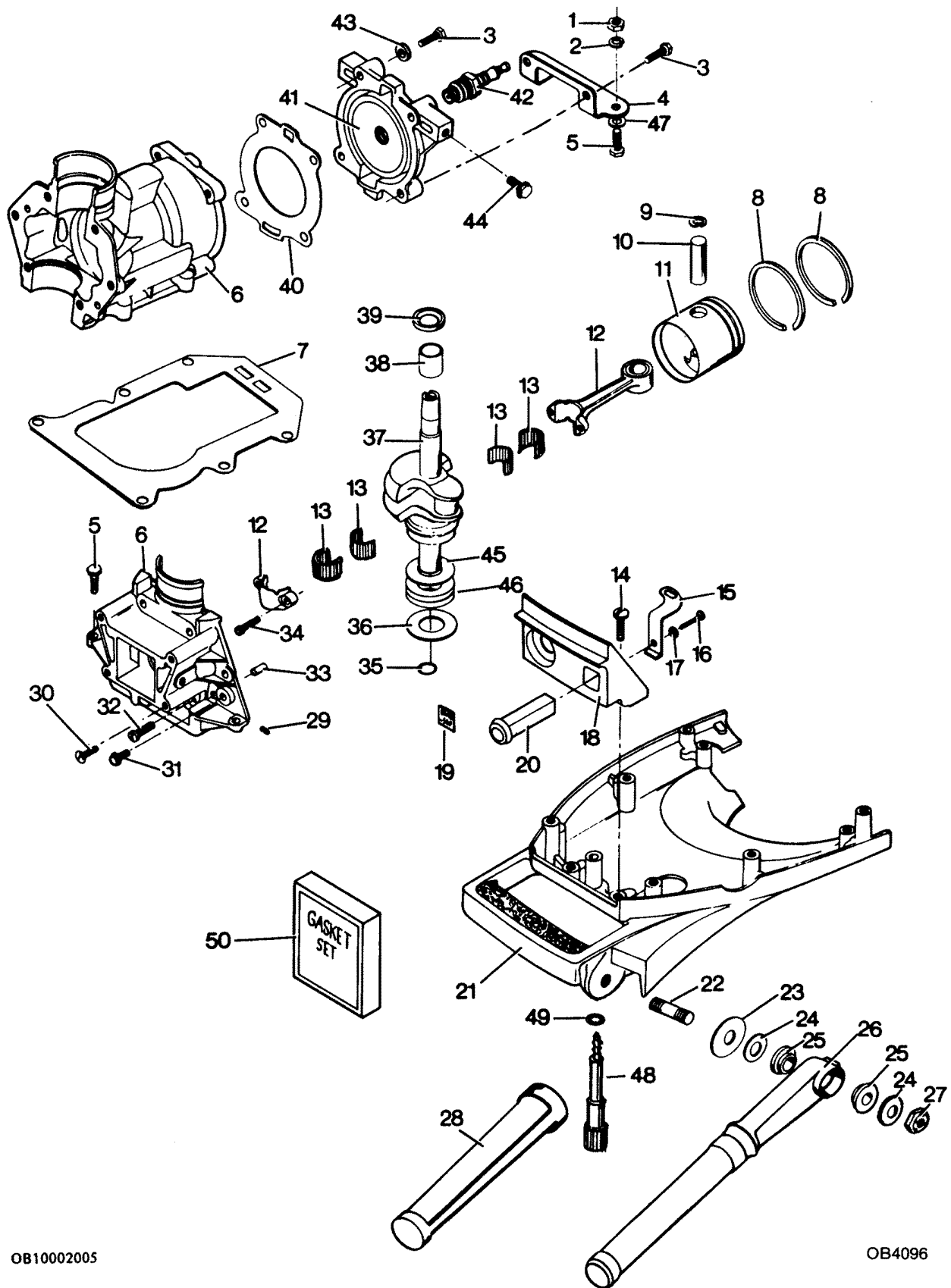
OB4096

POWER HEAD & SUPPORT PLATE

REF. NO.	PART NO.	SYM.	QTY.	DESCRIPTION
1	F1341		2	HEX NUT
2	F8083		2	SPRING LOCKWASHER
3	F901938-1		4	SCREW, CYLINDER HEAD
4	F521774		1	BRACKET, ENGINE COVER LOWER MOUNTING
5	1705		4	HEX HD CAPM SCREW, 1/4-20X3/4
6	FA521010		1	CYLINDER W/CRANKCASE COVER, AND ILLUS. 29,30 AND 33
-	FC521010		1	LSHORT BLOCK (NOT SHOWN).
7	F521279		1	GASKET, CYLINDER EXHAUST
8	F1A26260		1	PISTON RING SET (2 RINGS)
9	F250410		2	PISTON PIN RETAINING RING
10	F250017		1	POSTON PIN
11	F521015-1		1	PISTON
12	2A521016		1	CONNECTING ROD W/BEARING AND ILLUS. 34
13	FA567241		1	CRANKPIN ROLLER & CAGE SET
14	F1493		2	PAN HD SCREW, 1/4-20X5/8
15	F521925		1	LINK, CHOKE KNOB
16	F2041		1	HEX HD M. SCREW, 10-24X3/8
17	F1975		1	SPRING, LOCKWASHER
18	F535163		1	COVER, SUPPORT PLATE
19	F521248		1	DECAL, CHOKE
20	F521547		1	CHOKE KNOB
21	F271038		1	SUPPORT PLATE
22	F521004		1	STUD
23	F286286-1		1	WASHER, NYLON
24	F8015		2	PLAIN WASHER
25	F521319		2	BUSHING, STEERING HANDLE
26	F521079		1	STEERING HANDLE
27	F1756		1	STOP NUT
28	F390137		1	GRIP, STEERING HANDLE
29	F1789		1	PIPE PLUG
30	F1107		2	FILL HD M. SCREW, 1/4-20X3/4
31	F2040		1	HEX WASHER HD TAPTITE SCREW, 1/4-20X5/8
32	F1504		4	SLOTTED FILL HD SCREW, 1/4-20X1/4
33	F8559		2	DOWEL PIN
34	36634		2	SCREW, CONNECTING ROD
35	F521579		1	SEAL, CRANKSHAFT SPLINE
36	F521118-1		1	SEAL, CRANKSHAFT LOWER
37	2A527018		1	CRANKSHAFT W/ILLUS. 45 AND 46
38	F521013		1	BEARING, CRANKSHAFT UPPER
39	F521146		1	SEAL, CRANKSHAFT UPPER
40	F521529		1	GASKET, CYLINDER HEAD
41	F521518		1	CYLINDER HEAD
42	FS521227		1	SPARK PLUG (L-86)(USA)

CONTINUED ON NEXT PAGE ➡

POWER HEAD & SUPPORT PLATE



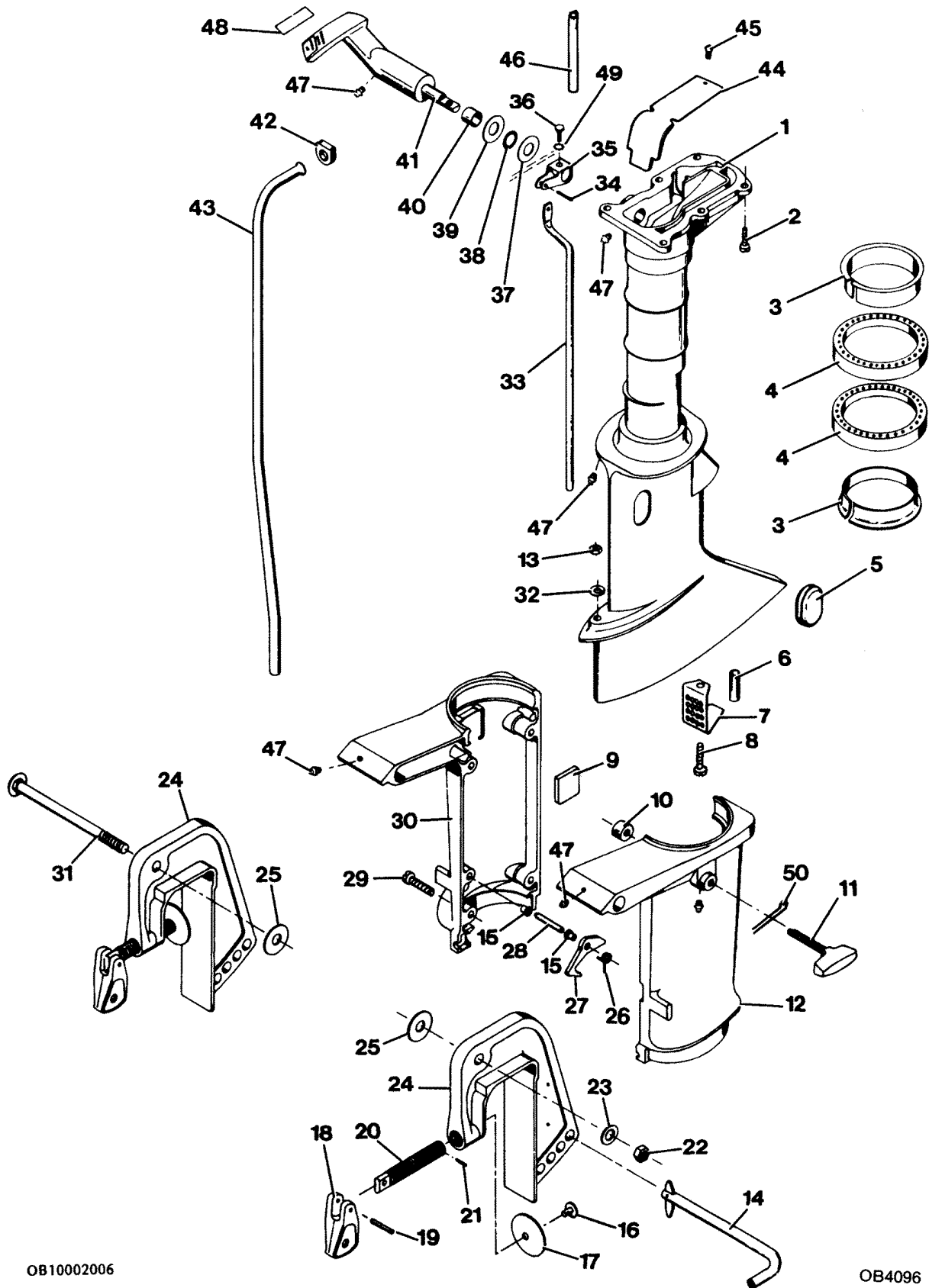
OB10002005

OB4096

POWER HEAD & SUPPORT PLATE

REF. NO.	PART NO.	SYM.	QTY.	DESCRIPTION
-			1	SPARK PLUG (RL-86)CANADA ONLY (ORDER LOCALLY)
43	F8028		2	PLAIN WASHER
44	F1426		2	HEX HD SCREW W/LOCKWASHER, 1/4-20X7/16
45	F521270		1	SLINGER
46	F521910		1	BEARING, CRANKSHAFT LOWER
47	F8008		2	PLAIN WASHER
48	F341284-1		1	KNOB,ENGINE COVER RETAINER
49	F9102		1	R3ETAINING RING
50	F1022		1	GASKET SET. INCLUDES ITEMS LISTED BELOW.
-	F521168		1	CARBURETOR ADAPTER GASKET
-	F521279		1	CYLINDER EXHAUST GASKET
-	F521529		1	CYLINDER HEAD GASKET
-	F521906		1	CARBURETOR GASKET

MOTOR LEG



OB10002006

OB4096

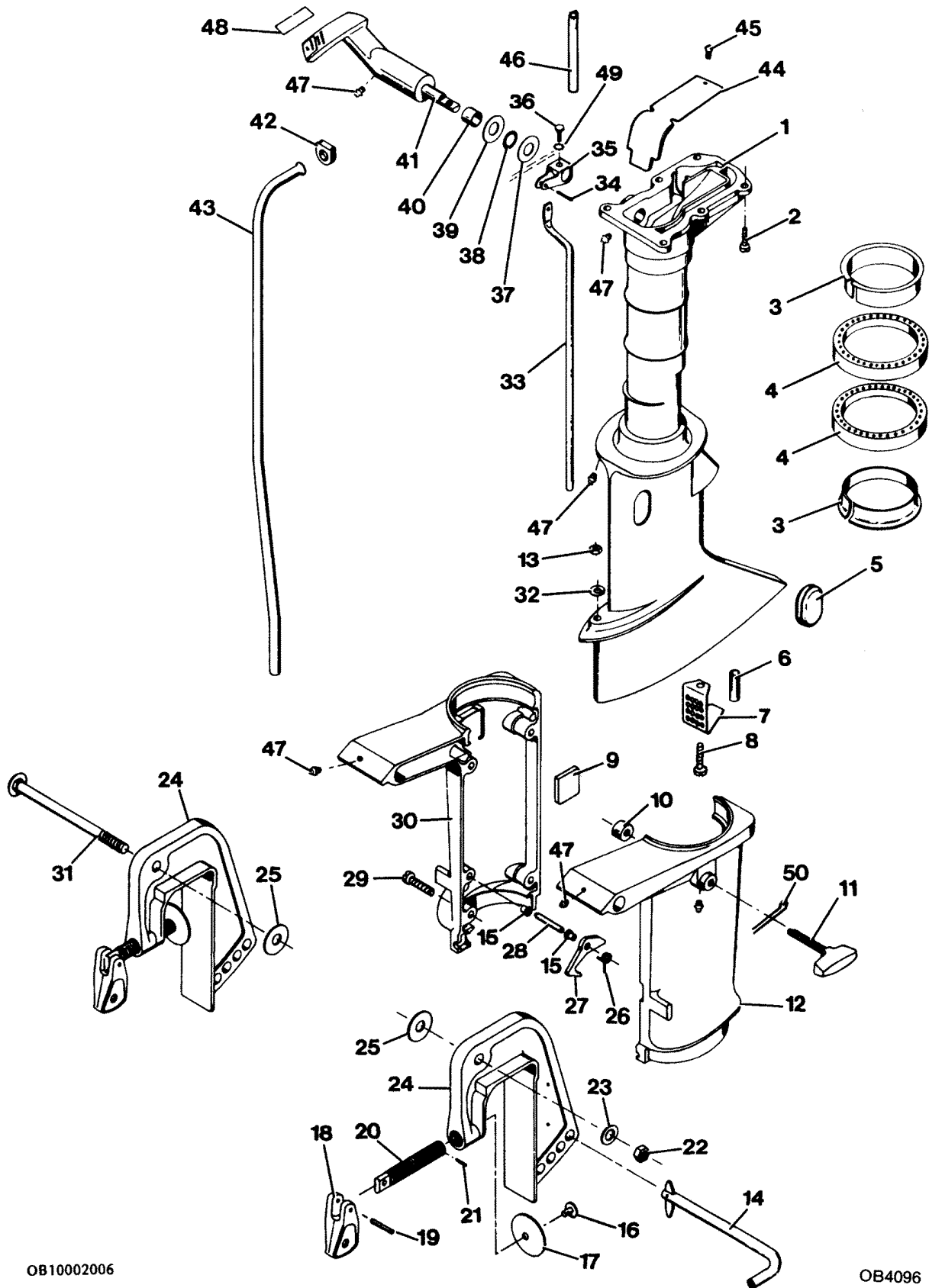
11

MOTOR LEG

REF. NO.	PART NO.	SYM.	QTY.	DESCRIPTION
1	FK341133		1	MOTOR LEG W/ITEMS 40,44,45,46 AND 47
2	1864		6	HEX HD SCREW, 1/4-20X3/4
3	F468169		2	BEARING, SWIVEL BRACKET
4	F468346		2	SHOCK MOUNT W/LITERATURE
5	F46899-1		1	COVER, SHIFT COUPLING
6	F521727		1	SLEEVE, IDLE BAFFLE
7	F521779		1	BAFFLE, IDLE RELIEF
8	F1747		1	FILL HD SCREW, 10-24X1-11/16
9	F521661-1		1	PAD, SWIVEL FRICTION
10	F521631		1	SHOE, SWIVEL FRICTION
11	F521514		1	KNOB, STEERING FRICTION W/SCREW
12	F521072-3		1	SWIVEL BRACKET - PORT W/ILLUS. 15 & 47
13	F1341		1	HEX NUT
14	FA459113		1	LOCK BAR ASSEMBLY
15	F197813		2	BEARING
16	F66480		2	STUD
17	F24074		2	CLAMP SCREW FOOT
18	F298075		2	HANDLE, CLAMP SCREW
19	F8554		2	SPRING PIN
20	F298073-2		2	CLAMP SCREW W/ILLUS. 16, 17 AND 21
21	F8537		2	SPRING PIN
22	7026		1	STOP NUT
23	2014		1	PLAIN WASHER
24	A468572-3		2	STERN BRACHET W/ILLUS. 20
25	2037		2	PLAIN WASHER
26	F468300-1		1	SPRING, REVERSE LOCK
27	F468349		1	REVERSE LOCK
28	F468350		1	PIN, REVERSE LOCK
29	2035		4	PHILLIPS FILL HD SCREW, 1/4-20X1
30	468572-3		1	SWIVEL BRACKET - STARBOARD W/ILLUS. 9 AND 47
31	F468037-1		1	PIVOT BOLT
32	F8083		1	SPRING LOCKWASHER
33	F521615		1	ROD, GEAR SHIFT UPPER
34	F1406		1	COTTER PIN
35	F521621		1	LEVER, GEAR SHIFT
36	F2041		1	HEX M. SCREW, 10-24X3/8
37	2014		1	PLAIN WASHER
38	F19342		1	SEAL, SHIFT LEVER SHAFT
39	F521415		1	WASHER, GEAR SHIFT HANDLE
40	F341610		1	BEARING, GEAR SHIFT SHAFT
41	F521614-1		1	HANDLE, GEAR SHIFT W/SHAFT
42	F521342-1		1	SEAL, WATER LINE
43	F521244-1		1	WATER LINE, STANDARD LEG

CONTINUED ON NEXT PAGE ➡

MOTOR LEG



OB10002006

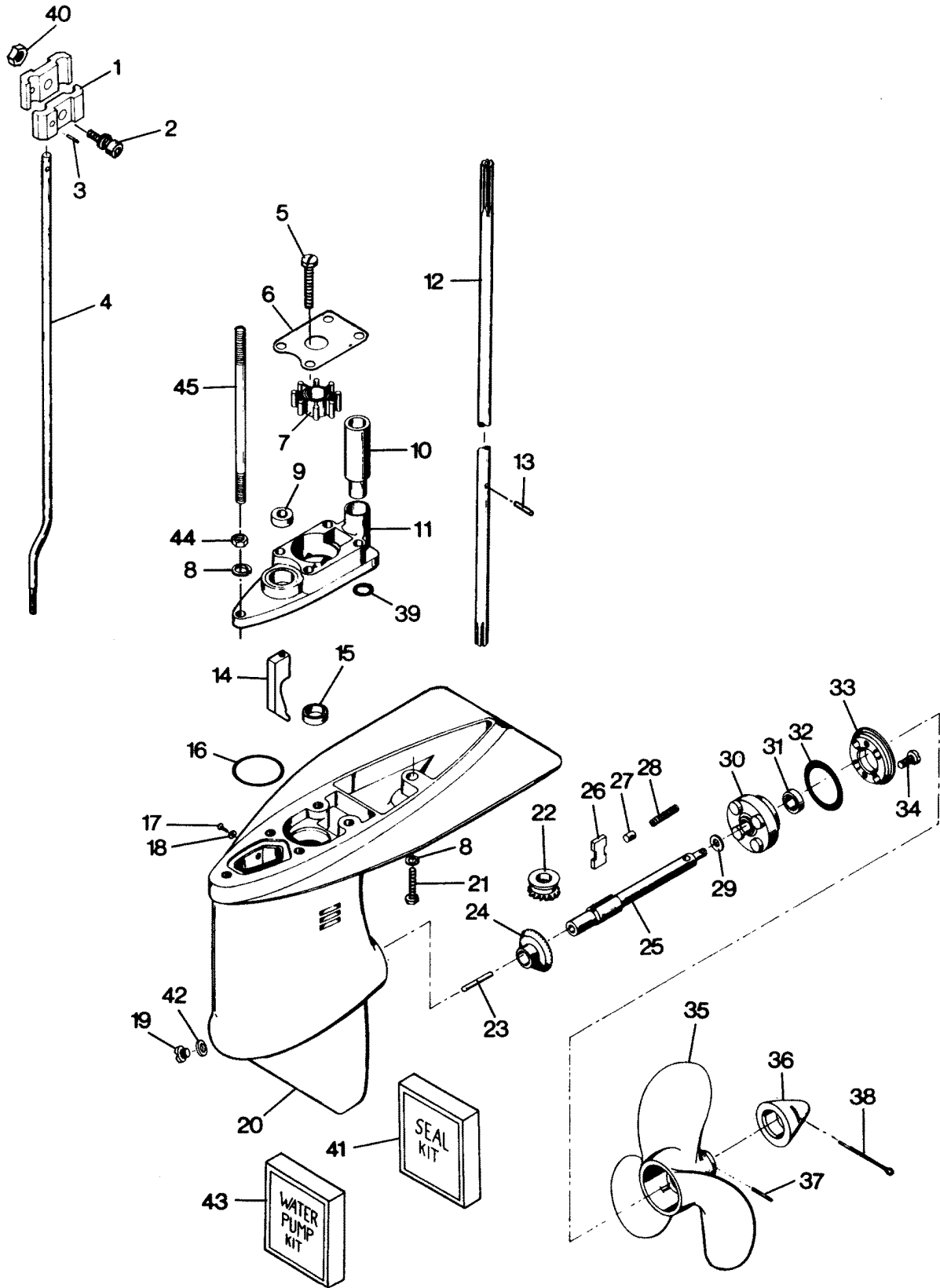
OB4096

11

MOTOR LEG

REF. NO.	PART NO.	SYM.	QTY.	DESCRIPTION
44	FA341151		1	PLATE, EXHAUST W/ILLUS. 45
45	F1645		3	RD HD. THD. CUTTING, 6-32X1/4
46	F521261		1	LINE, WATER OUTLET
47	F213274		6	FITTING, GREASE
48	FC521400		1	DECAL, GEAR SHIFT HANDLE (CANADA)
49	F1975		1	LOCKWASHER, #10
50	F1014		1	COTTER PIN

GEAR HOUSING



OB10002007

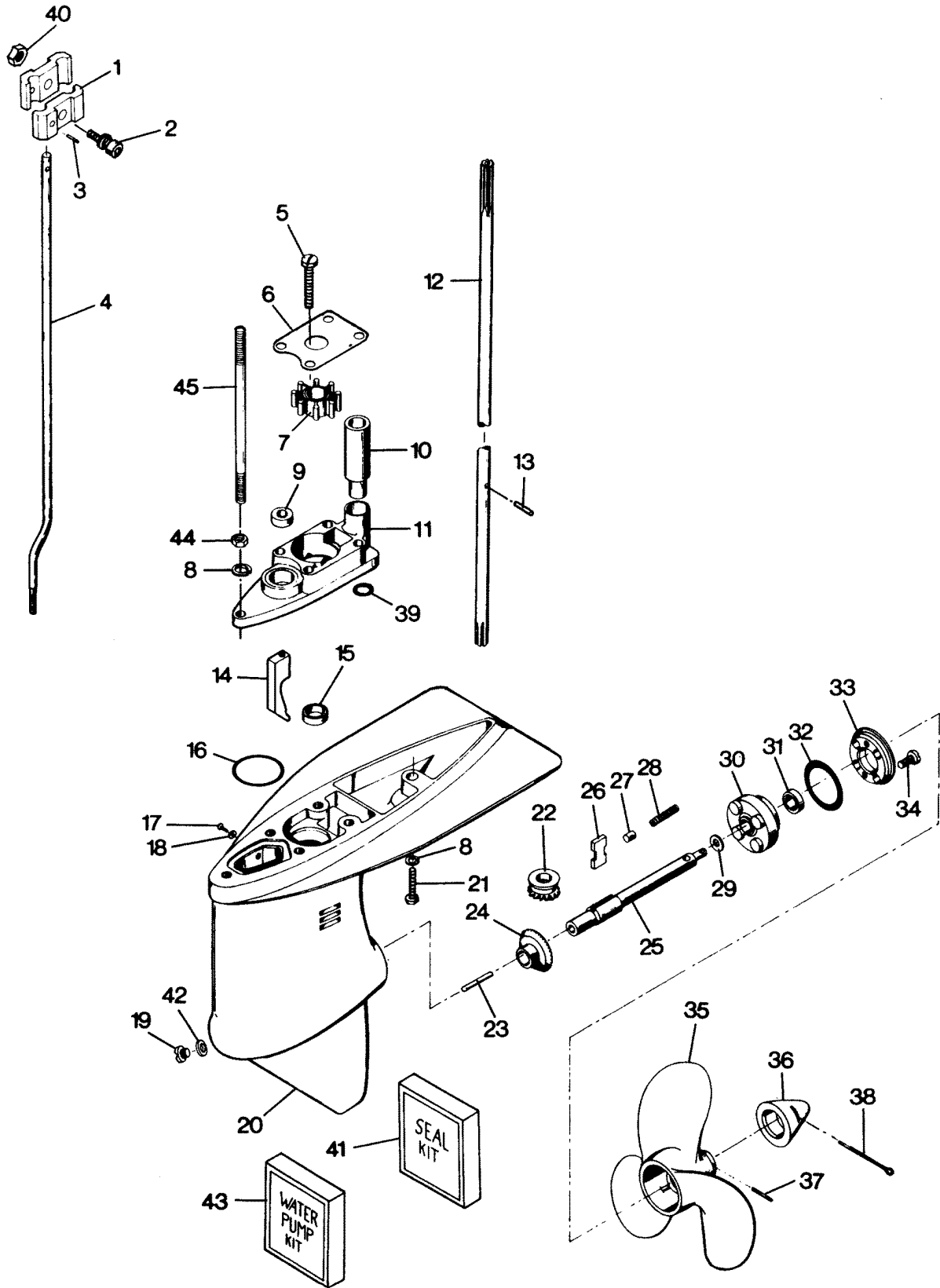
OB4096

GEAR HOUSING

REF. NO.	PART NO.	SYM.	QTY.	DESCRIPTION
1	F341704		1	COUPLING, GEAR SHIFT ROD F W/ILLUS. 2 & 40 AND LITERATURE
2	F1371		1	SOCKET HD SCREW W/LOCKWASHER, 10-24X5/8
3	8538		1	SPRING PIN
4	F521705		1	ROD, GEAR SHIFT LOWER
5	F1504		4	FILL HD SCREW, 1/4-20X1-1/4
6	F521537		1	PLATE, WATER PUMP
7	F521065		1	IMPELLER
8	F8083		2	SPRING LOCKWASHER
9	F338618-1		1	**SEAL, SHIFT ROD
10	F521735		1	SEAL, WATER LINE W/LITERATURE
11	A521060-2		1	WATER PUMP BODY W/PLUG ILLUS. 39
12	F521128		1	DRIVESHAFT
13	F390563		1	PIN, WATER PUMP IMPELLER DRIVE
14	F521721		1	CAM, CLUTCH SHIFT
15	F318307		1	**SEAL, DRIVESHAFT
16	F521783		1	SEAL
17	F1077		1	FILL HD SCREW, 10-24X1/4
18	F8074		1	WASHER
19	F50109		1	PLUG, GEAR HOUSING
20	F2A521054		1	GEAR HOUSING W/ILLUS. 15, 17, 18, 19 AND 42.
-	FC341054		1	GEAR HOUSING COMPLETE. INCLUDES ALL ITEMS MARKED WITH AN AST
21	F1199		1	HEX CAP SCREW, 1/4-20X1
22	F521266		1	BEVEL PINION GEAR
23	F521728		1	CLUTCH SHIFT PIN
24	F521023		1	BEVEL GEAR W/BEARING
25	F409098		1	PROPELLER SHAFT
26	F409521		1	CLUTCH
27	F318372		1	PIN, CLUTCH GUIDE
28	F409719		1	CLUTCH SPRING
29	F521099		1	SPACER
30	FA341298		1	BEARING CAGE W/BEARING AND ILLUS. 31
31	F521307		1	SEAL, PROPELLER
32	F521305		1	"O" RING
33	F521296		1	RETAINER, PROPELLER SHAFT BEARING CAGE
34	F525457		4	FILL HD SCREW, 1/4-20X5/8
35	FP332		1	PROPELLER
36	F286094-1		1	PROPELLER NUT W/ILLUS. 38
37	F324101		1	PROPELLER PIN, PACK OF 3 AND ILLUS. 38
38	F1846		1	COTTER PIN
39	F521246-1		1	PLUG, WATER PUMP
40	7009		1	LOCK NUT, 10-24
41	1057		1	GEAR HOUSING SEAL KIT.

CONTINUED ON NEXT PAGE ➡

GEAR HOUSING



OB10002007

OB4096

GEAR HOUSING

REF. NO.	PART NO.	SYM.	QTY.	DESCRIPTION
42	F8077		1	WASHER
43	FK1072		1	WATER PUMP KIT. (INCLUDES ITEMS LISTED BELOW)
-	F521735		1	WATERLINE SEAL
-	A521060-2		1	BODY, WATER PUMP
-	F521537		1	PLATE, WATER PUMP TOP
-	F521065		1	IMPELLER, WATER PUMP
-	F338618-1		1	SEAL
-	F1504		4	FILL H.M.S. 1/4-20X1-1/4
44	F1341		1	HEX STUD
45	F601006		1	STUD

PARTS INDEX

Part Number	Description	Pg.	Ref. No.	Part Number	Description	Pg.	Ref. No.
1057	GEAR HOUSING SEAL KIT. . .	21	41	F10077	NEEDLE, IDLE	9	23
12066	FRICTION SCREW	7	18	F10084	SPRING, FLOAT SUPPORT .	9	35
12362	STATOR PLATE W/CORE . .	7	9	F10086	JET ASSEMBLY (.037) OPT.		
1473	HEX NUT	3	30		5000 FT. - 7000 FT.	9	-
1532	HEX CAP SCREW, 1/4 - 20 X			F10090	GASKET, BOWL RETAINER	9	33
	1	9	3	F10093	JET ASSEMBLY (.038) OPT.		
1655	HEX HD SCREW W/SPRING				3000 FT. - 5000 FT.	9	-
	LOCKWASHER, 1/4 - 20 X			F10094	JET ASSEMBLY (.036) OPT.		
	3/8	7	15		7000 FT. AND U.		
1705	HEX HD CAPM SCREW, 1/4-			F10096	OPTIONAL SIZE MAIN . . .	9	-
	20X3/4	13	5		JET ASSEMBLY (.039) STD.		
1829	FILL HD M. SCREW, 10 - 24				SEA LEVEL - 3000 FT. . . .	9	36
	X 7/8	3	9	F10098	REPAIR KIT.	11	45
1864	HEX HD SCREW, 1/4-20X3/4	17	2	F10100	VALVE, SEAT AND GASKET		
1995	SLOTTED FILL HD SCREW,				ASSEMBLY W/ILLUS. 35 .	9	29
	10 - 24 X 1	3	7	F10116	BODY CHANNEL PLUG KIT		
2014	PLAIN WASHER	17	23		(NOT SHOWN)	11	-
2014	PLAIN WASHER	17	37	F1014	COTTER PIN	19	50
2035	PHILLIPS FILL HD SCREW,			F1022	GASKET SET. INCLUDES		
	1/4-20X1	17	29		ITEMS LISTED BELOW. . .	15	50
2037	PLAIN WASHER	17	25	F1035	SLOTTED FILL HD SCREW,		
2145	SCREW	5	12		1/4 - 20 X 5/8	3	10
2A521016	CONNECTING ROD			F1058	TUNE UP KIT.	7	28
	W/BEARING AND ILLUS.			F1064	FILL HD SCREW, 8 - 32 - X		
	34	13	12		3/8	11	43
2A527018	CRANKSHAFT W/ILLUS. 45			F1077	FILL HD SCREW, 10-24X1/4	21	17
	AND 46	13	37	F1107	FILL HD M. SCREW, 1/4-		
36634	SCREW, CONNECTING ROD	13	34		20X3/4	13	30
468572-3	SWIVEL BRACKET -			F1199	HEX CAP SCREW, 1/4-20X1	21	21
	STARBOARD W/ILLUS. 9			F12090	MOUNTING SCREW	7	5
	AND 47	17	30	F12350	WEDGE SPRING	7	10
7009	LOCK NUT, 10-24	21	40	F12357	CONDENSER W/CLAMP . . .	7	6
7011	HEX NUT	3	21	F12359	CONTACT SET	7	7
7026	STOP NUT	17	22	F12360	FELT CAM	7	8
8538	SPRING PIN	21	3	F12361	LEAD WIRE AND GROMMET		
A468572-3	STERN BRACKET W/ILLUS.				PACKAGE	7	13
	20	17	24	F12369	COIL W/LEAD WIRE AND		
A521060-2	BODY, WATER PUMP	23	-		ILLUS. 10 & 12	7	11
A521060-2	WATER PUMP BODY			F1341	HEX NUT	5	1
	W/PLUG ILLUS. 39	21	11	F1341	HEX NUT	13	1
A521063-3	STARTER - COMPLETE			F1341	HEX NUT	17	13
	W/ILLUS. 2 THRU 5 AND 8			F1341	HEX NUT (SEE PAGE 4,		
	THRU 12	5	-		ILLUS. 1 - STARTER)	3	17
F10058	FUEL BOWL	9	34	F1341	HEX STUD	23	44
F10059	THROTTLE SHAFT	9	19	F1371	SOCKET HD SCREW		
F10060	THROTTLE	9	16		W/LOCKWASHER, 10-		
F10061	CHOKE SHAFT	9	20		24X5/8	21	2
F10062	CHOKE VALVE	9	24	F1406	COTTER PIN	17	34
F10063	FLOAT	9	30	F1426	HEX HD SCREW		
F10064	FLOAT PIN	9	31		W/LOCKWASHER, 1/4-		
F10065	NOZZLE	9	27		20X7/16	15	44
F10066	GASKET, VALVE SEAT	9	28	F1490	HEX NUT, M 1/4 - 20	9	26
F10068	GASKET, FUEL BOWL	9	32	F1493	PAN HD SCREW, 1/4-20X5/8	13	14
F10069	GASKET SET.	11	46	F1504	FILL H.M.S. 1/4-20X1-1/4 . . .	23	-
F10070	SCREW, CHOKE VALVE . . .	9	25	F1504	FILL HD SCREW, 1/4-20X1-		
F10071	SCREW	9	15		1/4	21	5
F10072	SPRING, CHOKE STOP	9	21	F1504	SLOTTED FILL HD SCREW,		
F10073	SPRING, IDLE ADJUSTMENT				1/4-20X1/4	13	32
	NEEDLE	9	22	F1645	RD HD. THD. CUTTING, 6-		
					32X1/4	19	45

PARTS INDEX

Part Number	Description	Pg.	Ref. No.	Part Number	Description	Pg.	Ref. No.
F1734	SLOTTED FILL HD SCREW, W/1/4 - 20 X 1/2	7	27	F390137	GRIP, STEERING HANDLE	13	28
F1747	FILL HD SCREW, 10-24X1- 11/16	17	8	F390563	PIN, WATER PUMP IMPELLER DRIVE	21	13
F1755	ROUND HD SCREW W/LOCKWASHER	7	20	F409098	PROPELLER SHAFT	21	25
F1755	ROUND HD SCREW W/LOCKWASHER, 6-32 X 5/16	9	12	F409521	CLUTCH	21	26
F1756	STOP NUT	13	27	F409719	CLUTCH SPRING	21	28
F1789	PIPE PLUG	13	29	F424161	REED STOP	9	11
F17938	ANCHOR	3	5	F427249	RETAINING RING	3	4
F17980	FUEL CAP GASKET	3	3	F433209-1	STUD, CARBURETOR	9	7
F1846	COTTER PIN	21	38	F436280	NUT, SHORTING SWITCH	7	29
F19342	SEAL, SHIFT LEVER SHAFT	17	38	F436449	SHORTING SWITCH W/ILLUS. 29	7	19
F1975	LOCKWASHER, #10	19	49	F459186	COLLAR, FUEL TANK	3	1
F1975	SPRING, LOCKWASHER	13	17	F468037-1	PIVOT BOLT	17	31
F197813	BEARING	17	15	F468169	BEARING, SWIVEL BRACKET	17	3
F1979	PAN HD SCREW, 10 - 24 X 1/2	3	23	F468300-1	SPRING, REVERSE LOCK	17	26
F1A26260	PISTON RING SET (2 RINGS)	13	8	F468346	SHOCK MOUNT W/LITERATURE	17	4
F2008	HEX CAP SCREW, 1/4 - 20 X 7/8	9	41	F468349	REVERSE LOCK	17	27
F2040	HEX WASHER HD TAPTITE SCREW, 1/4-20X5/8	13	31	F468350	PIN, REVERSE LOCK	17	28
F2041	HEX HD M. SCREW, 10- 24X3/8	13	16	F46899-1	COVER, SHIFT COUPLING	17	5
F2041	HEX M. SCREW, 10-24X3/8	17	36	F50109	PLUG, GEAR HOUSING	21	19
F2042	PLAIN WASHER, #10 NARROW	3	29	F521002	CAM	7	4
F213274	FITTING, GREASE	19	47	F521003	SPRING	5	8
F24074	CLAMP SCREW FOOT	17	17	F521004	STUD	13	22
F250017	POSTON PIN	13	10	F521013	BEARING, CRANKSHAFT UPPER	13	38
F250410	PISTON PIN RETAINING RING	13	9	F521015-1	PISTON	13	11
F2706772	HOSE CLAMP	3	13	F521023	BEVEL GEAR W/BEARING	21	24
F271038	SUPPORT PLATE	13	21	F521034-1	FUEL TANK	3	15
F286094-1	PROPELLER NUT W/ILLUS. 38	21	36	F521061-6	CARBURETOR - COMPLETE	9	17
F286286-1	WASHER, NYLON	13	23	F521065	IMPELLER	21	7
F298073-2	CLAMP SCREW W/ILLUS. 16, 17 AND 21	17	20	F521065	IMPELLER, WATER PUMP	23	-
F298075	HANDLE, CLAMP SCREW	17	18	F521072-3	SWIVEL BRACKET - PORT W/ILLUS. 15 & 47	17	12
F2A332167	CARBURETOR ADAPTER W/ILLS. 7,10,11 AND 12	9	2	F521079	STEERING HANDLE	13	26
F2A521054	GEAR HOUSING W/ILLUS. 15, 17, 18, 19 AND 42.	21	20	F521099	SPACER	21	29
F31160-1	REED	9	10	F521118-1	SEAL, CRANKSHAFT LOWER	13	36
F318307	**SEAL, DRIVESHAFT	21	15	F521128	DRIVESHAFT	21	12
F318372	PIN, CLUTCH GUIDE	21	27	F521146	SEAL, CRANKSHAFT UPPER	13	39
F324101	PROPELLER PIN, PACK OF 3 AND ILLUS. 38	21	37	F521168	CARBURETOR ADAPTER GASKET	15	-
F338618-1	**SEAL, SHIFT ROD	21	9	F521168	GASKET, CARBURETOR ADAPTER (INCLUDED IN G 1022)	9	1
F338618-1	SEAL	23	-	F521192	THROTTLE CAM	7	16
F341284-1	KNOB,ENGINE COVER RETAINER	15	48	F521199	SPRING, THROTTLE LEVER ADJUSTMENT	3	28
F341610	BEARING, GEAR SHIFT SHAFT	17	40	F521232	STARTER ROPE	5	5
				F521244-1	WATER LINE, STANDARD LEG	17	43
				F521246-1	PLUG, WATER PUMP	21	39
				F521248	DECAL, CHOKE	13	19
				F521251-3	GAS CAP COMPLETE. INCLUDES ILLUS. 3, 4 AND 5	3	2
				F521261	LINE, WATER OUTLET	19	46
				F521266	BEVEL PINION GEAR	21	22

PARTS INDEX

Part Number	Description	Pg.	Ref. No.	Part Number	Description	Pg.	Ref. No.
F521270	SLINGER	15	45	F521908	GROUND WIRE	7	17
F521279	CYLINDER EXHAUST GASKET	15	-	F521910	BEARING, CRANKSHAFT LOWER	15	46
F521279	GASKET, CYLINDER EXHAUST	13	7	F521925	LINK, CHOKE KNOB	13	15
F521284	KNOB, ENGINE COVER RETAINER	3	26	F521970	SPRING, REWIND	5	3
F521296	RETAINER, PROPELLER SHAFT BEARING CAGE	21	33	F521984	BLANKET, SILENCER TOP	3	31
F521305	"O" RING	21	32	F525457	FILL HD SCREW, 1/4-20X5/8	21	34
F521307	SEAL, PROPELLER	21	31	F535097	FLYWHEEL	7	2
F521319	BUSHING, STEERING HANDLE	13	25	F535163	COVER, SUPPORT PLATE	13	18
F521342-1	SEAL, WATER LINE	17	42	F535944	ENGINE COVER, BOTTOM	3	6
F521359	WASHER	5	9	F601006	STUD	23	45
F521391-2	DECAL, SPEED RANGE	3	11	F620132	HANDLE, STARTER ROPE	5	6
F521415	WASHER, GEAR SHIFT HANDLE	17	39	F620817	RETAINER	5	7
F521489	VALVE, FURL SHUT-OFF	9	14	F66480	STUD	17	16
F521498	KEY, FLYWHEEL	7	3	F665387	DECAL, LOGO	3	34
F521514	KNOB, STEERING FRICTION W/SCREW	17	11	F665396	DECAL, ENGINE COVER - STARBOARD	3	19
F521518	CYLINDER HEAD	13	41	F665397	DECAL, ENGINE COVER - PORT	3	19
F521529	CYLINDER HEAD GASKET	15	-	F665528	DECAL, COVER - REAR	3	32
F521529	GASKET, CYLINDER HEAD	13	40	F665712	ENGINE COVER COMPLETE.	3	24
F521537	PLATE, WATER PUMP	21	6	F665892	DECAL, ENGINE COVER - FRONT	3	33
F521537	PLATE, WATER PUMP TOP	23	-	F665894	DECAK "OFF" (CANADA)	3	-
F521547	CHOKE KNOB	13	20	F665894	DECAL, "OFF" (USA)	3	8
F521549-2	THROTTLE LEVER	7	14	F8008	PLAIN WASHER	3	25
F521550	KNOB, FUEL SHUT-OFF	9	13	F8008	PLAIN WASHER	15	47
F521552	SCREW, FLYWHEEL	7	1	F8015	PLAIN WASHER	13	24
F521579	SEAL, CRANKSHAFT SPLINE	13	35	F8028	PLAIN WASHER	15	43
F521614-1	HANDLE, GEAR SHIFT W/SHAFT	17	41	F8060	INTERNAL TOOTH LOCKWASHER	9	4
F521615	ROD, GEAR SHIFT UPPER	17	33	F8061	INTERNAL TOOTH LOCKWASHER	5	13
F521621	LEVER, GEAR SHIFT	17	35	F8061	INTERNAL TOOTH LOCKWASHER (SEE PAGE 4, ILLUS. 13 - STARTER)	3	16
F521631	SHOE, SWIVEL FRICTION	17	10	F8074	WASHER	21	18
F521661-1	PAD, SWIVEL FRICTION	17	9	F8077	WASHER	23	42
F521690-1	SCREW, THROTTLE LEVER ADJUSTMENT	3	27	F8078	LOCKWASHER, INTERNAL TOOTH	11	44
F521705	ROD, GEAR SHIFT LOWER	21	4	F8083	SPRING LOCKWASHER	13	2
F521708	CARBURETOR COVER	9	42	F8083	SPRING LOCKWASHER	17	32
F521721	CAM, CLUTCH SHIFT	21	14	F8083	SPRING LOCKWASHER	21	8
F521727	SLEEVE, IDLE BAFFLE	17	6	F8537	SPRING PIN	17	21
F521728	CLUTCH SHIFT PIN	21	23	F8554	SPRING PIN	17	19
F521735	SEAL, WATER LINE W/LITERATURE	21	10	F8559	DOWEL PIN	13	33
F521735	WATERLINE SEAL	23	-	F901754	HOSE W/ILLUS. 13	3	14
F521774	BRACKET, ENGINE COVER LOWER MOUNTING	13	4	F901938-1	SCREW, CYLINDER HEAD	13	3
F521775	FRICTION SHOE ASSEMBLY	5	11	F9102	R3ETAINING RING	15	49
F521778	RETAINER, ENGINE COVER FRONT W/ILLUS. 21 & 23	3	20	FA341151	PLATE, EXHAUST W/ILLUS. 45	19	44
F521779	BAFFLE, IDLE RELIEF	17	7	FA341298	BEARING CAGE W/BEARING AND ILLUS. 31	21	30
F521783	SEAL	21	16	FA459113	LOCK BAR ASSEMBLY	17	14
F521811	FITTING, GAS TANK	3	12	FA521010	CYLINDER W/CRANKCASE COVER, AND ILLUS. 29,30 AND 33	13	6
F521818	NYLINER	5	10	FA521239	ROTOR	5	4
F521906	CARBURETOR GASKET	15	-	FA521408	COVER	5	2
F521906	GASKET, CARBURETOR (INCLUDED IN G 1022)	9	9				

PARTS INDEX

Part Number	Description	Pg.	Ref. No.	Part Number	Description	Pg.	Ref. No.
FA567241	CRANKPIN ROLLER & CAGE SET	13	13				
FC341054	GEAR HOUSING COMPLETE. INCLUDES ALL ITEMS MARKED WITH AN AST	21	-				
FC521010	LSHORT BLOCK (NOT SHOWN).	13	-				
FC521400	DECAL, GEAR SHIFT HANDLE (CANADA)	19	48				
FK1072	WATER PUMP KIT. (INCLUDES ITEMS LISTED BELOW)	23	43				
FK1123	SPARKIE KIT	7	12				
FK341133	MOTOR LEG W/ITEMS 40,44,45,46 AND 47	17	1				
FK525713	PACKING, TOP COVER TRIM W/LITERATURE	3	18				
FP332	PROPELLER	21	35				
FS521227	SPARK PLUG (L-86)(USA) ..	13	42				
FS535712	ENGINE COVER TOP W/RETAINER & PACKING	3	24				