



# PARTS CATALOG

## FORCE 1987 85 HP "B" MODELS

### SERIAL NUMBER

85 H.P. (1987)	.....	.856F7B
85 H.P. (1987)	.....	.856X7B
85 H.P. (1987)	.....	.856Y7B
85 H.P. (1987)	.....	.858F7B
85 H.P. (1987)	.....	.858V7B
85 H.P. (1987)	.....	C856F7B

# TABLE OF CONTENTS:

ACCESSORIES .....	53
ADAPTER AND REED PLATE .....	12
CARBURETOR .....	18
CRANKSHAFT AND PISTON .....	26
ELECTRICAL COMPONENTS .....	6
ENGINE COVER AND SUPPORT PLATE .....	2
FUEL PUMP .....	16
FUEL TANK AND LINE .....	40
GEAR HOUSING .....	34
MOTOR LEG .....	28
PARTS BREAKDOWN TILT CYLINDER, TRIM CYLINDER, MOTOR & PUMP .....	46
PARTS INDEX .....	55
POWER TRIM UNIT .....	44
POWERHEAD .....	20
REMOTE CONTROL .....	42
SPECIAL TOOLS - GEAR HOUSING .....	50
SPECIAL TOOLS - LUBRICANTS AND SEALANTS .....	52
SPECIAL TOOLS - POWER HEAD .....	49
SPECIAL TOOLS - TEST EQUIPMENT .....	51
SPECIAL TOOLS - TUNE-UP .....	48
STARTER .....	10

**NOTE:** Indented description indicate that these parts are included in preceding assembly.

**AR** = As Required

**NSS** = Not Sold Separate

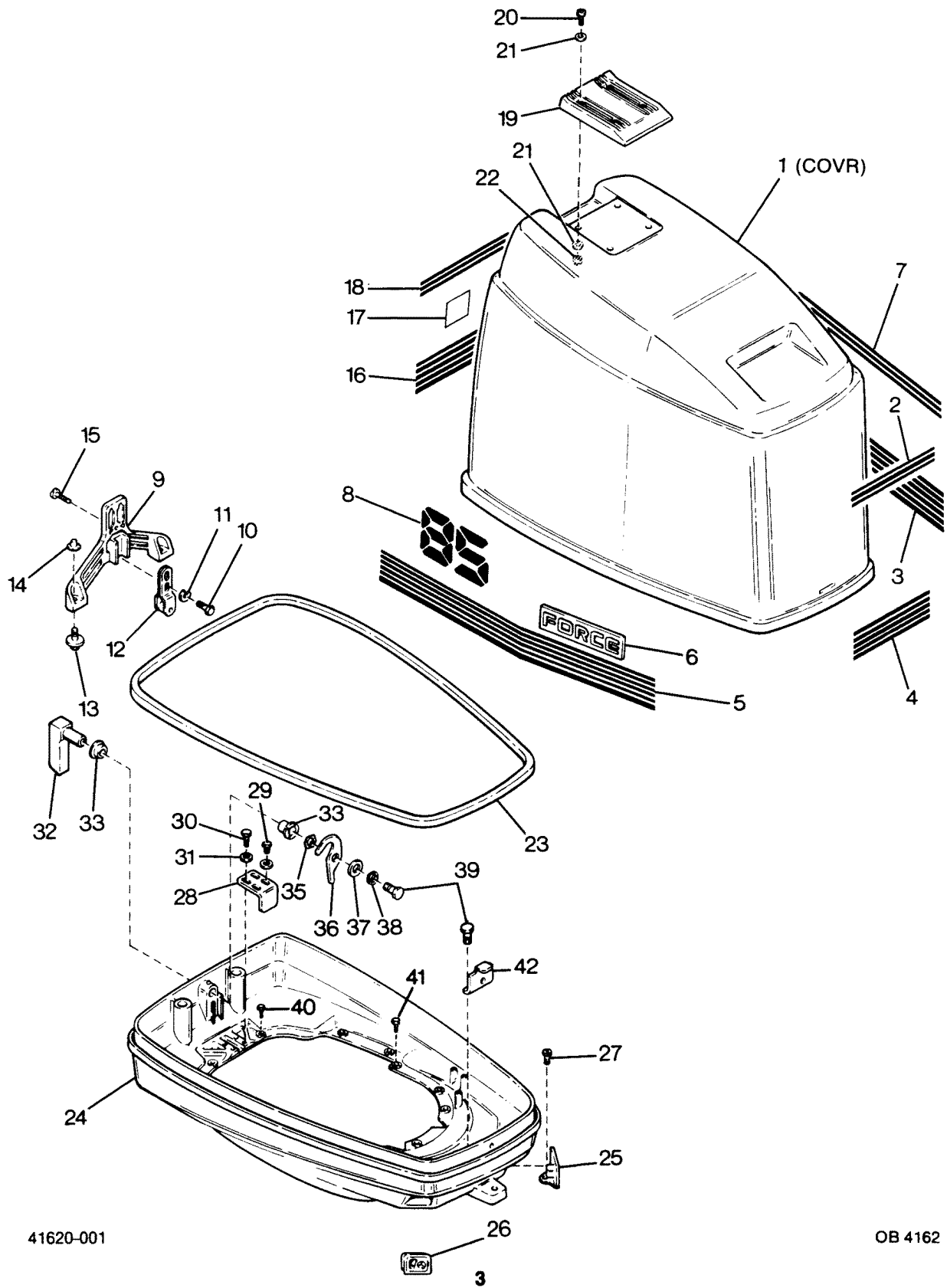
**OPT** = Optional

**NS** = Not Shown

**THESE PARTS BOOKS/FICHE CARD ARE COPYRIGHTED AND MAY NOT BE DISTRIBUTED OR REPRODUCED IN ANY OTHER FORMAT BY ANYONE OTHER THAN MERCURY MARINE WITHOUT THE PRIOR WRITTEN CONSENT OF MERCURY MARINE.**

THIS PAGE INTENTIONALLY LEFT BLANK

# ENGINE COVER AND SUPPORT PLATE

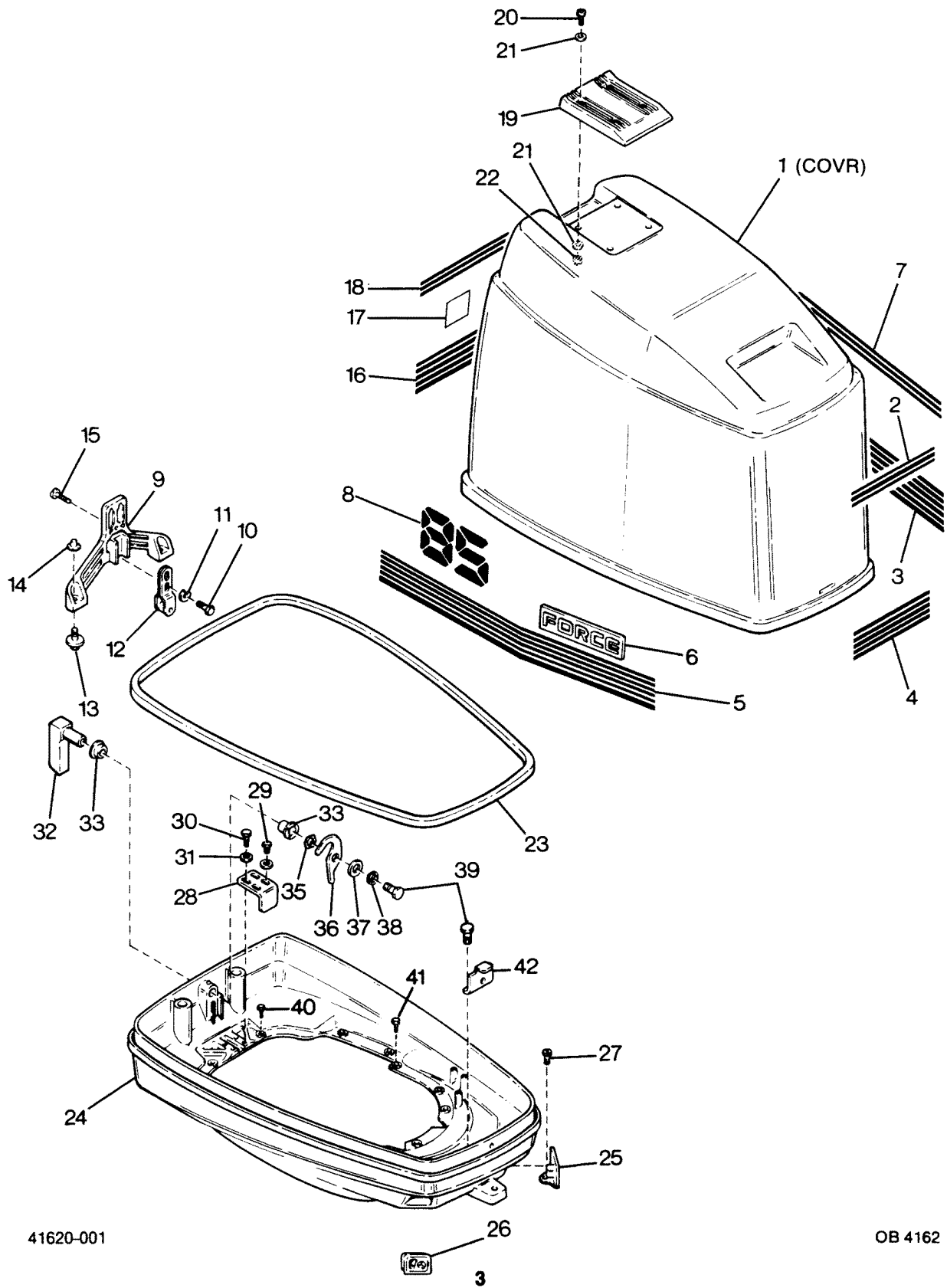


# ENGINE COVER AND SUPPORT PLATE

REF. NO.	PART NO.	SYM.	QTY.	DESCRIPTION
1	FS663712		1	ENGINE COVER, (WITH OUT PAINT, DECALS OR HARDWARE)
-	<b>F2C663712</b>		<b>1</b>	<b>ENGINE COVER, COMPLETE</b>
2	F663894		1	DECAL, TOP - FRONT
3	F663397		1	DECAL, BOTTOM - PORT
4	F663892		1	DECAL, BOTTOM - FRONT
5	F663396		1	DECAL, BOTTOM - STARBOARD
6	F663366		2	MEDALLION - FORCE
7	F663373		2	DECAL, TOP - SIDE
8	F663386		2	DECAL, NUMBER 85
9	F663774-1		1	BRACKET, ENGINE COVER LATCH
10	F1857		2	HEX CAP SCREW, 5/16 - 18 X 5/8
11	F8096		2	SPRING LOCKWASHER
12	FA481743		1	BRACKET, ROLLER LATCH W/ROLLER
13	F481434		2	GUIDE, ENGINE COVER
14	F2088		2	FASTENER
15	F1493		3	PAN HD. SCREW, 5/16 - 18 X 5/8 S.S.
16	F663528		1	DECAL, BOTTOM - REAR
17	F665387		1	DECAL, LOGO (US MARINE)
18	F663585		1	DECAL, TOP - REAR
19	F663269		1	HANDLE, TILT
20	F2143		4	HEX SOC. HD SCREW, 1/4 - 20 X 1 S.S.
21	F2012		8	WASHER
22	F7024		4	STOP NUT, 1/4 - 20
-	<b>F663984</b>		<b>1</b>	<b>BLANKET, TOP (NOT SHOWN)</b>
-	<b>F663985</b>		<b>2</b>	<b>BLANKET, SIDE (NOT SHOWN)</b>
23	F663756		1	PACKING
24	F663038		1	SUPPORT PLATE
25	F549189		1	BUSHING, ELECTRIC CABLE
26	F660189		1	BUSHING, CABLE ENTRY
27	F1733		3	PAN HD SCREW, 10 - 24 X 9/16
28	F335654-1		1	DEFLECTION STOP
29	F1858		2	HEX CAP SCREW, 5/16 - 18 X 1
30	F1857		2	HEX CAP SCREW, 5/16 - 18 X 5/8
31	F8096		4	SPRING LOCKWASHER
32	FA663469		1	ENGINE COVER LATCH HANDLE W/SHAFT
33	F286818		2	BEARING, LATCH SHAFT
35	F2047		1	WAVE WASHER
36	F481777		1	CAM, LATCH SHAFT
37	F8094		1	WASHER

CONTINUED ON NEXT PAGE ➡

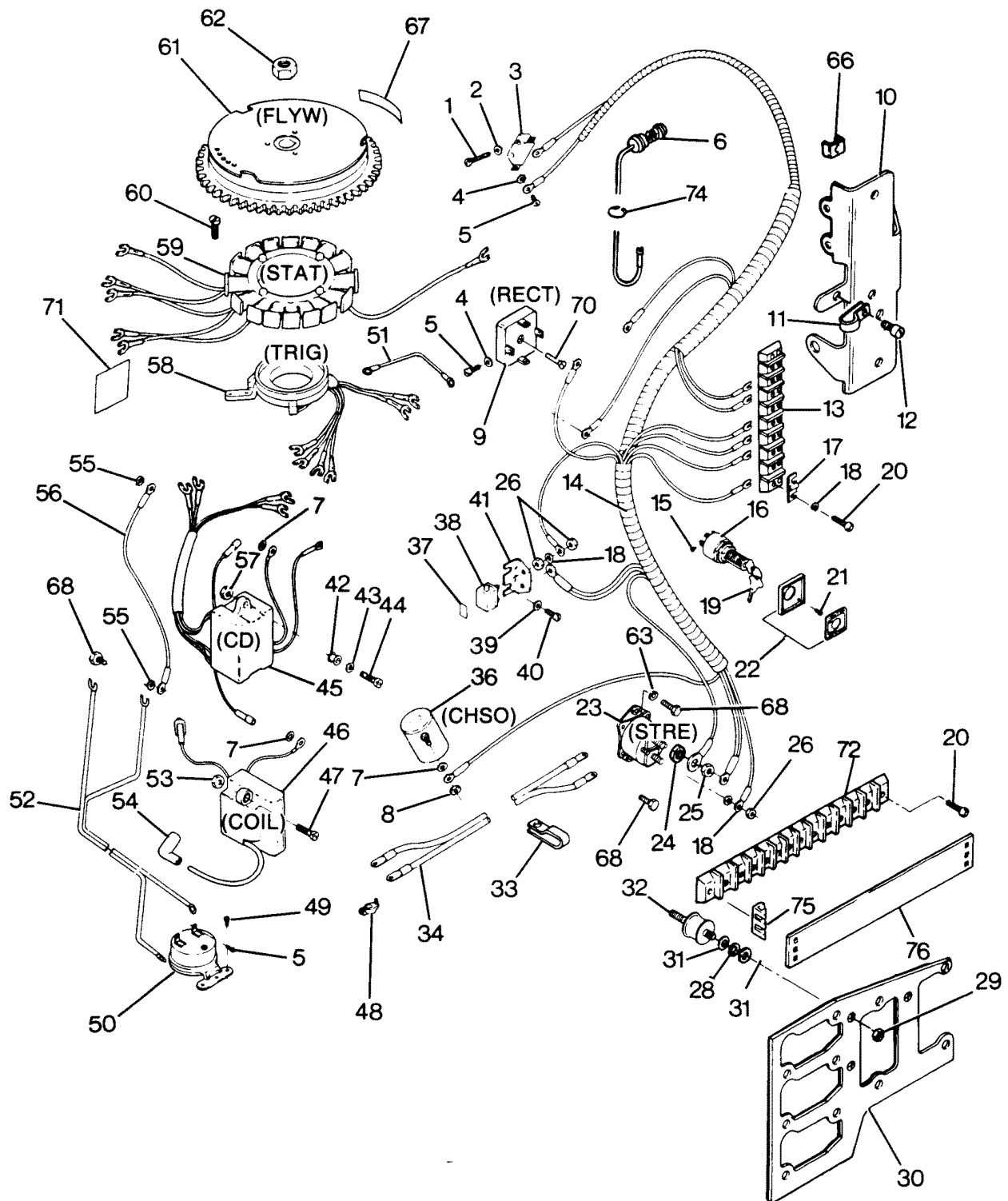
# ENGINE COVER AND SUPPORT PLATE



## ENGINE COVER AND SUPPORT PLATE

REF. NO.	PART NO.	SYM.	QTY.	DESCRIPTION
38	F8083		1	LOCKWASHER
39	F1854		3	HEX CAP SCREW, 1/4 - 20 X 5/8
40	F1203		6	HEX CAP SCREW, 1/4 - 20 X 7/8
41	F1238		7	HEX CAP SCREW, 1/4 - 20 X 3/4
42	F663480		1	RETAINER

# ELECTRICAL COMPONENTS



41620-002

OB 4162

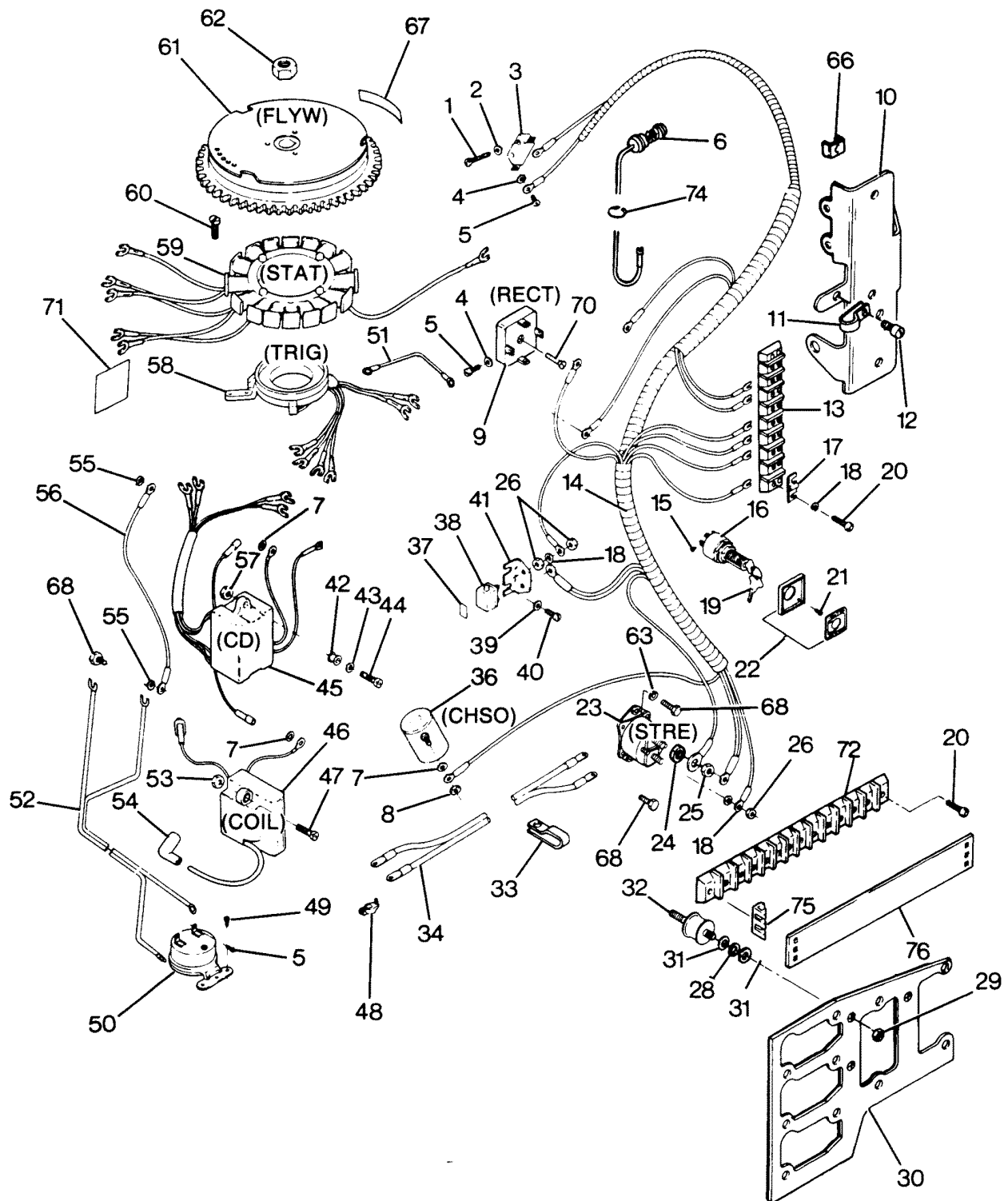


# ELECTRICAL COMPONENTS

REF. NO.	PART NO.	SYM.	QTY.	DESCRIPTION
1	F2016		2	SLOTTED FILL HD. SCREW, 6 - 32 X 7/8
2	F8088		2	PLAIN WASHER
3	F84449		1	NEUTRAL INTERLOCK SWITCH
4	F1704		6	INTERNAL TOOTH LOCKWASHER
5	F1645		8	HD. SCREW, 6 - 32 X 1/4
6	F629449		1	THERMOSWITCH
7	F8056		2	SPRING LOCKWASHER
8	F1647		2	HEX NUT, 8 - 32
9	F650450		1	RECTIFIER <b>WILLUS. 4, 5, 70 AND LITERATURE</b>
10	FA438493		1	BRACKET, TERMINAL BLOCK <b>WILLUS. 12 &amp; 66</b>
11	F289446-1		1	CLAMP, REMOTE ELEC. CABLE TO BRACKET
12	F1734		2	FILL HD. SCREW, 1/4 - 20 X 1/2
13	FA616497		1	TERMINAL BLOCK <b>WILLUS. 17 &amp; 20</b>
14	F653744		1	WIRING HARNESS
15	F1280		6	SLOTTED PAN HD. SCREW, 8 - 32 X 1/4
16	F5H078		1	SWITCH, IGNITION LONG BARREL W/KEYS AND SCREWS <b>(ACCESSORY ITEM)</b>
17	F307317		2	CLIP, TERMINAL BLOCK GROUND
18	F1975		6	LOCKWASHER
19	817782--1		0	KEY IGNITION - NO LETTER OR STAMPED A
-	<b>817883--1</b>		<b>0</b>	<b>KEY IGNITION - STAMPED B</b>
-	<b>817891--1</b>		<b>0</b>	<b>KEY IGNITION - STAMPED C</b>
-	<b>817928--1</b>		<b>0</b>	<b>KEY IGNITION - STAMPED D</b>
-	<b>817929--1</b>		<b>0</b>	<b>KEY IGNITION - STAMPED E</b>
-	<b>FA27232</b>		<b>1</b>	<b>EMERGENCY STARTER ROPE (NOT SHOWN)</b>
20	F1648		2	PAN HD. SCREW, 10 - 24 X 3/4
21	F1934		4	FLAT HD SCREW, 6 X 1/2
22	F5H038		1	IGNITION SWITCH MOUNTING KIT (ACCESSORY ITEM)
23	FK460917		1	STARTER RELAY <b>WILLUS. 63, 69 AND LITERATURE</b>
24	F8096		2	SPRING LOCKWASHER
25	F1515		2	HEX NUT, S.S., 5/16 - 18
26	F1513		6	HEX NUT, 10 - 32
28	F8090		3	PLAIN WASHER
29	F1515		3	HEX NUT, S.S., 5/16 - 18
30	FS663358		1	BRACKET (C.D. - COIL)
31	F8124		6	EXTERNAL TOOTH LOCKWASHER
32	F215962		3	MOUNT (SHOCK - C.D. UNIT)
33	F407446		1	CLAMP
34	F381896-4		1	BATTERY CABLE
36	F654924		1	CHOKE SOLENOID
37	F510374-1		1	DECAL, CIRCUIT BREAKER
38	F510460		1	CIRCUIT BREAKER
39	F8011		2	PLAIN WASHER

CONTINUED ON NEXT PAGE ➡

# ELECTRICAL COMPONENTS



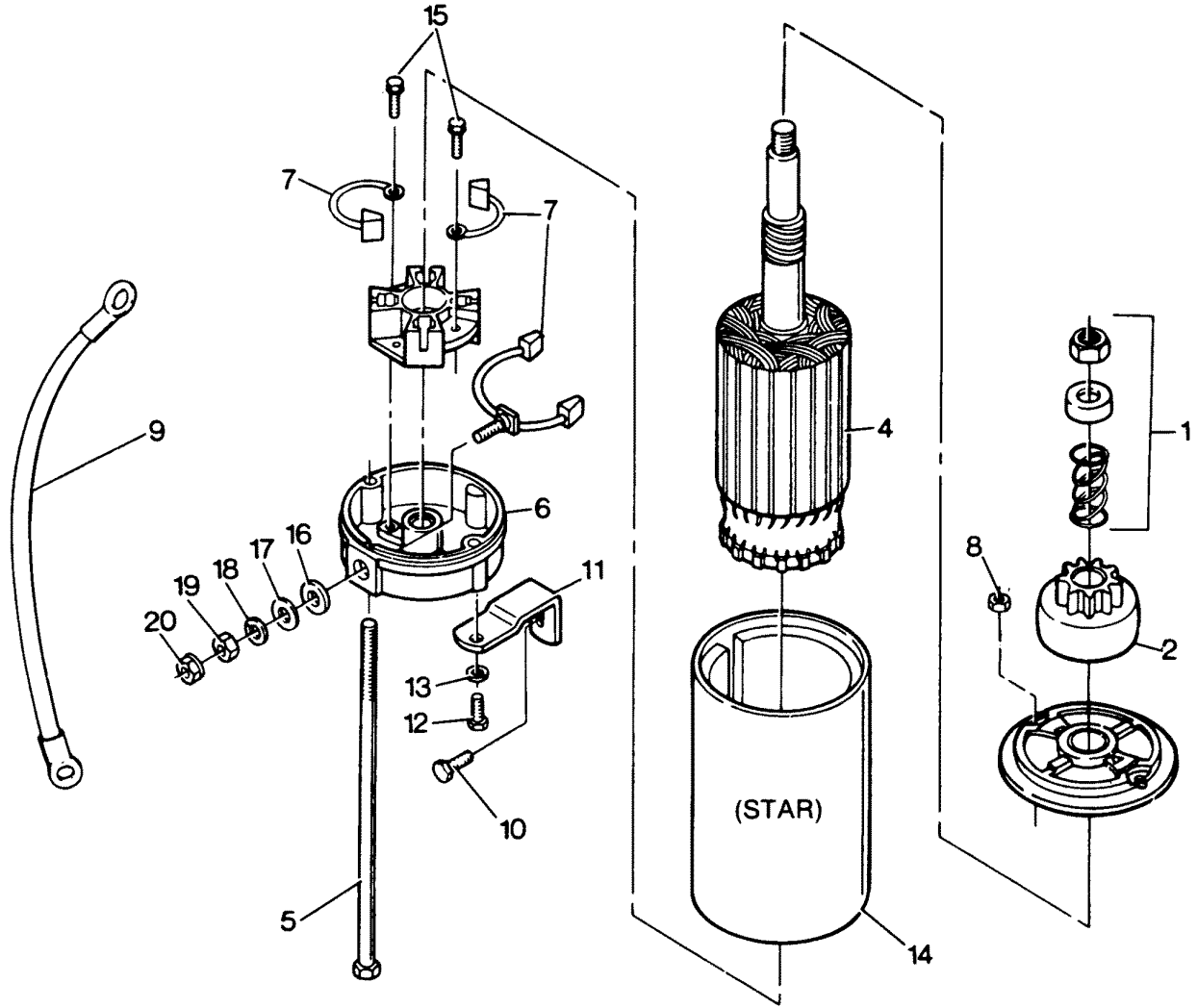
41620-002

OB 4162

# ELECTRICAL COMPONENTS

REF. NO.	PART NO.	SYM.	QTY.	DESCRIPTION
40	F1760		2	SLOTTED PAN HD. SCREW, 10 - 24 X 3/8
41	F91446-1		1	CIRCUIT BREAKER BRACKET
42	F475504		4	GROMMET
43	F8028		4	PLAIN WASHER
44	F2008		4	HEX HD. M. SC., 1/4 - 20 X 7/8
45	F653301-1		2	MODULE
46	F615475		3	IGNITION COIL
47	F2008		6	HEX HD. MACH. SCREW, 1/4 - 20 X 7/8
48	F5H041		1	BATTERY TERMINAL KIT (ACCESSORY ITEM)
49	F1741		2	PAN HD. SCREW, 8 X 3/4
50	F5H043		1	BUZZER, HEAT INDICATOR (ACCESSORY ITEM)
51	F345683		1	WIRE, GROUND (RECTIFIER TO STARTER BOLT)
52	F404841		1	CABLE, HEAT INDICATOR
53	F1341		6	NUT, 1/4 - 20
54	FK1123		3	SPARKIE KIT
55	F2106		2	LOCKWASHER
56	F319908		1	WIRE, GROUND (C.D. - COIL BRACKET)
57	F1832		4	NUT, LOCK 1/4 - 20
58	F653029		1	TRIGGER ASSY.
59	F663095		1	ALTERNATOR STATOR
60	F1550		4	SLOTTED PAN HD. SCREW #12 - 24 X 1
61	200-817865A1		1	FLYWHEEL <b>W/ILLUS. 67 ORIGINAL FORCE P/N A 615097-1</b>
62	F1968		1	HEX NUT, 3/4 X 16
63	F8083		1	SPRING LOCKWASHER
66	F438668		1	RETAINER
67	FA609853		1	DECAL, WARNING <b>W/LITERATURE</b>
68	F1705		3	HEX HD. SCREW, 1/4 - 20 X 3/4
70	F1303		1	PAN HD. SCREW, 8 - 32 X 3/4
71	F653398-1		1	DECAL, 3 CYL WIRING
72	F664497		1	TERMINAL BLOCK (12 POSITION)
74	F428096		1	RETAINER, THERMOSWITCH
75	F664384		2	CLIP, TERMINAL BLOCK COVER
76	F664672		1	COVER, TERMINAL BLOCK COVER
-	<b>F1877</b>		<b>1</b>	<b>TY-RAP (NOT SHOWN)</b>

# STARTER



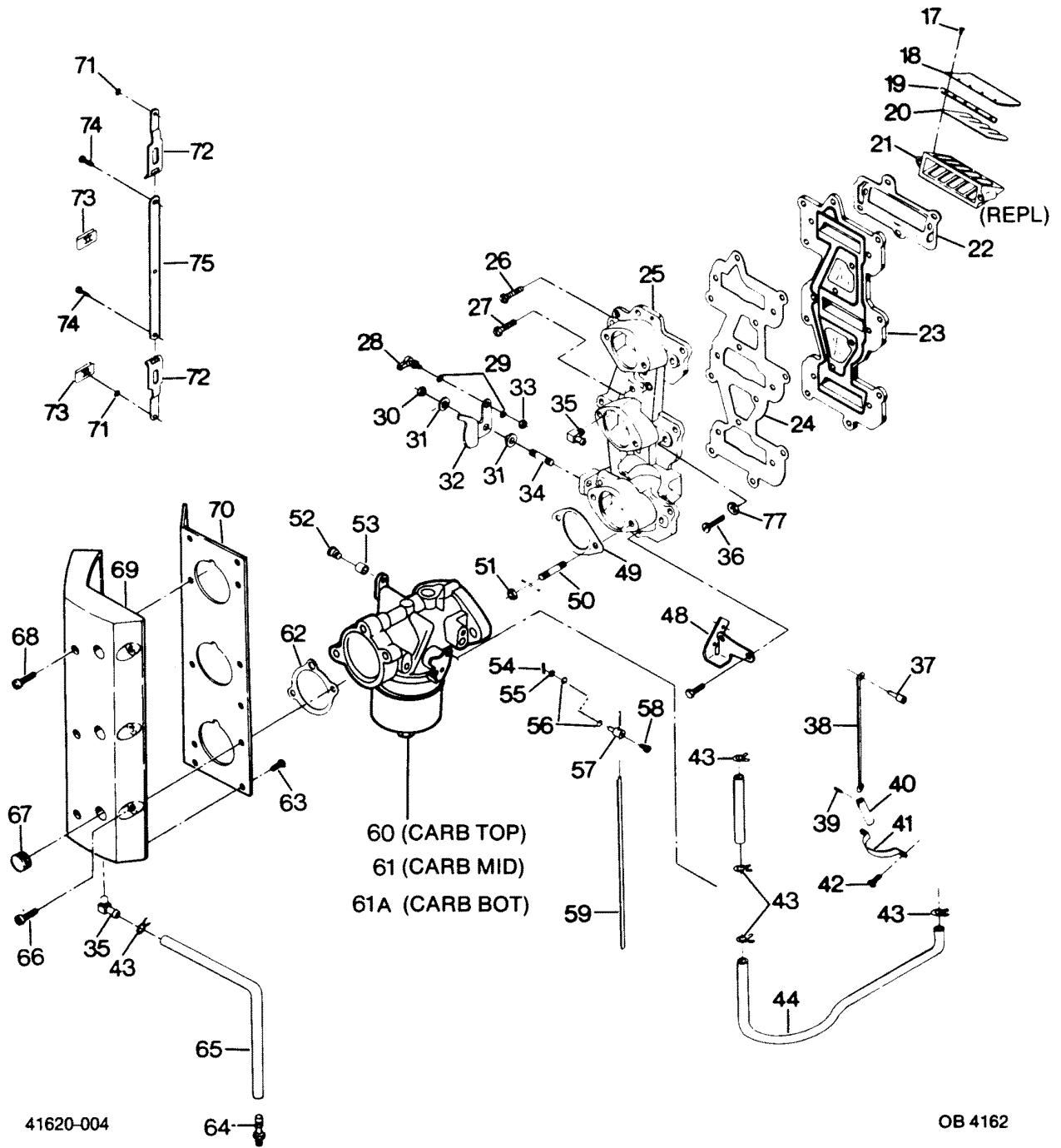
41620-003

OB 4162

# STARTER

REF. NO.	PART NO.	SYM.	QTY.	DESCRIPTION
1	F15174		1	DRIVE KIT
2	F15175		1	DRIVE ASSEMBLY PINION
3	F15176		1	CAP STARTER DRIVE
4	F15177		1	ARMATURE
5	F15178		1	THRU BOLT PACKAGE
6	F15179		1	COMMUTATOR
7	F15164		1	BRUSH KIT
8	F1641		2	LOCK NUT
9	F85908-1		1	LEAD WIRE
10	F1922		1	HEX CAP SCREW, 1/4 - 20 X 5/8
11	F616675		1	STARTER BRACKET LOWER
12	F1854		1	HEX HD. CAP SCREW, 1/4 - 20 X 5/8
13	F8083		1	SPRING LOCKWASHER
14	F616955		1	STARTER COMPLETE. <b>INCLUDES ALL ITEMS MARKED WITH AN ASTERISK (*).</b>
15	F15158		1	SCREW, BRUSH HOLDER
16	F15160		1	INSULATOR WASHER
17	F15161		1	PLAIN WASHER
18	F15152		1	LOCKWASHER
19	F1341		1	NUT
20	F15162		1	NUT

# ADAPTER AND REED PLATE

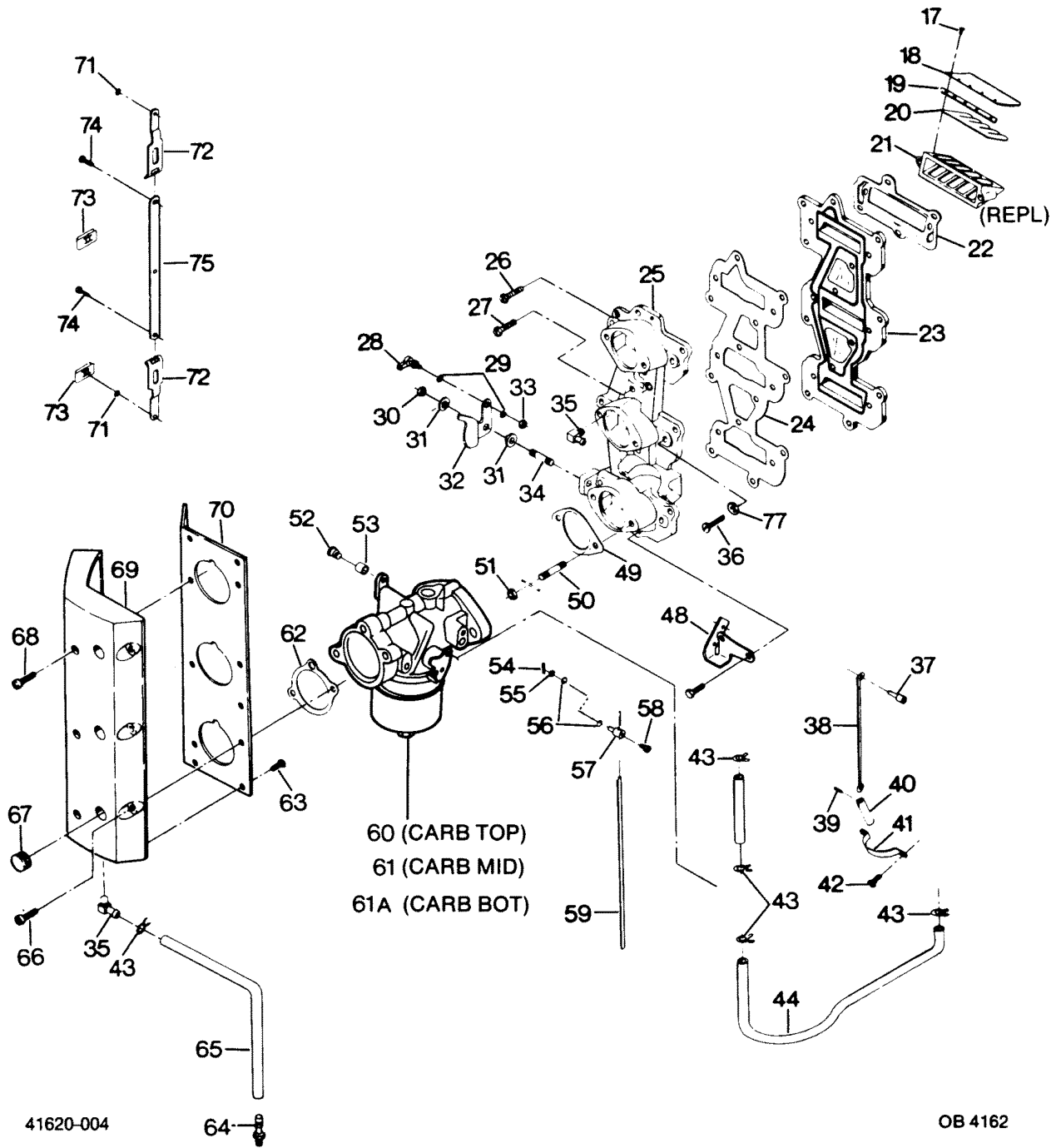


# ADAPTER AND REED PLATE

REF. NO.	PART NO.	SYM.	QTY.	DESCRIPTION
17	F1755		30	RD HD SCREW W/LOCKWASHER, 6 - 32 X 5/16
18	F85161-1		6	REED STOP
19	F523451		6	SPACER, REED STOP
20	F530160		6	REED (5 PETAL)
21	F3A523158		3	REED PLATE <b>WILLUS. 17, 18, 19 AND 20</b>
22	F85168-1		3	GASKET REED PLATE ADAPTER
23	F85162		1	REED PLATE ADAPTER
24	F85159-1		1	GASKET, INTAKE MANIFOLD
25	817959A3		1	INTAKE MANIFOLD <b>WILLUS. 36 AND LITERATURE ORIGINAL FORCE P/N K 480167-2</b>
26	F2008		7	HEX HD SCREW, 1/4 - 20 X 7/8
27	F1699		2	HEX HD SCREW, 1/4 - 20 X 1-1/8
28	817747--1		1	BALL JOINT W/STUD
29	F8058		2	INTERNAL TOOTH LOCKWASHER
30	F7008		1	STOP NUT, 1/4 - 20
31	F269319		2	BEARING
32	F85192-1		1	THROTTLE CAM
33	F1513		1	HEX NUT, 10 - 32
34	F433209-1		1	STUD
35	22-818103--1		2	ELBOW
36	F2050		6	HEX HD SCREW, 1/4 - 20 X 1-1/2
37	F85033		1	CHOKE ROD SWIVEL
38	F85925		1	CHOKE ROD
39	F2033		1	GROOVE PIN
40	F391926-1		1	CHOKE SOLENOID PLUNGER
41	F85317-3		1	CLAMP
42	F1236		2	HEX HD SCREW, 1/4 - 20 X 1/2
43	F97772		6	HOSE CLAMP
44	F438754		1	FUEL LINE
46	F85253-1		2	FUEL LINE
47	F1532		3	HEX HD SCREW, 1/4 - 20 X 1
48	F480551-1		1	BRACKET INTERLOCK SWITCH
49	F85906		3	CARBURETOR GASKET
50	F40209		6	CARBURETOR STUD
51	F1515		6	HEX NUT, 5/16 - 18
52	F333316		1	THROTTLE ROLLER SHAFT
53	F92759		1	THROTTLE ROLLER
54	F1014		3	COTTER PIN
55	F8088		3	PLAIN WASHER
56	F184579		6	SEAL, CHOKE ARM SWIVEL
57	F184033-1		2	CHOKE ARM SWIVEL
58	F1059		3	FILL HD SCREWS, S.S., 6 - 32 X 1/4
59	F85509-1		1	CHOKE LINK

CONTINUED ON NEXT PAGE ➡

# ADAPTER AND REED PLATE



41620-004

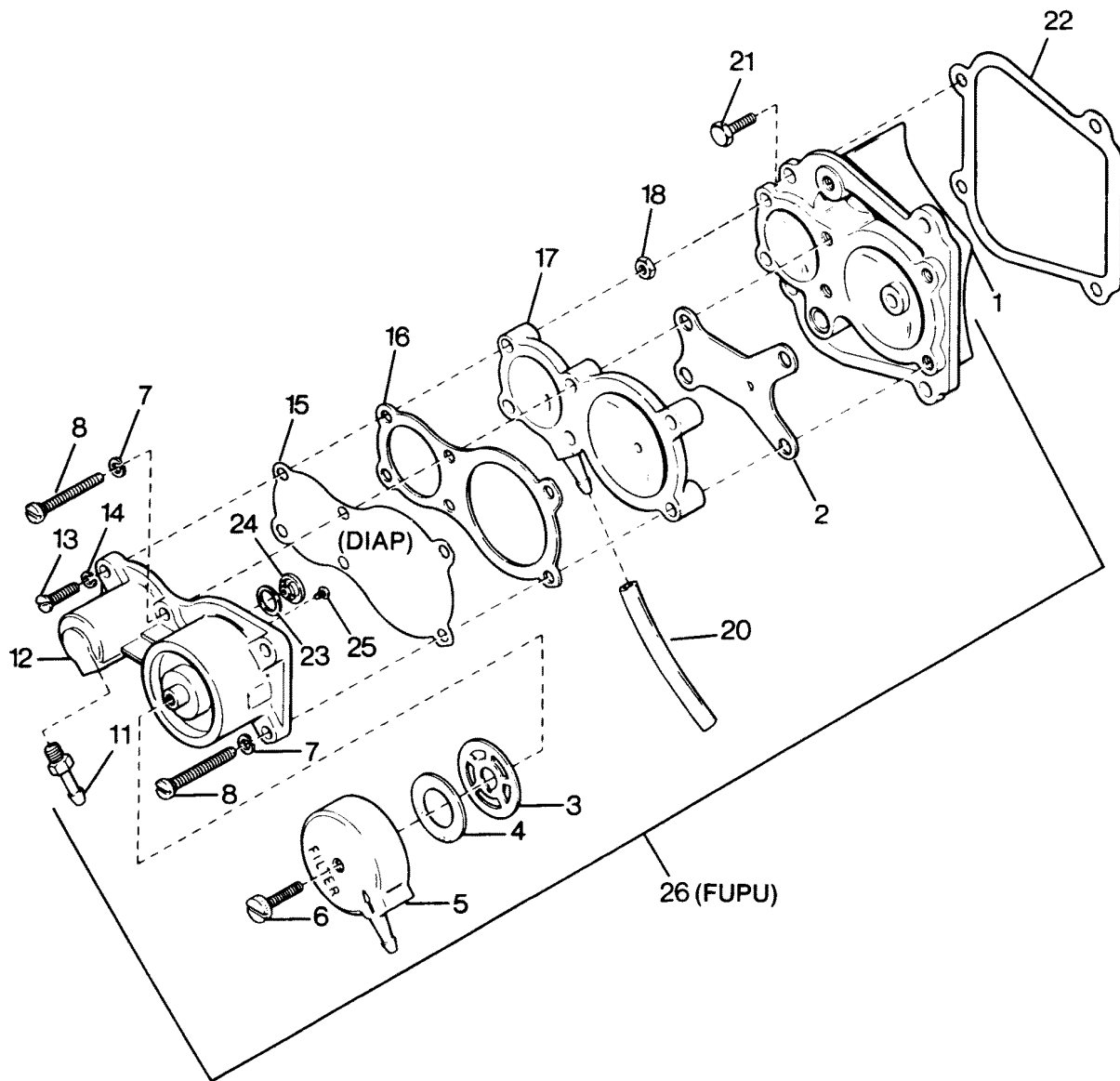
OB 4162



## ADAPTER AND REED PLATE

REF. NO.	PART NO.	SYM.	QTY.	DESCRIPTION
60	F631061-2		1	CARBURETOR COMPLETE (TOP) WE 18-1A
61	F632061-2		1	CARBURETOR COMPLETE (MIDDLE) WE 18-2A
61A	F632061-2		1	CARBURETOR COMPLETE (BOTTOM) WE 18-2A
62	F481836		3	INTAKE GASKET
63	F1760		6	PAN HD SCREW, 10 - 24 X 3/8
64	22-817789A1		1	DRAIN FITTING W/METERING CUP
65	F63754		1	HOSE INTAKE DRAIN
66	F1504		3	FILL HD SCREW, 1/4 - 20 X 1-1/4
67	F53504		3	GROMMET
68	F1072		3	FILL HD SCREW, 1/4 - 20 X 1-3/4
69	F481860-1		1	CARBURETOR, INTAKE
70	F481567		1	CARBURETOR INTAKE ADAPTER RETAINING RING
71	F90807		3	RETAINING RING
72	FA85193		2	TIE BAR END W/SWIVEL
73	F1693		2	TIER BAR RETAINER
74	F1064		2	FILL HD SCREWS, S.S., 8 - 32 X 3/8
75	FA85511		1	THROTTLE TIE BAR W/SWIVEL
77	F8026		1	PLAIN WASHER

# FUEL PUMP



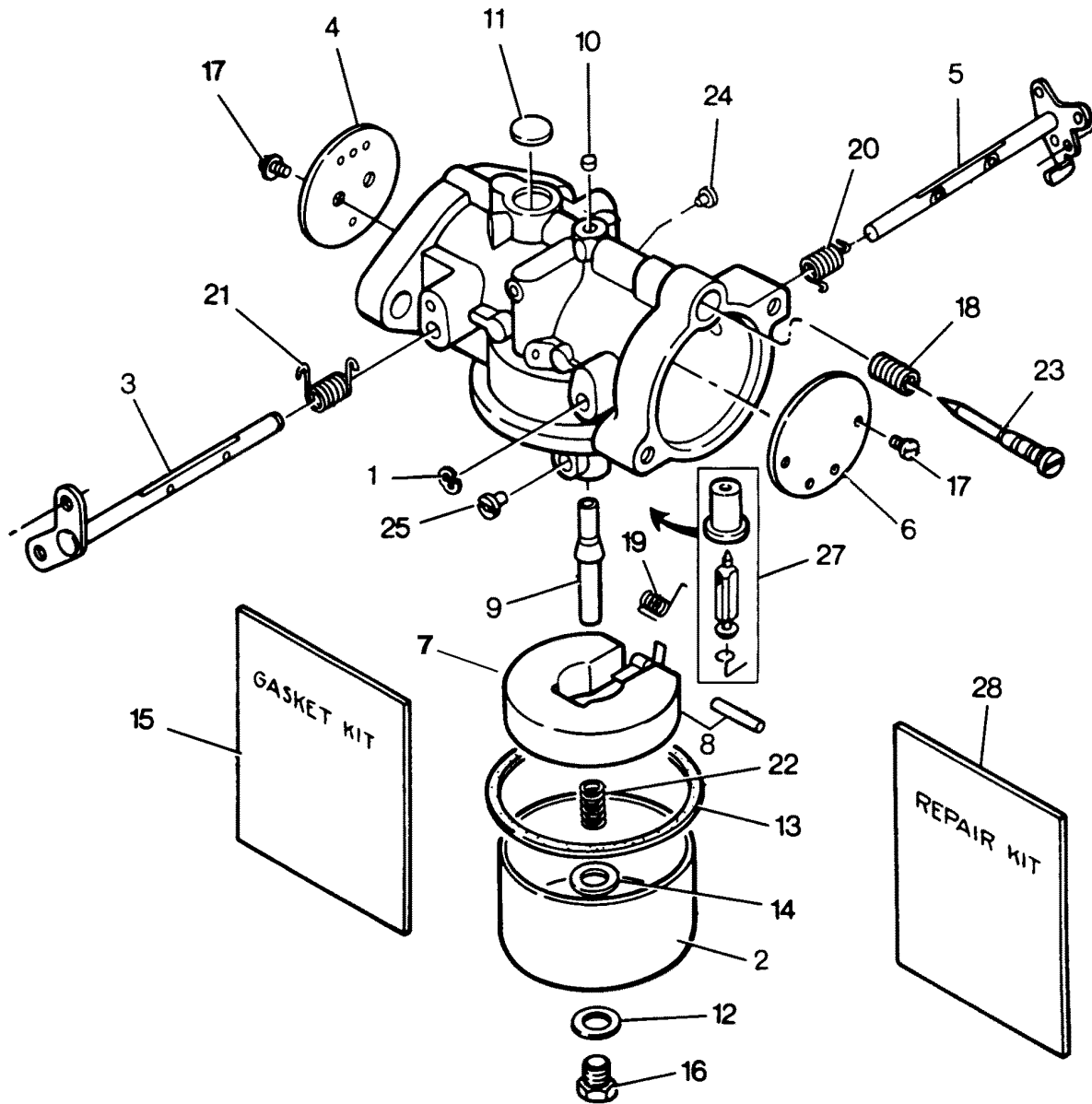
41620-005

OB 4162

# FUEL PUMP

REF. NO.	PART NO.	SYM.	QTY.	DESCRIPTION
1	FA658746		1	COVER, FUEL PUMP <b>W/LITERATURE</b>
2	F658803		1	GASKET, SPACER PLATE
3	F438617		1	GASKET, FUEL SEDIMENT BOWL
4	F438653		1	SCREEN, FUEL PUMP
5	F438500		1	BOWL, FUEL SEDIMENT
6	F1648		1	SCREW, FUEL SEDIMENT BOWL
7	F8083		4	LOCKWASHER
8	F1504		4	SLOTTED FIL SCREW, 1/4 - 20 X 1-1/4 S.S.
9	F89758		1	FUEL PUMP AIR HOSE, TOP
11	F438801		1	FITTING, FUEL PUMP OUTLET
12	FA438431		1	BODY, FUEL PUMP <b>W/ILLUS.</b>
13	F1648		2	SCREW 10 - 24 X 3/4 PAN HD SCREW
14	F1975		2	LOCKWASHER
15	F438747		1	DIAPHRAGM, FUEL PUMP
16	F438760		1	GASKET, FUEL PUMP
17	F658836		1	SPACER, FUEL PUMP
18	F1473		2	NUT, 10 - 24 S.S.
20	F658758		1	HOSE, IMPULSE
21	F1540		3	HEX HD SCREW, 1/4 - 20 X 5/8 GR. 5
22	F40223		1	GASKET, TRANSFER PORT COVER
23	F84792		1	GASKET, FUEL PUMP VALVE
24	F177330		3	VALVE, FUEL PUMP
25	F1860		2	SLOTTED BINDING HEAD SCREW, 6 - 32 X 1/4
26	F2A658746		1	FUEL PUMP COMPLETE <b>INCLUDES ITEMS 1, 2, 7, 8 &amp; 11 THRU 20</b>

# CARBURETOR



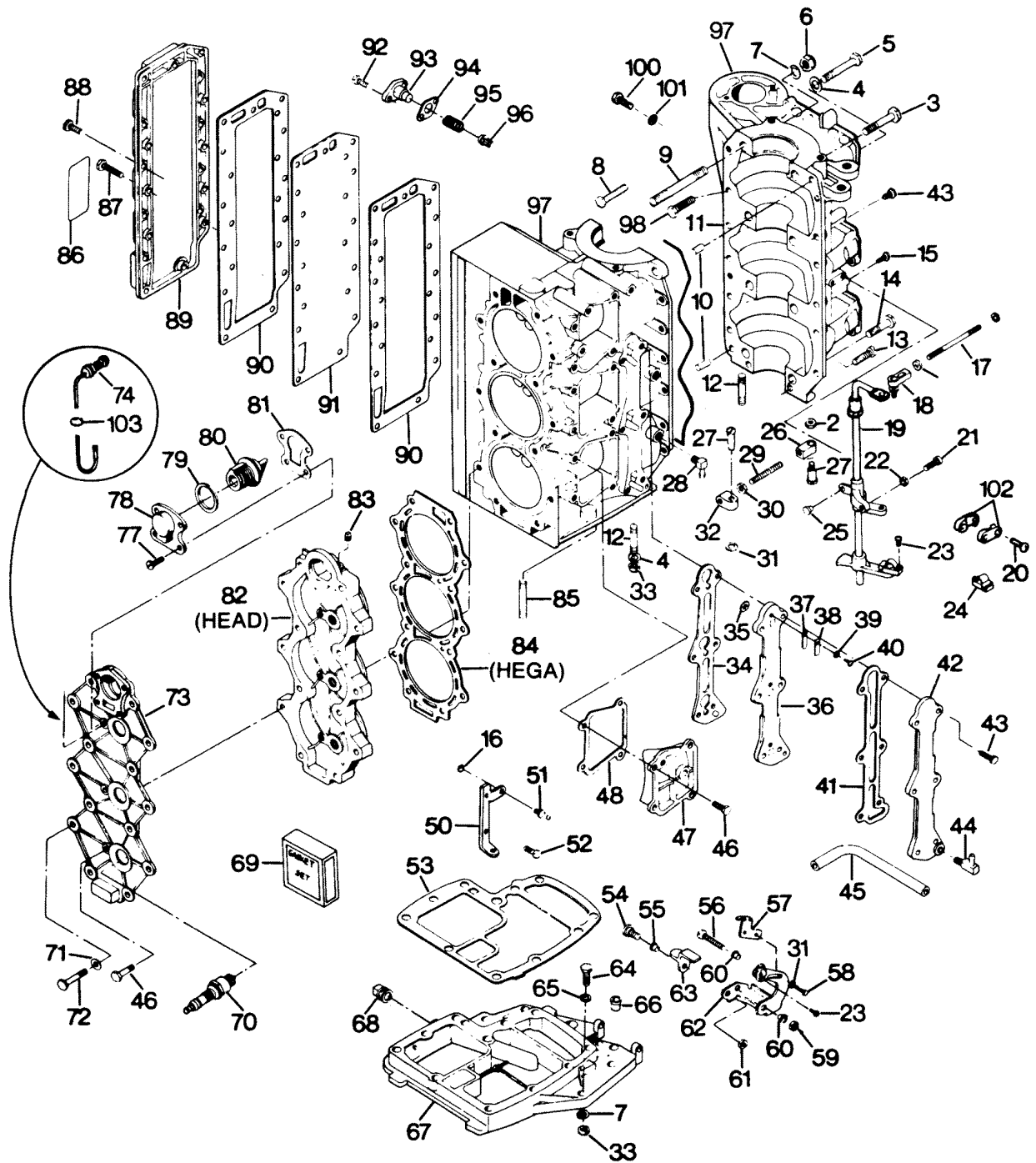
41620-006

OB 4162

# CARBURETOR

REF. NO.	PART NO.	SYM.	QTY.	DESCRIPTION
1	F10218		1	SHAFT RING RETAINER
2	F10127		1	FUEL BOWL
3	F10168		1	THROTTLE SHAFT ASSEMBLY
4	F10169		1	THROTTLE VALVE
5	F10219		1	CHOKE SHAFT ASSEMBLY
6	F10161		1	CHOKE VALVE
7	F10135		1	FLOAT ASSEMBLY
8	F10208		1	PIN, FLOAT ASSEMBLY
9	10137		1	NOZZLE
10	F10152		2	CUP PLUG
11	F10153		1	WELCH PLUG
12	F10206		1	BOWL RETAINER GASKET
13	FO15623		1	BOWL RING GASKET
14	F10090		1	BOWL RETAINER GASKET
15	K10209		1	GASKET KIT. INCLUDES ALL ITEMS MARKED WITH A DOUBLE ASTERISK (**).
16	F10205		1	BOWL RETAINER SCREW
17	F10155		4	CHOKE AND THROTTLE SCREW
18	F10141		1	IDLE NEEDLE SPRING
19	F10142		1	FLOAT SUPPORT SPRING
20	F10143		1	CHOKE VALVE SPRING
21	F10172		1	THROTTLE RETURN SPRING
22	F10204		1	NOZZLE SPRING
23	FO14166		1	NEEDLE, IDLE
24	FO15337		1	JET (.058)
25	F10212		1	MAIN FUEL JET (.074) SEA LEVEL - 2500 FT.
-	<b>F10213</b>		<b>0</b>	<b>072) 2500 - 5000 FT.</b>
-	<b>F10214</b>		<b>0</b>	<b>070) 5000 - 7500 FT.</b>
-	<b>F10215</b>		<b>0</b>	<b>068) 7500 - 10,000 FT.</b>
27	10234		1	VALVE
28	FK10125		1	REPAIR KIT. INCLUDES ALL ITEMS MARKED WITH A SINGLE ASTERISK (*).
-	<b>F631061-2</b>		<b>1</b>	<b>CARBURETOR COMPLETE (TOP) WE 18-1A</b>
-	<b>F632061-2</b>		<b>1</b>	<b>CARBURETOR COMPLETE (MIDDLE) WE 18-2A</b>
-	<b>F632061-2</b>		<b>1</b>	<b>CARBURETOR COMPLETE (BOTTOM) WE 18-2A</b>

# POWERHEAD



41620-007

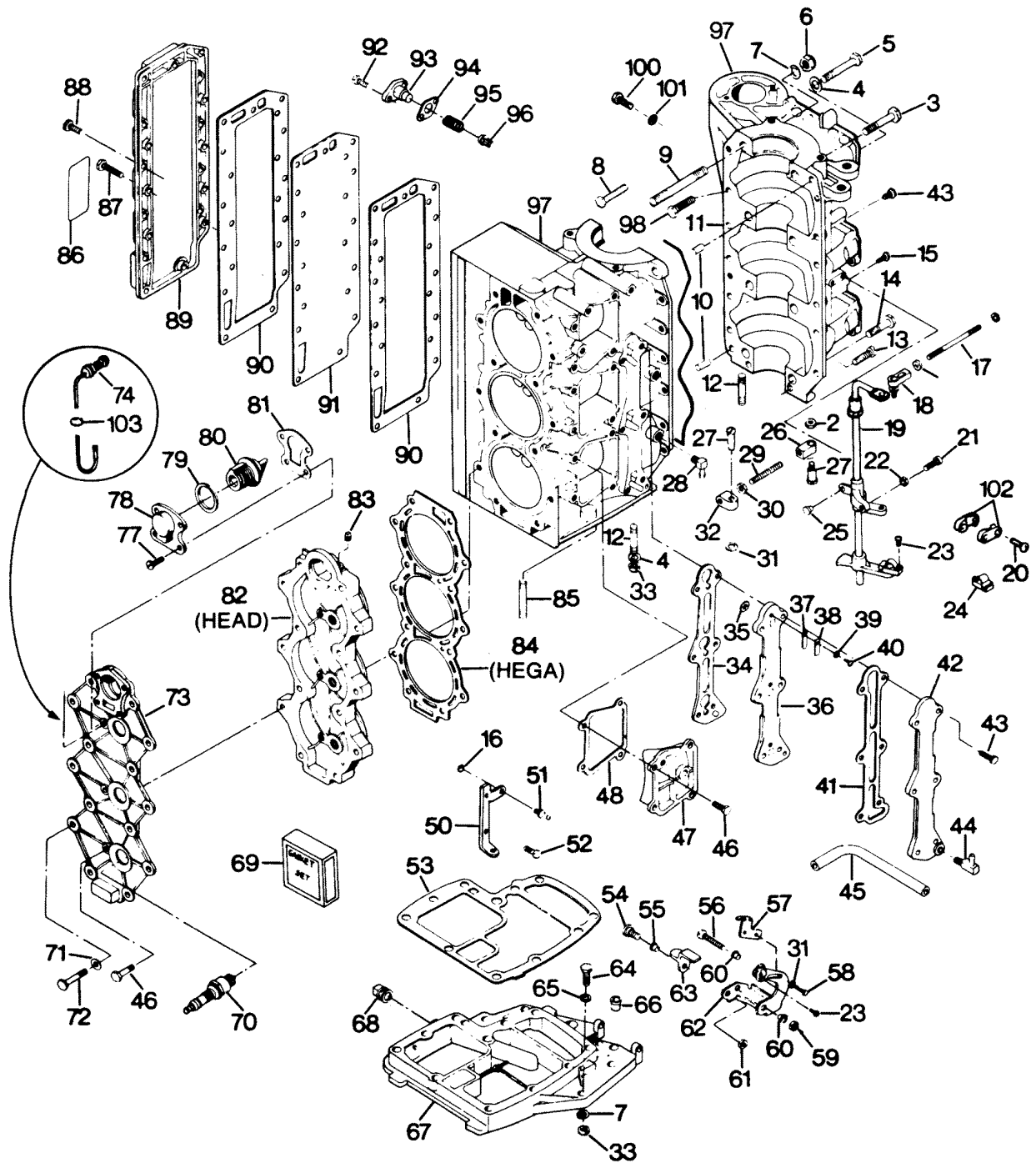
OB 4162

# POWERHEAD

REF. NO.	PART NO.	SYM.	QTY.	DESCRIPTION
2	F7009		1	LOCK NUT, #10 - 24
3	F1009		1	HEX BOLT, 3/8 - 16 X 2-3/4
4	F8038		4	PLAIN WASHER
5	F1873		4	HEX BOLT, 3/8 - 16 X 3
6	F1346		1	HEX NUT, 3/8 - 16
7	F8095		14	PLAIN WASHER
8	F1864		9	HEX HD. SCREW, 1/4 - 20 X 3/4
9	F85210		1	STUD
10	F8563		2	DOWEL PIN
11	F184122-1		1	PARTING LINE SEAL
12	F85859		4	STUD, FORWARD
13	F1504		2	FILL HD. SCREW, 1/4 - 20 X 1-1/4
14	F1872		2	HEX BOLT, 3/8 - 16 X 1-3/4
15	F1199		1	HEX CAP SCREW, 1/4 - 20 X 1
16	F1804		2	STOP NUT
17	F85502		1	THROTTLE LINK
18	817747--1		1	BALL JOINT W/STUD
19	817968A2		1	<b>TOWERSHAFT WILLUS. 18, 21, 22, 24, 25 AND 102 ORIGINAL FORCE P/N K 616838-1</b>
20	F1829		2	FILL HD. SCREW, 10 - 24 X 7/8
21	F1504		1	FILL HD. SCREW, 1/4 - 20 X 1-1/4
22	F1341		1	HEX NUT, 1/4 - 20
23	F1556		2	FILL HD. SCREW W/LOCKWASHER, 10 - 24 X 3/8
24	FK405020		2	SWIVEL W/PIVOT SCREW AND NUT
25	F1727		1	PLASTIC RIVET
26	F499036		1	TOWERSHAFT CONTROL ROD END
27	F499026		2	SWIVEL
28	F84314-2		1	ELBOW
29	F85445		1	ROD, SPARK CONTROL
30	F2015		1	HEX NUT, 1/4 - 28
31	F2042		2	PLAIN WASHER
32	F499035		1	ROD END, CONTROL ROD TO TRIGGER
33	F7004		10	STOP NUT, 3/18 - 16
34	F85748-2		1	GASKET, CYLINDER DRAIN REED PLATE
35	F93811		3	SCREEN
36	F2A404757		1	<b>CYLINDER DRAIN REED PLATE WILLUS. 35, 37, 38, 39, 40 AND METERING CUP</b>
37	F18160-3		3	REED
38	F93920		3	REED STOP
39	F8003		3	PLAIN WASHER
40	F1286		3	PAN HD. SCREW, 4 - 40 X 3/16
41	F85472-2		1	GASKET, CYLINDER DRAIN COVER
42	817787A1		1	<b>CYLINDER DRAIN COVER W/PLUG AND LITERATURE ORIGINAL FORCE P/N A 404471-1</b>

CONTINUED ON NEXT PAGE ➡

# POWERHEAD



41620-007

OB 4162

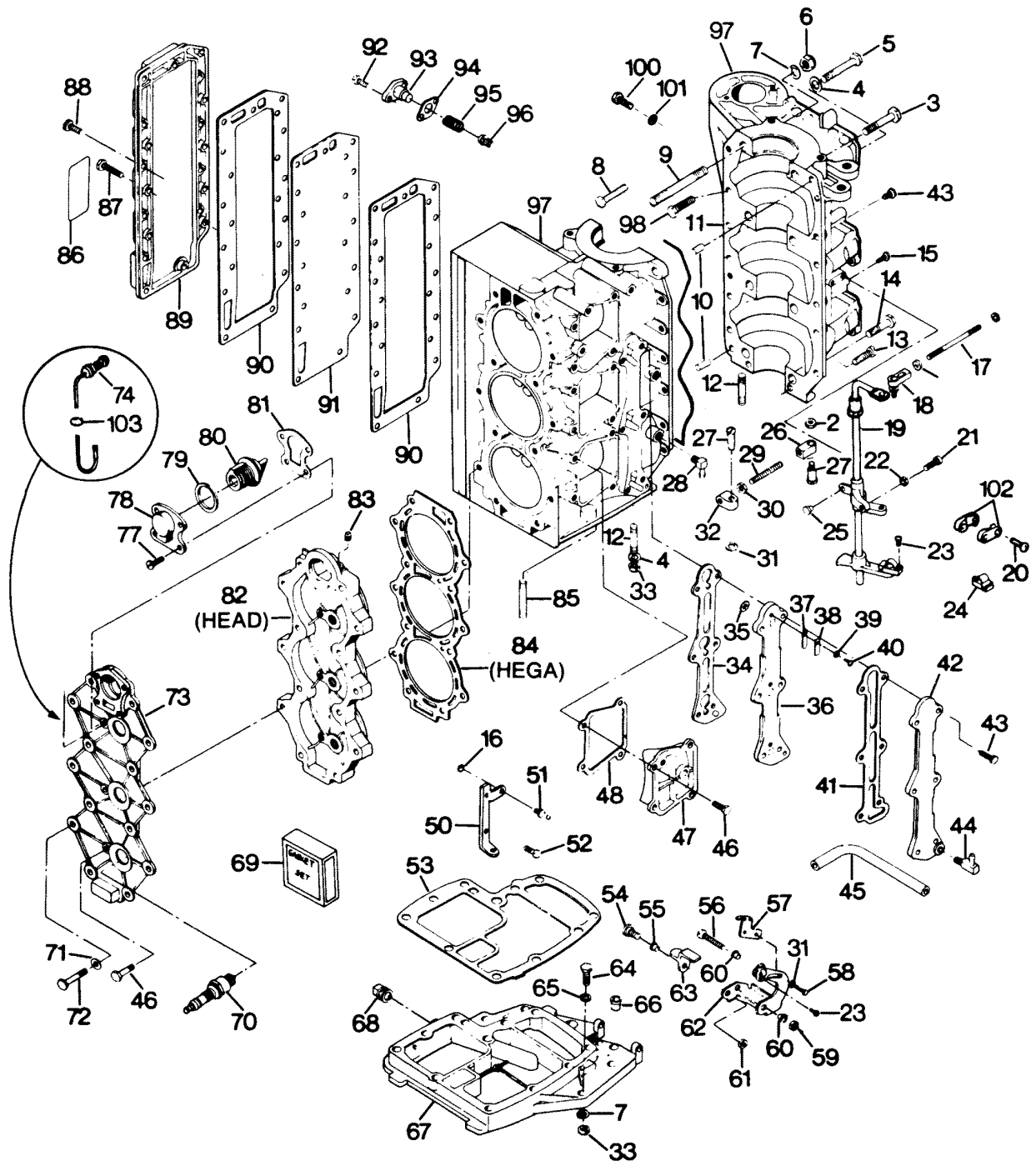


# POWERHEAD

REF. NO.	PART NO.	SYM.	QTY.	DESCRIPTION
43	F1532		6	HEX HD. SCREW, 1/4 - 20 X 1
44	F404801		1	FITTING
45	F433253		1	HOSE
46	F1922		8	HEX HD. SCREW, 1/4 - 20 X 5/8
47	FA411222		2	TRANSFER PORT COVER W/PLUGS AND LITERATURE
48	F40223		3	GASKET, TRANSFER PORT COVER
49	F1513		2	HEX NUT 10 - 32
50	FS85872-1		1	BRACKET, REMOTE CABLE
51	F98273		2	ROD END CONNECTOR STUD
52	F1864		2	HEX HD. SCREW, 1/4 - 20 X 3/4
53	F85279-2		1	CYLINDER EXHAUST GASKET, UPPER
54	F369887		1	SHOULDER SCREW
55	F369610		1	BEARING
56	F1885		1	HEX BOLT, 5/16 - 18 X 4-1/4
57	F480107-1		1	CAM, STARTER INTERLOCK
58	F2089		2	SLOTTED PAN HD. MACHINE SCREW, 10 - 24 X 5/16
59	F2108		1	STOP NUT, 5/16 - 18
60	F85610		2	BEARING
61	F1832		1	STOP NUT, 1/4 - 20
62	FA480876		1	GEAR SHIFT ARM W/ILLUS. 24, 54, 55, 60, 61 AND 63
63	F369977-1		1	INTERLOCK ARM
64	F1869		6	HEX BOLT, 3/8 - 16 X 1-1/4
65	F1703		6	SPRING LOCKWASHER
66	F40689-1		1	BEARING, TOWERSHAFT
67	817788A3		1	SPACER PLATE W/ILLUS. 68 ORIGINAL FORCE P/N A 404680-2
68	F2090		1	PLUG
69	FG1020-1		1	GASKET SET - INCLUDES ITEMS MARKED WITH A *
-	F40223		3	TRANSFER PORT COVER GASKET
-	F84278		1	CRANKSHAFT BRG. SEAL CAGE SEAL
-	F84504		1	THERMOSTAT GROMMET
-	F184122-1		1	CRANKCASE SEAL
-	F85154-1		2	EXHAUST PORT PLATE GASKET
-	F85159-1		1	MANIFOLD GASKET
-	F85168-1		3	CARBURETOR ADAPTER FLANGE GASKET
-	F85279-2		1	CYLINDER, EXHAUST - UPPER GASKET
-	F85472-2		1	CYLINDER DRAIN COVER GASKET
-	F85748-2		1	CYLINDER DRAIN REED PLATE GASKET
-	F85762		1	BY-PASS VALVE GASKET
-	F85906		3	CARBURETOR GASKET
-	F369529-1		1	CYLINDER HEAD GASKET
-	F476067		1	THERMOSTAT COVER GASKET
-	F481836		3	INTAKE GASKET

CONTINUED ON NEXT PAGE ➡

# POWERHEAD



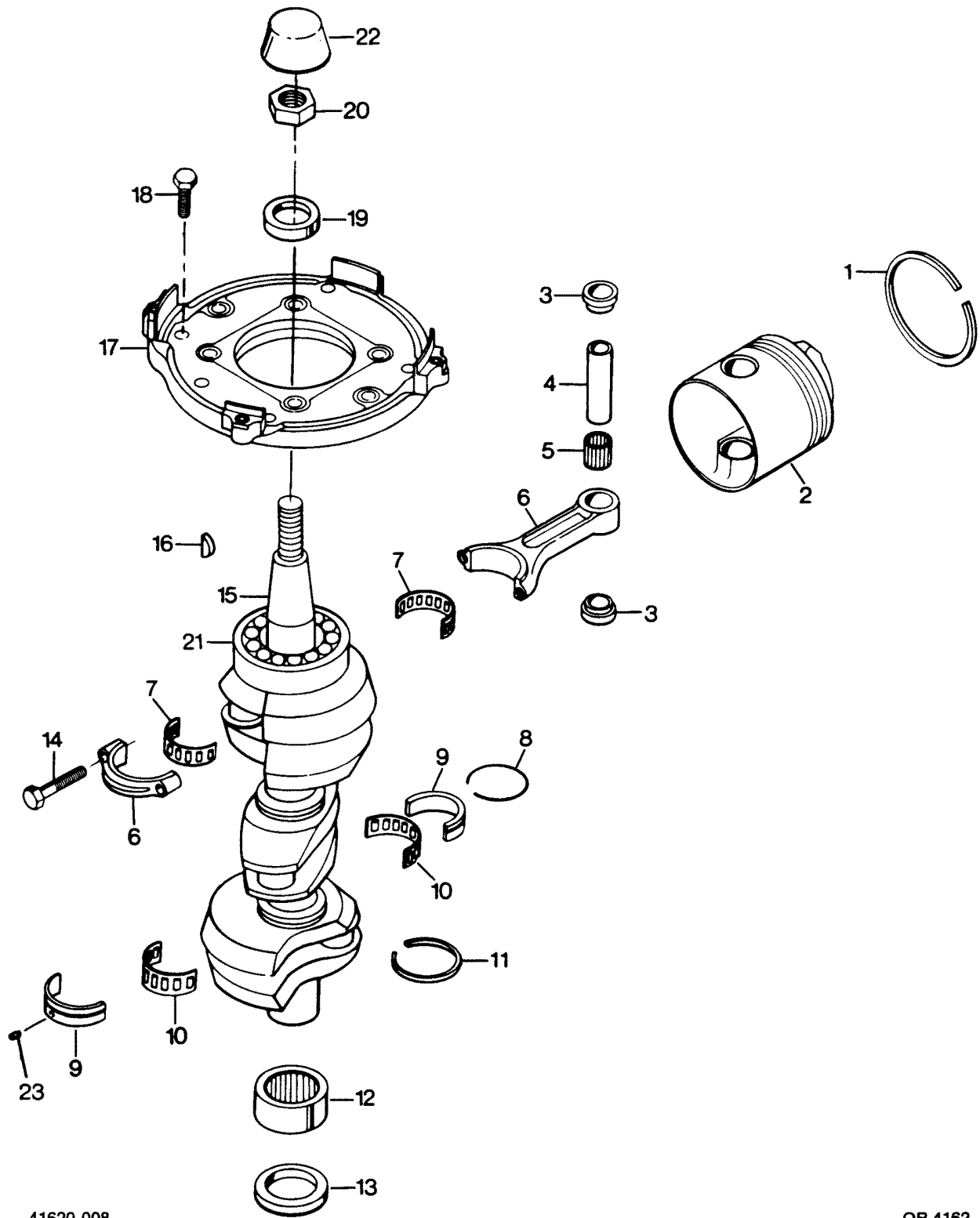
41620-007

OB 4162

# POWERHEAD

REF. NO.	PART NO.	SYM.	QTY.	DESCRIPTION
70	33-818007--1		3	SPARK PLUG (CHAMPION UL-18-V)
71	F1987		14	PLAIN WASHER
72	F1883		14	HEX BOLT, 5/16 - 18 X 2-3/8
73	F499995		1	CYLINDER HEAD COVER
74	F629449		1	THERMOSWITCH
77	F1110		4	FILL HD. SCREW, 1/4- 20 X 5/8
78	F476066-1		1	COVER, THERMOSTAT
79	F84504		1	GROMMET
80	F528068		1	THERMOSTAT (110-F)
81	F476067		1	GASKET, THERMOSTAT COVER
82	F630518		1	CYLINDER HEAD
83	F19109		1	PLUG
84	F369529-1		1	CYLINDER HEAD GASKET
85	F85211		6	STUD, REAR
86	FC529398		1	DECAL, WIRING
87	F1709		5	HEX HD. SCREW, 1/4 - 20 X 1-1/8
88	F1203		14	HEX HD. SCREW, 1/4 - 20 X 7/8
89	F85152-4		1	EXHAUST PORT COVER
90	F85154-1		2	GASKET, EXHAUST PORT PLATE
91	F85151-1		1	EXHAUST PORT PLATE
92	F1950		2	HEX HD. SCREW, 10 - 24 X 5/8
93	F438066		1	BY-PASS VALVE COVER
94	F85762		1	GASKET, BY-PASS VALVE
95	F404268		1	SPRING, BY-PASS VALVE
96	F85916-1		1	BY-PASS VALVE
97	800-817861A7		1	CYLINDER <b>W/COVER</b> , ILLUS. 3, 5, 6, 9, 11, 12, 13, 14, 65, 86 <b>AND LITERATURE ORIGINAL FORCE P/N A 581010-3</b>
-	<b>800-817912A9</b>		1	<b>SHORT BLOCK (NOT SHOWN). INCLUDES ALL ITEMS MARKED WITH AN ASTERISK (*). ALSO REFER TO CRANKSHAFT AND PISTON PAGES. ORIGINAL FORCE P/N C 581010-3</b>
98	F2008		2	HEX CAP SCREW, 1/4 - 20 X 7/8
99	F1708		1	HEX HD. SCREW, 1/4 - 20 X 1-3/8
100	F2000		1	HEX CAP SCREW, 5/16 - 18 X 3/4
101	F8096		1	SPRING LOCKWASHER
102	FA607689		2	BEARING TOWERSHAFT LOWER
103	F428096		1	RETAINER, THERMOSWITCH

# CRANKSHAFT AND PISTON



41620-008

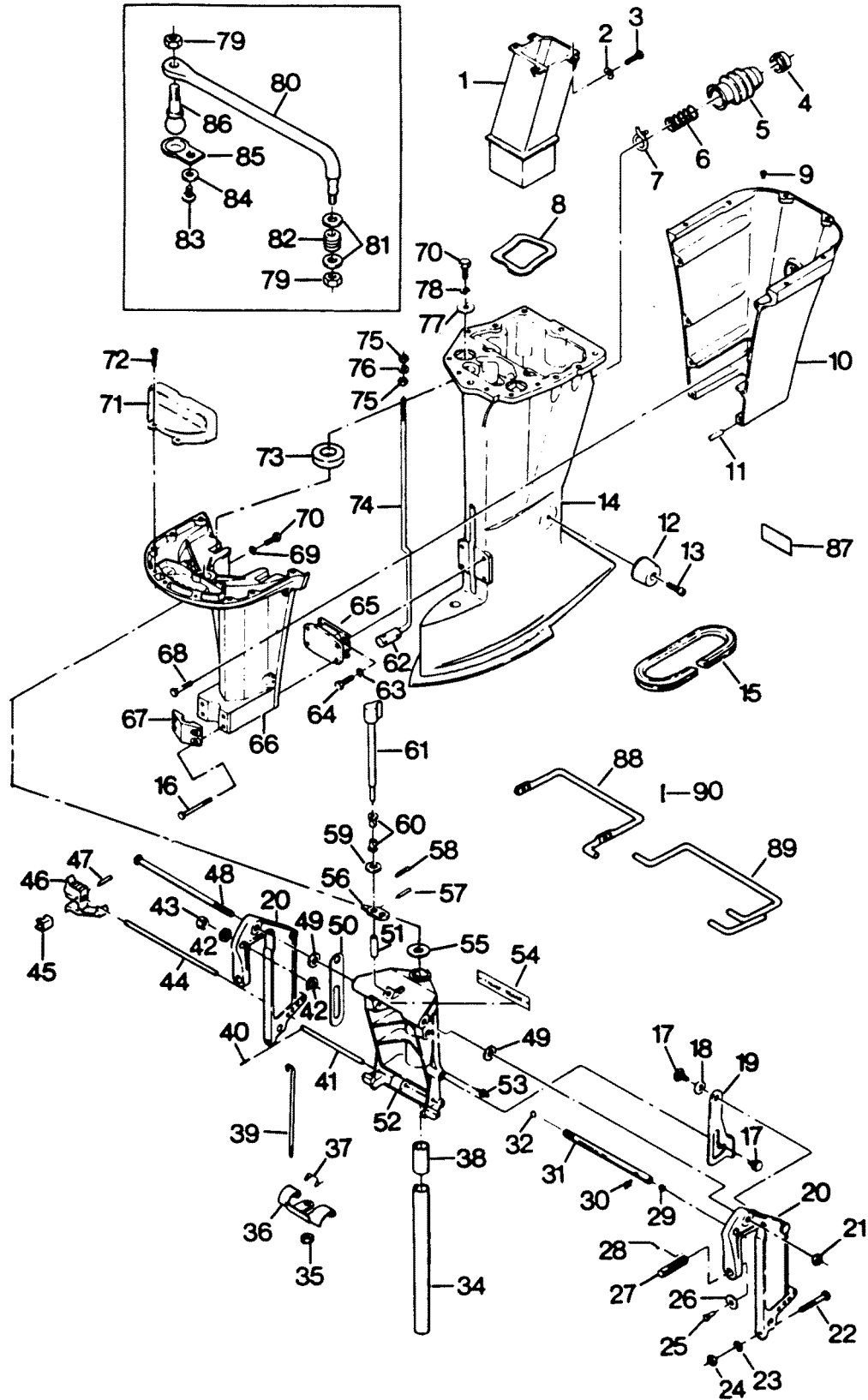
OB 4162

21

# CRANKSHAFT AND PISTON

REF. NO.	PART NO.	SYM.	QTY.	DESCRIPTION
1	FA335260		3	PISTON RINGS (2 PER SET) STANDARD Y (414) 673-9151.
-	<b>FSA335260</b>		<b>3</b>	<b>PISTON RINGS (2 PER SET) .010 OVERSIZE</b>
-	<b>39-818110A1</b>		<b>3</b>	<b>PISTON RINGS (2 PER SET) .030 OVERSIZE</b>
2	700-F372015-3		3	PISTON-STANDARD Y (414) 673-9151. ORIGINAL FORCE P/N A 372015-3
-	<b>700-817988A2</b>		<b>3</b>	<b>PISTON .010 OVERSIZE</b>
-	<b>700-818111A2</b>		<b>3</b>	<b>PISTON .030 OVERSIZE</b>
3	F335215		6	SPACER, PISTON PIN (2 PER PISTON) Y (414) 673-9151.
4	F85017		3	PISTON PIN Y (414) 673-9151.
5	F335217-1		3	BEARING PISTON PIN (26 PER SET) Y (414) 673-9151.
6	600-818052A4		3	CONNECTING ROD Y (414) 673-9151. ORIGINAL FORCE P/N S 366016-4
7	FK85228-1		3	BEARING CAGE W/ROLLER Y (414) 673-9151.
8	F85410		2	SNAP RING Y (414) 673-9151.
9	FA85655-1		2	CRANKSHAFT MAIN BEARING RACE Y (414) 673-9151.
10	F85571		2	BEARING CAGE W/ROLLER Y (414) 673-9151.
11	F316579		2	SEAL, CRANKCASE Y (414) 673-9151.
12	FA523014		1	CRANKSHAFT LOWER MAIN BEARING Y (414) 673-9151.
13	F523146-1		1	SEAL, CRANKSHAFT LOWER Y (414) 673-9151.
14	F85634-2		6	CONNECTING ROD SCREW Y (414) 673-9151.
15	FA85018-2		1	CRANKSHAFT Y (414) 673-9151.
16	F85498-1		1	FLYWHEEL KEY
17	F2A615144		1	CRANKSHAFT BEARING CAGE <b>W/ILLUS. 19</b>
18	F2081		5	HEX SOC. HD. SCREW, 1/4 - 20 X 3/4
19	F523146-1		1	SEAL, CRANKSHAFT UPPER
21	F284659-2		1	CRANKSHAFT THRUST BEARING, UPPER Y (414) 673-9151.
22	F2067		1	PLASTIC CAP
23	F85909-1		3	BEARING LOCATING PIN (PRESSED INTO BLOCK) Y (414) 673-9151.

# MOTOR LEG



41620-009

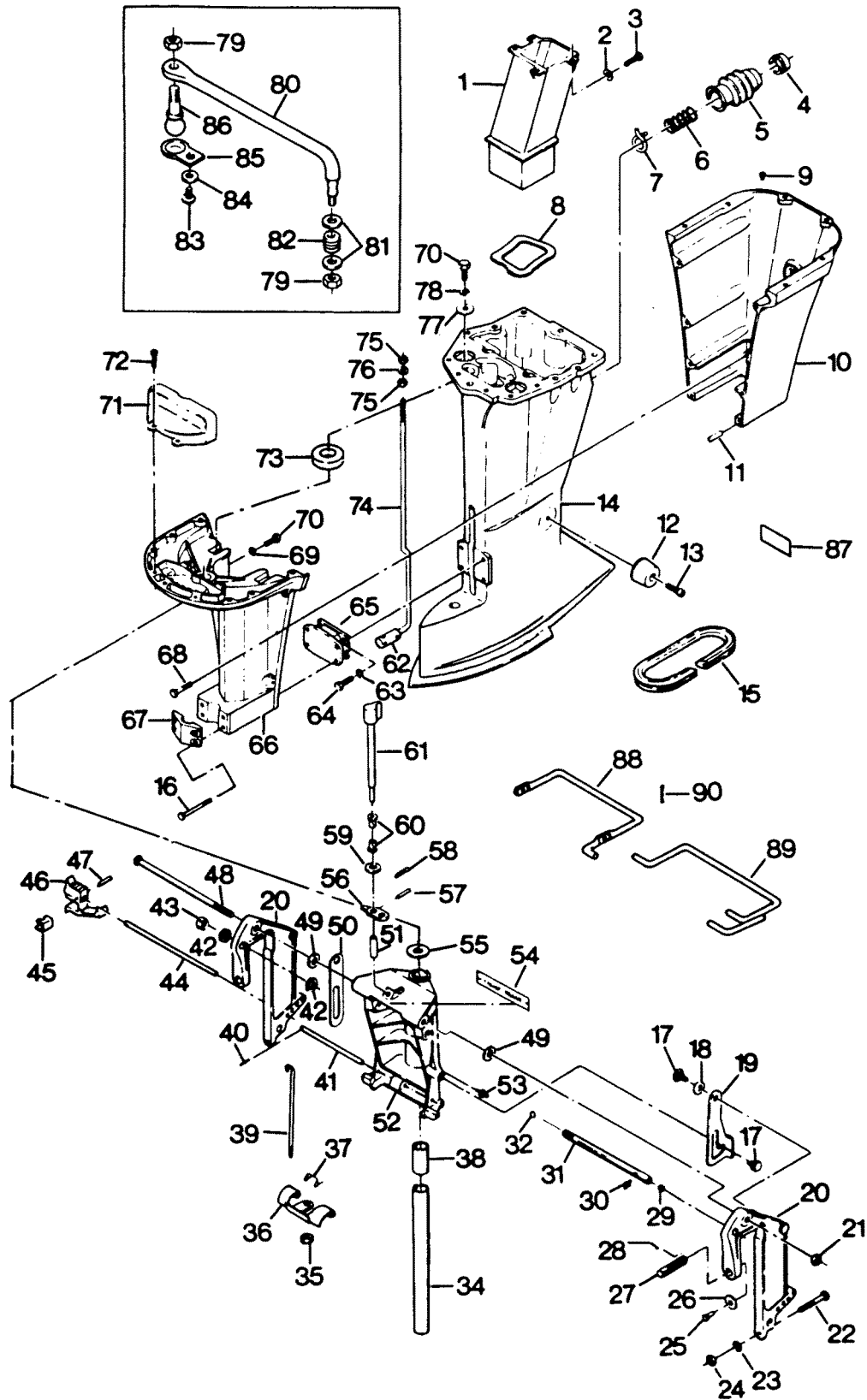
OB 4162

# MOTOR LEG

REF. NO.	PART NO.	SYM.	QTY.	DESCRIPTION
1	F85660-1		1	EXHAUST TUBE
2	F8083		4	SPRING LOCKWASHER
3	F1864		4	HEX SLOT HD. SCREW, 1/4 - 20 X 3/4
4	F85258		1	INSERT
5	F85130		1	BOOT, IDLE EXHAUST
6	F85380		1	SPRING
7	F85772		1	CLAMP
8	F439736		1	SEAL EXHAUST TUBE
9	F1729		2	PLUG
10	F178145-4		1	MOTOR LEG COVER, REAR
11	F1664		2	SPRING PIN
12	F438962		2	SHOCK MOUNT SLIDE
13	F1263		2	HEX SOCKET HD. CAP SCREW, 5/16 - 18 X 9/16
14	F523133-2		1	MOTOR LEG
15	F178323		1	SEAL, MOTOR LEG
16	F1696		4	HEX BOLT, 5/16 - 18 X 1-3/4
17	F85350-1		4	TILT STOP PIVOT
18	F1666		2	BOWED SPRING WASHER
19	F85541-1		1	TILT LOCK
20	1400-817958A6		2	STERN BRACKET
21	F7012		1	LOCK NUT, 1/2 - 20
22	F2125		2	HEX HD. SCREW, 3/8 - 16 X 3
23	F1904		2	PLAIN WASHER
24	F1346		2	HEX NUT, 3/8 - 16
25	F353480		2	STUD
26	F84074		2	CLAMP SCREW FOOT
27	F474073-1		2	CLAMP SCREW
28	F8538		2	SPRING PIN
29	F9052		1	PLUG
30	F523274		1	GREASE FITTING
31	F511125-2		1	TUBE, STEERING SUPPORT
32	F316599		1	SEAL, STEERING SUPPORT TUBE
34	FS85019		1	KINGPIN
35	F1669		1	LOCK NUT
36	F369349		1	REVERSE LOCK
37	F85300		1	REVERSE LOCK SPRING
38	F438169		2	BEARING
39	F369510		1	LINK
40	F1744		1	SPRING PIN
41	F177350		1	REVERSE LOCK PIN
42	F523280		2	NUT, STEERING SUPPORT TUBE
43	F9018		1	CAP
44	FA438113		1	STERN BRACKET LOCK BAR <b>WILLUS. 45, 46 AND 47</b>

CONTINUED ON NEXT PAGE ➡

# MOTOR LEG



41620-009

OB 4162

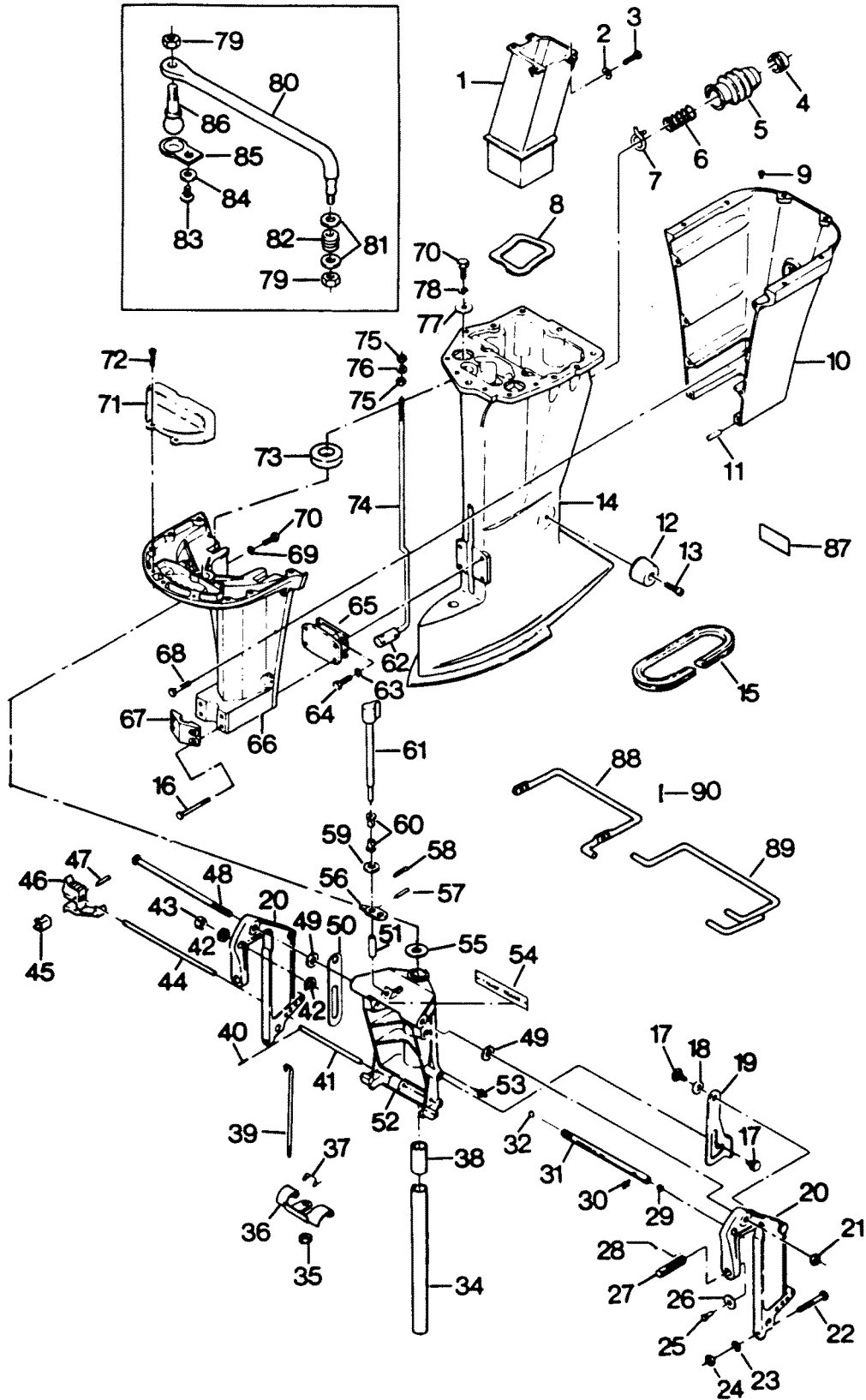


# MOTOR LEG

REF. NO.	PART NO.	SYM.	QTY.	DESCRIPTION
45	F286461		1	SPRING LOCK BAR HANDLE
46	F433114		1	HANDLE, LOCK BAR
47	F1744		1	SPRING PIN
48	F85037-1		1	STERN BRACKET PIVOT BOLT
49	F84286-1		4	FRICITION WASHER
50	F85426		1	TILT STOP
51	F483884		1	BEARING
52	817783A5		1	SWIVEL BRACKET <b>W/ILLUS. 38 AND 53 ORIGINAL FORCE P/N A 369072-2</b>
53	F213274		3	GREASE FITTING
54	F529390-1		1	DECAL, REVERSE LOCK
55	F84011		1	WASHER
56	F369364		1	REVERSE LOCK ARM
57	F1836		1	SPRING PIN
58	F1014		1	COTTER PIN
59	F8094		1	PLAIN WASHER
60	F197813		2	BEARING
61	817946A2		1	HANDLE AND SHAFT <b>W/ILLUS. 60 AND LITERATURE ORIGINAL FORCE P/N K 369827-1</b>
62	F85704		1	COUPLER, GEARSHIFT ROD, UPPER
63	F8096		4	SPRING LOCKWASHER
64	F1822		4	HEX BOLT, 5/16 - 18 X 7/8
65	F438346		1	SHOCK MOUNT, LOWER
66	FA85135-4		1	LEG COVER, FRONT <b>W/ILLUS. 68</b>
67	F85606		1	KINGPIN CAP
68	F2030		6	HEX HD. SCREW, 1/4 - 20 X 1-1/4
69	F1703		2	SPRING LOCKWASHER
70	F1871		4	HEX HD. SCREW, 3/8 - 16 X 3/4
71	F85779-1		1	BAFFLE, AIR INTAKE
72	F1912		4	HEX HD. SCREW, 10 - 24 X 1/2
73	F85965		2	SHOCK MOUNT, UPPER
74	F85615-1		1	GEAR SHIFT ROD, UPPER
75	F2108		2	LOCK NUT, 5/16 - 18
76	F1987		1	PLAIN WASHER
77	FA85355-1		2	WASHER SHOCK MOUNT UPPER W/WASHER
78	F2014		2	PLAIN WASHER
79	F2093		2	STOP NUT 3/8 - 24
81	F8038		2	PLAIN WASHER
82	F523300-1		1	SPRING
83	F1280		1	PAN HD. SCREW, 8 - 32 X 1/4
84	F8080		1	SPRING LOCKWASHER
85	F523930		1	RETAINER
86	F523273		1	STEERING BALL STUD
87	F598387		1	DECAL, POWER FLOW

CONTINUED ON NEXT PAGE ➡

# MOTOR LEG



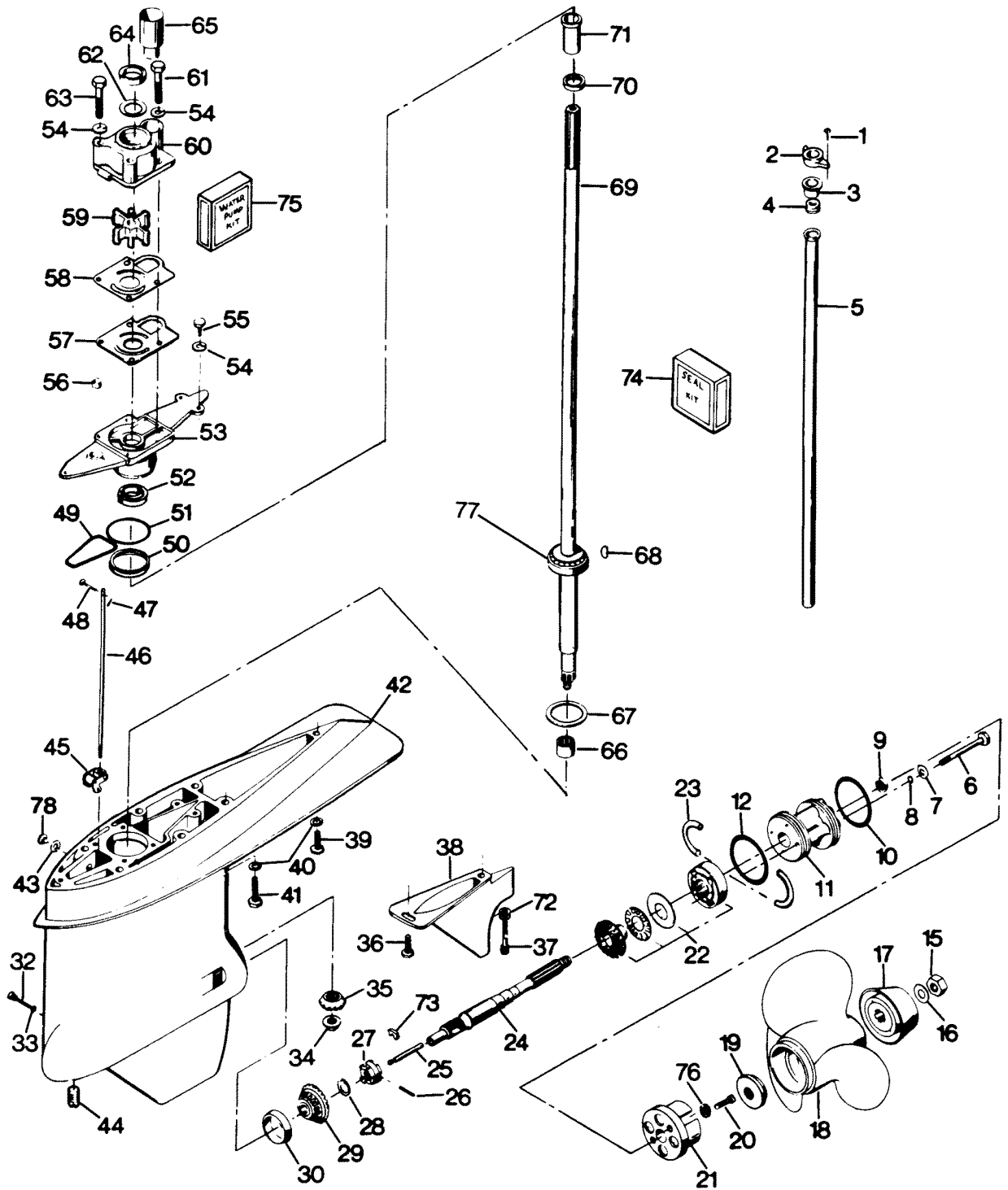
41620-009

OB 4162

# MOTOR LEG

REF. NO.	PART NO.	SYM.	QTY.	DESCRIPTION
88	F5H115		1	TRAILERING BRACKET (W/OUT POWER TRIM)
89	F5H179		1	TRAILERING BRACKET (W/POWER TRIM)
90	F525629		1	COTTER PIN FOR 5H179

# GEAR HOUSING



41620-010

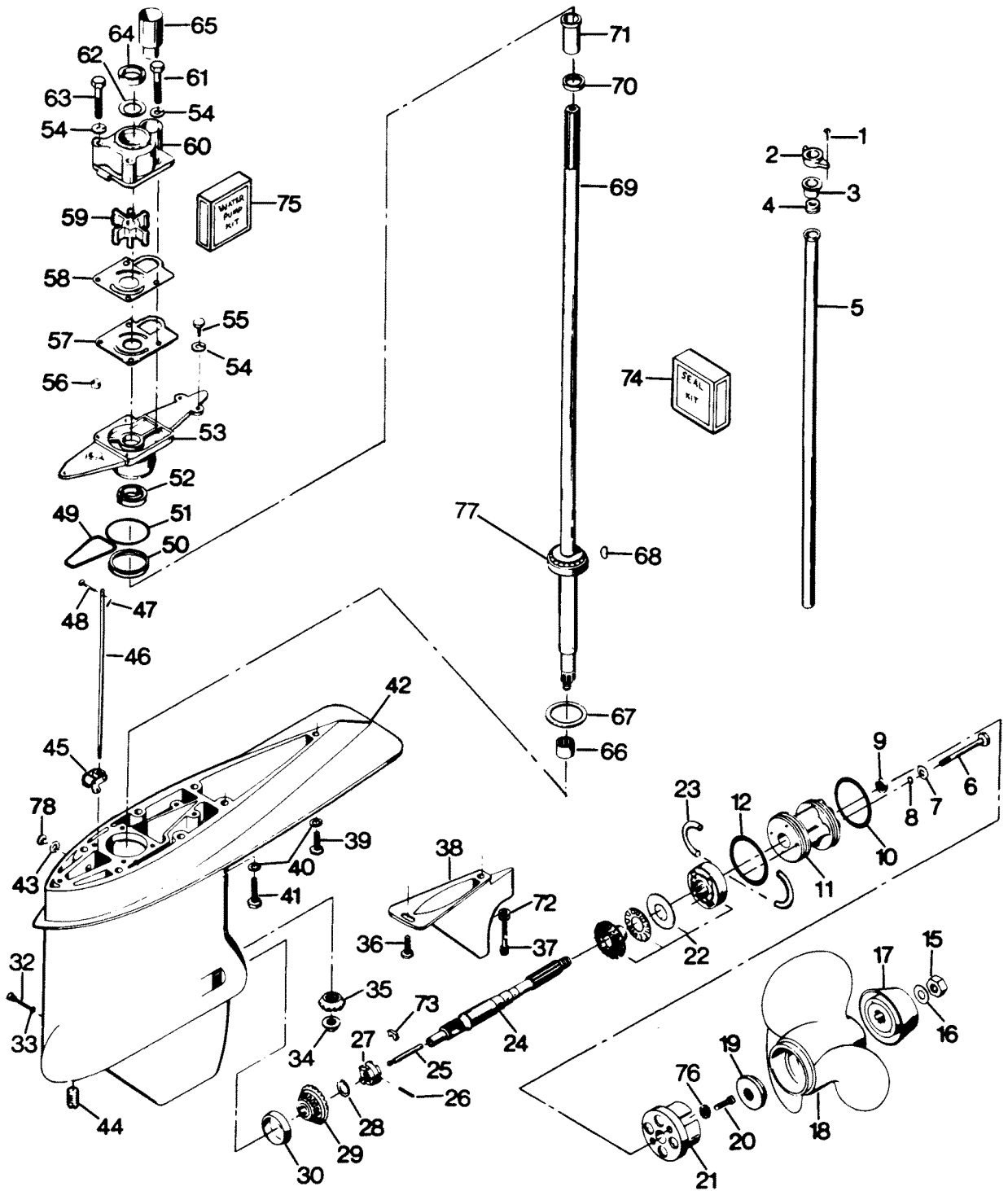
OB 4162

# GEAR HOUSING

REF. NO.	PART NO.	SYM.	QTY.	DESCRIPTION
1	F1705		2	HEX CAP SCREW, 1/4 - 20 X 3/4 S.S.
2	F85117		1	BRACKET, WATER LINE
3	F84342		1	SEAL, INLET WATER LINE UPPER
4	F523899		1	GROMMET, WATER ALINE
5	F523244		1	INLET WATER LINE
6	F1885		4	HEX CAP SCREW, 5/16 - 18 X 4-1/4 S.S.
7	F1907		4	PLAIN WASHER, S.S.
8	F50342-1		4	SEAL, BEARING CAGE BOLTS
9	F506118		1	SEAL, PROPELLER SHAFT
10	F24278		1	SEAL, O-RING PROPELLER SHAFT SPOOL
11	F2A523239		1	SPOOL, PROPELLER SHAFT BEARING <b>W/SEAL AND ILLUS. 9</b>
12	F84305		1	SEAL, PROPELLER SHAFT BEARING SPOOL
15	F1788		1	STOP NUT
16	F1866		1	PLAIN WASHER
17	F532299		1	WASHER, PROPELLER SPLINE
18	FPS623		1	PROPELLER (13 X 17) MODELS 856X7B & 856Y7B
-	<b>FPS625</b>		<b>1</b>	<b>PROPELLER (13 X 19) MODELS 856F7B, C856F7B, 858F7B &amp; 858V7B</b>
19	F523099-1		1	SPACER, PROPELLER
20	F1112		2	FILL HD. SCREW, 1/4 - 20 X 7/8
21	FA523485		1	ANTI-CORROSION ANODE <b>W/LITERATURE</b>
22	F2A498662		1	BEVEL GEAR REAR W/BEARING CAGE, SPACER AND BEARING <b>Y (414) 673-9151.</b>
23	F523411		2	RETAINING RING
24	44-817962A2		1	PROPELLER SHAFT <b>Y (414) 673-9151. ORIGINAL FORCE P/N K 523098-1</b>
25	F84871-1		1	PIN, GEAR SHIFT <b>Y (414) 673-9151.</b>
26	F1713		1	SPRING PIN
27	F84521-2		1	CLUTCH <b>Y (414) 673-9151.</b>
28	F1936		A/R	SPACER, BEVEL GEAR FRONT .059
-	<b>F1937</b>		<b>A/R</b>	<b>SPACER, BEVEL GEAR FRONT .062</b>
-	<b>F1938</b>		<b>A/R</b>	<b>SPACER, BEVEL GEAR FRONT .065</b>
-	<b>F1939</b>		<b>A/R</b>	<b>SPACER, BEVEL GEAR FRONT .068</b>
-	<b>F1940</b>		<b>A/R</b>	<b>SPACER, BEVEL GEAR FRONT .071</b>
-	<b>F1941</b>		<b>A/R</b>	<b>SPACER, BEVEL GEAR FRONT .074</b>
-	<b>F1942</b>		<b>A/R</b>	<b>SPACER, BEVEL GEAR FRONT .077</b>
-	<b>F2113</b>		<b>A/R</b>	<b>SPACER, BEVEL GEAR FRONT .080</b>
-	<b>F2114</b>		<b>A/R</b>	<b>SPACER, BEVEL GEAR FRONT .083</b>
-	<b>F2115</b>		<b>A/R</b>	<b>SPACER, BEVEL GEAR FRONT .086</b>
-	<b>F2116</b>		<b>A/R</b>	<b>SPACER, BEVEL GEAR FRONT .089</b>
-	<b>F2121</b>		<b>A/R</b>	<b>SPACER, BEVEL GEAR FRONT .057</b>
-	<b>F2122</b>		<b>A/R</b>	<b>SPACER, BEVEL GEAR FRONT .054</b>
29	43-818062A3		1	BEVEL GEAR FRONT W/BEARING <b>Y (414) 673-9151. ORIGINAL FORCE P/N 2A 498023-3</b>

CONTINUED ON NEXT PAGE ➡

# GEAR HOUSING



41620-010

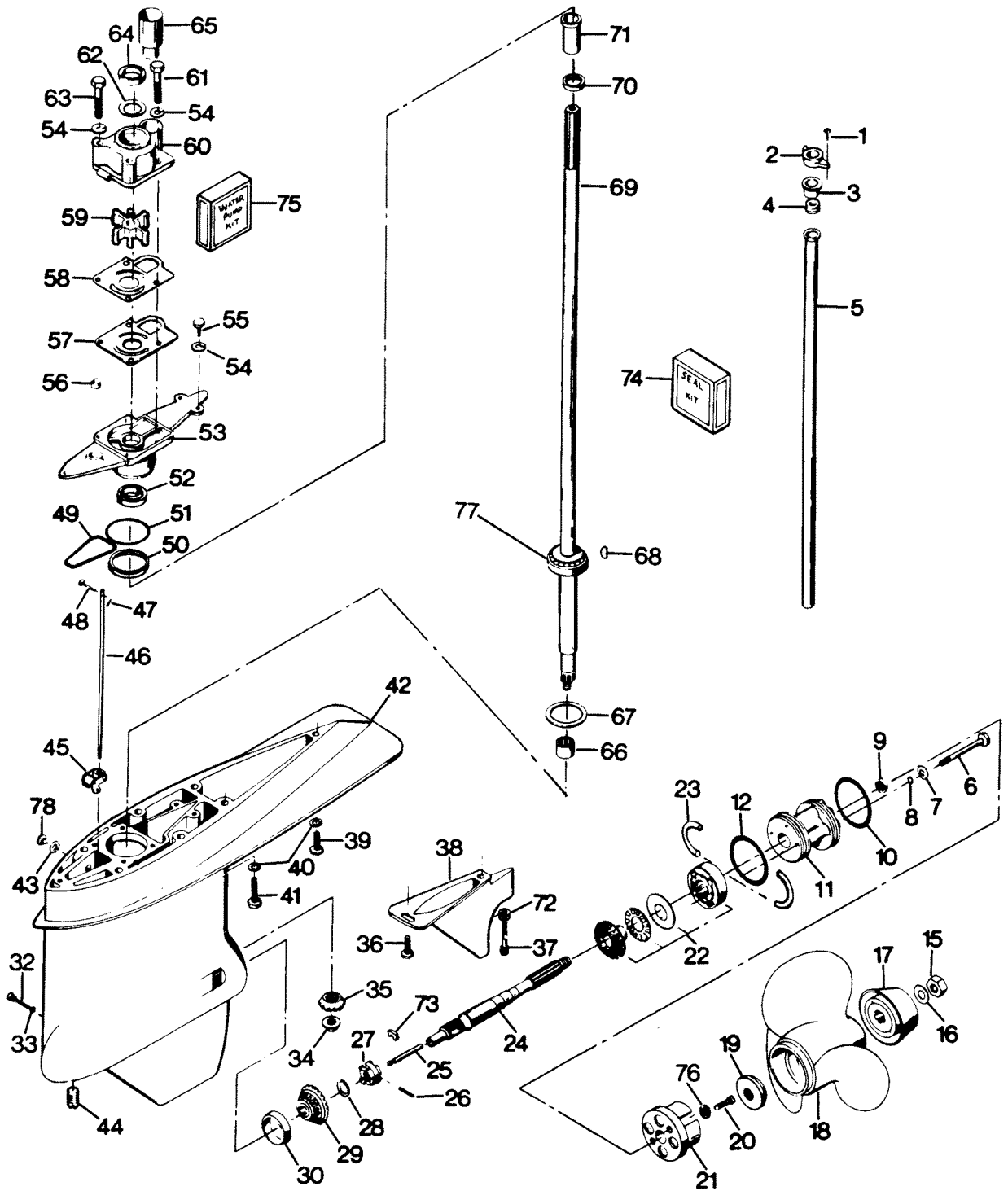
OB 4162

# GEAR HOUSING

REF. NO.	PART NO.	SYM.	QTY.	DESCRIPTION
30	F523813		1	BEARING CUP Y (414) 673-9151.
32	F498891		1	PIN, GEAR SHIFT ARM
33	F498618		1	SEAL
34	F523188		1	NUT, BEVEL PINION RETAINING
35	43-817830A2		1	BEVEL PINION GEAR Y (414) 673-9151. ORIGINAL FORCE P/N A 498266-2
36	F438930		1	RETAINER, SNOOT
37	F1994		1	HEX SOCKET HD. CAP SCREW, 5/16 - 18 X 1
38	F523116-1		1	EXHAUST SNOOT
39	F1858		1	HEX CAP SCREW, 5/16 - 18 X 1
40	F8096		7	SPRING LOCKWASHER
41	F1491		6	HEX CAP SCREW, 5/16 - 18 X 1
42	FA523054		1	GEAR HOUSING W/DRIVESHAFT BEARING LWR, ILLUS. 30, 31, 43 & 44 Y (414) 673-9151.
-	<b>FC663054</b>		<b>1</b>	<b>GEAR HOUSING COMPLETE. INCLUDES ALL ITEMS MARKED WITH AN ASTERISK (*).</b>
43	F8077		2	WASHER, GEAR HOUSING PLUG
44	FA523109		1	PLUG, GEAR HOUSING
45	FA84621-1		1	COUPLING, GEAR SHIFT ARM W/BUSHING
46	F523705		1	GEAR SHIFT ROD, LOWER
47	F1015		1	COTTER PIN
48	F85372		1	PIN, GEAR SHIFT ROD, LOWER
49	F523555		1	SEAL, O-RING - GEAR HOUSING COVER
50	F523961		1	CRUSH RING
51	F74305		1	SEAL, DRIVESHAFT BEARING CAGE
52	F506118		1	SEAL, DRIVESHAFT
53	F2A550706		1	GEAR HOUSING COVER <b>W/ILLUS. 52</b>
54	F8083		7	SPRING LOCKWASHER
55	F1999		3	HEX CAP SCREW, 1/4 - 20 X 7/8 S.S.
56	F338618-1		1	SEAL, GEAR SHIFT ROD
57	F523031		1	GASKET, WATER PUMP
58	F523562		1	WATER PUMP BACK PLATE
59	F523065-1		1	WATER PUMP IMPELLER
60	46-817853A1		1	WATER PUMP BODY <b>W/ILLUS. 62, 64 AND 65 ORIGINAL FORCE P/N A 523060-1</b>
61	F1990		2	HEX CAP SCREW, 1/4 - 20 X 1-5/8 S.S.
62	F480388		1	DISC, WATER PUMP LOCATING
63	F1425		2	HEX CAP SCREW, 1/4 - 20 X 2-5/8 S.S.
64	F351307		1	SEAL, WATER PUMP
65	FA523735		1	SEAL, INLET WATER LINE LOWER <b>W/LITERATURE</b>
66	F523057		1	BEARING, DRIVESHAFT LOWER Y (414) 673-9151.
67	F9106		A/R	SHIM, DRIVESHAFT BEARING UPPER .003 - BRASS
-	<b>F9095</b>		<b>A/R</b>	<b>SHIM, DRIVESHAFT BEARING UPPER .005 - SILVER</b>
-	<b>F9097</b>		<b>A/R</b>	<b>SHIM, DRIVESHAFT BEARING UPPER .010 - BLACK</b>

CONTINUED ON NEXT PAGE ➡

# GEAR HOUSING



41620-010

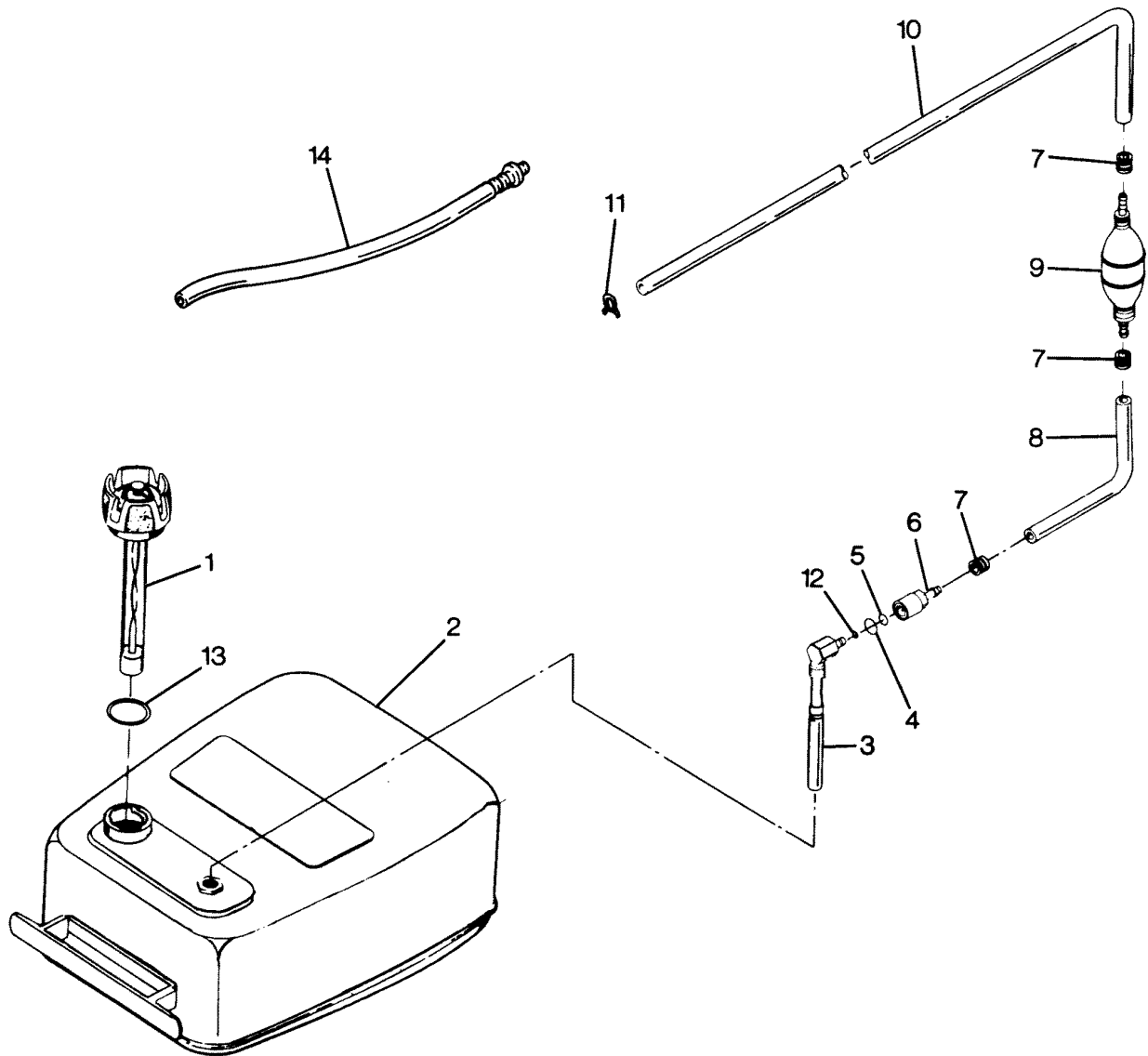
OB 4162



# GEAR HOUSING

REF. NO.	PART NO.	SYM.	QTY.	DESCRIPTION
68	F523498		1	DRIVE KEY, WATER PUMP
69	45-817967A6		1	DRIVESHAFT Y (414) 673-9151. ORIGINAL FORCE P/N K 616128-2
70	F438271		1	RETAINER, CRANKSHAFT SPLINE SEAL
71	F438129		1	SEAL, DRIVESHAFT SPLINE
72	F1856		2	PLAIN WASHER
73	F90619-2		1	YOKE
74	FK1063-2		1	SEAL KIT INCLUDES ITEMS MARKED WITH A *
-	F50342-1		4	BEARING CAGE BOLT SEAL
-	F506118		1	PROPELLER SHAFT SEAL
-	F24278		1	PROPELLER SHAFT SPOOL SEAL
-	F84305		1	PROPELLER SHAFT SPOOL SEAL
-	F498618		1	GEAR SHIFT ARM PIN SEAL
-	F8077		3	WASHER
-	F523555		1	GEAR HOUSING COVER SEAL
-	F74305		1	GEAR HOUSING COVER SEAL
-	F84307-1		1	DRIVE SHAFT SEAL
-	F338618-1		1	GEAR SHIFT ROD SEAL
75	FK1069		1	WATER PUMP KIT INCLUDES ITEMS MARKED WITH A **
-	F1425		2	HEX CAP SCREW, 1/4 - 20 X 5/8 S.S.
-	F1990		2	HEX CAP SCREW, 1/4 - 20 X 1-5/8 S.S.
-	F8083		4	SPRING LOCKWASHER
-	F523031		1	GASKET, WATER PUMP
-	F523065-1		1	IMPELLER
-	F523498		1	KEY
-	F523562		1	PLATE, WATER PUMP
-	46-817853A1		1	WATER PUMP W/ILLUS. 62, 64 AND 65 ORIGINAL FORCE P/N A 523060-1
76	F8083		2	LOCKWASHER
77	F522056		1	BEARING Y (414) 673-9151.
78	F50109		2	PLUG, GEAR HOUSING

# FUEL TANK AND LINE



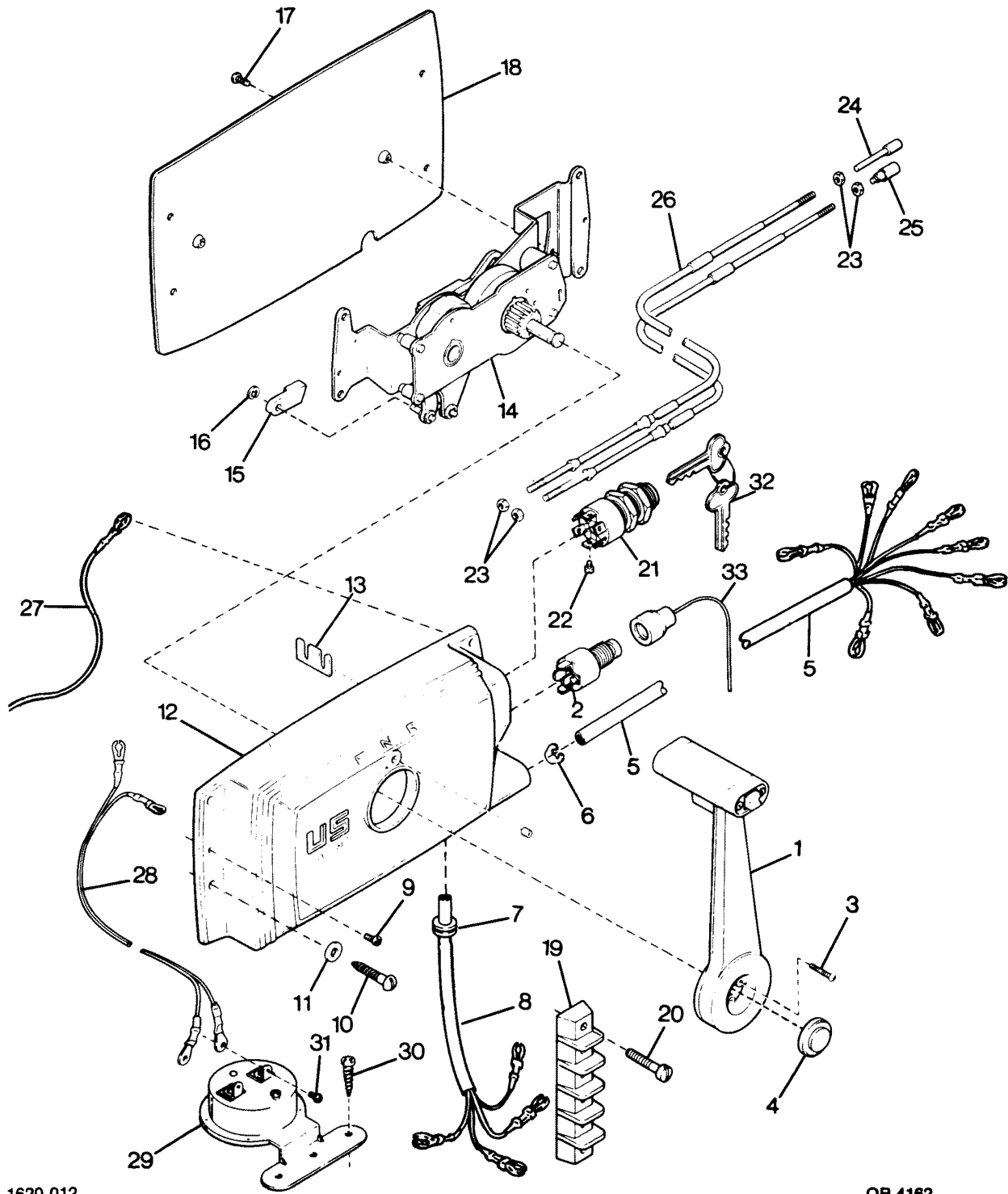
41620-011

OB 4162

## FUEL TANK AND LINE

REF. NO.	PART NO.	SYM.	QTY.	DESCRIPTION
1	F409251-1		1	GAUGE CAP (CANADA) (FORCE MODELS)
2	F5H026-1		1	FUEL TANK ACC. ITEM (FORCE MODELS)
3	F485755-1		1	FUEL TANK ADAPTER
4	F17816		1	SEAL, FUEL LINE COUPLER (LARGE)
5	F17815		1	SEAL, FUEL LINE COUPLER (SMALL)
6	F197787-3		1	FUEL LINE COUPLER
7	F298788		3	FERRULE
8	FA84754-1		1	FUEL LINE SHORT <b>W/ILLUS. 7</b>
9	89396A38		1	PRIME BULB <b>W/LITERATURE ORIGINAL FORCE P/N S 387766-1</b>
10	32-817738A1		1	FUEL LINE LONG <b>W/ILLUS. 7 AND 11 ORIGINAL FORCE P/N A 197752-1</b>
11	F97772		1	FUEL LINE CLAMP
12	F17817		1	SEAL, FUEL TANK ADAPTER
-	<b>F224394-3</b>		1	<b>DECAL, FUEL MIXTURE (USA) (NOT SHOWN)</b>
-	<b>FC311398</b>		1	<b>DECAL, FUEL MIXTURE (CANADA) (NOT SHOWN)</b>
13	F17818		1	GASKET
-	<b>F310398</b>		1	<b>DECAL, FUEL CAUTION (NOT SHOWN)</b>
14	FA612754		1	FUEL LINE, SHORT (BAYLINER MODELS)
-	<b>FS409752</b>		1	<b>FUEL LINE COMPLETE (FORCE MODELS). INCLUDES ALL ITEMS MARKED WITH AN ASTERISK (*)</b>
-	<b>FA630752</b>		1	<b>FUEL LINE COMPLETE (BAYLINER MODELS). INCLUDES ALL ITEMS MARKED WITH AN ASTERISK (*)</b>

# REMOTE CONTROL



1620-012

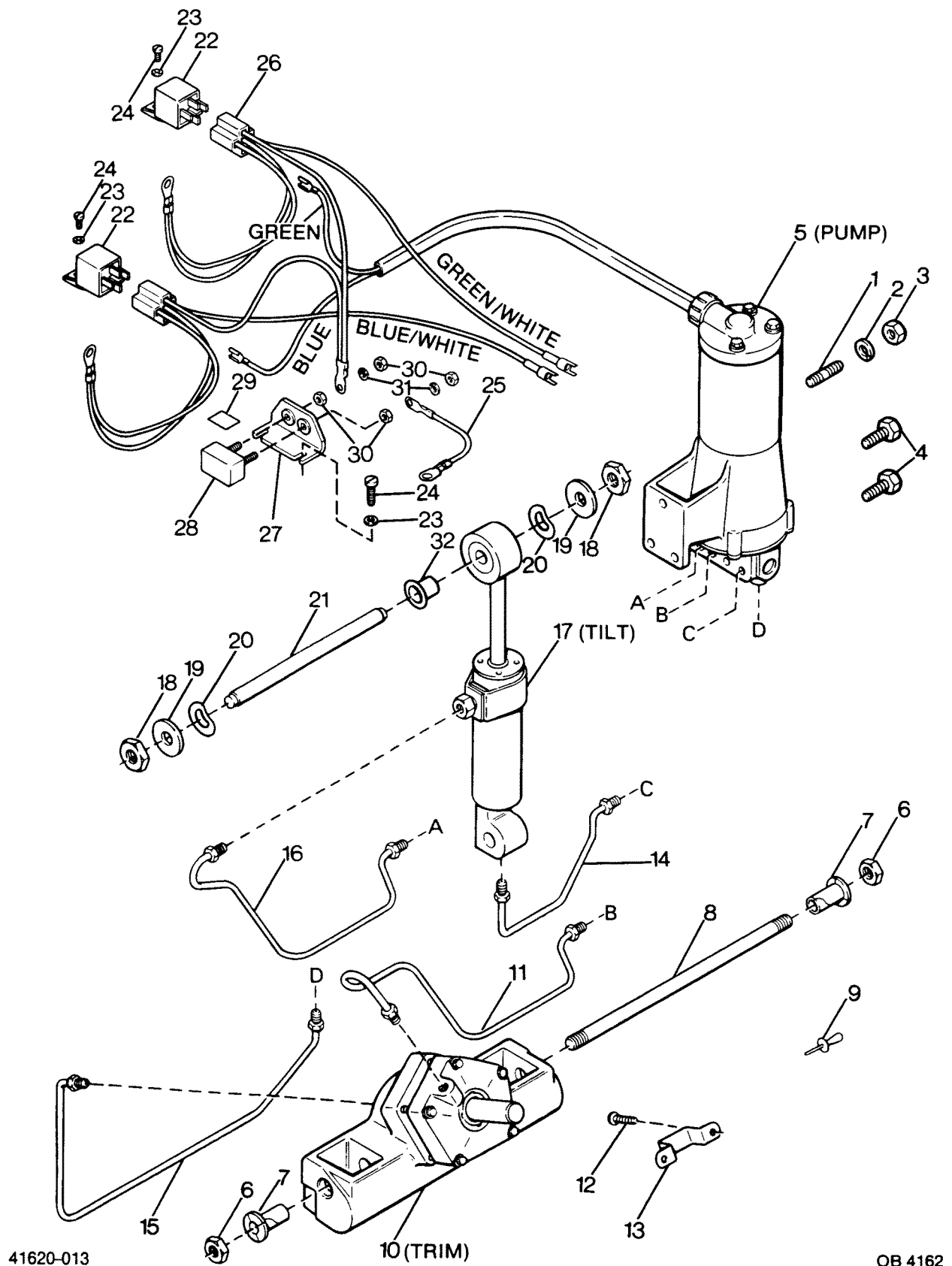
OB 4162

23

# REMOTE CONTROL

REF. NO.	PART NO.	SYM.	QTY.	DESCRIPTION
1	F660611		1	LEVER W/ TRIM SWITCH
2	F660602		1	SWITCH (EMERGENCY KILL)
3	F660165		4	SCREW (LEVER TO ACTUATOR)
4	F660332		1	PLUG (WARM-UP BUTTON)
5	F660843		1	CABLE (15-1/2' REMOTE ELECT.)
-	<b>F663843</b>		-	<b>CABLE (19' REMOTE ELECT. - 10 WIRE)</b>
-	<b>F664843</b>		-	<b>CABLE (22' REMOTE ELECT. - 10 WIRE)</b>
-	<b>F591843</b>		-	<b>CABLE (25' REMOTE ELECT. - 10 WIRE)</b>
-	<b>F5H193</b>		-	<b>CABLE (7' EXTENSION FOR 10 WIRE REMOTE ELECTRIC CABLE)</b>
6	F660446		1	CLAMP (REMOTE ELECT. CABLE)
7	F660504		1	GROMMET (REMOTE ACCESSORY CABLE)
8	F660353		1	CABLE ACCESSORY
9	F660480		2	SCREW (COVER TO ACTUATOR)
10	F660732		4	SCREW (CONTROL MOUNTING)
11	F660595		4	WASHER (CONTROL MTG. SCREWS)
12	F660995		1	COVER (ASSEMBLY-REMOTE CONTROL)
13	F660642		1	RETAINER (REMOTE CABLE)
14	F660327		1	ACTUATOR (ASSEMBLY-REMOTE CONTROL)
15	F660141		2	CONNECTOR (CABLE-REMOTE CONTROL)
16	F660411		2	RING (RETAINING)
17	F660751		2	SCREW (PLATE TO ACTUATOR)
18	F660911		1	PLATE (REMOTE CONTROL)
19	F660497		1	BLOCK (TERMINAL)
20	F1741		2	SCREW (TERMINAL BLOCK)
21	F5H077		1	SWITCH (ACCESSORY ITEM) <b>W/ITEMS 22 AND 32</b>
22	F1280		6	SCREW (IGN. SWITCH WIRE TERMINAL)
23	F1513		4	STOP NUTS (CABLE END)
24	F654976		1	CONNECTOR (THROTTLE)
25	F58685-2		1	CONNECTOR (SHIFT)
26	F5H190/___		1	REMOTE CONTROL CABLE (SPECIFY LENGTH - X)
27	F660664		1	WIRE (IGN. SWITCH TO ACC. TERMINAL BLOCK)
28	F404841		1	CABLE, OVERHEAT BUZZER
29	F5H073		1	BUZZER, OVERHEAT (ACCESSORY ITEM)
30	F1741		2	SCREW, PAN HD., 8-3/4
31	F1645		8	SCREW, RD. HD., SELF-TAPPING, 6-32 X 1/4
32	817782--1		1	IGNITION KEY - NO LETTER OR STAMPED A
-	<b>817883--1</b>		<b>1</b>	<b>IGNITION KEY - STAMPED B</b>
-	<b>817891--1</b>		<b>1</b>	<b>IGNITION KEY - STAMPED C</b>
-	<b>817928--1</b>		<b>1</b>	<b>IGNITION KEY - STAMPED D</b>
-	<b>817929--1</b>		<b>1</b>	<b>IGNITION KEY - STAMPED E</b>
33	F660329		1	LANYARD, KILL SWITCH
-	<b>F5H198</b>		-	<b>REMOTE CONTROL COMPLETE - WIRED FOR POWER TRIM</b>

# POWER TRIM UNIT



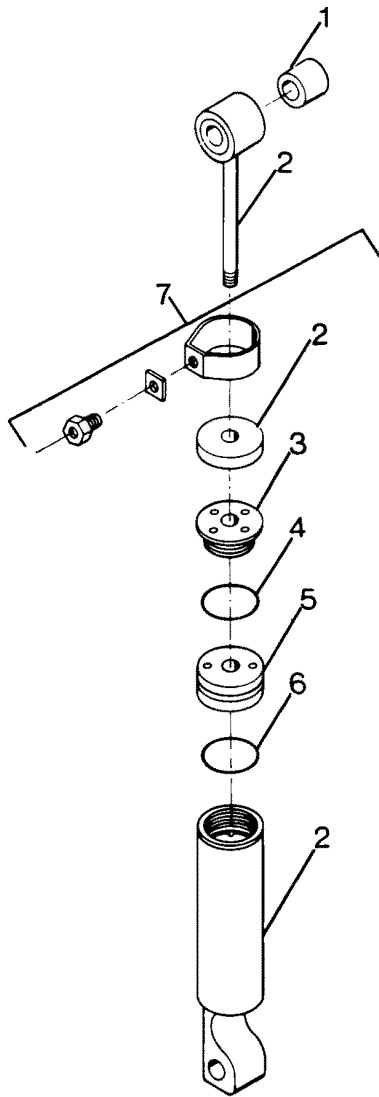
41620-013

OB 4162

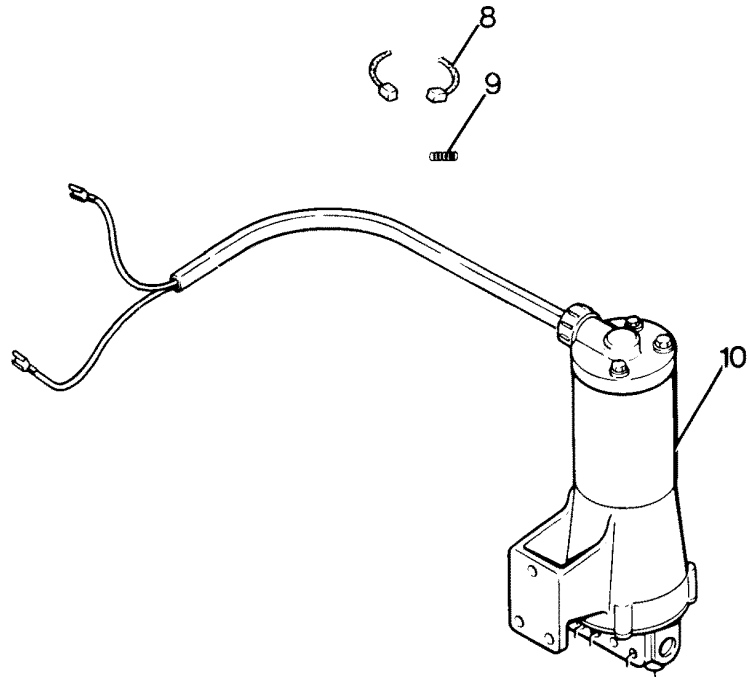
# POWER TRIM UNIT

REF. NO.	PART NO.	SYM.	QTY.	DESCRIPTION
1	F660273		1	STUD
2	F8096		1	WASHER, 5/16 LOCK
3	F1515		1	NUT, 5/16-18 HEX
4	F1822		2	SCREW, 5/16-18 X 7/8 HEX
5	F660541		1	PUMP/MOTOR ASSEMBLY
6	F7053		2	NUT, 5/8-18 STOP
7	F449362		2	BEARING, LOWER SHAFT
8	F449632		1	SHAFT, TRIM MOUNT
9	F1966		1	PLUG, PLASTIC
10	818055A3		1	TRIM CYLINDER COMPLETE
11	F660254		1	LINE, UPPER HYDRAULIC TRIM CYLINDER
12	F1734		2	SCREW, 1/4-20 X 1/2 W/ SPRING LOCKWASHER
13	F449354		1	BRACKET, THRUST
14	F660754		1	LINE, LOWER HYDRAULIC TILT CYLINDER
15	F660253		1	LINE, LOWER HYDRAULIC TRIM CYLINDER
16	F660758		1	LINE, UPPER HYDRAULIC TILT CYLINDER
17	FS654381		1	TILT CYLINDER COMPLETE
18	F1931		2	NUT, 1/2-20 STOP
19	F1710		2	WASHER, PLAIN
20	F1711		2	WASHER, BOWED SPRING
21	F449889		1	SHAFT, UPPER SHOCK
22	F660917		2	RELAY, POWER TRIM
23	F8011		4	WASHER, #10
24	F1760		4	SCREW, #10-24 X 3/8 PAN HM
25	F640583-1		1	WIRE, RED
26	FA663744		1	WIRING HARNESS
27	F91446-1		1	BRACKET
28	F510460		1	BREAKER, CIRCUIT
29	F510374-1		1	DECAL, CIRCUIT BREAKER
30	F1513		4	NUT, #10-32 HEX
31	F1975		2	WASHER, #10 SPRING LOCK
32	F178344		2	BUSHING, SHOCK ABSORBER
-	<b>F5H196</b>		<b>0</b>	<b>POWER TRIM UNIT COMPLETE</b>

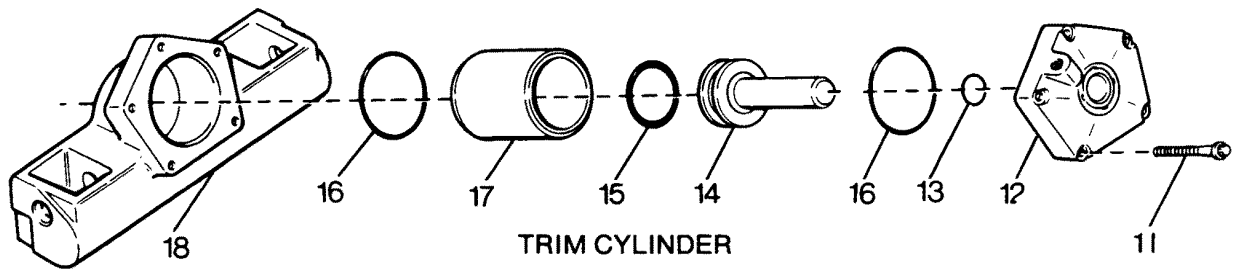
# PARTS BREAKDOWN TILT CYLINDER, TRIM CYLINDER, MOTOR & PUMP



TILT CYLINDER



MOTOR & PUMP



TRIM CYLINDER

41620-014

OB 4162



# PARTS BREAKDOWN TILT CYLINDER, TRIM CYLINDER, MOTOR & PUMP

REF. NO.	PART NO.	SYM.	QTY.	DESCRIPTION
1	F178344		1	BUSHING
3	FA654055		1	HEAD ASSEMBLY
4	F654618		1	"O" RING
5	FA654015		1	PISTON ASSEMBLY
6	FA17561-1		1	"O" RING
7	F2A654983		1	CYLINDER BEND ASSEMBLY
8	F17611		1	BRUSH SET
9	F17500		1	SPRING SET, BRUSH
11	F1959		5	SCREW, 1/4-20 X 1-3/4, SS
12	817802A3		1	COVER
13	F449342		1	SEAL, PISTON SHAFT
14	FA449015		1	PISTON
15	F449278		1	PISTON SEAL
16	F40278		2	SEAL, CYLINDER
17	F449010		1	CYLINDER
18	F449545-2		1	CYLINDER HOUSING

## SPECIAL TOOLS - TUNE-UP

REF. NO.	PART NO.	SYM.	QTY.	DESCRIPTION
-	FTA2937-1		0	TIMING TOOL TO ADJUST TIMING POINTER.
-	FT8978		0	TIMING LIGHT FOR ADJUSTING IGNITION TIMING.
-	FT8948-1		0	PULLER TO REMOVE FLYWHEEL.

## SPECIAL TOOLS - POWER HEAD

REF. NO.	PART NO.	SYM.	QTY.	DESCRIPTION
-	FT2998		0	TORQUE WRENCH (0 - 100 LBS./FT.) TO TORQUE FLYWHEEL NUT.
-	FT2999		0	TORQUE WRENCH (0 - 600 LBS./FT.) TO TORQUE ALL FASTENERS.
-	FT2991		0	CARBON BRUSH TO REMOVE CARBON DEPOSITS FROM POWER HEAD.
-	FT8914		0	SEAL REMOVER TO REMOVE UPPER CRANKSHAFT BEARING CAGE SEAL.
-	FT8903		0	SEAL INSTALLER TO INSTALL UPPER CRANKSHAFT BEARING CAGE SEAL.
-	FT8907		0	DRIVER HANDLE USED WITH T 8903.
-	FT8925		0	SEAL INSTALLER TO INSTALL LOWER CRANKSHAFT SEAL.
-	FT2953		0	SOCKET TO TORQUE CONNECTING ROD SCREWS.
-	FT2990		0	PISTON PIN TOOL TO REMOVE AND INSTALL PISTON PINS.
-	FT2996		0	RING COMPRESSOR TO INSTALL PISTONS IN CYLINDER.
-	FT8926		0	RING EXPANDER TO INSTALL PISTON RINGS.
-	FT1082		0	SNAP RING PLIER TO REMOVE AND INSTALL DISTRIBUTOR RETAINING RING.
-	FT8933		0	LIFTING HOOK TO LIFT ENGINE.
-	FT8900		0	HOSE CLAMP PLIERS TO REMOVE FUEL LINE CLAMP.

## SPECIAL TOOLS - GEAR HOUSING

REF. NO.	PART NO.	SYM.	QTY.	DESCRIPTION
-	FT8948-1		0	PULLER TO REMOVE PROPELLER SHAFT SPOOL FROM GEAR HOUSING
-	FT11209		0	BEARING GUIDE SET TO REMOVE/INSTALL FORWARD BEARING CUP.
-	FT8918		0	BEARING GUIDE SET TO BE USED WITH T 11209 BEARING GUIDE SET.
-	FT11207		0	BEARING CUP REMOVER TO REMOVE FORWARD BEARING CUP IN GEAR HOUSING
-	FT11205		0	BEARING INSTALLER/REMOVER TO REMOVE AND INSTALL LOWER DRIVESHAFT BEARING
-	FT11204		0	BEARING CUP INSTALLER TO INSTALL FORWARD BEARING CUP IN GEAR HOUSING.
-	FT8930-1		0	FEELER GAUGE SET TO USE IN SHIMMING LOWER UNIT.
-	FT8957		0	SEAL INSTALLER TO INSTALL SHIFT ROD SEAL.
-	FT8985		0	SEAL INSTALLER TO INSTALL PROPELLER SHAFT SEAL IN SPOOL.
-	FT8925		0	SEAL INSTALLER TO INSTALL DRIVESHAFT SEAL IN GEAR HOUSING COVER.
-	FT3012		0	SEAL INSTALLER TO INSTALL DRIVESHAFT SEAL IN WATER PUMP.
-	FT8997		0	SHIM TOOL TO SHIM LOWER UNIT.
-	FT8901		0	INDICATOR HOLDER USED IN CONJUNCTION WITH T 8997.
-	FT8902		0	DIAL INDICATOR USED IN CONJUNCTION WITH T 8997.
-	FT8907		0	DRIVER HANDLE USED WITH T 11204, T 11205, T 11209.
-	FT8919		0	SPRING PIN PUNCH TO REMOVE CLUTCH SPRING PIN.
-	FT7848		0	TORQUE ADAPTER TO HOLD DRIVESHAFT SPLINE WHILE TORQUING.

## SPECIAL TOOLS - TEST EQUIPMENT

REF. NO.	PART NO.	SYM.	QTY.	DESCRIPTION
-	FT2951		0	CIRCUIT TRACER TO TROUBLESHOOT ELECTRICAL SYSTEM.
-	FTK8999		0	TEST WHEEL TO TEST MOTOR IN TEST TANK. ORIGINAL FORCE P/N TA 8999
-	FT8950		0	LEAKAGE TESTER TO TEST LOWER UNIT SEALS FOR LEAKAGE.
-	FT11260		0	SPARK TESTER TO TEST OUTPUT OF IGNITION SYSTEM.
-	FT2938-1		0	CONTINUITY TESTER TO TEST CIRCUITS FOR CONTINUITY.
-	FT11259		0	MULTIMETER TO TEST ELECTRICAL COMPONENTS.

# SPECIAL TOOLS - LUBRICANTS AND SEALANTS

REF. NO.	PART NO.	SYM.	QTY.	DESCRIPTION
-	FT2961		0	LUBRICANT - RYKON GREASE #2EP
-	FT2987-1		0	LUBRICANT - ANTI-SEIZE
-	FT8969		0	LUBRICANT - 7 OZ. LPS-1 LUBRICANT
-	FT8955		0	SEALANT - 5 OZ. EC-750 INDUSTRIAL SEALANT
-	FT8983		0	SEALANT - 3 OZ. RTV SEALANT FORM IN PLACE GASKETS
-	FT8936-1		0	SEALANT - 2 CC LOCTITE RETAINING COMPOUND #75
-	FT2963-2		0	SEALANT - 50 CC LOCTITE H, NON-HARDENING GRADE
-	FT2963-2		0	SEALANT - 2 OZ. LOCTITE 271
-	FT8935		0	SEALANT PRIMER LOC QUICT

# ACCESSORIES

REF. NO.	PART NO.	SYM.	QTY.	DESCRIPTION
-	F5H173		0	FLUSHING ADAPTER PERMITS FRESH WATER FLUSHING OF WATER PASSAGES WITH STANDARD GARDEN HOSE.
-	F5H198		0	REMOTE CONTROL - SURFACE MOUNT PERMITS REMOTE CONTROL OF THROTTLE AND GEAR SHIFT FROM STARBOARD SIDE OF BOAT. INCLUDES HANDLE MOUNTED TURN SWITCH.
-	F5H080		0	TWIN REMOTE CONTROL BOX PERMITS REMOTE CONTROL OF THROTTLE AND GEAR SHIFT - TWO ENGINES. CONSOLE MOUNTED.
-	F5H190/___		0	REMOTE CONTROL CABLES CONNECTS REMOTE CONTROL BOX TO THROTTLE AND GEAR SHIFT ON ENGINE. AVAILABLE IN 6 THROUGH 26 FOOT LENGTHS.
-	F5H108		0	STEERING CONNECTOR CLEVIS TYPE FOR BOAT MOUNTED STEERING AND NON-THREADED CABLE END.
-	F5H094		0	STEERING LINK KIT CONNECTS STEERING CABLE TO ENGINE WHEN USING ENGINE MOUNTED STEERING SYSTEM.
-	F5H018		0	DUAL STEERING CONNECTOR PERMITS DUAL ENGINE INSTALLATIONS.
-	F5H019		0	ANTI-CORROSION KIT ELECTRICAL KIT FOR MOUNTING ON BOAT (12V) TO REDUCE CORROSION.
-	F5H025		0	ANTI-CORROSION SACRIFICIAL ANODE KIT USED TO REDUCE CORROSION.
-	F5H043		0	OVERHEAT BUZZER SOUNDS WARNING BUZZER IF ENGINE OVERHEATS.
-	F5H161		0	POWER TRIM INDICATOR INDICATES ENGINE TRIM ANGLE.
-	F5H044		0	TILT STOP KIT LIMITS TILTING ANGLE.
-	F5H068		0	RFI SUPPRESSION KIT PROVIDES RADIO NOISE SUPPRESSION.
-	F5H151		0	SHOCK ABSORBER KIT TO PROVIDE SHOCK PROTECTION WHEN HITTING UNDERWATER OBJECT.
-	F5H081		0	BATTERY CABLE LONGER LENGTH - 15 FEET.
-	F5H157		0	VOLTMETER - FLUSH MOUNT INDICATES BATTERY CONDITION.
-	F5H021		0	EXTENSION CABLE FOR LENGTHENING BATTERY CABLE 6-1/2 FEET.
-	F5H041		0	BATTERY TERMINAL KIT FOR POSITIVE AND NEGATIVE BATTERY POSTS.
-	F5H037		0	CIGAR LIGHTER FOR USE AS CONVENIENCE OUTLET.
-	5H158		0	FUEL GAUGE FLUSH MOUNT MONITORS FUEL SUPPLY.
-	5H145		0	HYDRAULIC TILT HYDRAULIC UNIT TO RAISE AND LOWER THE LOWER UNIT WHEN BEACHING OR TRAILERING BOAT.
-	F5H159		0	HOURLY METER RECORDS ENGINE RUNNING TIME.
-	F5H077		0	IGNITION KEY SWITCH SHORT BARREL WITH KEYS.
-	F5H078		0	IGNITION KEY SWITCH LONG BARREL WITH KEYS.
-	F5H028		0	SENDING UNIT, FUEL TANK FOR USE WITH 5H158 FUEL GAUGE.

CONTINUED ON NEXT PAGE ➡

# ACCESSORIES

REF. NO.	PART NO.	SYM.	QTY.	DESCRIPTION
-	F5H156		0	TEMPERATURE GAUGE FLUSH MOUNT MONITORS ENGINE TEMPERATURE. DO NOT USE TEMPERATURE GAUGE AND HEAT LAMP IN SAME INSTALLATION.
-	F5H167		0	TACHOMETER FLUSH MOUNT MONITORS ENGINE R.P.M. TO PROVIDE CHECK OF ENGINE PERFORMANCE.
-	F5H196		0	POWER TRIM ADJUSTS ENGINE TRIM AND TILTS ENGINE.
-	F5H155		0	SPEEDOMETER FLUSH MOUNT MONITORS BOAT SPEED (10 - 65 M.P.H.)
-	F5H154		0	SPEEDOMETER FLUSH MOUNT MONITORS BOAT SPEED (10 - 50 M.P.H.)
-	F5H115		0	TRAILERING TILT LOCK SECURES ENGINE IN HALF TILT POSITION FOR TRAILERING (WITHOUT TRIM AND TILT).
-	F5H179		0	TRAILERING TILT LOCK SECURES ENGINE IN HALF TILT POSITION FOR TRAILERING (WITH TRIM AND TILT).
-	F5H030		0	SWITCH KIT - RUNNING LIGHTS DASH MOUNTED TOGGLE SWITCH.
-	F5H031		0	SWITCH KIT - SPOT LIGHT DASH MOUNTED TOGGLE SWITCH.
-	F5H032		0	SWITCH KIT - WIPER DASH MOUNTED TOGGLE SWITCH.
-	F5H034		0	SWITCH KIT - BILGE PUMP DASH MOUNTED TOGGLE SWITCH.
-	F5H035		0	SWITCH KIT - HORN DASH MOUNTED TOGGLE SWITCH (MOMENTARY).
-	F5H036		0	SWITCH KIT - TACHOMETER TRANSFER DASH MOUNTED TOGGLE SWITCH FOR ONE TACHOMETER ON DUAL ENGINE INSTALLATION.
-	F5H039		0	SWITCH KIT - INSTRUMENT LIGHT DASH MOUNTED TOGGLE SWITCH.
-	F563		0	TERMINAL BLOCK KIT DOUBLE ROW 10 SECTION TO SIMPLIFY ACCESSORY INSTALLATION.
-	F596-		0	US MARINE OUTBOARD OIL SEE NOTE 1
-	597-		0	US MARINE OUTBOARD GEAR LUBE SEE NOTE 2
-	F5H059		0	US MARINE OUTBOARD MULTI-PURPOSE GREASE LUBRICATES BEARINGS AND OTHER MOVING PARTS. AVAILABLE IN 8 OZ. TUBES AND 12 TUBE CASES.
-	F5H060		0	US MARINE OUTBOARD GREASE GUN USED WITH US MARINE OUTBOARD MULTI-PURPOSE GREASE TUBES FOR PRESSURE FITTINGS.
-	F5H191		0	FORCE BLUE ENAMEL ENGINE TOUCH-UP PAINT IN 13 OZ. AVERAGE SPRAY BOMBS (6 CANS PER CASE).
-	F5H192		0	FORCE BLUE ENAMEL



# PARTS INDEX

Part Number	Description	Pg.	Ref. No.	Part Number	Description	Pg.	Ref. No.
10137	NOZZLE	19	9	F1064	FILL HD SCREWS, S.S., 8 - 32 X 3/8	15	74
10234	VALVE	19	27	F1072	FILL HD SCREW, 1/4 - 20 X 1-3/4	15	68
5H145	HYDRAULIC TILT	53	-	F1110	FILL HD. SCREW, 1/4- 20 X 5/8	25	77
5H158	FUEL GAUGE FLUSH MOUNT	53	-	F1112	FILL HD. SCREW, 1/4 - 20 X 7/8	35	20
817747--1	BALL JOINT W/STUD	13	28	F1199	HEX CAP SCREW, 1/4 - 20 X 1	21	15
817747--1	BALL JOINT W/STUD	21	18	F1203	HEX CAP SCREW, 1/4 - 20 X 7/8	5	40
817782--1	IGNITION KEY - NO LETTER OR STAMPED A	43	32	F1203	HEX HD. SCREW, 1/4 - 20 X 7/8	25	88
817782--1	KEY IGNITION - NO LETTER OR STAMPED A	7	19	F1236	HEX HD SCREW, 1/4 - 20 X 1/2	13	42
817783A5	SWIVEL BRACKET	31	52	F1238	HEX CAP SCREW, 1/4 - 20 X 3/4	5	41
817787A1	CYLINDER DRAIN COVER	21	42	F1263	HEX SOCKET HD. CAP SCREW, 5/16 - 18 X 9/16	29	13
817788A3	SPACER PLATE	23	67	F1280	PAN HD. SCREW, 8 - 32 X 1/4	31	83
817802A3	COVER	47	12	F1280	SCREW (IGN. SWITCH WIRE TERMINAL)	43	22
817883--1	IGNITION KEY - STAMPED B	43	-	F1280	SLOTTED PAN HD. SCREW, 8 - 32 X 1/4	7	15
817883--1	KEY IGNITION - STAMPED B	7	-	F1286	PAN HD. SCREW, 4 - 40 X 3/16	21	40
817891--1	IGNITION KEY - STAMPED C	43	-	F1303	PAN HD. SCREW, 8 - 32 X 3/4	9	70
817891--1	KEY IGNITION - STAMPED C	7	-	F1341	HEX NUT, 1/4 - 20	21	22
817928--1	IGNITION KEY - STAMPED D	43	-	F1341	NUT	11	19
817928--1	KEY IGNITION - STAMPED D	7	-	F1341	NUT, 1/4 - 20	9	53
817929--1	IGNITION KEY - STAMPED E	43	-	F1346	HEX NUT, 3/8 - 16	21	6
817929--1	KEY IGNITION - STAMPED E	7	-	F1346	HEX NUT, 3/8 - 16	29	24
817946A2	HANDLE AND SHAFT	31	61	F1425	HEX CAP SCREW, 1/4 - 20 X 2-5/8 S.S.	37	63
817959A3	INTAKE MANIFOLD	13	25	F1425	HEX CAP SCREW, 1/4 - 20 X 5/8 S.S.	39	-
817968A2	TOWERSHAFT	21	19	F1473	NUT, 10 - 24 S.S.	17	18
818055A3	TRIM CYLINDER COMPLETE	45	10	F1491	HEX CAP SCREW, 5/16 - 18 X 1	37	41
89396A38	PRIME BULB	41	9	F1493	PAN HD. SCREW, 5/16 - 18 X 5/8 S.S.	3	15
F1009	HEX BOLT, 3/8 - 16 X 2-3/4	21	3	F1504	FILL HD SCREW, 1/4 - 20 X 1-1/4	15	66
F10090	BOWL RETAINER GASKET	19	14	F1504	FILL HD. SCREW, 1/4 - 20 X 1-1/4	21	13
F10127	FUEL BOWL	19	2	F1504	FILL HD. SCREW, 1/4 - 20 X 1-1/4	21	21
F10135	FLOAT ASSEMBLY	19	7	F1504	SLOTTED FIL SCREW, 1/4 - 20 X 1-1/4 S.S.	17	8
F1014	COTTER PIN	13	54	F1513	HEX NUT 10 - 32	23	49
F1014	COTTER PIN	31	58	F1513	HEX NUT, 10 - 32	7	26
F10141	IDLE NEEDLE SPRING	19	18	F1513	HEX NUT, 10 - 32	13	33
F10142	FLOAT SUPPORT SPRING	19	19	F1513	NUT, #10-32 HEX	45	30
F10143	CHOKE VALVE SPRING	19	20	F1513	STOP NUTS (CABLE END)	43	23
F1015	COTTER PIN	37	47	F1515	HEX NUT, 5/16 - 18	13	51
F10152	CUP PLUG	19	10	F1515	HEX NUT, S.S., 5/16 - 18	7	25
F10153	WELCH PLUG	19	11	F1515	HEX NUT, S.S., 5/16 - 18	7	29
F10155	CHOKE AND THROTTLE SCREW	19	17				
F10161	CHOKE VALVE	19	6				
F10168	THROTTLE SHAFT ASSEMBLY	19	3				
F10169	THROTTLE VALVE	19	4				
F10172	THROTTLE RETURN SPRING	19	21				
F10204	NOZZLE SPRING	19	22				
F10205	BOWL RETAINER SCREW	19	16				
F10206	BOWL RETAINER GASKET	19	12				
F10208	PIN, FLOAT ASSEMBLY	19	8				
F10212	MAIN FUEL JET (.074) SEA LEVEL - 2500 FT.	19	25				
F10213	072) 2500 - 5000 FT.	19	-				
F10214	070) 5000 - 7500 FT.	19	-				
F10215	068) 7500 - 10,000 FT.	19	-				
F10218	SHAFT RING RETAINER	19	1				
F10219	CHOKE SHAFT ASSEMBLY	19	5				

# PARTS INDEX

Part Number	Description	Pg.	Ref. No.	Part Number	Description	Pg.	Ref. No.
F1515	NUT, 5/16-18 HEX	45	3	F1734	FILL HD. SCREW, 1/4 - 20 X 1/2	7	12
F15152	LOCKWASHER	11	18	F1734	SCREW, 1/4-20 X 1/2 W/ SPRING LOCKWASHER	45	12
F15158	SCREW, BRUSH HOLDER	11	15	F1741	PAN HD. SCREW, 8 X 3/4	9	49
F15160	INSULATOR WASHER	11	16	F1741	SCREW (TERMINAL BLOCK)	43	20
F15161	PLAIN WASHER	11	17	F1741	SCREW, PAN HD., 8-3/4	43	30
F15162	NUT	11	20	F1744	SPRING PIN	29	40
F15164	BRUSH KIT	11	7	F1744	SPRING PIN	31	47
F15174	DRIVE KIT	11	1	F17500	SPRING SET, BRUSH	47	9
F15175	DRIVE ASSEMBLY PINION	11	2	F1755	RD HD SCREW W/LOCKWASHER, 6 - 32 X 5/16	13	17
F15176	CAP STARTER DRIVE	11	3	F1760	PAN HD SCREW, 10 - 24 X 3/8	15	63
F15177	ARMATURE	11	4	F1760	SCREW, #10-24 X 3/8 PAN HM	45	24
F15178	THRU BOLT PACKAGE	11	5	F1760	SLOTTED PAN HD. SCREW, 10 - 24 X 3/8	9	40
F15179	COMMUTATOR	11	6	F17611	BRUSH SET	47	8
F1532	HEX HD SCREW, 1/4 - 20 X 1	13	47	F177330	VALVE, FUEL PUMP	17	24
F1532	HEX HD. SCREW, 1/4 - 20 X 1	23	43	F177350	REVERSE LOCK PIN	29	41
F1540	HEX HD SCREW, 1/4 - 20 X 5/8 GR. 5	17	21	F178145-4	MOTOR LEG COVER, REAR	29	10
F1550	SLOTTED PAN HD. SCREW #12 - 24 X 1	9	60	F17815	SEAL, FUEL LINE COUPLER (SMALL)	41	5
F1556	FILL HD. SCREW W/LOCKWASHER, 10 - 24 X 3/8	21	23	F17816	SEAL, FUEL LINE COUPLER (LARGE)	41	4
F1641	LOCK NUT	11	8	F17817	SEAL, FUEL TANK ADAPTER	41	12
F1645	HD. SCREW, 6 - 32 X 1/4	7	5	F17818	GASKET	41	13
F1645	SCREW, RD. HD., SELF-TAPPING, 6-32 X 1/4	43	31	F178323	SEAL, MOTOR LEG	29	15
F1647	HEX NUT, 8 - 32	7	8	F178344	BUSHING	47	1
F1648	PAN HD. SCREW, 10 - 24 X 3/4	7	20	F178344	BUSHING, SHOCK ABSORBER	45	32
F1648	SCREW 10 - 24 X 3/4 PAN HD SCREW	17	13	F1788	STOP NUT	35	15
F1648	SCREW, FUEL SEDIMENT BOWL	17	6	F1804	STOP NUT	21	16
F1664	SPRING PIN	29	11	F18160-3	REED	21	37
F1666	BOWED SPRING WASHER	29	18	F1822	HEX BOLT, 5/16 - 18 X 7/8	31	64
F1669	LOCK NUT	29	35	F1822	SCREW, 5/16-18 X 7/8 HEX	45	4
F1693	TIER BAR RETAINER	15	73	F1829	FILL HD. SCREW, 10 - 24 X 7/8	21	20
F1696	HEX BOLT, 5/16 - 18 X 1-3/4	29	16	F1832	NUT, LOCK 1/4 - 20	9	57
F1699	HEX HD SCREW, 1/4 - 20 X 1-1/8	13	27	F1832	STOP NUT, 1/4 - 20	23	61
F1703	SPRING LOCKWASHER	23	65	F1836	SPRING PIN	31	57
F1703	SPRING LOCKWASHER	31	69	F184033-1	CHOKE ARM SWIVEL	13	57
F1704	INTERNAL TOOTH LOCKWASHER	7	4	F184122-1	CRANKCASE SEAL	23	-
F1705	HEX CAP SCREW, 1/4 - 20 X 3/4 S.S.	35	1	F184122-1	PARTING LINE SEAL	21	11
F1705	HEX HD. SCREW, 1/4 - 20 X 3/4	9	68	F184579	SEAL, CHOKE ARM SWIVEL	13	56
F1708	HEX HD. SCREW, 1/4 - 20 X 1-3/8	25	99	F1854	HEX CAP SCREW, 1/4 - 20 X 5/8	5	39
F1709	HEX HD. SCREW, 1/4 - 20 X 1-1/8	25	87	F1854	HEX HD. CAP SCREW, 1/4 - 20 X 5/8	11	12
F1710	WASHER, PLAIN	45	19	F1856	PLAIN WASHER	39	72
F1711	WASHER, BOWED SPRING	45	20	F1857	HEX CAP SCREW, 5/16 - 18 X 5/8	3	30
F1713	SPRING PIN	35	26	F1857	HEX CAP SCREW, 5/16 - 18 X 5/8	3	10
F1727	PLASTIC RIVET	21	25	F1858	HEX CAP SCREW, 5/16 - 18 X 1	3	29
F1729	PLUG	29	9	F1858	HEX CAP SCREW, 5/16 - 18 X 1	37	39
F1733	PAN HD SCREW, 10 - 24 X 9/16	3	27				

# PARTS INDEX

Part Number	Description	Pg.	Ref. No.	Part Number	Description	Pg.	Ref. No.
F1860	SLOTTED BINDING HEAD			F1994	HEX SOCKET HD. CAP		
	SCREW, 6 - 32 X 1/4 . . . .	17	25		SCREW, 5/16 - 18 X 1 . . .	37	37
F1864	HEX HD. SCREW, 1/4 - 20 X			F1999	HEX CAP SCREW, 1/4 - 20 X		
	3/4 . . . . .	21	8		7/8 S.S. . . . . .	37	55
F1864	HEX HD. SCREW, 1/4 - 20 X			F2000	HEX CAP SCREW, 5/16 - 18		
	3/4 . . . . .	23	52		X 3/4 . . . . .	25	100
F1864	HEX SLOT HD. SCREW, 1/4 -			F2008	HEX CAP SCREW, 1/4 - 20 X		
	20 X 3/4 . . . . .	29	3		7/8 . . . . .	25	98
F1866	PLAIN WASHER . . . . .	35	16	F2008	HEX HD SCREW, 1/4 - 20 X		
F1869	HEX BOLT, 3/8 - 16 X 1-1/4 .	23	64		7/8 . . . . .	13	26
F1871	HEX HD. SCREW, 3/8 - 16 X			F2008	HEX HD. M. SC., 1/4 - 20 X		
	3/4 . . . . .	31	70		7/8 . . . . .	9	44
F1872	HEX BOLT, 3/8 - 16 X 1-3/4 .	21	14	F2008	HEX HD. MACH. SCREW, 1/4		
F1873	HEX BOLT, 3/8 - 16 X 3 . . . .	21	5		- 20 X 7/8 . . . . .	9	47
F1877	TY-RAP (NOT SHOWN) . . . .	9	-	F2012	WASHER . . . . .	3	21
F1883	HEX BOLT, 5/16 - 18 X 2-3/8	25	72	F2014	PLAIN WASHER . . . . .	31	78
F1885	HEX BOLT, 5/16 - 18 X 4-1/4	23	56	F2015	HEX NUT, 1/4 - 28 . . . . .	21	30
F1885	HEX CAP SCREW, 5/16 - 18			F2016	SLOTTED FILL HD. SCREW,		
	X 4-1/4 S.S. . . . . .	35	6		6 - 32 X 7/8 . . . . .	7	1
F1904	PLAIN WASHER . . . . .	29	23	F2030	HEX HD. SCREW, 1/4 - 20 X		
F1907	PLAIN WASHER, S.S. . . . .	35	7		1-1/4 . . . . .	31	68
F19109	PLUG . . . . .	25	83	F2033	GROOVE PIN . . . . .	13	39
F1912	HEX HD. SCREW, 10 - 24 X			F2042	PLAIN WASHER . . . . .	21	31
	1/2 . . . . .	31	72	F2047	WAVE WASHER . . . . .	3	35
F1922	HEX CAP SCREW, 1/4 - 20 X			F2050	HEX HD SCREW, 1/4 - 20 X		
	5/8 . . . . .	11	10		1-1/2 . . . . .	13	36
F1922	HEX HD. SCREW, 1/4 - 20 X			F2067	PLASTIC CAP . . . . .	27	22
	5/8 . . . . .	23	46	F2081	HEX SOC. HD. SCREW, 1/4 -		
F1931	NUT, 1/2-20 STOP . . . . .	45	18		20 X 3/4 . . . . .	27	18
F1934	FLAT HD SCREW, 6 X 1/2 . .	7	21	F2088	FASTENER . . . . .	3	14
F1936	SPACER, BEVEL GEAR			F2089	SLOTTED PAN HD.		
	FRONT .059 . . . . .	35	28		MACHINE SCREW, 10 - 24		
F1937	SPACER, BEVEL GEAR				X 5/16 . . . . .	23	58
	FRONT .062 . . . . .	35	-	F2090	PLUG . . . . .	23	68
F1938	SPACER, BEVEL GEAR			F2093	STOP NUT 3/8 - 24 . . . . .	31	79
	FRONT .065 . . . . .	35	-	F2106	LOCKWASHER . . . . .	9	55
F1939	SPACER, BEVEL GEAR			F2108	LOCK NUT, 5/16 - 18 . . . . .	31	75
	FRONT .068 . . . . .	35	-	F2108	STOP NUT, 5/16 - 18 . . . . .	23	59
F1940	SPACER, BEVEL GEAR			F2113	SPACER, BEVEL GEAR		
	FRONT .071 . . . . .	35	-		FRONT .080 . . . . .	35	-
F1941	SPACER, BEVEL GEAR			F2114	SPACER, BEVEL GEAR		
	FRONT .074 . . . . .	35	-		FRONT .083 . . . . .	35	-
F1942	SPACER, BEVEL GEAR			F2115	SPACER, BEVEL GEAR		
	FRONT .077 . . . . .	35	-		FRONT .086 . . . . .	35	-
F1950	HEX HD. SCREW, 10 - 24 X			F2116	SPACER, BEVEL GEAR		
	5/8 . . . . .	25	92		FRONT .089 . . . . .	35	-
F1959	SCREW, 1/4-20 X 1-3/4, SS .	47	11	F2121	SPACER, BEVEL GEAR		
F1966	PLUG, PLASTIC . . . . .	45	9		FRONT .057 . . . . .	35	-
F1968	HEX NUT, 3/4 X 16 . . . . .	9	62	F2122	SPACER, BEVEL GEAR		
F1975	LOCKWASHER . . . . .	7	18		FRONT .054 . . . . .	35	-
F1975	LOCKWASHER . . . . .	17	14	F2125	HEX HD. SCREW, 3/8 - 16 X		
F1975	WASHER, #10 SPRING LOCK	45	31		3 . . . . .	29	22
F197787-3	FUEL LINE COUPLER . . . .	41	6	F213274	GREASE FITTING . . . . .	31	53
F197813	BEARING . . . . .	31	60	F2143	HEX SOC. HD SCREW, 1/4 -		
F1987	PLAIN WASHER . . . . .	25	71		20 X 1 S.S. . . . . .	3	20
F1987	PLAIN WASHER . . . . .	31	76	F215962	MOUNT (SHOCK - C.D. UNIT)	7	32
F1990	HEX CAP SCREW, 1/4 - 20 X			F224394-3	DECAL, FUEL MIXTURE		
	1-5/8 S.S. . . . . .	37	61		(USA) (NOT SHOWN) . . . .	41	-
F1990	HEX CAP SCREW, 1/4 - 20 X			F24278	PROPELLER SHAFT SPOOL		
	1-5/8 S.S. . . . . .	39	-		SEAL . . . . .	39	-

# PARTS INDEX

Part Number	Description	Pg.	Ref. No.	Part Number	Description	Pg.	Ref. No.
F24278	SEAL, O-RING PROPELLER			F40223	TRANSFER PORT COVER		
	SHAFT SPOOL	35	10		GASKET	23	-
F269319	BEARING	13	31	F40278	SEAL, CYLINDER	47	16
F284659-2	CRANKSHAFT THRUST			F404268	SPRING, BY-PASS VALVE	25	95
	BEARING, UPPER	27	21	F404801	FITTING	23	44
F286461	SPRING LOCK BAR HANDLE	31	45	F404841	CABLE, HEAT INDICATOR	9	52
F286818	BEARING, LATCH SHAFT	3	33	F404841	CABLE, OVERHEAT BUZZER	43	28
F289446-1	CLAMP, REMOTE ELEC.			F40689-1	BEARING, TOWERSHAFT	23	66
	CABLE TO BRACKET	7	11	F407446	CLAMP	7	33
F298788	FERRULE	41	7	F409251-1	GAUGE CAP (CANADA)		
F2A404757	CYLINDER DRAIN REED				(FORCE MODELS)	41	1
	PLATE	21	36	F428096	RETAINER,		
F2A498662	BEVEL GEAR REAR				THERMOSWITCH	9	74
	W/BEARING CAGE,			F428096	RETAINER,		
	SPACER AND BEARING	35	22		THERMOSWITCH	25	103
F2A523239	SPOOL, PROPELLER SHAFT			F433114	HANDLE, LOCK BAR	31	46
	BEARING	35	11	F433209-1	STUD	13	34
F2A550706	GEAR HOUSING COVER	37	53	F433253	HOSE	23	45
F2A615144	CRANKSHAFT BEARING			F438066	BY-PASS VALVE COVER	25	93
	CAGE	27	17	F438129	SEAL, DRIVESHAFT SPLINE	39	71
F2A654983	CYLINDER BEND ASSEMBLY	47	7	F438169	BEARING	29	38
F2A658746	FUEL PUMP COMPLETE	17	26	F438271	RETAINER, CRANKSHAFT		
F2C663712	ENGINE COVER, COMPLETE	3	-		SPLINE SEAL	39	70
F307317	CLIP, TERMINAL BLOCK			F438346	SHOCK MOUNT, LOWER	31	65
	GROUND	7	17	F438500	BOWL, FUEL SEDIMENT	17	5
F310398	DECAL, FUEL CAUTION			F438617	GASKET, FUEL SEDIMENT		
	(NOT SHOWN)	41	-		BOWL	17	3
F316579	SEAL, CRANKCASE	27	11	F438653	SCREEN, FUEL PUMP	17	4
F316599	SEAL, STEERING SUPPORT			F438668	RETAINER	9	66
	TUBE	29	32	F438747	DIAPHRAGM, FUEL PUMP	17	15
F319908	WIRE, GROUND (C.D. - COIL			F438754	FUEL LINE	13	44
	BRACKET)	9	56	F438760	GASKET, FUEL PUMP	17	16
F333316	THROTTLE ROLLER SHAFT	13	52	F438801	FITTING, FUEL PUMP		
F335215	SPACER, PISTON PIN (2				OUTLET	17	11
	PER PISTON)	27	3	F438930	RETAINER, SNOUT	37	36
F335217-1	BEARING PISTON PIN (26			F438962	SHOCK MOUNT SLIDE	29	12
	PER SET)	27	5	F439736	SEAL EXHAUST TUBE	29	8
F335654-1	DEFLECTION STOP	3	28	F449010	CYLINDER	47	17
F338618-1	GEAR SHIFT ROD SEAL	39	-	F449278	PISTON SEAL	47	15
F338618-1	SEAL, GEAR SHIFT ROD	37	56	F449342	SEAL, PISTON SHAFT	47	13
F345683	WIRE, GROUND (RECTIFIER			F449354	BRACKET, THRUST	45	13
	TO STARTER BOLT)	9	51	F449362	BEARING, LOWER SHAFT	45	7
F351307	SEAL, WATER PUMP	37	64	F449545-2	CYLINDER HOUSING	47	18
F353480	STUD	29	25	F449632	SHAFT, TRIM MOUNT	45	8
F369349	REVERSE LOCK	29	36	F449889	SHAFT, UPPER SHOCK	45	21
F369364	REVERSE LOCK ARM	31	56	F474073-1	CLAMP SCREW	29	27
F369510	LINK	29	39	F475504	GROMMET	9	42
F369529-1	CYLINDER HEAD GASKET	23	-	F476066-1	COVER, THERMOSTAT	25	78
F369529-1	CYLINDER HEAD GASKET	25	84	F476067	GASKET, THERMOSTAT		
F369610	BEARING	23	55		COVER	25	81
F369887	SHOULDER SCREW	23	54	F476067	THERMOSTAT COVER		
F369977-1	INTERLOCK ARM	23	63		GASKET	23	-
F381896-4	BATTERY CABLE	7	34	F480107-1	CAM, STARTER INTERLOCK	23	57
F391926-1	CHOKE SOLENOID			F480388	DISC, WATER PUMP		
	PLUNGER	13	40		LOCATING	37	62
F3A523158	REED PLATE	13	21	F480551-1	BRACKET INTERLOCK		
F40209	CARBURETOR STUD	13	50		SWITCH	13	48
F40223	GASKET, TRANSFER PORT			F481434	GUIDE, ENGINE COVER	3	13
	COVER	17	22				

# PARTS INDEX

Part Number	Description	Pg.	Ref. No.	Part Number	Description	Pg.	Ref. No.
F481777	CAM, LATCH SHAFT	3	36	F523899	GROMMET, WATER ALINE	35	4
F481836	INTAKE GASKET	15	62	F523930	RETAINER	31	85
F481836	INTAKE GASKET	23	-	F523961	CRUSH RING	37	50
F481860-1	CARBURETOR, INTAKE	15	69	F525629	COTTER PIN FOR 5H179	33	90
F483884	BEARING	31	51	F528068	THERMOSTAT (110-F)	25	80
F485755-1	FUEL TANK ADAPTER	41	3	F529390-1	DECAL, REVERSE LOCK	31	54
F498618	GEAR SHIFT ARM PIN SEAL	39	-	F530160	REED (5 PETAL)	13	20
F498618	SEAL	37	33	F532299	WASHER, PROPELLER		
F498891	PIN, GEAR SHIFT ARM	37	32		SPLINE	35	17
F499026	SWIVEL	21	27	F53504	GROMMET	15	67
F499035	ROD END, CONTROL ROD			F549189	BUSHING, ELECTRIC CABLE	3	25
	TO TRIGGER	21	32	F563	TERMINAL BLOCK KIT	54	-
F499036	TOWERSHAFT CONTROL			F58685-2	CONNECTOR (SHIFT)	43	25
	ROD END	21	26	F591843	CABLE (25' REMOTE ELECT.		
F499995	CYLINDER HEAD COVER	25	73		- 10 WIRE)	43	-
F50109	PLUG, GEAR HOUSING	39	78	F598387	DECAL, POWER FLOW	31	87
F50342-1	BEARING CAGE BOLT SEAL	39	-	F5H018	DUAL STEERING		
F50342-1	SEAL, BEARING CAGE				CONNECTOR	53	-
	BOLTS	35	8	F5H019	ANTI-CORROSION KIT	53	-
F506118	PROPELLER SHAFT SEAL	39	-	F5H021	EXTENSION CABLE	53	-
F506118	SEAL, DRIVESHAFT	37	52	F5H025	ANTI-CORROSION		
F506118	SEAL, PROPELLER SHAFT	35	9		SACRIFICIAL ANODE	53	-
F510374-1	DECAL, CIRCUIT BREAKER	7	37	F5H026-1	FUEL TANK ACC. ITEM		
F510374-1	DECAL, CIRCUIT BREAKER	45	29		(FORCE MODELS)	41	2
F510460	BREAKER, CIRCUIT	45	28	F5H028	SENDING UNIT, FUEL TANK	53	-
F510460	CIRCUIT BREAKER	7	38	F5H030	SWITCH KIT - RUNNING		
F511125-2	TUBE, STEERING SUPPORT	29	31		LIGHTS	54	-
F522056	BEARING	39	77	F5H031	SWITCH KIT - SPOT LIGHT	54	-
F523031	GASKET, WATER PUMP	37	57	F5H032	SWITCH KIT - WIPER	54	-
F523031	GASKET, WATER PUMP	39	-	F5H034	SWITCH KIT - BILGE PUMP	54	-
F523057	BEARING, DRIVESHAFT			F5H035	SWITCH KIT - HORN	54	-
	LOWER	37	66	F5H036	SWITCH KIT - TACHOMETER		
F523065-1	IMPELLER	39	-		TRANSFER	54	-
F523065-1	WATER PUMP IMPELLER	37	59	F5H037	CIGAR LIGHTER	53	-
F523099-1	SPACER, PROPELLER	35	19	F5H038	IGNITION SWITCH		
F523116-1	EXHAUST SNOUT	37	38		MOUNTING KIT		
F523133-2	MOTOR LEG	29	14		(ACCESSORY ITEM)	7	22
F523146-1	SEAL, CRANKSHAFT			F5H039	SWITCH KIT - INSTRUMENT		
	LOWER	27	13		LIGHT	54	-
F523146-1	SEAL, CRANKSHAFT UPPER	27	19	F5H041	BATTERY TERMINAL KIT	53	-
F523188	NUT, BEVEL PINION			F5H041	BATTERY TERMINAL KIT		
	RETAINING	37	34		(ACCESSORY ITEM)	9	48
F523244	INLET WATER LINE	35	5	F5H043	Buzzer, HEAT INDICATOR		
F523273	STEERING BALL STUD	31	86		(ACCESSORY ITEM)	9	50
F523274	GREASE FITTING	29	30	F5H043	OVERHEAT BUZZER	53	-
F523280	NUT, STEERING SUPPORT			F5H044	TILT STOP KIT	53	-
	TUBE	29	42	F5H059	US MARINE OUTBOARD		
F523300-1	SPRING	31	82		MULTI-PURPOSE GREASE	54	-
F523411	RETAINING RING	35	23	F5H060	US MARINE OUTBOARD		
F523451	SPACER, REED STOP	13	19		GREASE GUN	54	-
F523498	DRIVE KEY, WATER PUMP	39	68	F5H068	RFI SUPPRESSION KIT	53	-
F523498	KEY	39	-	F5H073	BUZZER, OVERHEAT		
F523555	GEAR HOUSING COVER				(ACCESSORY ITEM)	43	29
	SEAL	39	-	F5H077	IGNITION KEY SWITCH	53	-
F523555	SEAL, O-RING - GEAR			F5H077	SWITCH (ACCESSORY		
	HOUSING COVER	37	49		ITEM)	43	21
F523562	PLATE, WATER PUMP	39	-	F5H078	IGNITION KEY SWITCH	53	-
F523562	WATER PUMP BACK PLATE	37	58	F5H078	SWITCH, IGNITION LONG		
F523705	GEAR SHIFT ROD, LOWER	37	46		BARREL W/KEYS AND		
F523813	BEARING CUP	37	30		SCREWS	7	16

# PARTS INDEX

Part Number	Description	Pg.	Ref. No.	Part Number	Description	Pg.	Ref. No.
F5H080	TWIN REMOTE CONTROL BOX	53	-	F640583-1	WIRE, RED	45	25
F5H081	BATTERY CABLE	53	-	F650450	RECTIFIER	7	9
F5H094	STEERING LINK KIT	53	-	F653029	TRIGGER ASSY.	9	58
F5H108	STEERING CONNECTOR	53	-	F653301-1	MODULE	9	45
F5H115	TRAILERING BRACKET (W/OUT POWER TRIM)	33	88	F653398-1	DECAL, 3 CYL WIRING	9	71
F5H115	TRAILERING TILT LOCK	54	-	F653744	WIRING HARNESS	7	14
F5H151	SHOCK ABSORBER KIT	53	-	F654618	"O" RING	47	4
F5H154	SPEEDOMETER FLUSH MOUNT	54	-	F654924	CHOKE SOLENOID	7	36
F5H155	SPEEDOMETER FLUSH MOUNT	54	-	F654976	CONNECTOR (THROTTLE)	43	24
F5H156	TEMPERATURE GAUGE FLUSH MOUNT	54	-	F658758	HOSE, IMPULSE	17	20
F5H157	VOLTMETER - FLUSH MOUNT	53	-	F658803	GASKET, SPACER PLATE	17	2
F5H159	HOURLY METER	53	-	F658836	SPACER, FUEL PUMP	17	17
F5H161	POWER TRIM INDICATOR	53	-	F660141	CONNECTOR (CABLE-REMOTE CONTROL)	43	15
F5H167	TACHOMETER FLUSH MOUNT	54	-	F660165	SCREW (LEVER TO ACTUATOR)	43	3
F5H173	FLUSHING ADAPTER	53	-	F660189	BUSHING, CABLE ENTRY	3	26
F5H179	TRAILERING BRACKET (W/POWER TRIM)	33	89	F660253	LINE, LOWER HYDRAULIC TRIM CYLINDER	45	15
F5H179	TRAILERING TILT LOCK	54	-	F660254	LINE, UPPER HYDRAULIC TRIM CYLINDER	45	11
F5H190/___	REMOTE CONTROL CABLE (SPECIFY LENGTH - X)	43	26	F660273	STUD	45	1
F5H190/___	REMOTE CONTROL CABLES	53	-	F660327	ACTUATOR (ASSEMBLY-REMOTE CONTROL)	43	14
F5H191	FORCE BLUE ENAMEL	54	-	F660329	LANYARD, KILL SWITCH	43	33
F5H192	FORCE BLUE ENAMEL	54	-	F660332	PLUG (WARM-UP BUTTON)	43	4
F5H193	CABLE (7' EXTENSION FOR 10 WIRE REMOTE ELECTRIC CABLE)	43	-	F660353	CABLE ACCESSORY	43	8
F5H196	POWER TRIM	54	-	F660411	RING (RETAINING)	43	16
F5H196	POWER TRIM UNIT COMPLETE	45	-	F660446	CLAMP (REMOTE ELECT. CABLE)	43	6
F5H198	REMOTE CONTROL - SURFACE MOUNT	53	-	F660480	SCREW (COVER TO ACTUATOR)	43	9
F5H198	REMOTE CONTROL COMPLETE - WIRED FOR POWER TRIM	43	-	F660497	BLOCK (TERMINAL)	43	19
F615475	IGNITION COIL	9	46	F660504	GROMMET (REMOTE ACCESSORY CABLE)	43	7
F616675	STARTER BRACKET LOWER	11	11	F660541	PUMP/MOTOR ASSEMBLY	45	5
F616955	STARTER COMPLETE.	11	14	F660595	WASHER (CONTROL MTG. SCREWS)	43	11
F629449	THERMOSWITCH	7	6	F660602	SWITCH (EMERGENCY KILL)	43	2
F629449	THERMOSWITCH	25	74	F660611	LEVER W/ TRIM SWITCH	43	1
F630518	CYLINDER HEAD	25	82	F660642	RETAINER (REMOTE CABLE)	43	13
F631061-2	CARBURETOR COMPLETE (TOP) WE 18-1A	15	60	F660664	WIRE (IGN. SWITCH TO ACC. TERMINAL BLOCK)	43	27
F631061-2	CARBURETOR COMPLETE (TOP) WE 18-1A	19	-	F660732	SCREW (CONTROL MOUNTING)	43	10
F632061-2	CARBURETOR COMPLETE (BOTTOM) WE 18-2A	15	61A	F660751	SCREW (PLATE TO ACTUATOR)	43	17
F632061-2	CARBURETOR COMPLETE (BOTTOM) WE 18-2A	19	-	F660754	LINE, LOWER HYDRAULIC TILT CYLINDER	45	14
F632061-2	CARBURETOR COMPLETE (MIDDLE) WE 18-2A	15	61	F660758	LINE, UPPER HYDRAULIC TILT CYLINDER	45	16
F632061-2	CARBURETOR COMPLETE (MIDDLE) WE 18-2A	19	-	F660843	CABLE (15-1/2' REMOTE ELECT.)	43	5
F63754	HOSE INTAKE DRAIN	15	65	F660911	PLATE (REMOTE CONTROL)	43	18
				F660917	RELAY, POWER TRIM	45	22
				F660995	COVER (ASSEMBLY-REMOTE CONTROL)	43	12
				F663038	SUPPORT PLATE	3	24
				F663095	ALTERNATOR STATOR	9	59

# PARTS INDEX

Part Number	Description	Pg.	Ref. No.	Part Number	Description	Pg.	Ref. No.
F663269	HANDLE, TILT	3	19	F8083	SPRING LOCKWASHER	37	54
F663366	MEDALLION - FORCE	3	6	F8083	SPRING LOCKWASHER	39	-
F663373	DECAL, TOP - SIDE	3	7	F8088	PLAIN WASHER	7	2
F663386	DECAL, NUMBER 85	3	8	F8088	PLAIN WASHER	13	55
F663396	DECAL, BOTTOM - STARBOARD	3	5	F8090	PLAIN WASHER	7	28
F663397	DECAL, BOTTOM - PORT	3	3	F8094	PLAIN WASHER	31	59
F663480	RETAINER	5	42	F8094	WASHER	3	37
F663528	DECAL, BOTTOM - REAR	3	16	F8095	PLAIN WASHER	21	7
F663585	DECAL, TOP - REAR	3	18	F8096	SPRING LOCKWASHER	3	11
F663756	PACKING	3	23	F8096	SPRING LOCKWASHER	3	31
F663774-1	BRACKET, ENGINE COVER LATCH	3	9	F8096	SPRING LOCKWASHER	7	24
F663843	CABLE (19' REMOTE ELECT. - 10 WIRE)	43	-	F8096	SPRING LOCKWASHER	25	101
F663892	DECAL, BOTTOM - FRONT	3	4	F8096	SPRING LOCKWASHER	31	63
F663894	DECAL, TOP - FRONT	3	2	F8096	SPRING LOCKWASHER	37	40
F663984	BLANKET, TOP (NOT SHOWN)	3	-	F8096	WASHER, 5/16 LOCK	45	2
F663985	BLANKET, SIDE (NOT SHOWN)	3	-	F8124	EXTERNAL TOOTH LOCKWASHER	7	31
F664384	CLIP, TERMINAL BLOCK COVER	9	75	F84011	WASHER	31	55
F664497	TERMINAL BLOCK (12 POSITION)	9	72	F84074	CLAMP SCREW FOOT	29	26
F664672	COVER, TERMINAL BLOCK COVER	9	76	F84278	CRANKSHAFT BRG. SEAL CAGE SEAL	23	-
F664843	CABLE (22' REMOTE ELECT. - 10 WIRE)	43	-	F84286-1	FRICTION WASHER	31	49
F665387	DECAL, LOGO (US MARINE)	3	17	F84305	PROPELLER SHAFT SPOOL SEAL	39	-
F7004	STOP NUT, 3/18 - 16	21	33	F84305	SEAL, PROPELLER SHAFT BEARING SPOOL	35	12
F7008	STOP NUT, 1/4 - 20	13	30	F84307-1	DRIVE SHAFT SEAL	39	-
F7009	LOCK NUT, #10 - 24	21	2	F84314-2	ELBOW	21	28
F7012	LOCK NUT, 1/2 - 20	29	21	F84342	SEAL, INLET WATER LINE UPPER	35	3
F7024	STOP NUT, 1/4 - 20	3	22	F84449	NEUTRAL INTERLOCK SWITCH	7	3
F7053	NUT, 5/8-18 STOP	45	6	F84504	GROMMET	25	79
F74305	GEAR HOUSING COVER SEAL	39	-	F84504	THERMOSTAT GROMMET	23	-
F74305	SEAL, DRIVESHAFT BEARING CAGE	37	51	F84521-2	CLUTCH	35	27
F8003	PLAIN WASHER	21	39	F84792	GASKET, FUEL PUMP VALVE	17	23
F8011	PLAIN WASHER	7	39	F84871-1	PIN, GEAR SHIFT	35	25
F8011	WASHER, #10	45	23	F85017	PISTON PIN	27	4
F8026	PLAIN WASHER	15	77	F85033	CHOKE ROD SWIVEL	13	37
F8028	PLAIN WASHER	9	43	F85037-1	STERN BRACKET PIVOT BOLT	31	48
F8038	PLAIN WASHER	21	4	F85117	BRACKET, WATER LINE	35	2
F8038	PLAIN WASHER	31	81	F85130	BOOT, IDLE EXHAUST	29	5
F8056	SPRING LOCKWASHER	7	7	F85151-1	EXHAUST PORT PLATE	25	91
F8058	INTERNAL TOOTH LOCKWASHER	13	29	F85152-4	EXHAUST PORT COVER	25	89
F8077	WASHER	39	-	F85154-1	EXHAUST PORT PLATE GASKET	23	-
F8077	WASHER, GEAR HOUSING PLUG	37	43	F85154-1	GASKET, EXHAUST PORT PLATE	25	90
F8080	SPRING LOCKWASHER	31	84	F85159-1	GASKET, INTAKE MANIFOLD	13	24
F8083	LOCKWASHER	5	38	F85159-1	MANIFOLD GASKET	23	-
F8083	LOCKWASHER	17	7	F85161-1	REED STOP	13	18
F8083	LOCKWASHER	39	76	F85162	REED PLATE ADAPTER	13	23
F8083	SPRING LOCKWASHER	9	63	F85168-1	CARBURETOR ADAPTER FLANGE GASKET	23	-
F8083	SPRING LOCKWASHER	11	13	F85168-1	GASKET REED PLATE ADAPTER	13	22
F8083	SPRING LOCKWASHER	29	2	F85192-1	THROTTLE CAM	13	32
				F85210	STUD	21	9

# PARTS INDEX

Part Number	Description	Pg.	Ref. No.	Part Number	Description	Pg.	Ref. No.
F85211	STUD, REAR	25	85	F9106	SHIM, DRIVESHAFT		
F85253-1	FUEL LINE	13	46		BEARING UPPER .003 -		
F85258	INSERT	29	4		BRASS	37	67
F85279-2	CYLINDER EXHAUST			F91446-1	BRACKET	45	27
	GASKET, UPPER	23	53	F91446-1	CIRCUIT BREAKER		
F85279-2	CYLINDER, EXHAUST -				BRACKET	9	41
	UPPER GASKET	23	-	F92759	THROTTLE ROLLER	13	53
F85300	REVERSE LOCK SPRING	29	37	F93811	SCREEN	21	35
F85317-3	CLAMP	13	41	F93920	REED STOP	21	38
F85350-1	TILT STOP PIVOT	29	17	F97772	FUEL LINE CLAMP	41	11
F85372	PIN, GEAR SHIFT ROD,			F97772	HOSE CLAMP	13	43
	LOWER	37	48	F98273	ROD END CONNECTOR		
F8538	SPRING PIN	29	28		STUD	23	51
F85380	SPRING	29	6	FA17561-1	"O" RING	47	6
F85410	SNAP RING	27	8	FA27232	EMERGENCY STARTER		
F85426	TILT STOP	31	50		ROPE (NOT SHOWN)	7	-
F85445	ROD, SPARK CONTROL	21	29	FA335260	PISTON RINGS (2 PER SET)		
F85472-2	CYLINDER DRAIN COVER				STANDARD	27	1
	GASKET	23	-	FA411222	TRANSFER PORT COVER		
F85472-2	GASKET, CYLINDER DRAIN				W/PLUGS	23	47
	COVER	21	41	FA438113	STERN BRACKET LOCK BAR	29	44
F85498-1	FLYWHEEL KEY	27	16	FA438431	BODY, FUEL PUMP	17	12
F85502	THROTTLE LINK	21	17	FA438493	BRACKET, TERMINAL		
F85509-1	CHOKE LINK	13	59		BLOCK	7	10
F85541-1	TILT LOCK	29	19	FA449015	PISTON	47	14
F85571	BEARING CAGE W/ROLLER	27	10	FA480876	GEAR SHIFT ARM	23	62
F85606	KINGPIN CAP	31	67	FA481743	BRACKET, ROLLER LATCH		
F85610	BEARING	23	60		W/ROLLER	3	12
F85615-1	GEAR SHIFT ROD, UPPER	31	74	FA523014	CRANKSHAFT LOWER MAIN		
F8563	DOWEL PIN	21	10		BEARING	27	12
F85634-2	CONNECTING ROD SCREW	27	14	FA523054	GEAR HOUSING		
F85660-1	EXHAUST TUBE	29	1		W/DRIVESHAFT BEARING		
F85704	COUPLER, GEARSHIFT				LWR, ILLUS. 30, 31, 43 &		
	ROD, UPPER	31	62		44	37	42
F85748-2	CYLINDER DRAIN REED			FA523109	PLUG, GEAR HOUSING	37	44
	PLATE GASKET	23	-	FA523485	ANTI-CORROSION ANODE	35	21
F85748-2	GASKET, CYLINDER DRAIN			FA523735	SEAL, INLET WATER LINE		
	REED PLATE	21	34		LOWER	37	65
F85762	BY-PASS VALVE GASKET	23	-	FA607689	BEARING TOWERSHAFT		
F85762	GASKET, BY-PASS VALVE	25	94		LOWER	25	102
F85772	CLAMP	29	7	FA609853	DECAL, WARNING	9	67
F85779-1	BAFFLE, AIR INTAKE	31	71	FA612754	FUEL LINE, SHORT		
F85859	STUD, FORWARD	21	12		(BAYLINER MODELS)	41	14
F85906	CARBURETOR GASKET	13	49	FA616497	TERMINAL BLOCK	7	13
F85906	CARBURETOR GASKET	23	-	FA630752	FUEL LINE COMPLETE		
F85908-1	LEAD WIRE	11	9		(BAYLINER MODELS).	41	-
F85909-1	BEARING LOCATING PIN			FA654015	PISTON ASSEMBLY	47	5
	(PRESSED INTO BLOCK)	27	23	FA654055	HEAD ASSEMBLY	47	3
F85916-1	BY-PASS VALVE	25	96	FA658746	COVER, FUEL PUMP	17	1
F85925	CHOKE ROD	13	38	FA663469	ENGINE COVER LATCH		
F85965	SHOCK MOUNT, UPPER	31	73		HANDLE W/SHAFT	3	32
F89758	FUEL PUMP AIR HOSE, TOP	17	9	FA663744	WIRING HARNESS	45	26
F9018	CAP	29	43	FA84621-1	COUPLING, GEAR SHIFT		
F9052	PLUG	29	29		ARM W/BUSHING	37	45
F90619-2	YOKE	39	73	FA84754-1	FUEL LINE SHORT	41	8
F90807	RETAINING RING	15	71	FA85018-2	CRANSKHAFT	27	15
F9095	SHIM, DRIVESHAFT			FA85135-4	LEG COVER, FRONT	31	66
	BEARING UPPER .005 -			FA85193	TIE BAR END W/SWIVEL	15	72
	SILVER	37	-	FA85355-1	WASHER SHOCK MOUNT		
					UPPER W/WASHER	31	77



# PARTS INDEX

Part Number	Description	Pg.	Ref. No.	Part Number	Description	Pg.	Ref. No.
FA85511	THROTTLE TIE BAR			FT2991	CARBON BRUSH . . . . .	49	-
	W/SWIVEL . . . . .	15	75	FT2996	RING COMPRESSOR . . . . .	49	-
FA85655-1	CRANKSHAFT MAIN			FT2998	TORQUE WRENCH (0 - 100		
	BEARING RACE . . . . .	27	9		LBS./FT.) . . . . .	49	-
FC311398	DECAL, FUEL MIXTURE			FT2999	TORQUE WRENCH (0 - 600		
	(CANADA) (NOT SHOWN)	41	-		LBS./FT.) . . . . .	49	-
FC529398	DECAL, WIRING . . . . .	25	86	FT3012	SEAL INSTALLER . . . . .	50	-
FC663054	GEAR HOUSING			FT7848	TORQUE ADAPTER . . . . .	50	-
	COMPLETE. . . . .	37	-	FT8900	HOSE CLAMP PLIERS . . . . .	49	-
FG1020-1	GASKET SET - INCLUDES			FT8901	INDICATOR HOLDER . . . . .	50	-
	ITEMS MARKED WITH A *	23	69	FT8902	DIAL INDICATOR . . . . .	50	-
FK10125	REPAIR KIT. . . . .	19	28	FT8903	SEAL INSTALLER . . . . .	49	-
FK1063-2	SEAL KIT . . . . .	39	74	FT8907	DRIVER HANDLE . . . . .	49	-
FK1069	WATER PUMP KIT . . . . .	39	75	FT8907	DRIVER HANDLE . . . . .	50	-
FK1123	SPARKIE KIT . . . . .	9	54	FT8914	SEAL REMOVER . . . . .	49	-
FK405020	SWIVEL W/PIVOT SCREW			FT8918	BEARING GUIDE SET . . . . .	50	-
	AND NUT . . . . .	21	24	FT8919	SPRING PIN PUNCH . . . . .	50	-
FK460917	STARTER RELAY . . . . .	7	23	FT8925	SEAL INSTALLER . . . . .	49	-
FK85228-1	BEARING CAGE W/ROLLER			FT8925	SEAL INSTALLER . . . . .	50	-
	NEEDLE, IDLE . . . . .	19	23	FT8926	RING EXPANDER . . . . .	49	-
FO14166	JET (.058) . . . . .	19	24	FT8930-1	FEELER GAUGE SET . . . . .	50	-
FO15337	JET (.058) . . . . .	19	24	FT8933	LIFTING HOOK . . . . .	49	-
FO15623	BOWL RING GASKET . . . . .	19	13	FT8935	SEALANT PRIMER LOC		
FPS623	PROPELLER (13 X 17)				QUICK . . . . .	52	-
	MODELS 856X7B &			FT8936-1	SEALANT - 2 CC LOCTITE		
	856Y7B . . . . .	35	18		RETAINING COMPOUND		
FPS625	PROPELLER (13 X 19)				#75 . . . . .	52	-
	MODELS 856F7B,			FT8948-1	PULLER . . . . .	48	-
	C856F7B, 858F7B &			FT8948-1	PULLER . . . . .	50	-
	858V7B . . . . .	35	-	FT8950	LEAKAGE TESTER . . . . .	51	-
FS409752	FUEL LINE COMPLETE			FT8955	SEALANT - 5 OZ. EC-750		
	(FORCE MODELS). . . . .	41	-		INDUSTRIAL SEALANT ..	52	-
FS654381	TILT CYLINDER COMPLETE			FT8957	SEAL INSTALLER . . . . .	50	-
FS663358	BRACKET (C.D. - COIL) . . . . .	7	30	FT8969	LUBRICANT - 7 OZ. LPS-1		
FS663712	ENGINE COVER, (WITH OUT				LUBRICANT . . . . .	52	-
	PAINT, DECALS OR			FT8978	TIMING LIGHT . . . . .	48	-
	HARDWARE) . . . . .	3	1	FT8983	SEALANT - 3 OZ. RTV		
FS85019	KINGPIN . . . . .	29	34		SEALANT FORM IN PLACE		
FS85872-1	BRACKET, REMOTE CABLE				GASKETS . . . . .	52	-
FSA335260	PISTON RINGS (2 PER SET)			FT8985	SEAL INSTALLER . . . . .	50	-
	.010 OVERSIZE . . . . .	27	-	FT8997	SHIM TOOL . . . . .	50	-
FT1082	SNAP RING PLIER . . . . .	49	-	FTA2937-1	TIMING TOOL . . . . .	48	-
FT11204	BEARING CUP INSTALLER . . . . .	50	-	FTK8999	TEST WHEEL . . . . .	51	-
FT11205	BEARING			K10209	GASKET KIT. . . . .	19	15
	INSTALLER/REMOVER ..	50	-	22-817789A1	DRAIN FITTING		
FT11207	BEARING CUP REMOVER ..	50	-		W/METERING CUP . . . . .	15	64
FT11209	BEARING GUIDE SET . . . . .	50	-	22-818103--1	ELBOW . . . . .	13	35
FT11259	MULTIMETER . . . . .	51	-	32-817738A1	FUEL LINE LONG . . . . .	41	10
FT11260	SPARK TESTER . . . . .	51	-	33-818007--1	SPARK PLUG (CHAMPION		
FT2938-1	CONTINUITY TESTER . . . . .	51	-		UL-18-V) . . . . .	25	70
FT2951	CIRCUIT TRACER . . . . .	51	-	39-818110A1	PISTON RINGS (2 PER SET)		
FT2953	SOCKET . . . . .	49	-		.030 OVERSIZE . . . . .	27	-
FT2961	LUBRICANT - RYKON			43-817830A2	BEVEL PINION GEAR . . . . .	37	35
	GREASE #2EP . . . . .	52	-	43-818062A3	BEVEL GEAR FRONT		
FT2963-2	SEALANT - 2 OZ. LOCTITE				W/BEARING . . . . .	35	29
	271 . . . . .	52	-	44-817962A2	PROPELLER SHAFT . . . . .	35	24
FT2963-2	SEALANT - 50 CC LOCTITE			45-817967A6	DRIVESHAFT . . . . .	39	69
	H, NON-HARDENING			46-817853A1	WATER PUMP . . . . .	39	-
	GRADE . . . . .	52	-	46-817853A1	WATER PUMP BODY . . . . .	37	60
FT2987-1	LUBRICANT - ANTI-SEIZE ..	52	-	200-817865A1	FLYWHEEL . . . . .	9	61
FT2990	PISTON PIN TOOL . . . . .	49	-				

# PARTS INDEX

Part Number	Description	Pg.	Ref. No.	Part Number	Description	Pg.	Ref. No.
597-	US MARINE OUTBOARD						
	GEAR LUBE . . . . .	54	-				
600-818052A4	CONNECTING ROD . . . . .	27	6				
700-817988A2	PISTON .010 OVERSIZE . . . . .	27	-				
700-818111A2	PISTON .030 OVERSIZE . . . . .	27	-				
700-F372015-3	PISTON-STANDARD . . . . .	27	2				
800-817861A7	CYLINDER . . . . .	25	97				
800-817912A9	SHORT BLOCK (NOT SHOWN). . . . .	25	-				
1400-817958A6	STERN BRACKET . . . . .	29	20				
F596-	US MARINE OUTBOARD OIL	54	-				