



# PARTS CATALOG

## FORCE 120 H.P. "A" MODEL 1990 L-DRIVE

SERIAL NUMBER

120 H.P. (1990 L-DRIVE) .....120LD90A

# TABLE OF CONTENTS:

CARBURETOR .....	12
CARBURETOR ADAPTERS AND FUEL LINES .....	6
CRANKSHAFT AND PISTON .....	18
ELECTRICAL COMPONENTS .....	2
EXHAUST SYSTEM .....	32
FLARED HUB PROPS .....	46
FLYWHEEL COVER .....	22
FUEL PUMP .....	10
GEAR HOUSING .....	34
MOUNT AND STEERING YOKE .....	26
PARTS INDEX .....	55
POWER HEAD .....	20
REED PLATE AND RECIRCULATION SYSTEM .....	8
SPACER PLATE AND STEERING TUBE .....	24
SPECIAL TOOLS - GEAR HOUSING .....	52
SPECIAL TOOLS - LUBRICANTS AND SEALANTS .....	54
SPECIAL TOOLS - POWER HEAD .....	51
SPECIAL TOOLS - TEST EQUIPMENT .....	53
SPECIAL TOOLS - TUNE-UP .....	50
STARTER .....	4
STRAIGHT HUB PROPS .....	44
TOWERSHAFT AND THROTTLE LINKAGE .....	16
TRANSOM PLATE .....	28
TRANSOM SHIELD .....	48
TRIM CYLINDER .....	42
TRIM PUMP AND LINES .....	40
TRIM PUMP BRACKET AND RELAYS .....	38
U-JOINT AND HOUSING .....	30

**NOTE:** Indented description indicate that these parts are included in preceeding assembly.

**AR** = As Required

**NSS** = Not Sold Separate

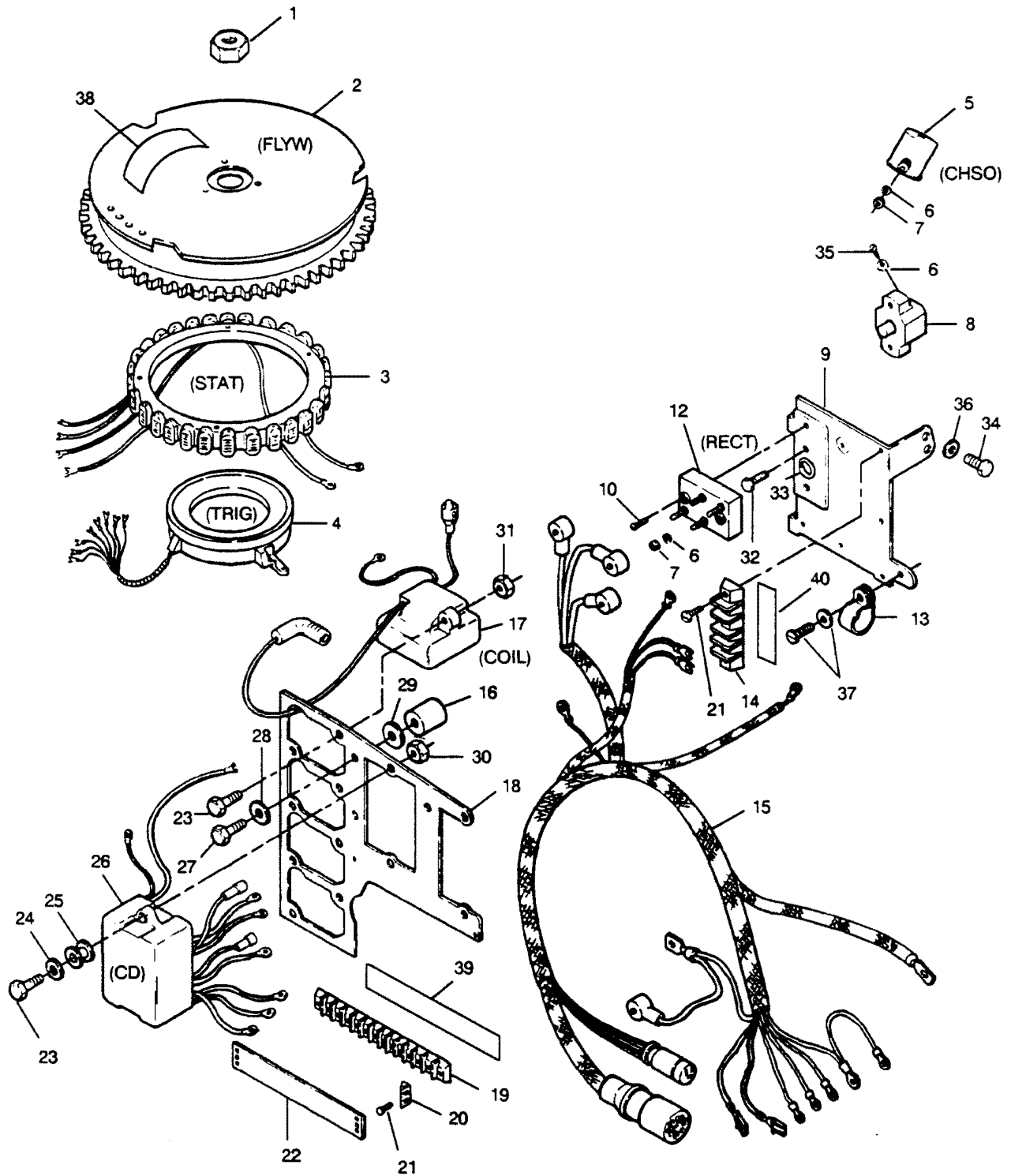
**OPT** = Optional

**NS** = Not Shown

**THESE PARTS BOOKS/FICHE CARD ARE COPYRIGHTED AND MAY NOT BE DISTRIBUTED OR REPRODUCED IN ANY OTHER FORMAT BY ANYONE OTHER THAN MERCURY MARINE WITHOUT THE PRIOR WRITTEN CONSENT OF MERCURY MARINE.**

THIS PAGE INTENTIONALLY LEFT BLANK

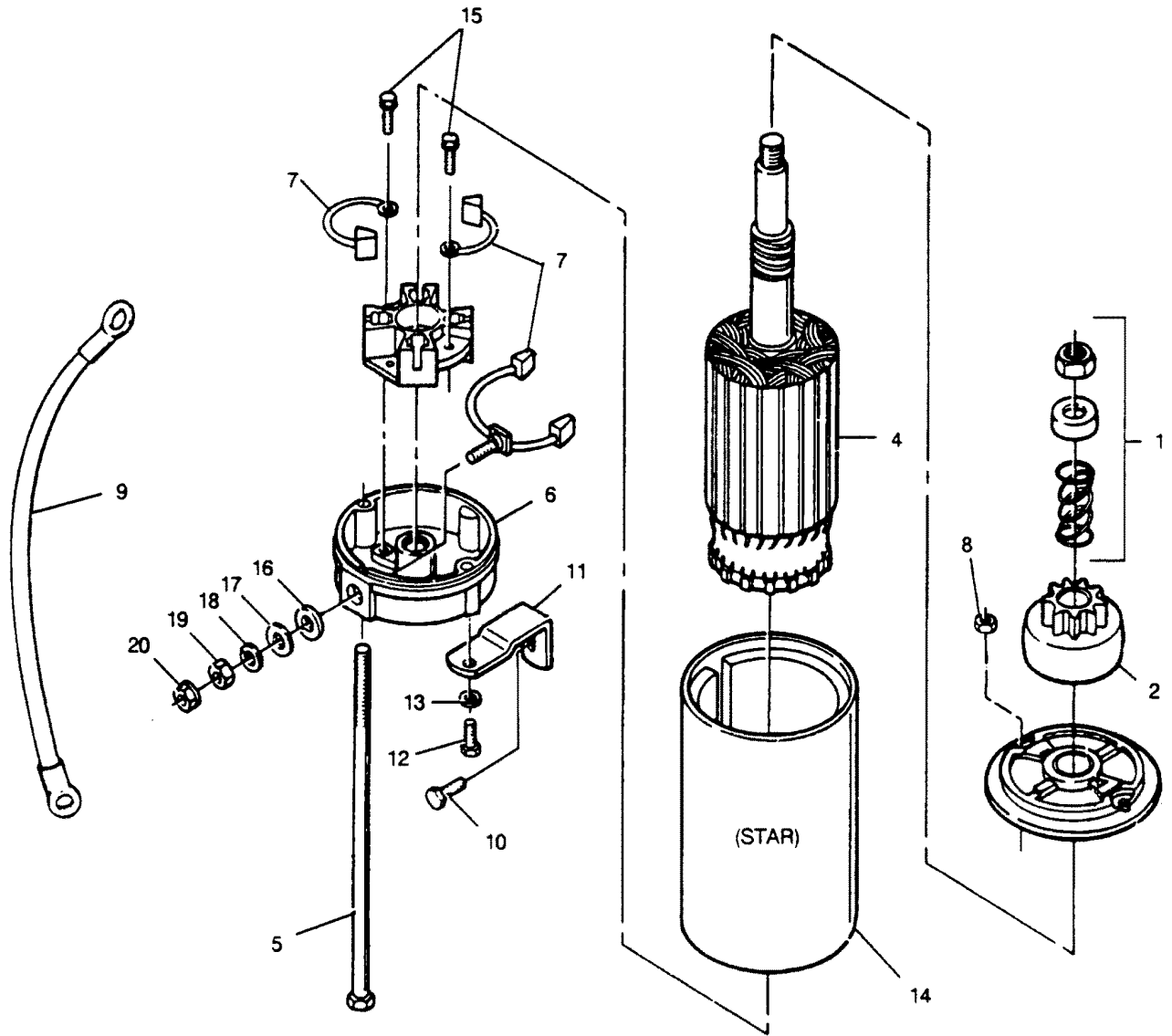
# ELECTRICAL COMPONENTS



# ELECTRICAL COMPONENTS

REF. NO.	PART NO.	SYM.	QTY.	DESCRIPTION
1	F1968		1	NUT, 3/4 - 16
2	200-817865A1		1	FLYWHEEL W/DECAL
3	F695095-1		1	STATOR
4	F654029-1		1	TRIGGER
5	F654924		1	SOLENOID, CHOKE
6	F8056		7	WASHER
7	F1647		5	NUT, 8 - 32
8	F698460		1	BREAKER, CIRCUIT
9	F695493-1		1	BRACKET, ELECTRICAL COMPONENTS
10	F2016		2	SCREW, 6 - 32 X 7/8
12	F369450		1	RECTIFIER
13	F289446-1		1	CLAMP
14	F660497		1	BLOCK, TERMINAL
15	F695744		1	HARNESS, WIRING
16	F695786		3	SPACER, ELECTRICAL COMPONENTS BRACKET
17	F684475-1		4	COIL, IGNITION
18	FS664358		1	BRACKET, COIL MOUNT
19	F664497		1	BLOCK, TERMINAL (12 POSITION)
20	F664384		2	CLIP, TERMINAL BLOCK COVER
21	F1552		4	SCREW, 8 - 32 X 1/2
22	F664672		1	COVER, TERMINAL BLOCK
23	F2008		12	SCREW, 1/4 - 20 X 7/8
24	F8028		4	WASHER
25	F475504		4	GROMMET, CD MODULE
26	F685301-2		2	C-D MODULE
27	F1883		1	SCREW, 5/16 - 18 X 2-3/8
28	F1987		1	WASHER
29	F8090		3	WASHER
30	F1832		4	NUT, 1/4 - 20
31	F1341		8	NUT, 1/4 - 20
32	F1303		2	SCREW, 8 - 32 X 3/4
33	F695374		1	DECAL, CIRCUIT BREAKER
34	F2050		1	SCREW, 1/4 - 20 X 1-1/2
35	F1280		2	SCREW, 8 - 32 X 1/4
36	F8028		1	WASHER
37	F1303		2	SCREW, 8 - 32 X 3/4
38	FA609853		1	DECAL, FLYWHEEL WARNING
39	F664025		1	PAD, INSULATING
40	F660025		1	PAD, INSULATING

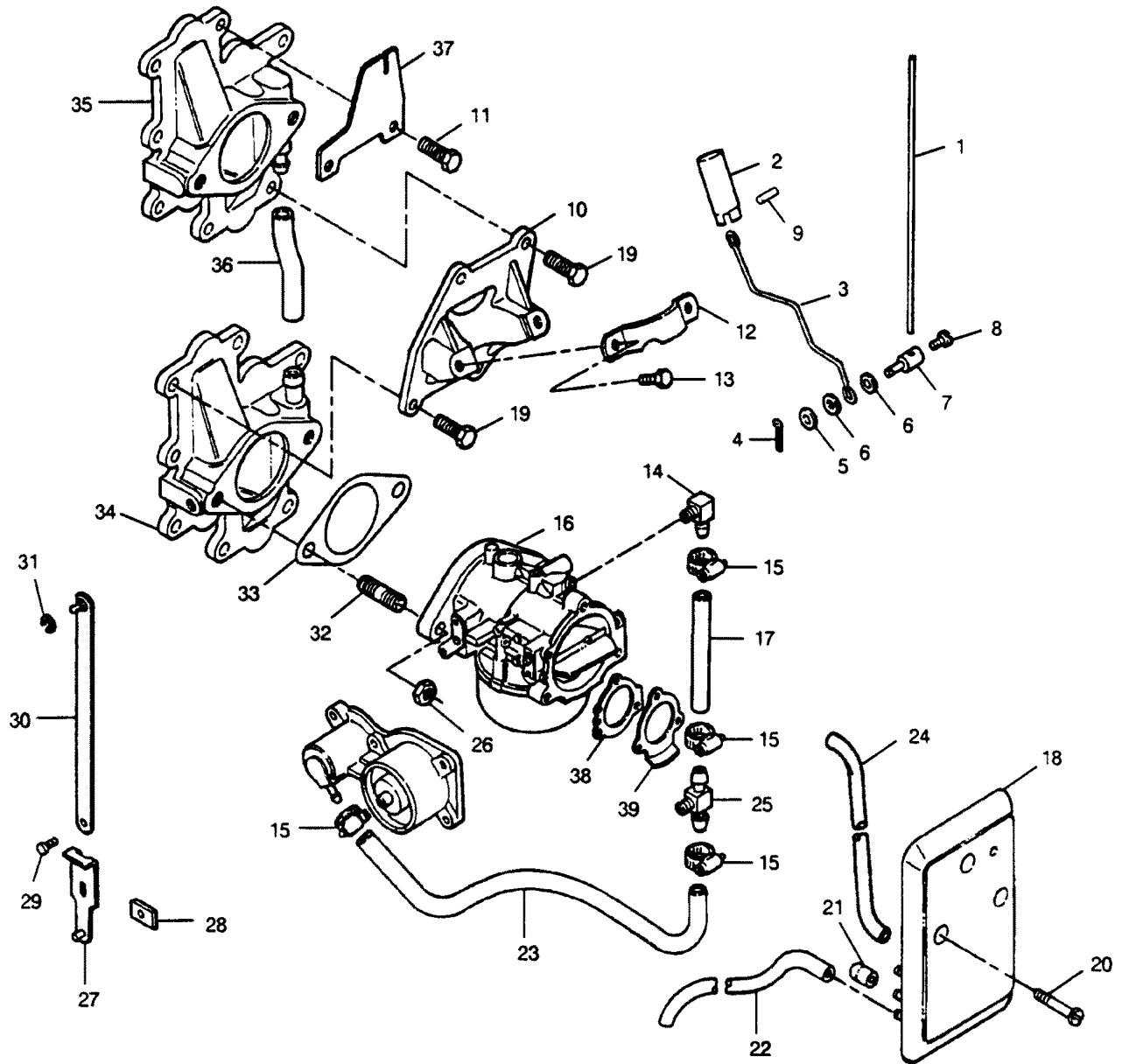
# STARTER



# STARTER

REF. NO.	PART NO.	SYM.	QTY.	DESCRIPTION
1	F15174		1	DRIVE KIT
2	F15175		1	DRIVE ASSEMBLY PINION
3	F15176		1	CAP STARTER DRIVE
4	F15177		1	ARMATURE
5	F15178		1	THRU BOLT PACKAGE
6	F15179		1	COMMUTATOR
7	F15164		1	BRUSH KIT
8	F1641		1	LOCK NUT
9	F85908-1		1	LEAD WIRE
10	F1922		1	HEX CAP SCREW, 1/4 - 20 X 5/8
11	F616675		1	STARTER BRACKET LOWER
12	F1854		1	HEX HD. CAP SCREW, 1/4 - 20 5/8
13	F8083		1	SPRING LOCKWASHER
14	F616955		1	STARTER COMPLETE. <b>INCLUDES ALL ITEMS MARKED WITH AN ASTERISK (*).</b>
15	F15158		1	SCREW, BRUSH HOLDER
16	F15160		1	INSULATOR WASHER
17	F15161		1	PLAIN WASHER
18	F8083		1	LOCKWASHER
19	F1341		1	NUT
20	F15162		1	NUT

# CARBURETOR ADAPTERS AND FUEL LINES

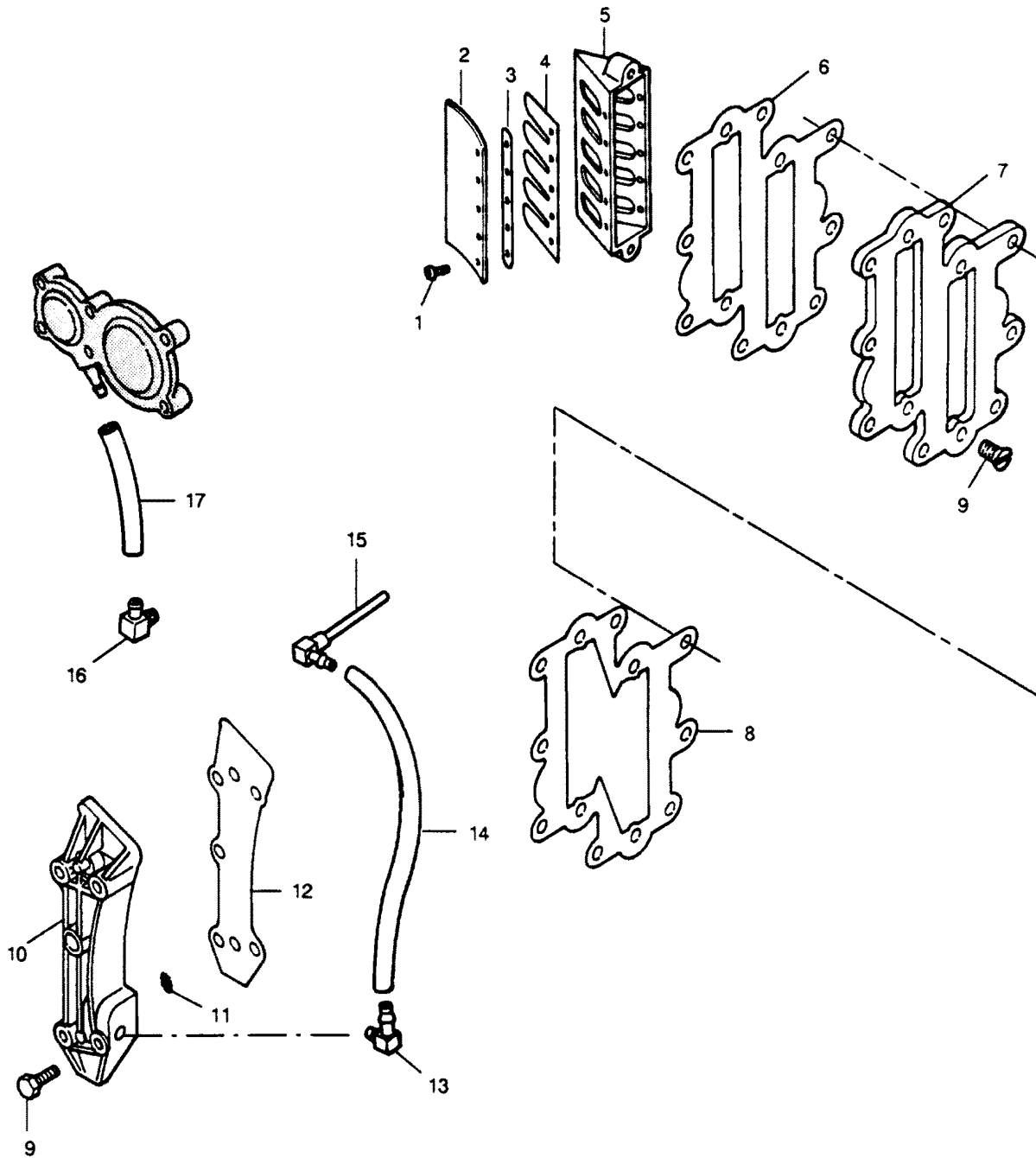




# CARBURETOR ADAPTERS AND FUEL LINES

REF. NO.	PART NO.	SYM.	QTY.	DESCRIPTION
1	F85509-1		1	LINK, CHOKE
2	F391926-1		1	PLUNGER, CHOKE SOLENOID
3	F440925		1	ROD, CHOKE SOLENOID
4	F1014		1	COTTER PIN
5	F8080		3	WASHER
6	F184579		5	SEAL
7	F85033		1	SWIVEL, CHOKE (BOTTOM CARBURETOR)
-	<b>F184033-1</b>		<b>1</b>	<b>SWIVEL, CHOKE (TOP CARBURETOR)</b>
8	F1059		2	SCREW, 6 - 32 X 1/4
9	F2033		1	GROOVE PIN
10	F372958		1	BRACKET, CHOKE SOLENOID
11	F2008		10	SCREW, 1/4 - 20 X 7/8
12	F85317-3		1	CLAMP, CHOKE SOLENOID
13	F1236		2	SCREW, 1/4 - 20 X 1/2
14	F695314		1	ELBOW, FUEL (TOP CARBURETOR)
15	F698772		4	CLAMP
16	F698061		1	CARBURETOR COMPLETE (TOP)
-	<b>F699061</b>		<b>1</b>	<b>CARBURETOR COMPLETE (BOTTOM)</b>
17	FS698865		1	HOSE
18	F698826		2	COVER, CARBURETOR
19	F1532		4	SCREW, 1/4 - 20 X 1
20	F525064		6	SCREW, 1/4 - 20 X 1-3/4
21	F698942		1	BUMPER
22	F698758		2	HOSE, CARBURETOR COVER DRAIN
23	F695754		1	HOSE, FUEL LINE
24	F698360		2	HOSE, FUEL BOWL VENT
25	F85314-1		1	FITTING, FUEL (BOTTOM CARBURETOR)
26	F1346		4	NUT, 3/8 - 16
27	FA85193		1	TIE BAR END W/SWIVEL
28	F1693		1	NUT, TIE BAR RETAINER
29	F1064		1	SCREW, #8 - 32 X 3/8
30	FA178233		1	TIE BAR, THROTTLE W/SWIVEL
31	F90807		2	RING, RETAINING
32	F440209		4	STUD
33	F440906		2	GASKET, CARBURETOR
34	FA698167		1	ADAPTER, LOWER CARBURETOR W/FITTING & STUDS
35	FA440157		1	ADAPTER, UPPER CARBURETOR W/FITTING & STUDS
36	F440254		1	HOSE (BALANCE TUBE)
37	F500894		1	POINTER, TIMING
38	F698836		2	GASKET
39	F698404		2	PLATE, DEFLECTOR

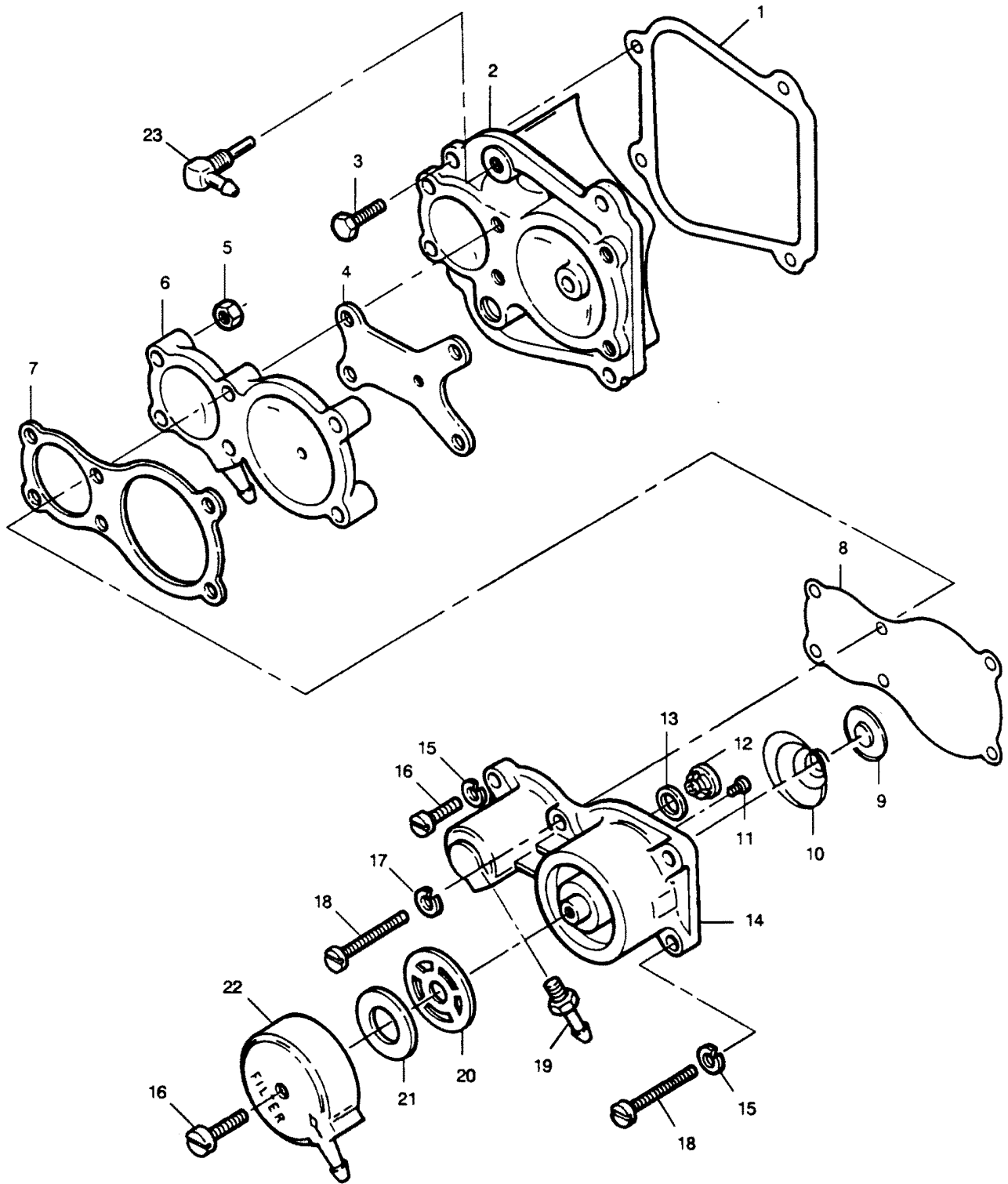
# REED PLATE AND RECIRCULATION SYSTEM



## REED PLATE AND RECIRCULATION SYSTEM

REF. NO.	PART NO.	SYM.	QTY.	DESCRIPTION
1	F1755		40	SCREW, #6 - 32 X 5/16
2	F85161-1		8	STOP, REED
3	F523451		8	SPACER, REED STOP
4	F530160		8	REED (5 PETAL)
5	818108A1		4	PLATE, REED (COMPLETE)
6	F406406		2	GASKET, DEFLECTOR PLATE
7	F178404-1		2	PLATE, DEFLECTOR
8	F178168-1		2	GASKET, CARBURETOR ADAPTER
9	F1831		8	SCREW, 1/4 - 20 X 5/8
10	817877A3		2	COVER, CYLINDER DRAIN
11	F429811		4	SCREEN
12	F686472		2	GASKET, CYLINDER DRAIN
13	22-818103--1		2	ELBOW, CYLINDER DRAIN
14	F686754		2	HOSE, PUDDLE DRAIN
15	F404314		2	ELBOW, RECIRCULATING
16	F695314		1	ELBOW, IMPULSE HOSE
17	F440254		1	HOSE, IMPULSE

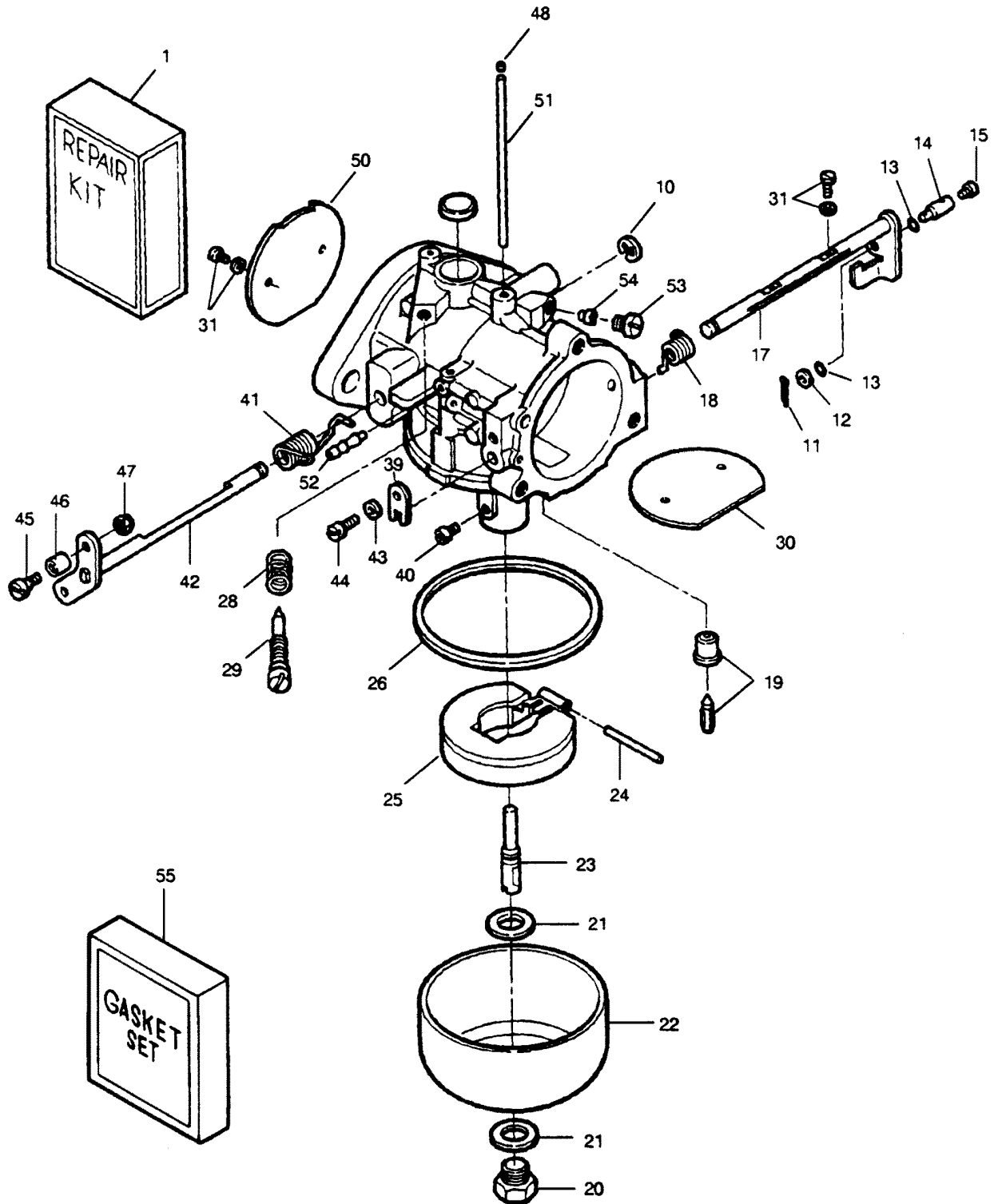
# FUEL PUMP



# FUEL PUMP

REF. NO.	PART NO.	SYM.	QTY.	DESCRIPTION
1	F40223		5	GASKET, TRANSFER COVER
2	817870A1		1	COVER, FUEL PUMP W/PLUG
3	F1502		4	SCREW, 1/4 - 20 X 5/8
4	F658803		1	GASKET, SPACER PLATE
5	F1473		2	NUT, 10 - 24
6	F658836		1	SPACER
7	F438760		1	GASKET, FUEL PUMP
8	F438747		1	DIAPHRAGM, FUEL PUMP
9	F686096		1	RETAINER, BOOSTER SPRING
10	F686300		1	SPRING, PUMP BOOST
11	F1860		2	SCREW, 6 - 32 X 1/4
12	F177330		3	VALVE, FUEL PUMP
13	F84792		1	GASKET, CENTER VALVE
14	FA686431		1	BODY, FUEL PUMP
15	F1975		2	LOCKWASHER
16	F1648		3	SCREW, 10 - 24 X 3/4
17	F8083		4	LOCKWASHER
18	F1504		4	SCREW, 1/4 - 20 X 1-1/4
19	F438801		1	FITTING
20	F438617		1	GASKET, FUEL PUMP BOWL
21	F438653		1	SCREEN, FUEL PUMP
22	F438500		1	BOWL, FUEL SEDIMENT
23	F404314		1	ELBOW, RECIRCULATING
-	<b>817919A1</b>		<b>1</b>	<b>FUEL PUMP COMPLETE</b>

# CARBURETOR

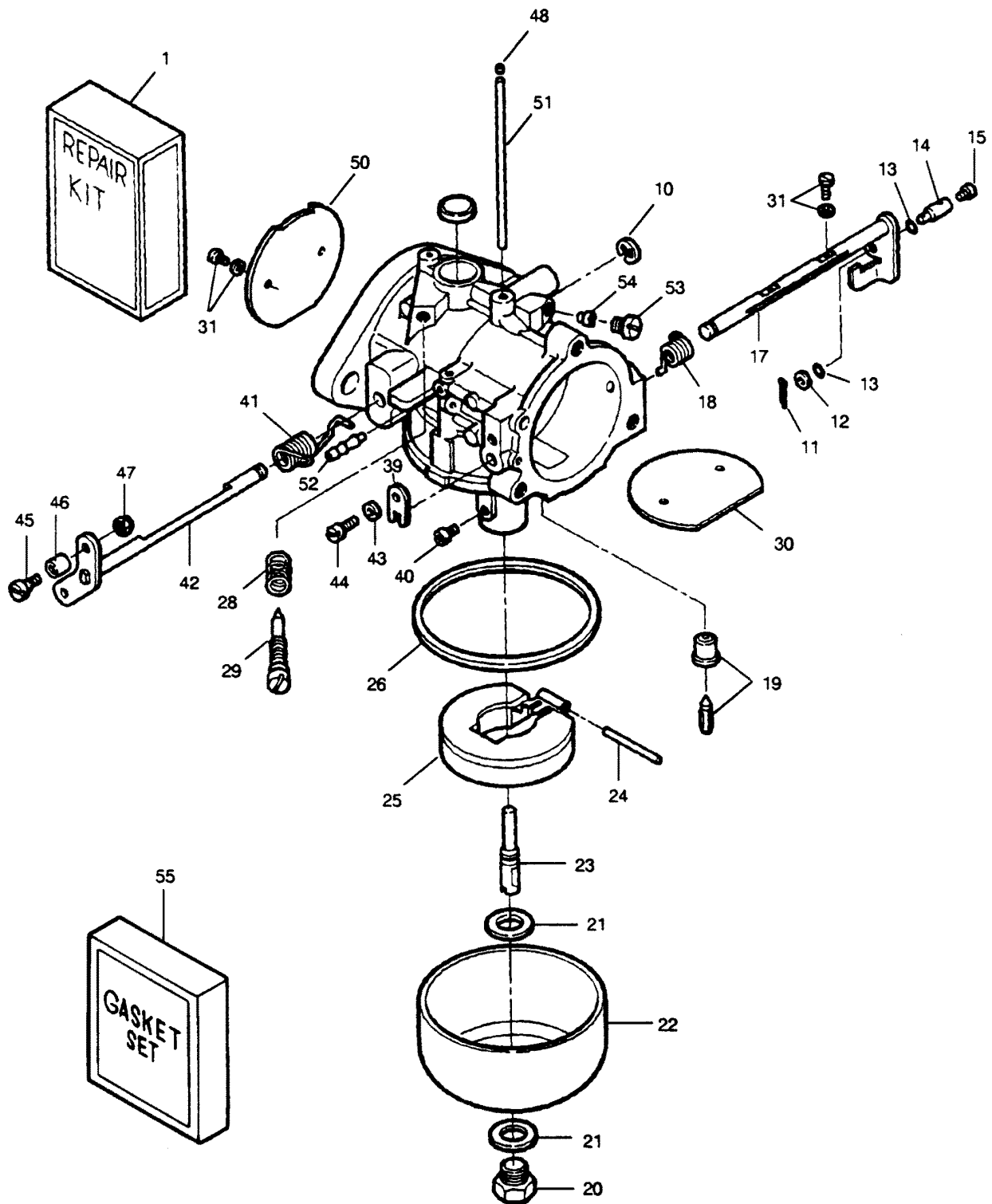


# CARBURETOR

REF. NO.	PART NO.	SYM.	QTY.	DESCRIPTION
1	FK10288		1	REPAIR PARTS KIT
10	FO16620		1	E-RING
11	F1014		2	COTTER PIN
12	F8088		3	PLAIN WASHER
13	F184579		5	O-RING SEAL
14	F184033-1		1	SWIVEL, TOP CARBURETOR
-	<b>F85033</b>		<b>1</b>	<b>SWIVEL, CHOKE ROD (BOTTOM CARBURETOR) (NOT SHOWN)</b>
15	F1059		2	FILL HD. SCREW, 6 - 32 X 1/4
16	F438754		1	HOSE, FUEL
17	FO16301		1	CHOKE SHAFT AND LEVER
18	F10285		1	CHOKE SHAFT RETURN SPRING
19	FK10264		1	NEEDLE-INLET
20	FO16132		1	FUEL BOWL RETAINING SCREW
21	FO5323		2	FUEL BOWL RETAINING SCREW GASKET
22	FO16130		1	FUEL BOWL
23	FO16133		1	MAIN NOZZLE
24	FO13944		1	FLOAT LEVER PIN
25	FO13554		1	FLOAT
26	FO15623		1	FUEL BOWL GASKET
27	F699061		1	CARBURETOR COMPLETE (BOTTOM)
-	<b>F698061</b>		<b>1</b>	<b>CARBURETOR COMPLETE (TOP)</b>
28	FO11103		1	IDLE MIXTURE SCREW SPRING
29	F10268		1	IDLE MIXTURE SCREW
30	FO17719		1	SHUTTER
31	FO8942		4	CHOKE AND THROTTLE SHUTTER SCREW
39	FO9678		1	CLIP, CHOKE SHAFT
40	F10271		1	MAIN FUEL JET STD. .096 SEA LEVEL - 1500 FT. (BOTTOM CARBURETOR)
-	<b>F10269</b>		<b>1</b>	<b>MAIN FUEL JET STD. .098 SEA LEVEL - 1500 FT. (TOP CARBURETOR)</b>
-	<b>FO14190</b>		-	<b>MAIN FUEL JET OPT. .092 1500 - 3000 FT.</b>
-	<b>FO15406</b>		-	<b>MAIN FUEL JET OPT. .090 3000 - 4500 FT.</b>
-	<b>FO13193</b>		-	<b>MAIN FUEL JET OPT. .088 4500 - 6000 FT.</b>
-	<b>FO13949</b>		-	<b>MAIN FUEL JET OPT. .086 6000 FT. &amp; UP</b>
41	FO16143		1	THROTTLE SHAFT RETURN SPRING
42	FO17884		1	THROTTLE SHAFT AND LEVER
43	FO992		1	LOCKWASHER
44	FO1974		1	SCREW
45	F333316		1	THROTTLE ROLLER SHAFT
46	F92759		1	THROTTLE ROLLER
47	F1997		1	STOP NUT, 8 - 32
48	FO10588		8	BODY CHANNEL CUP PLUG
49	FO16128		1	BODY CHANNEL WELCH PLUG

CONTINUED ON NEXT PAGE ➡

# CARBURETOR

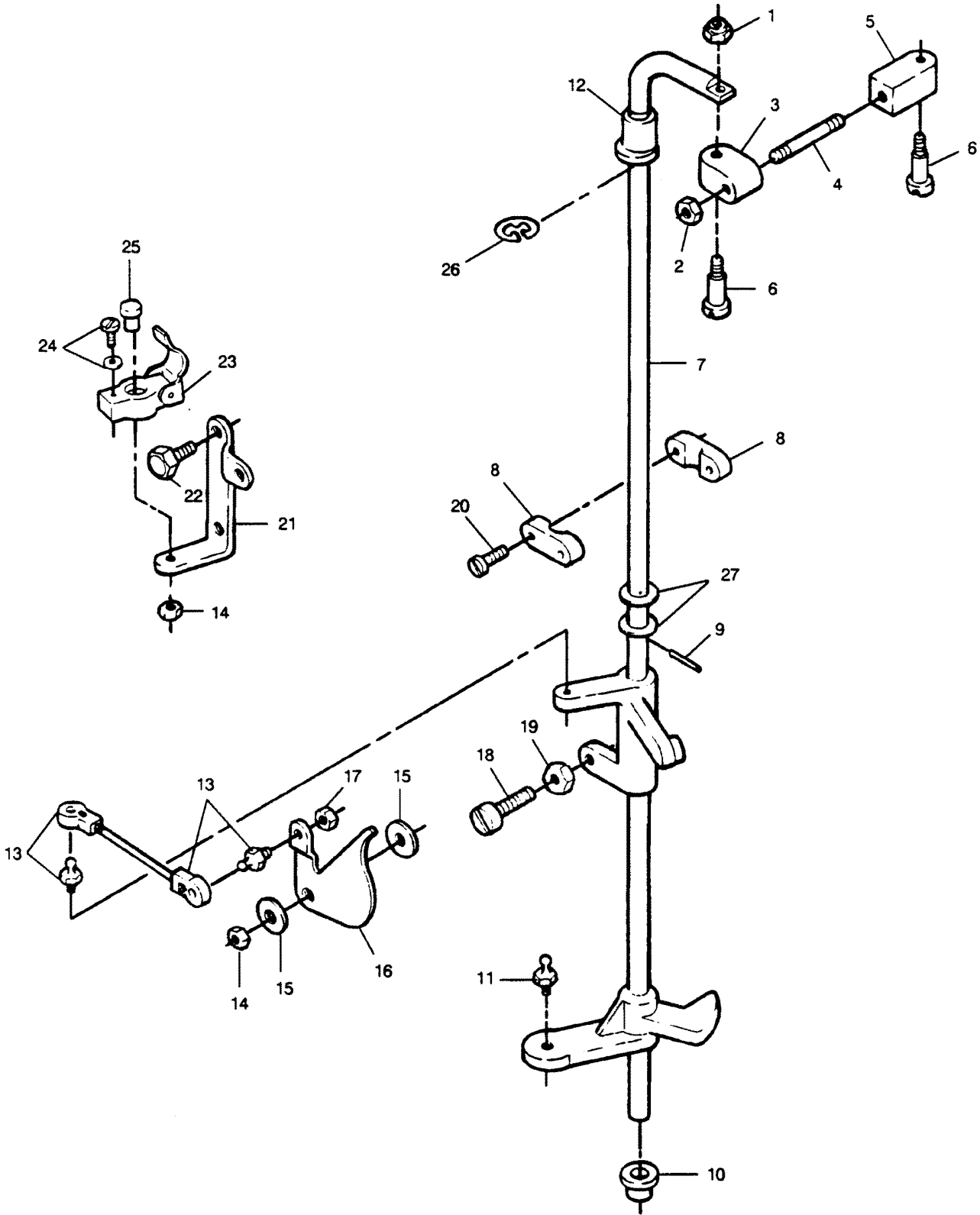




# CARBURETOR

REF. NO.	PART NO.	SYM.	QTY.	DESCRIPTION
50	FO16142		1	THROTTLE SHUTTER
51	FO16993		1	BY-PASS TUBE
52	F10274		1	CONNECTOR
53	F10275		1	SCREW, SEALING
54	F10286		1	JET (.052)
55	FK10023		1	GASKET SET

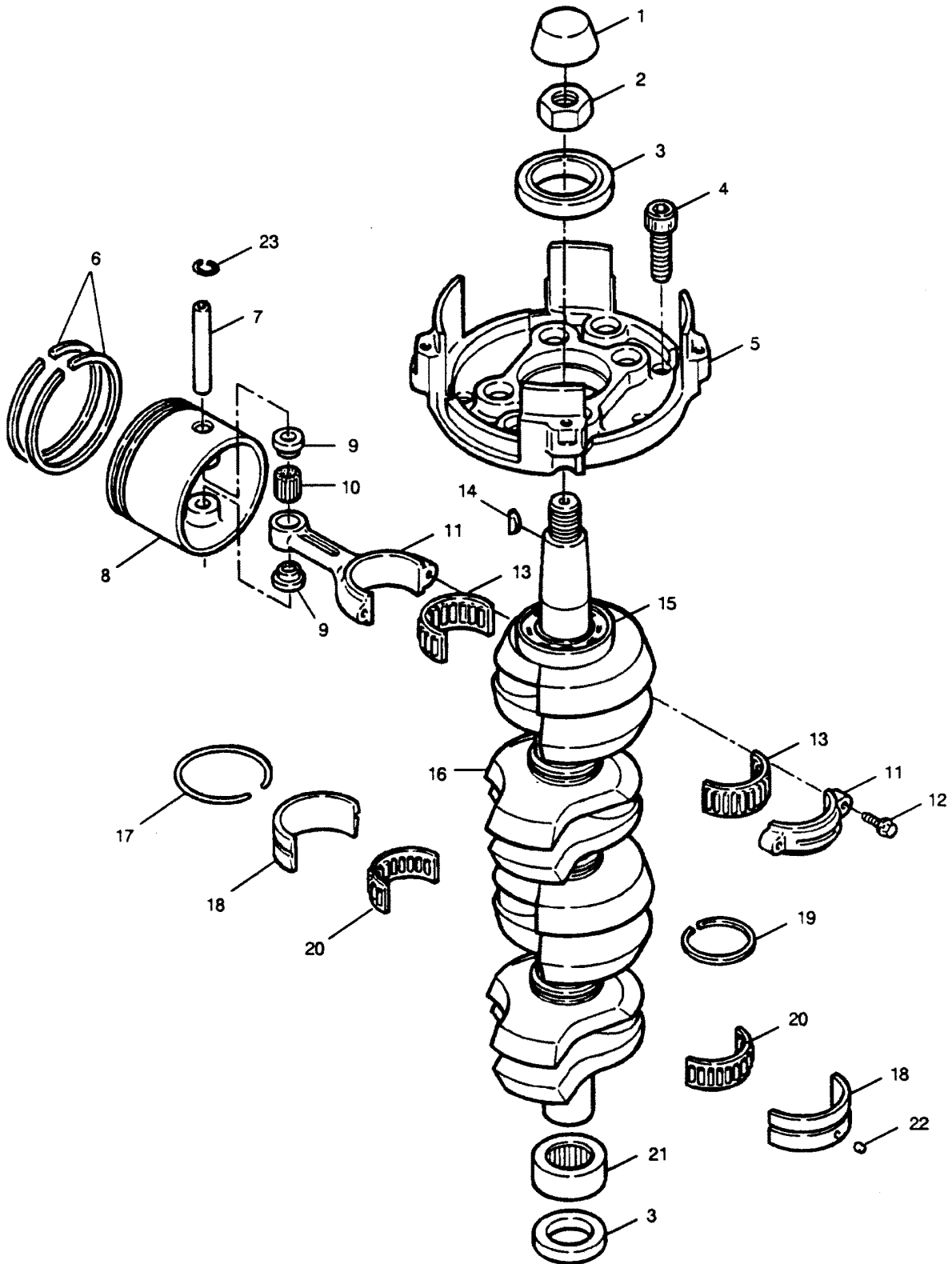
# TOWERSHAFT AND THROTTLE LINKAGE



## TOWERSHAFT AND THROTTLE LINKAGE

REF. NO.	PART NO.	SYM.	QTY.	DESCRIPTION
1	F7009		1	LOCKNUT, #10 -24
2	F2015		1	JAM NUT, 1/4 - 28
3	F499035		1	END, CONTROL ROD (TO TOWERSHAFT)
4	F85445		1	ROD, SPARK CONTROL
5	F499036		1	END, CONTROL ROD (TO TRIGGER)
6	F499026		2	SWIVEL
7	817960A2		1	TOWERSHAFT
8	FA607689		2	BEARING, TOWERSHAFT
9	F8540		2	PIN
10	F40689-1		1	BEARING
11	F640273-1		1	STUD, THROTTLE CONNECTOR
12	F491689-1		1	BEARING, UPPER TOWERSHAFT
13	817747--1		2	JOINT, BALL W/STUD
14	F7008		2	NUT, 1/4 - 20
15	F269319		2	BEARING
16	F698192		1	CAM, THROTTLE
17	F1513		1	NUT, #10 - 32
18	F1504		1	SCREW, THROTTLE STOP, 1/4 - 20 X 1-1/4
19	F1341		1	NUT, 1/4 - 20
20	F1829		2	SCREW, 10 - 24 X 7/8
21	F695872		1	BRACKET, THROTTLE CABLE
22	F1238		2	SCREW, 1/4 - 20 X 3/4
23	FK405020		1	SWIVEL W/CLAMP
24	F2217		1	SCREW, 10 - 24 X 3/8
25	F405457		1	PIVOT
26	F185764		1	RING, RETAINING
27	F1856		2	WASHER

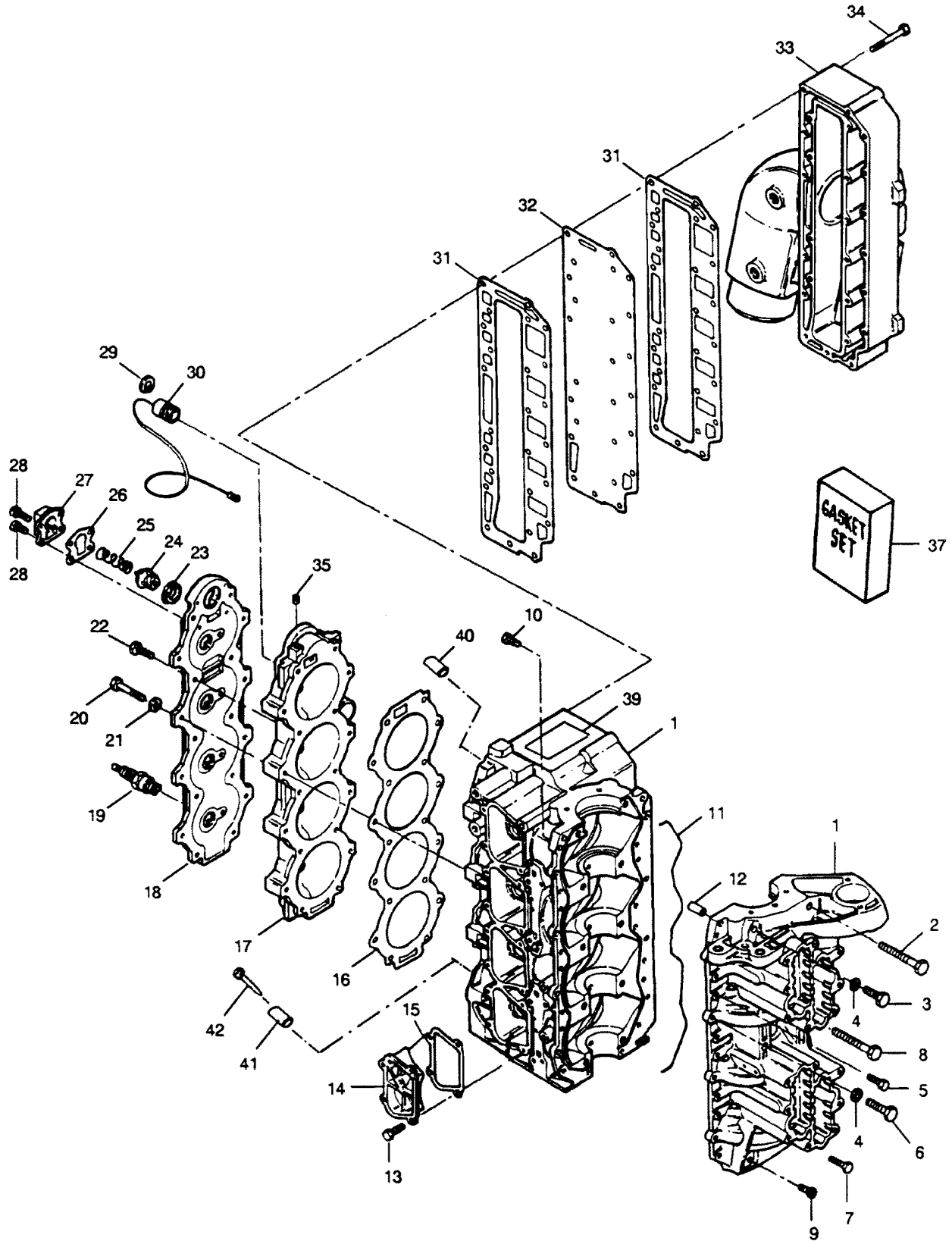
# CRANKSHAFT AND PISTON



# CRANKSHAFT AND PISTON

REF. NO.	PART NO.	SYM.	QTY.	DESCRIPTION
1	F2067		1	CAP
2	F1968		1	NUT, 3/4 - 16
3	F523146-1		2	SEAL, CRANKSHAFT
4	F2081		5	SCREW, 1/4 - 20 X 3/4
5	F2A615144		1	CAGE, BEARING W/SEAL
6	39-817869A1		4	RING, PISTON - STANDARD
-	<b>FSA663260</b>		<b>4</b>	<b>RING, PISTON - .010 OVERSIZE</b>
-	<b>39-817869A3</b>		<b>4</b>	<b>RING, PISTON - .030 OVERSIZE</b>
7	F694017		4	PIN, PISTON
8	F694015		4	PISTON - STANDARD
-	<b>FSA694015</b>		<b>4</b>	<b>PISTON - .010 OVERSIZE</b>
-	<b>700-818134A1</b>		<b>4</b>	<b>PISTON - .030 OVERSIZE</b>
9	F366215		8	SPACER, PISTON PIN
10	F335217-1		4	BEARING, PISTON PIN (26 PER SET)
11	600-818052A4		4	ROD, CONNECTING W/CAP AND SCREW
12	F85634-2		8	SCREW, CONNECTING ROD
13	FK85228-1		4	BEARING CAGE W/ROLLERS
14	F85498-1		1	KEY, FLYWHEEL
15	F284659-2		1	BEARING, UPPER CRANKSHAFT MAIN
16	FA698018		1	CRANKSHAFT W/UPPER MAIN BEARING
17	F85410		3	SNAP RING
18	FA85655-1		3	RACE, CRANKSHAFT MAIN BEARING W/SNAP RING
19	F316579		3	SEAL, CRANKCASE
20	F85571		3	BEARING
21	31-818050A2		1	BEARING, CRANKSHAFT LOWER W/SEAL
22	F85909-1		4	PIN, BEARING LOCATING (PRESSED INTO BLOCK)
23	F694096		8	RETAINER

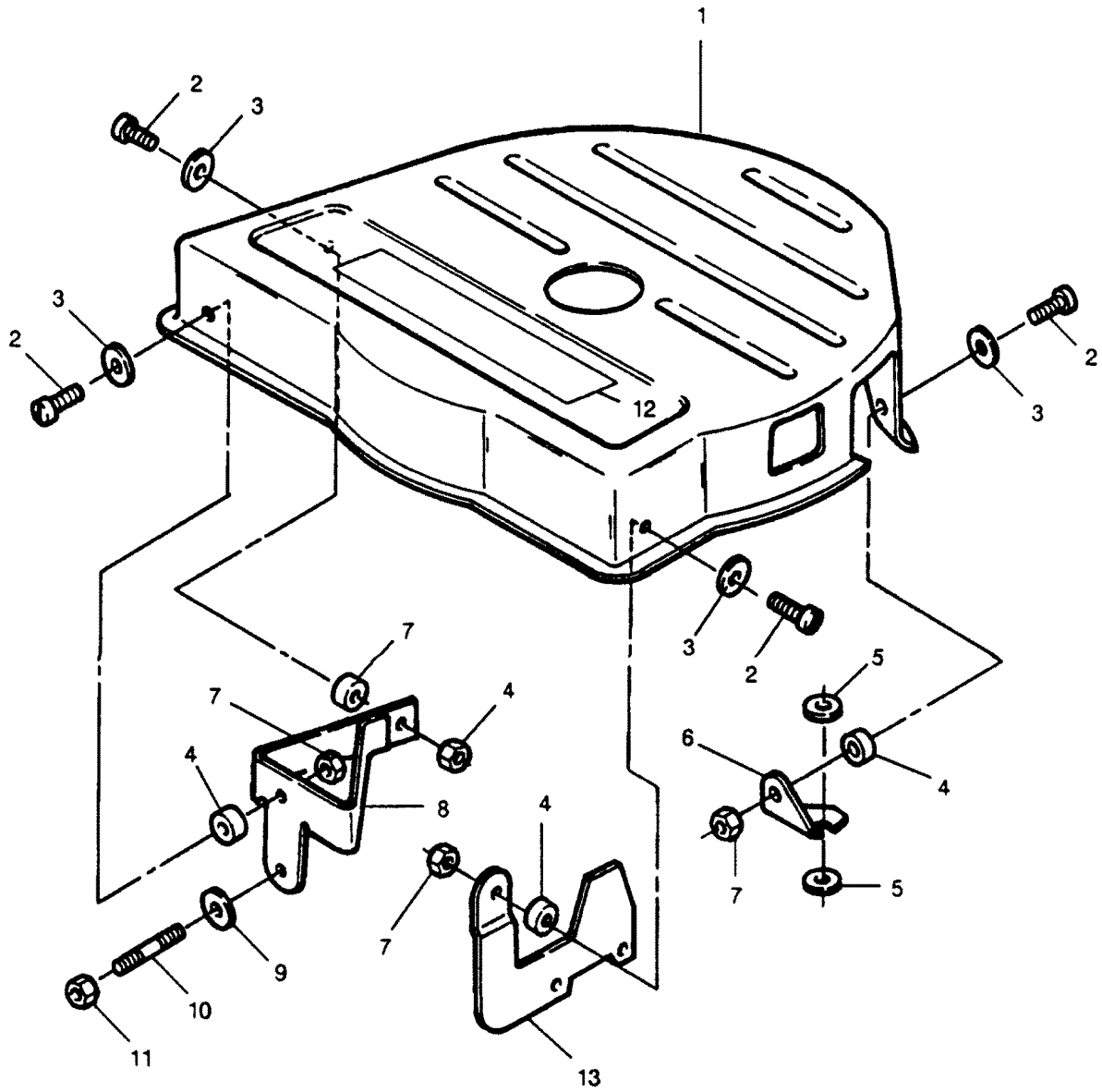
# POWER HEAD



# POWER HEAD

REF. NO.	PART NO.	SYM.	QTY.	DESCRIPTION
1	FA686010		1	CYLINDER
-	<b>FC698010</b>		<b>1</b>	<b>SHORT BLOCK, CYLINDER W/RODS, PISTONS AND CRANKSHAFT</b>
2	F1874		1	SCREW, 3/8 - 16 X 3-1/8
3	F1009		1	SCREW, 3/8 - 16 X 2-3/4
4	F8104		4	WASHER
5	F1864		14	SCREW, 1/4 - 20 X 3/4
6	F1253		4	SCREW, 3/8 - 16 X 2
7	F1872		2	SCREW, 3/8 - 16 X 1-3/4
8	F1873		2	SCREW, 3/8 - 16 X 3
9	F1699		1	SCREW, 1/4 - 20 X 1-1/8
10	F1504		2	SCREW, 1/4 - 20 X 1-1/4
11	F184122-1		1	SEAL, PARTING LINE
12	F8563		2	DOWEL PIN
13	F1502		13	SCREW, 1/4 - 20 X 5/8
14	817790A1		3	COVER, TRANSFER PORT
15	F40223		4	GASKET, TRANSFER PORT COVER
16	F476529-1		1	GASKET, CYLINDER HEAD
17	F665518		1	HEAD
18	F665995		1	COVER, CYLINDER HEAD
19	33-818007--1		4	SPARK PLUG (CHAMPION UL-18V)
20	F1987		18	WASHER
21	F1883		18	SCREW, 5/16 - 18 X 2-3/8
22	F1203		4	SCREW, 1/4 - 20 X 7/8
23	F664914		1	SEAL
24	F664068		1	THERMOSTAT (130-)
25	F664268		1	SPRING
26	F476067		1	GASKET
27	F476066-1		1	COVER
28	F1107		4	SCREW, 1/4 - 20 X 3/4
29	F428096		1	RING, RETAINING
30	F695449-1		1	THERMOSWITCH
31	F695154		2	GASKET, EXHAUST PORT PLATE
32	F698151		1	PLATE, EXHAUST PORT
33	F698866		1	MANIFOLD, EXHAUST PORT
34	F2237		25	SCREW, 1/4 - 20 X 3
35	F19109		1	PLUG
37	FG1026-1		1	GASKET SET
39	F693398		1	DECAL, WIRING
40	F686943		1	TUBE, WATER JACKET (TOP)
41	F686418		2	TUBE, WATER JACKET
42	F694372-1		2	PIN

# FLYWHEEL COVER

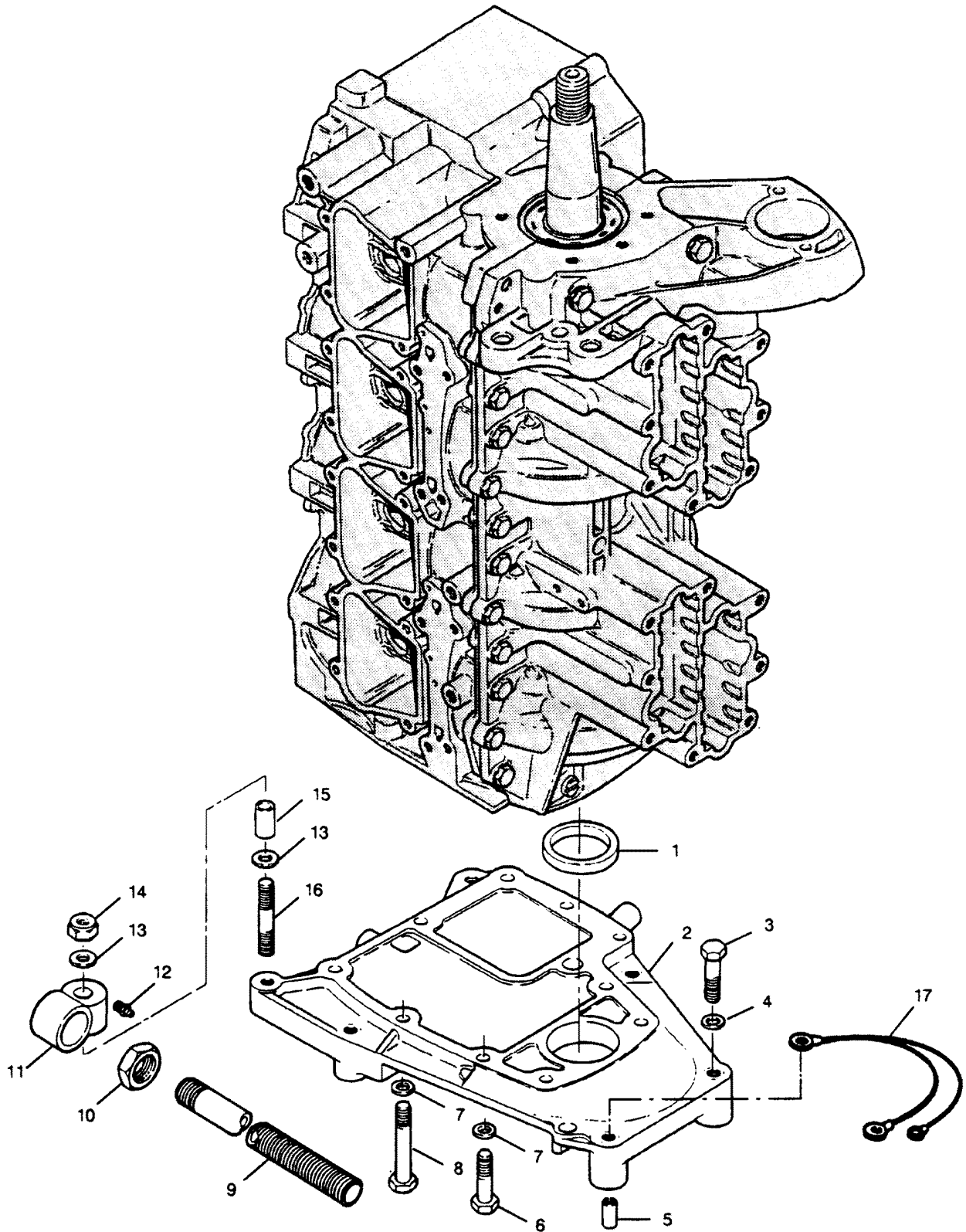




# FLYWHEEL COVER

REF. NO.	PART NO.	SYM.	QTY.	DESCRIPTION
1	F695262		1	GUARD
2	F2421		4	SCREW, 5/16 X 3/8
3	F1739		4	WASHER
4	F695802		4	BUSHING
5	F8028		2	WASHER
6	F695952		1	BRACKET
7	F7008		4	NUT, 1/4 - 20
8	F695953		1	BRACKET
9	F8137		1	WASHER
10	F695210		1	STUD
11	F7006		1	NUT, 5/16 - 18
12	F722386		1	DECAL, FLYWHEEL COVER
13	F698951		1	BRACKET

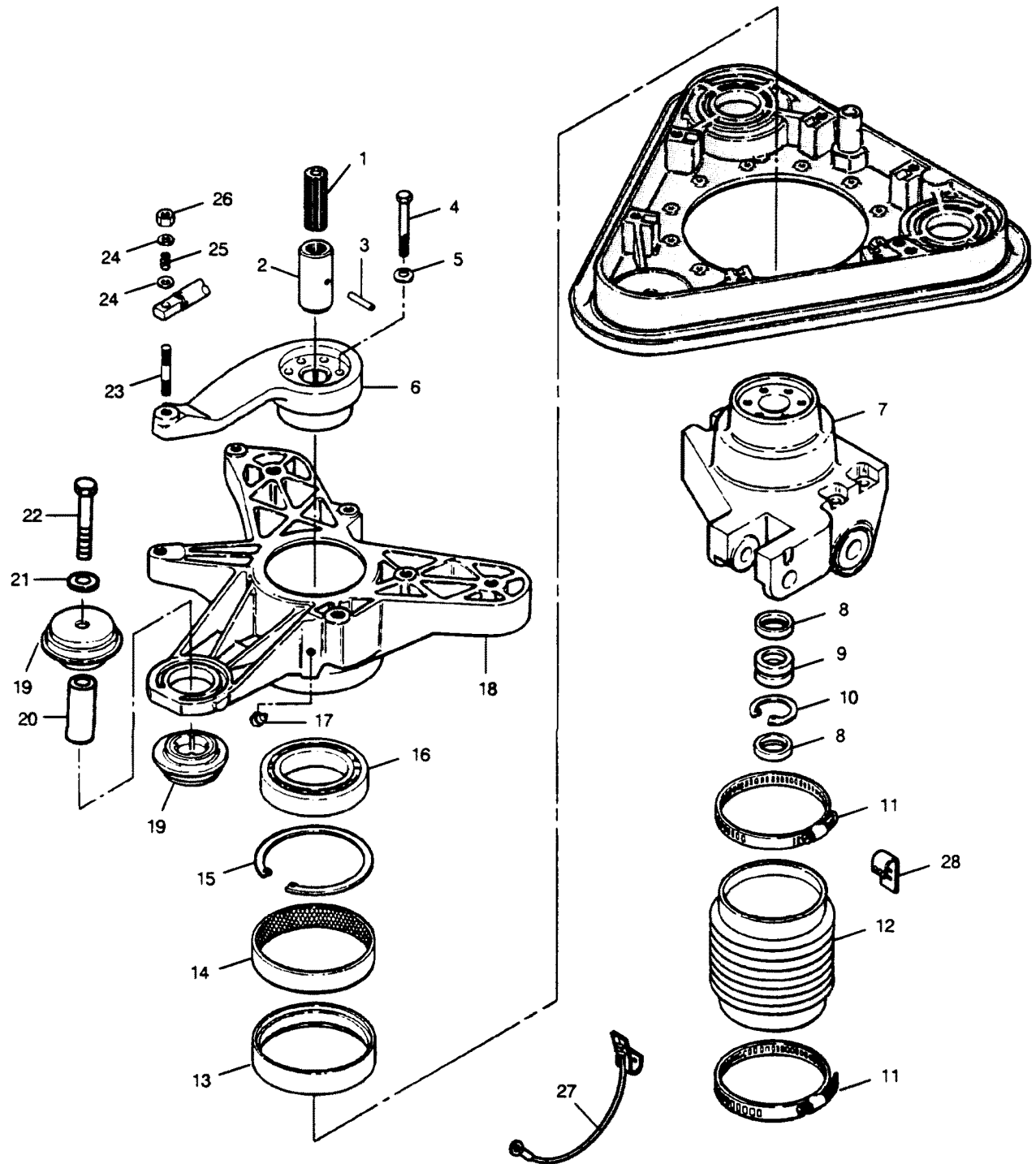
# SPACER PLATE AND STEERING TUBE



## SPACER PLATE AND STEERING TUBE

REF. NO.	PART NO.	SYM.	QTY.	DESCRIPTION
1	F695043		1	SLEEVE, ADAPTER
2	F698680		1	PLATE, SPACER W/SLEEVE
3	F1544		5	SCREW, 3/8 - 16 X 2-1/4
4	F8075		5	WASHER
5	F8585		2	DOWEL PIN
6	F1005		4	SCREW, 3/8 - 16 X 1-1/2
7	F8075		10	WASHER
8	F1544		6	SCREW 3/8 - 16 X 2-1/4
9	F695692		1	TUBE, STEERING
10	F7037		4	NUT, 7/8 - 14
11	FA695487		1	GUIDE, STEERING CABLE W/GREASE FITTING
12	F523274		1	GREASE FITTING
13	F8151		2	WASHER
14	F695697		1	STOP NUT, 7/16 - 20
15	F698281		1	SPACER
16	F698273		1	STUD
17	F695907		1	CABLE, GROUND

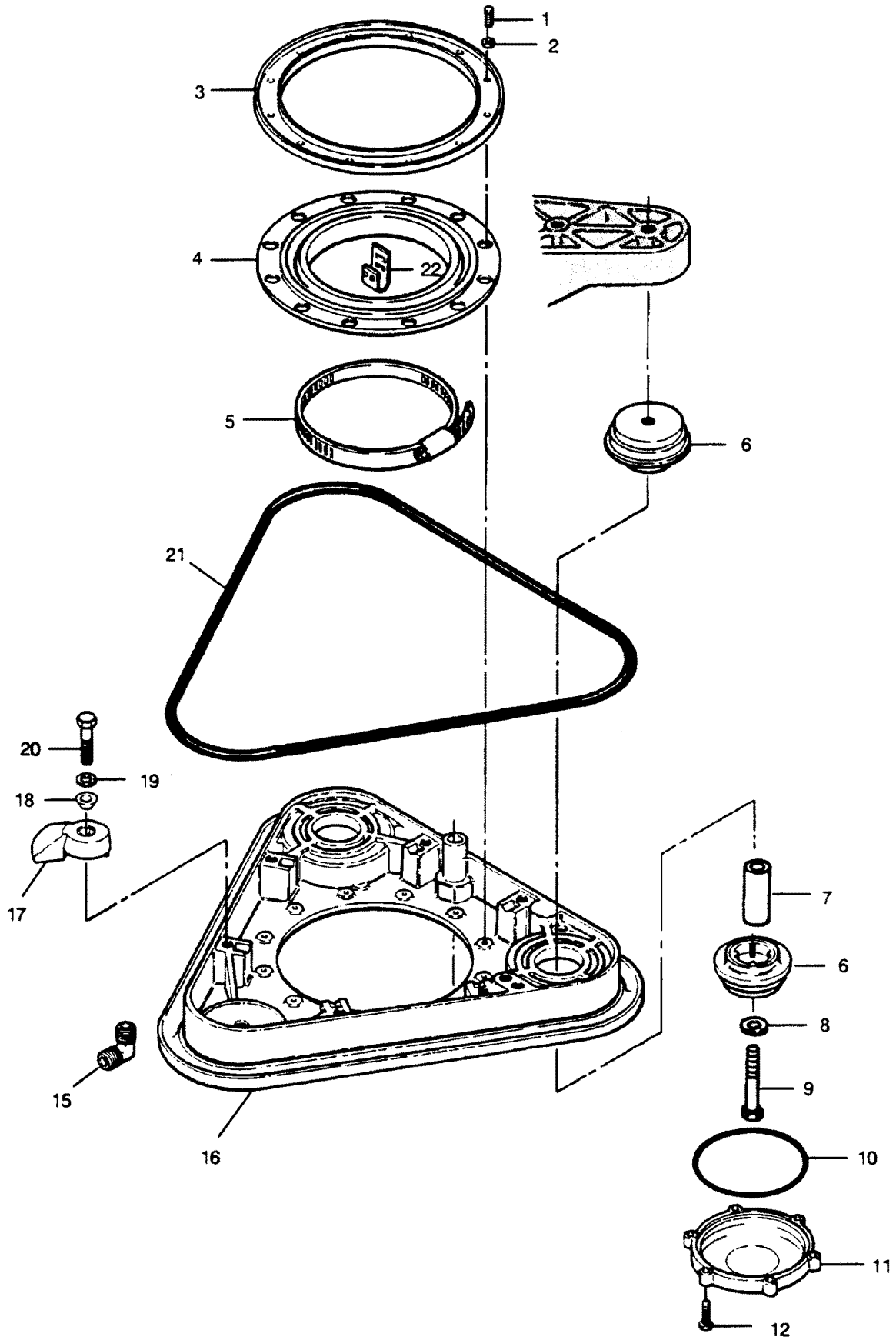
# MOUNT AND STEERING YOKE



# MOUNT AND STEERING YOKE

REF. NO.	PART NO.	SYM.	QTY.	DESCRIPTION
1	F695628-1		1	DRIVESHAFT
2	F695125		1	COUPLER
3	F8585		1	DOWEL PIN
4	F1883		5	SCREW, 5/16 - 18 X 2-3/8
5	F1907		5	WASHER
6	F695582-3		1	ARM, STEERING
7	FS695607		1	YOKE, STEERING W/BEARING & SEALS
8	F695783		2	SEAL
9	F695014		1	BEARING
10	F695208		1	RING, RETAINING
11	F506772-1		2	CLAMP
12	F695129		1	BELLOWS, U-JOINT
13	F695278		1	SEAL
14	F695816		1	BEARING, STEERING
15	F695420		1	RING, RETAINING
16	F695910		1	BEARING
17	F698476		1	FITTING, GREASE
18	F695346		1	MOUNT
19	F695965		2	MOUNT, ISOLATOR
20	F698902		1	SPACER
21	F8145		1	WASHER
22	F2224		1	SCREW, 1/2 - 13 X 3-1/4
23	F695273		1	STUD, STEERING CABLE
24	F8038		2	WASHER
25	F523300-1		1	SPRING
26	F7004		1	NUT, 3/8 - 16
27	F695042		1	CABLE, GROUND
28	F695673		1	CLIP

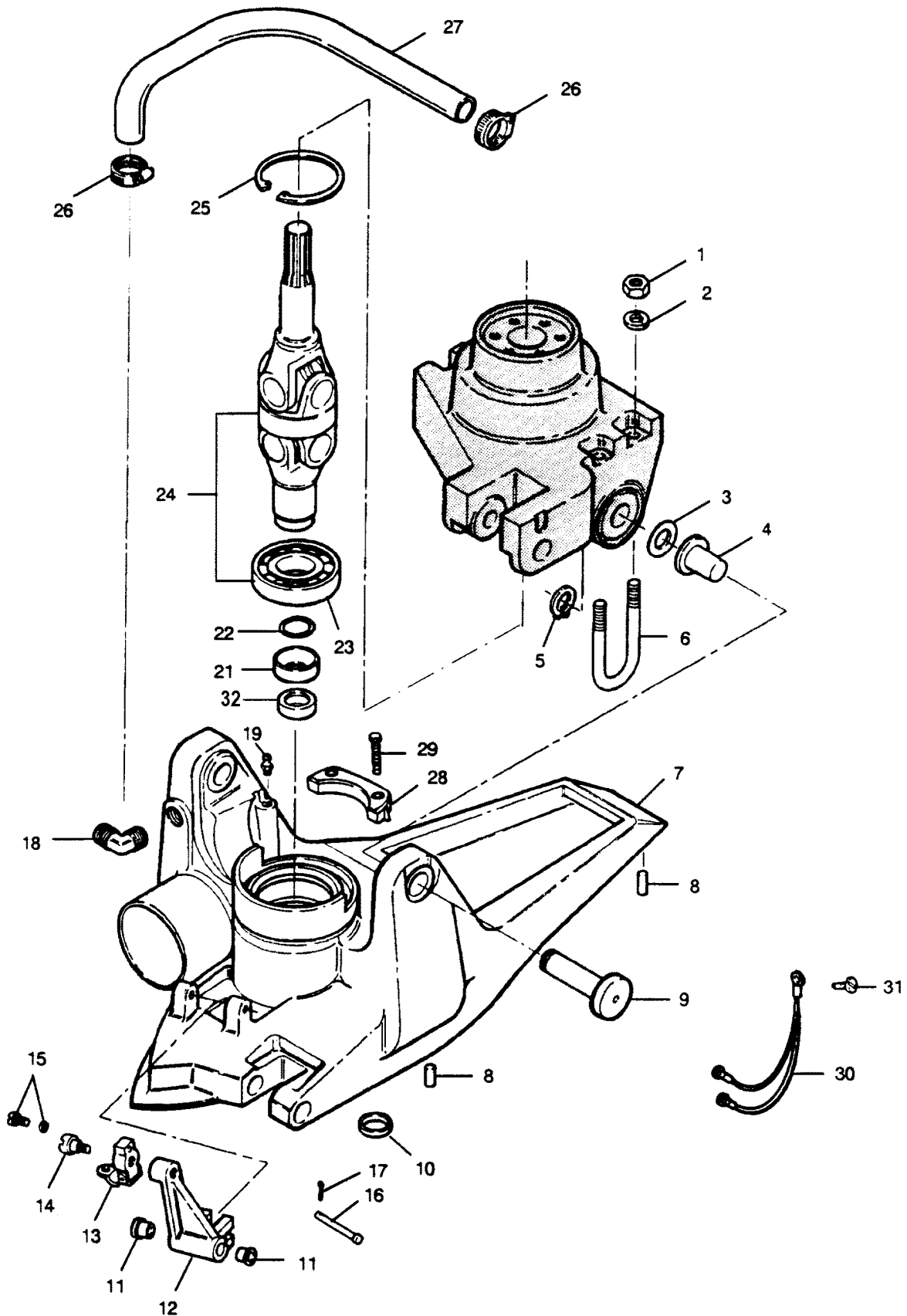
# TRANSOM PLATE



# TRANSOM PLATE

REF. NO.	PART NO.	SYM.	QTY.	DESCRIPTION
1	F1950		12	SCREW, 10 - 24 X 5/8
2	F2042		12	WASHER
3	F695741		1	RING, SEAL
4	F695342		1	SEAL, WATER
5	F695920		1	CLAMP, WATER SEAL
6	F695965		4	MOUNT, ISOLATOR
7	F698902		2	SPACER
8	F8145		2	WASHER
9	F2224		2	SCREW, 1/2 - 13 X 3-1/4
10	F695989		2	SEAL, O-RING
11	F695946		2	COVER
12	F2240		12	SCREW, 10 - 24 X 7/8
15	F695131		1	ELBOW, WATER INLET
16	F695212		1	PLATE, TRANSOM
17	F695870		6	CLAMP
18	F695422		6	PIVOT, BALL
19	F2014		6	WASHER
20	F1872		6	SCREW, 3/8 - 16 X 1-3/4
21	FS695736		1	SEAL, O-RING
22	F695701		1	CLIP, GROUNDING

# U-JOINT AND HOUSING

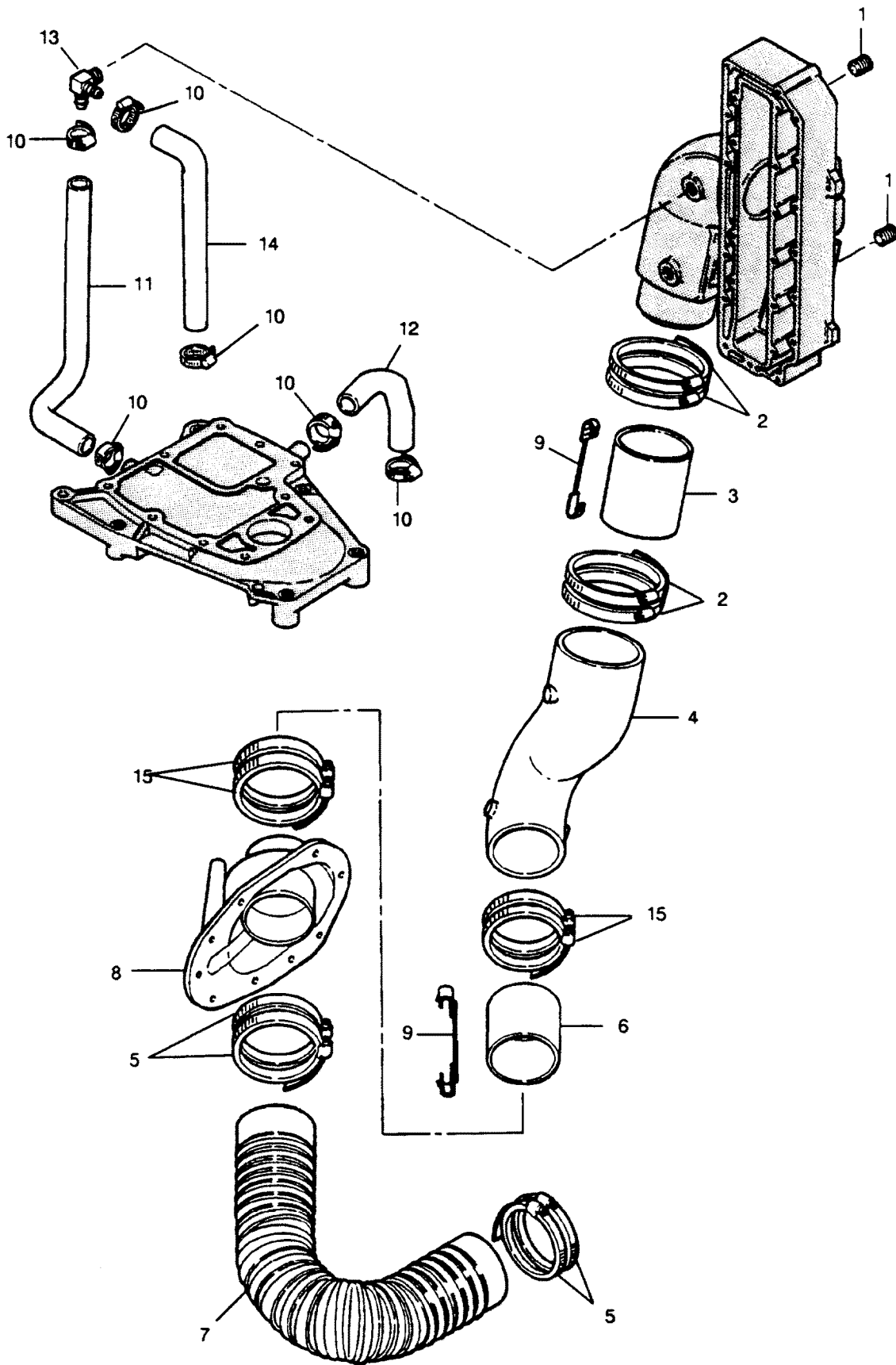




# U-JOINT AND HOUSING

REF. NO.	PART NO.	SYM.	QTY.	DESCRIPTION
1	F7025		2	NUT, 3/8 - 16
2	F2014		2	WASHER
3	F695175		2	WASHER
4	F695610		2	BEARING
6	F695632		1	"U"-BOLT
5	F695807		2	RING, RETAINING
7	817980A2		1	HOUSING, U-JOINT
-	<b>817922A1</b>		<b>1</b>	<b>U-JOINT HOUSING W/U-JOINT</b>
8	F8580		2	PIN, LOCATING
9	F695440		2	PIN, PIVOT
10	F694736		1	SEAL, WATER PUMP OUTLET
11	F695189		2	BUSHING
12	F695621		1	LEVER, SHIFT
13	FK405020		1	CLAMP W/PIVOT SCREW
14	F405457		1	PIVOT SCREW
15	F2217		1	SCREW W/LOCKWASHER, 10 - 24 X 3/8
16	F695620		1	PIN, SHIFT ARM
17	F8581		1	COTTER PIN
18	F695131		1	ELBOW, WATER LINE
19	F98273		1	BALL STUD
21	F695735		1	SEAL
22	F695618		1	SEAL
23	F695527		1	BEARING
24	F2A695141		1	UNIVERSAL JOINT W/BEARING
25	F695764		1	RING, RETAINING
26	F695771		2	CLAMP
27	F695259-1		1	HOSE
28	F695485		1	ANODE
29	F1657		2	SCREW, 5/16 - 18 X 1-3/4
30	F695905		1	CABLE, GROUND
31	F2217		5	SCREW, 10-24 X 3/8
32	26-F695735		1	SEAL, LOWER U-JOINT

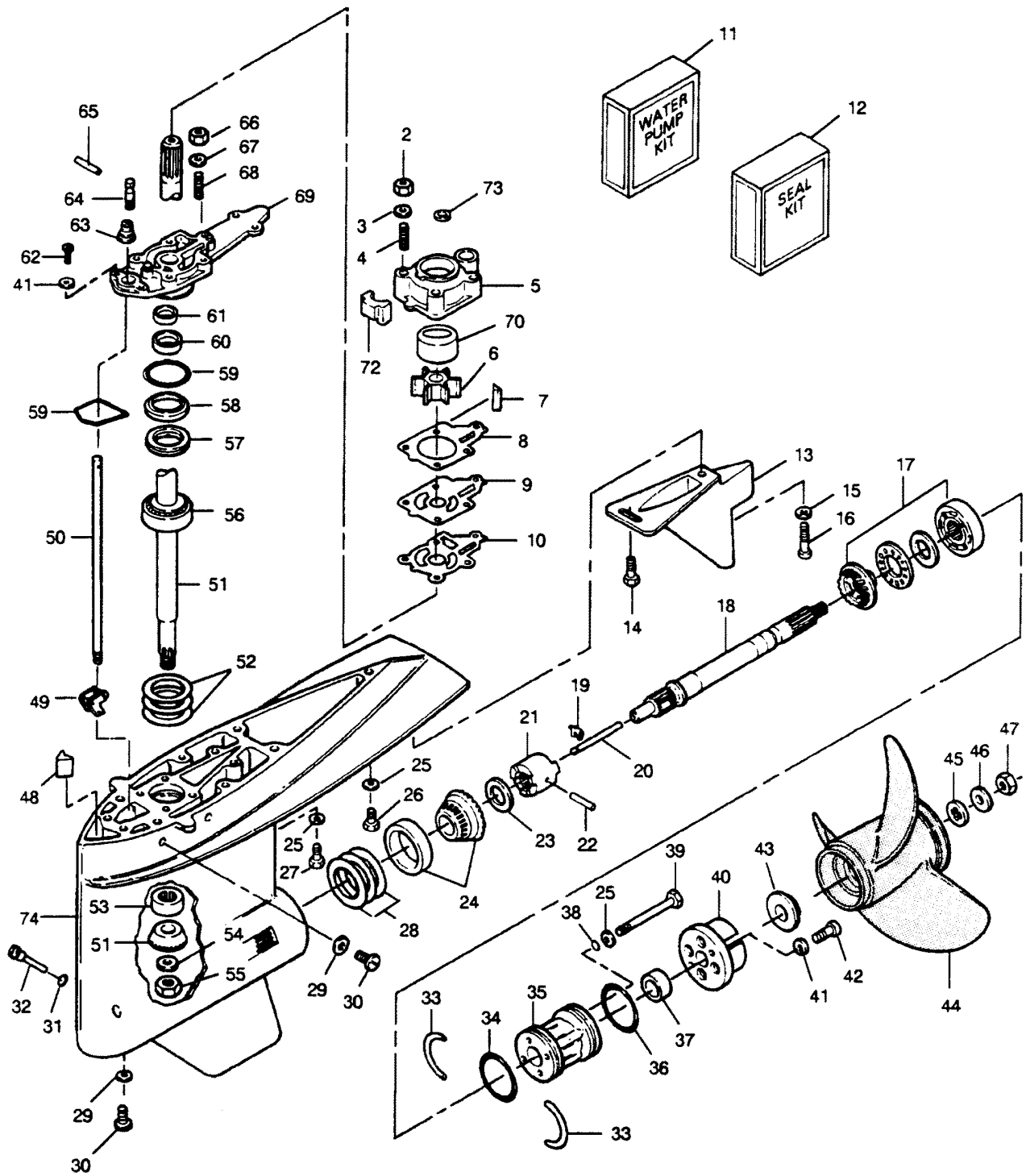
# EXHAUST SYSTEM



# EXHAUST SYSTEM

REF. NO.	PART NO.	SYM.	QTY.	DESCRIPTION
1	F695275		4	FITTING (PIPE PLUG)
2	F695649		4	CLAMP
3	F695261-1		1	HOSE, EXHAUST
4	F695167		1	ELBOW, INTERMEDIATE
5	F695774-1		4	CLAMP, HOSE
6	F695276-2		1	HOSE, EXHAUST
7	F695130-3		1	BELLOWS, EXHAUST
8	F695996		1	FLANGE, EXHAUST
9	F695683		2	CABLE, GROUND
10	F695771		6	CLAMP, HOSE
11	F695773		1	HOSE, EXHAUST MANIFOLD & SPACER PLATE
12	F695254		1	HOSE
13	F695922		1	FITTING
14	F695255-2		1	HOSE, WATER
15	F695722		4	CLAMP, HOSE

# GEAR HOUSING

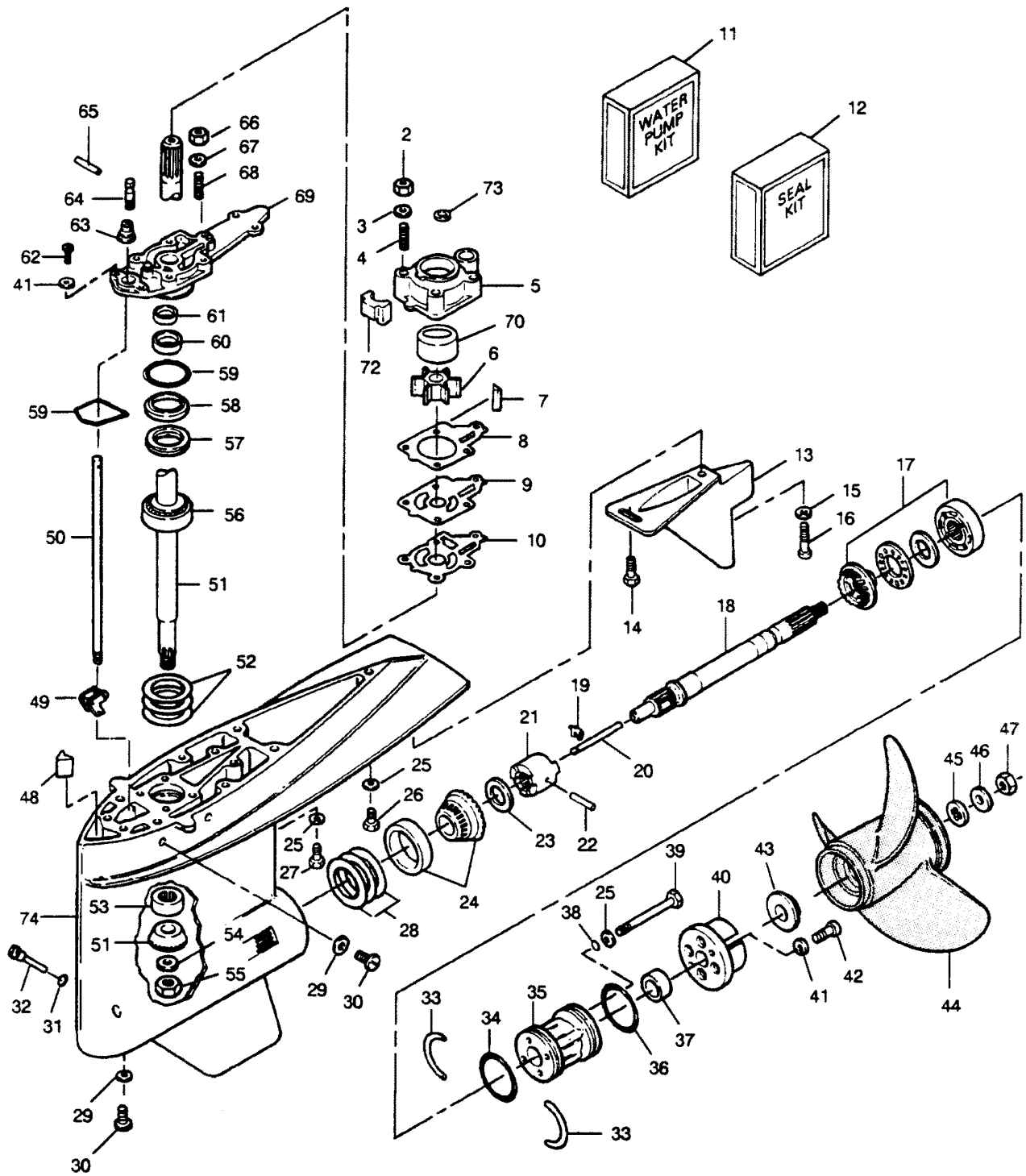


# GEAR HOUSING

REF. NO.	PART NO.	SYM.	QTY.	DESCRIPTION
2	F7061		4	NUT, 1/4 - 28
3	F2012		4	WASHER
4	F694210		4	STUD
5	46-817978A2		1	BODY, WATER PUMP W/INSERT
6	F694065		1	IMPELLER
7	F694498		1	KEY
8	F694031		1	GASKET, UPPER WATER PUMP
9	F699562		1	PLATE
10	F694830		1	GASKET, LOWER WATER PUMP
11	FK1204		1	KIT, WATER PUMP
12	FK1203		1	KIT, LOWER UNIT SEAL
13	F695116-2		1	SNOOT, EXHAUST
14	F438930		1	RETAINER
15	F1856		1	WASHER
16	F1994		1	SCREW, 5/16 - 18 X 1
17	F2A694662		1	GEAR, REVERSE W/BEARING
18	FA694098		1	PROP SHAFT
19	F90619-2		1	YOKE
20	F84871-1		1	PIN, GEAR SHIFT
21	F694521		1	CLUTCH
22	F1713		1	SPRING PIN
23	F2310		A/R	SPACER (.050)
-	<b>F2290</b>		<b>A/R</b>	<b>SPACER (0.60)</b>
-	<b>F2291</b>		<b>A/R</b>	<b>SPACER (.070)</b>
-	<b>F2292</b>		<b>A/R</b>	<b>SPACER (.080)</b>
24	FS694023		1	GEAR, FORWARD W/BEARING AND CUP
25	F1907		11	WASHER
26	F1858		1	SCREW, 5/16 - 18 X 1
27	F1491		6	SCREW, 5/16 - 18 X 3-1/4
28	F9284		A/R	SHIM (.002)
-	<b>F9283</b>		<b>A/R</b>	<b>SHIM (.003)</b>
-	<b>F9282</b>		<b>A/R</b>	<b>SHIM (.005)</b>
-	<b>F9281</b>		<b>A/R</b>	<b>SHIM (.010)</b>
29	F8077		3	WASHER
30	F50109		3	PLUG
31	F498618		1	SEAL
32	F498891		1	PIN, GEAR SHIFT
33	F523411		2	RETAINING RING
34	F84305		1	SEAL
35	F2A523239		1	SPOOL, PROPELLER SHAFT W/BEARING AND SEAL
36	F24278		1	SEAL
37	F506118-1		1	SEAL
38	F50342-1		4	SEAL

CONTINUED ON NEXT PAGE ➡

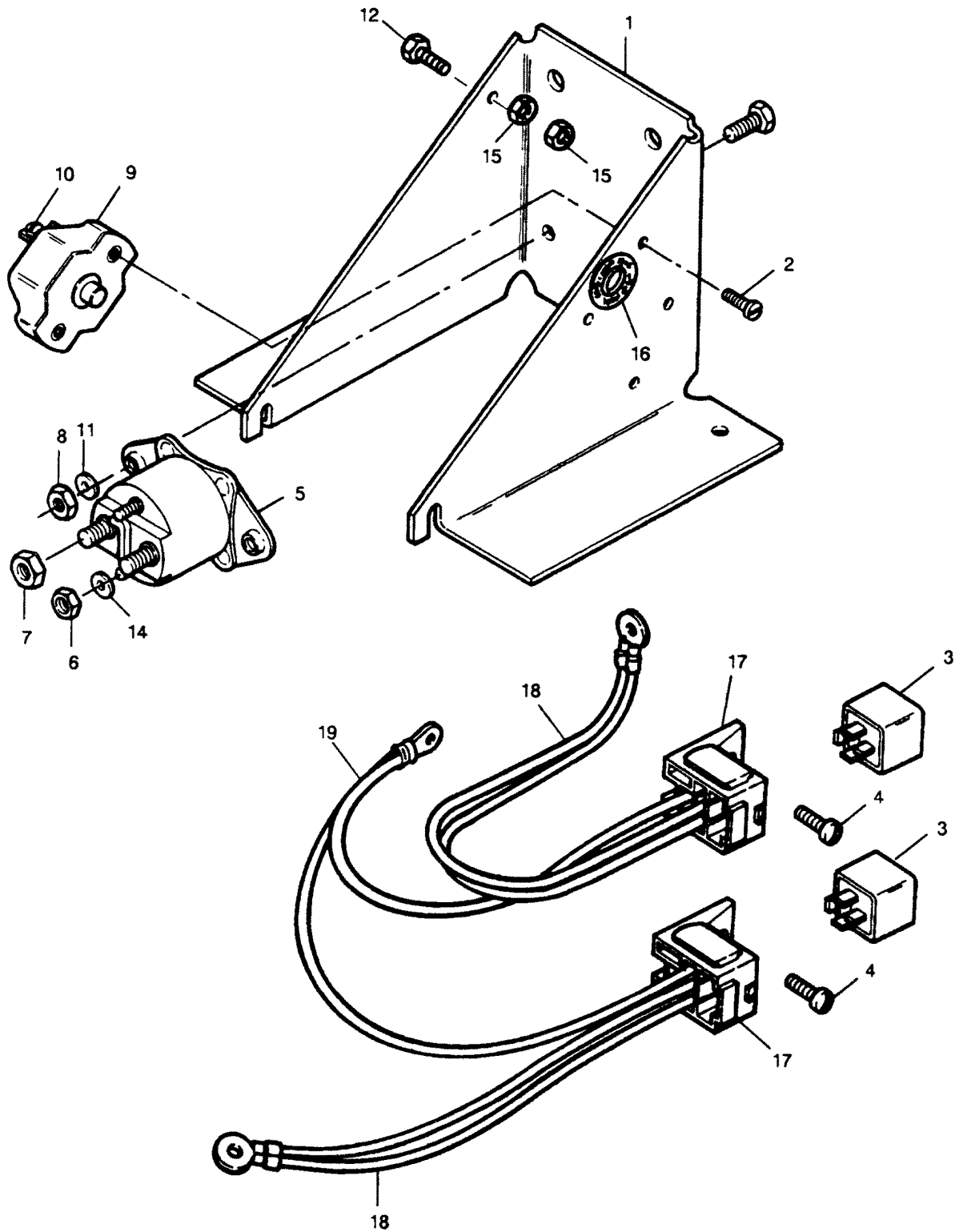
# GEAR HOUSING



# GEAR HOUSING

REF. NO.	PART NO.	SYM.	QTY.	DESCRIPTION
39	F1885		4	SCREW, 5/16 - 18 X 4-1/4
40	FA523485		1	ANODE, ANTI-CORROSION
41	F8083		6	LOCKWASHER
42	F1112		2	SCREW, 1/4 - 20 X 7/8
43	F694099		1	SPACER
45	F523282		1	WASHER, PROP SPLINE
46	F8167		1	WASHER
47	F7000		1	STOP NUT, 3/4 - 16
48	F694226		1	PLUG, PITOT TUBE
49	FA84621-1		1	COUPLING, GEAR SHIFT
50	F694705		1	ROD, SHIFT
51	FS694628		1	DRIVESHAFT W/BEARING AND PINION GEAR
52	F9280		A/R	SHIM (.002)
-	<b>F9279</b>		<b>A/R</b>	<b>SHIM (.003)</b>
-	<b>F9278</b>		<b>A/R</b>	<b>SHIM (.005)</b>
-	<b>F9277</b>		<b>A/R</b>	<b>SHIM (.010)</b>
53	F694057		1	BEARING
54	F694186		1	WASHER
55	F694188		1	NUT, PINION
56	F694058		1	BEARING (CONE)
57	F694056		1	CUP, BEARING
58	F694961		1	RETAINER, BEARING
59	F74305		2	SEAL
60	F694305		1	SEAL
61	F694307		1	SEAL
62	F1999		4	SCREW, 1/4 - 20 X 7/8
63	F694618		1	BELLOWS
64	F695685		1	CONNECTOR, SHIFT ROD
65	F695871		1	SHAFT, SHIFT ROD
66	F7062		1	NUT, 10 - 32
67	F2042		1	WASHER
68	F694211		1	STUD
69	FK721706		1	COVER, GEAR HOUSING
71	F694564-1		1	LINER, WATER PUMP
72	F698735-1		1	SEAL, EXHAUST
73	25-F695830		1	O-RING
-	<b>FC698054</b>		<b>1</b>	<b>GEAR HOUSING COMPLETE</b>
-	<b>F1845</b>		<b>1</b>	<b>TY-RAP (NOT SHOWN)</b>

# TRIM PUMP BRACKET AND RELAYS

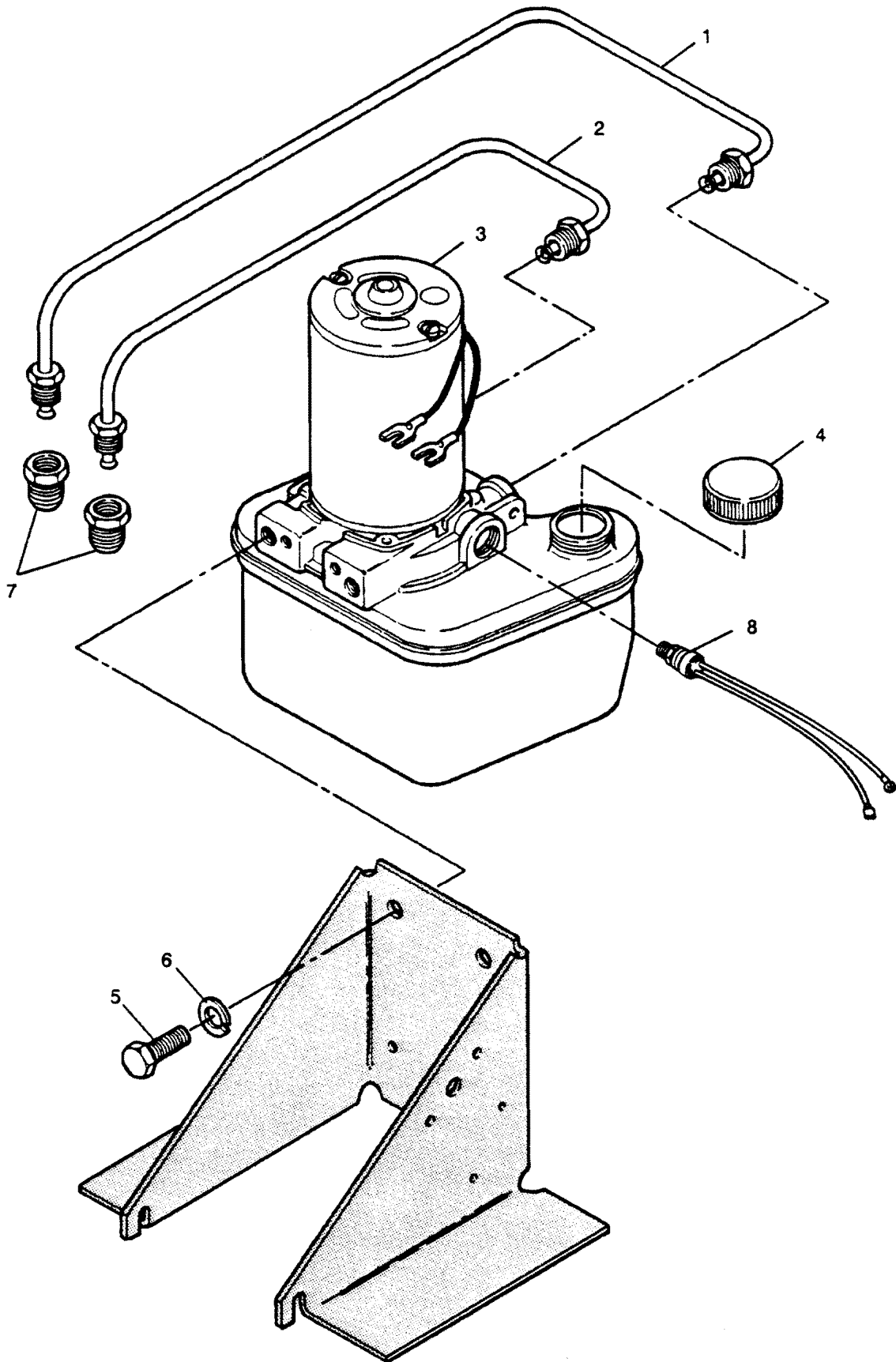




## TRIM PUMP BRACKET AND RELAYS

REF. NO.	PART NO.	SYM.	QTY.	DESCRIPTION
1	F695371-1		1	BRACKET, TRIM COMPONENTS
2	F1303		2	SCREW, 8 - 32 X 3/4
3	F698917		2	RELAY, TRIM
4	F1760		2	SCREW, 10 - 24 X 3/8
5	F460917-1		1	RELAY, STARTER
6	F1513		2	NUT, 10 - 32
7	F1515		2	NUT, 5/16 - 18
8	F1341		2	NUT, 1/4 - 20
9	F695460		1	BREAKER (CIRCUIT)
10	F1280		2	SCREW, 8 - 32 X 1/4
11	F8083		1	WASHER
12	F1999		3	SCREW
13	F8158		1	WASHER
14	F1975		2	WASHER
15	F1641		2	NUT, 1/4 - 28
16	F695374		1	DECAL, CIRCUIT BREAKER
17	F695293		2	SOCKET
18	F685683		2	WIRE ASSY. - BLACK
19	F685583		1	WIRE ASSY. - RED/PURPLE STRIPE

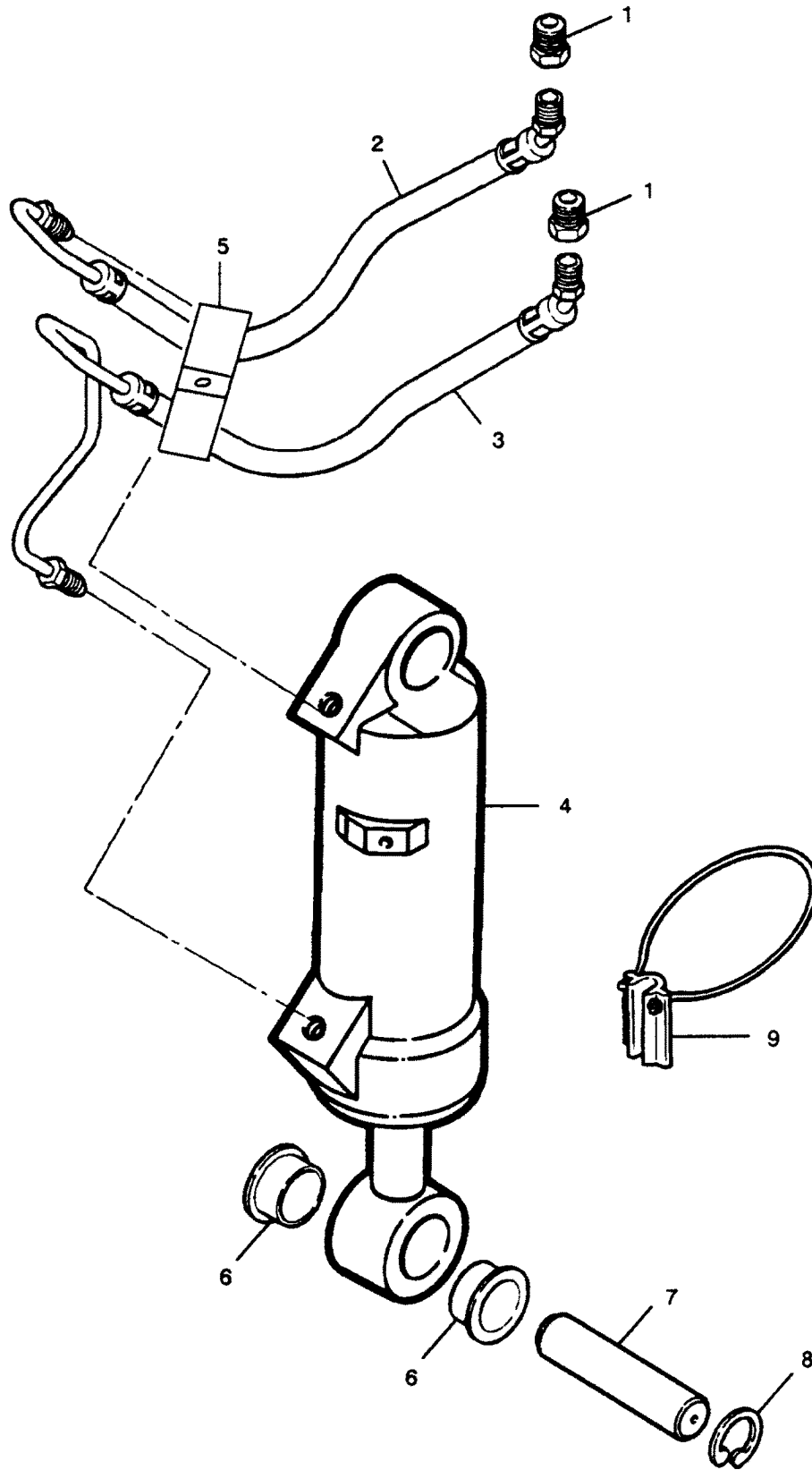
# TRIM PUMP AND LINES



## TRIM PUMP AND LINES

REF. NO.	PART NO.	SYM.	QTY.	DESCRIPTION
1	F695243		1	LINE, HYDRAULIC (UP)
2	F695253		1	LINE, HYDRAULIC (DOWN)
3	F695541-1		1	PUMP, HYDRAULIC W/ RESERVOIR
4	F17637		1	CAP
5	F1871		2	SCREW, 3/8 - 16 X 3/4
6	F2014		2	WASHER
7	F698059		2	FITTING, HYDRAULIC
8	F695602		1	SWITCH, PRESSURE

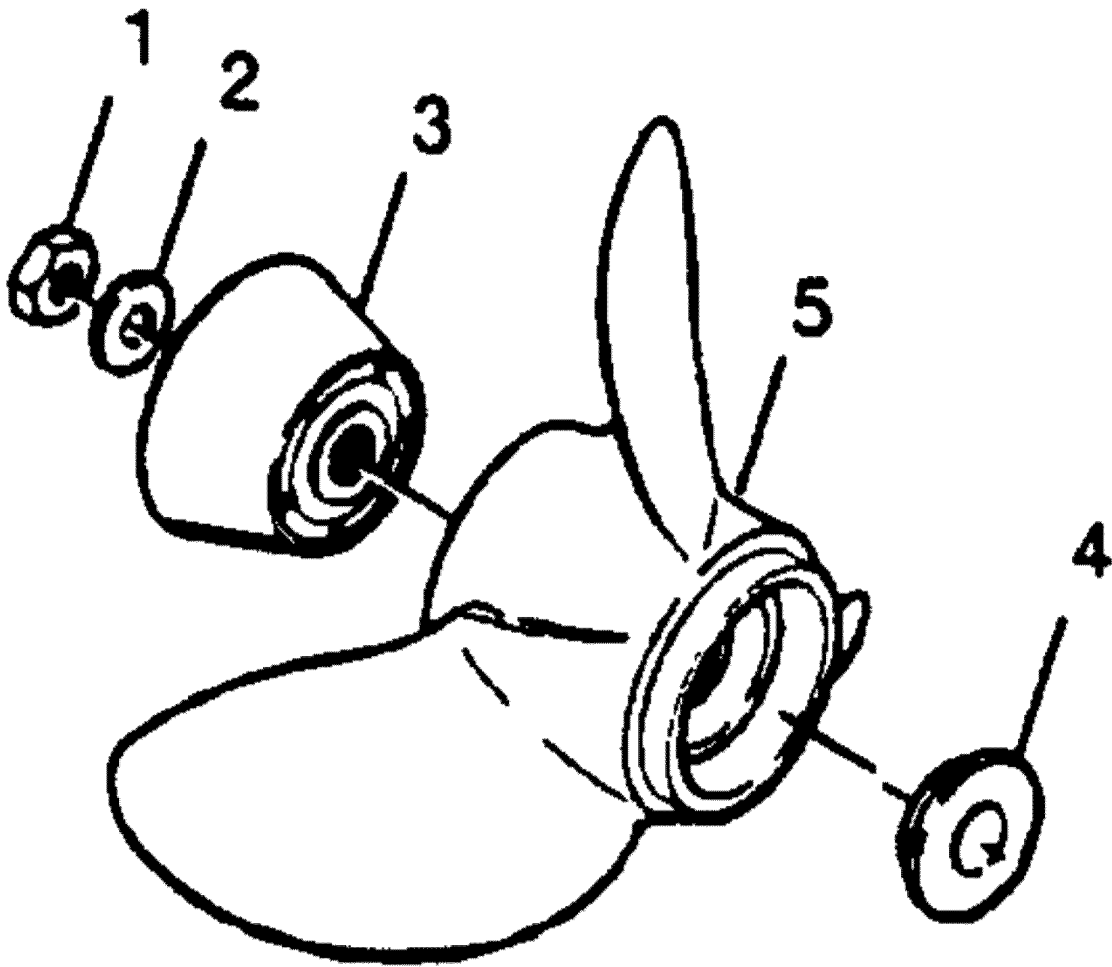
# TRIM CYLINDER



# TRIM CYLINDER

REF. NO.	PART NO.	SYM.	QTY.	DESCRIPTION
1	F698142		2	FITTING, HYDRAULIC
2	F695360		1	HOSE, HYDRAULIC (UP)
3	F695088		1	HOSE, HYDRAULIC (DOWN)
4	FA695381		1	CYLINDER, HYDRAULIC W/BEARINGS
5	F695384		1	CLIP
6	F695818		4	BEARING
7	F695037		2	PIN, TRIM CYLINDER
8	F695930		2	RING, RETAINING
9	F695451		1	SPACER, TILT LOCK

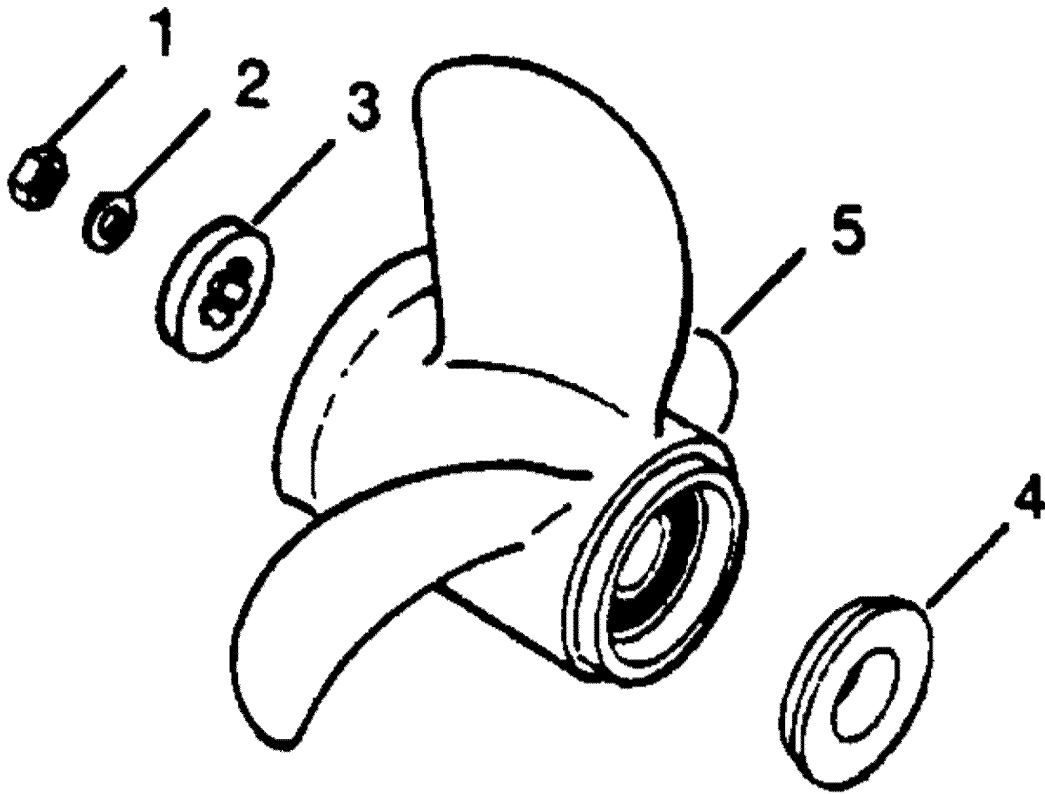
# STRAIGHT HUB PROPS



# STRAIGHT HUB PROPS

REF. NO.	PART NO.	SYM.	QTY.	DESCRIPTION
1	F7000		1	STOP NUT, 3/4 - 16
2	F8167		1	WASHER
3	F532299		1	SPACER (FLARE)
4	F694099		1	SPACER, PROPELLER

# FLARED HUB PROPS

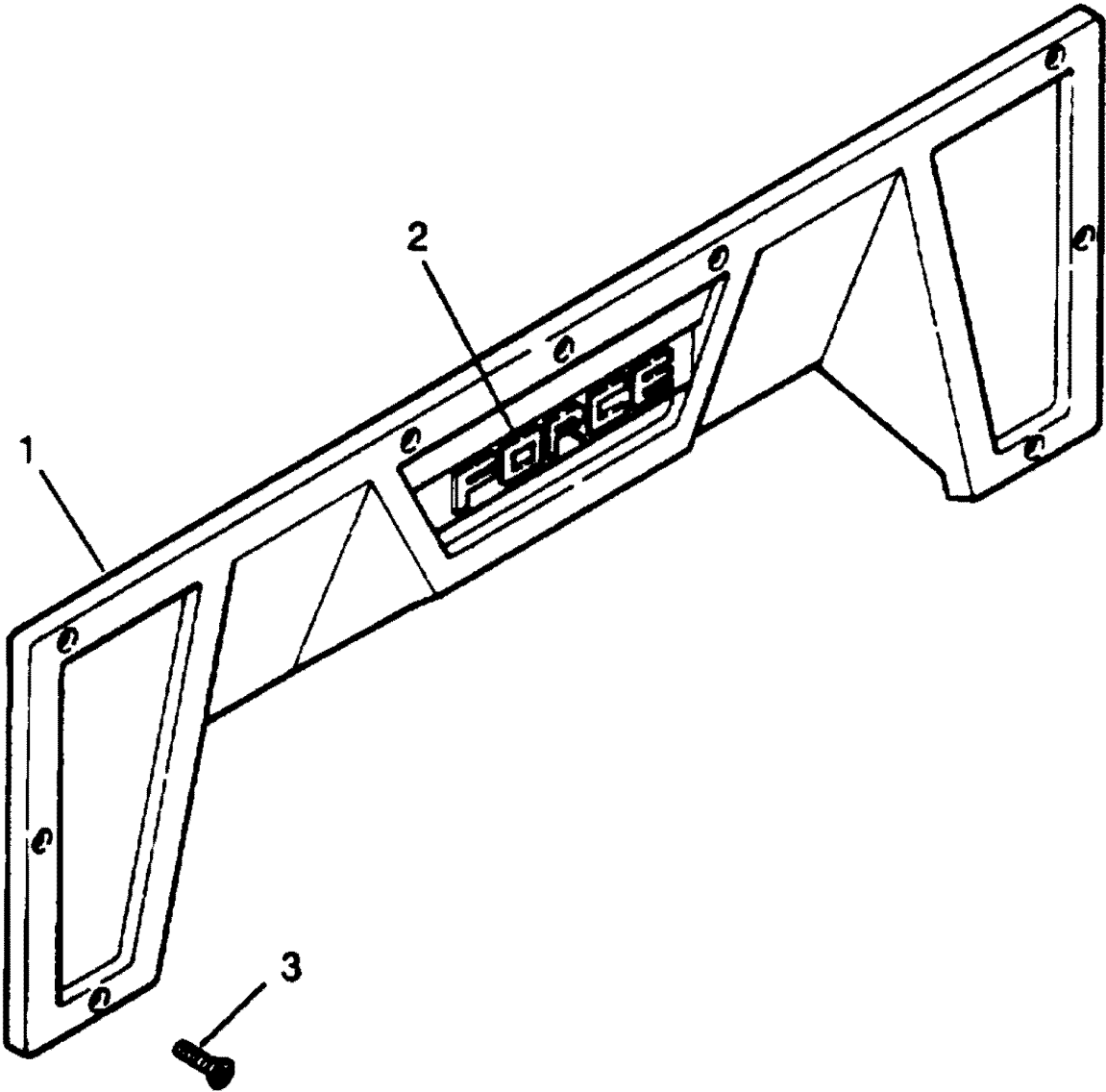




# FLARED HUB PROPS

REF. NO.	PART NO.	SYM.	QTY.	DESCRIPTION
1	F7000		1	STOP NUT, 3/4 - 16
2	F8167		1	WASHER
3	F523282		1	WASHER, PROP SPLINE
4	F694099		1	SPACER, PROPELLER

# TRANSOM SHIELD



# TRANSOM SHIELD

REF. NO.	PART NO.	SYM.	QTY.	DESCRIPTION
1	F695990		1	SHIELD, TRANSOM
2	F663366-1		1	MEDALLION, "FORCE"
3	F2241		8	SCREW, #10 - 16 X 3/4

## SPECIAL TOOLS - TUNE-UP

REF. NO.	PART NO.	SYM.	QTY.	DESCRIPTION
-	FT8978		0	TIMING LIGHT FOR ADJUSTING IGNITION TIMING.
-	FT8948-1		0	PULLER TO REMOVE FLYWHEEL.

## SPECIAL TOOLS - POWER HEAD

REF. NO.	PART NO.	SYM.	QTY.	DESCRIPTION
-	FT2999		0	TORQUE WRENCH (0-600 LBS./IN.) TO TORQUE ALL FASTENERS.
-	FT2991		0	CARBON BRUSH TO REMOVE CARBON DEPOSITS FROM POWER HEAD.
-	FT8914		0	SEAL REMOVER TO REMOVE UPPER CRANKSHAFT BEARING CAGE SEAL.
-	FT8903		0	SEAL INSTALLER TO INSTALL UPPER CRANKSHAFT BEARING CAGE SEAL.
-	FT8907		0	DRIVER HANDLE USED WITH T 8903.
-	FT8925		0	SEAL INSTALLER TO INSTALL LOWER CRANKSHAFT SEAL.
-	FT2953		0	SOCKET TO TORQUE CONNECTING ROD SCREWS.
-	FT2996		0	RING COMPRESSOR TO INSTALL PISTONS IN CYLINDER.
-	FT8926		0	RING EXPANDER TO INSTALL PISTON RINGS.
-	FT8933		0	LIFTING HOOK TO LIFT ENGINE.
-	FT8900		0	HOSE CLAMP PLIERS TO REMOVE FUEL LINE CLAMP.

## SPECIAL TOOLS - GEAR HOUSING

REF. NO.	PART NO.	SYM.	QTY.	DESCRIPTION
-	FT8948-1		0	PULLER TO REMOVE PROPELLER SHAFT SPOOL FROM GEAR HOUSING.
-	FT11209		0	BEARING GUIDE SET TO REMOVE/INSTALL FORWARD BEARING CUP.
-	FT8918		0	BEARING GUIDE SET TO BE USED WITH T 11209 BEARING GUIDE SET.
-	FT11207		0	BEARING CUP REMOVER TO REMOVE FORWARD BEARING CUP IN GEAR HOUSING.
-	FT11205		0	BEARING INSTALLER/REMOVER TO REMOVE AND INSTALL LOWER DRIVESHAFT BEARING.
-	FT11204		0	BEARING CUP INSTALLER TO INSTALL FORWARD BEARING CUP IN GEAR HOUSING.
-	FT8957		0	SEAL INSTALLER TO INSTALL SHIFT ROD SEAL.
-	FT8985		0	SEAL INSTALLER TO INSTALL PROPELLER SHAFT SEAL IN SPOOL.
-	FT8925		0	SEAL INSTALLER TO INSTALL DRIVESHAFT SEAL IN GEAR HOUSING COVER.
-	FT3012		0	SEAL INSTALLER TO INSTALL DRIVESHAFT SEAL IN WATER PUMP.
-	FT8907		0	DRIVER HANDLE USED WITH T 11204, T 11205, T 11209.
-	FT8919		0	SPRING PIN PUNCH TO REMOVE CLUTCH SPRING PIN.

## SPECIAL TOOLS - TEST EQUIPMENT

REF. NO.	PART NO.	SYM.	QTY.	DESCRIPTION
-	FT2951		0	CIRCUIT TRACER TO TROUBLESHOOT ELECTRICAL SYSTEM.
-	FTK8999		0	TEST WHEEL TO TEST MOTOR IN TEST TANK.
-	FT8950		0	LEAKAGE TESTER TO TEST LOWER UNIT SEALS FOR LEAKAGE.
-	FT11260-1		0	SPARK TESTER TO TEST OUTPUT OF IGNITION SYSTEM.
-	FT2938-1		0	CONTINUITY TESTER TO TEST CIRCUITS FOR CONTINUITY.
-	FTA11259		0	MULTIMETER TO TEST ELECTRICAL COMPONENTS.

## SPECIAL TOOLS - LUBRICANTS AND SEALANTS

REF. NO.	PART NO.	SYM.	QTY.	DESCRIPTION
-	FT2961		0	LUBRICANT - RYKON GREASE #2EP
-	FT8983		0	SEALANT - 3 OZ. RTV SEALANT FORM IN PLACE GASKETS
-	FT8936-1		0	SEALANT - 2 CC LOCTITE RETAINING COMPOUND #75
-	FT2963-2		0	SEALANT - 2 OZ. LOCTITE 271
-	FT8935		0	SEALANT PRIMER LOC QUIC T



# PARTS INDEX

Part Number	Description	Pg.	Ref. No.	Part Number	Description	Pg.	Ref. No.
817747--1	JOINT, BALL W/STUD . . . . .	17	13	F15164	BRUSH KIT . . . . .	5	7
817790A1	COVER, TRANSFER PORT . . . . .	21	14	F15174	DRIVE KIT . . . . .	5	1
817870A1	COVER, FUEL PUMP W/PLUG . . . . .	11	2	F15175	DRIVE ASSEMBLY PINION . . . . .	5	2
817877A3	COVER, CYLINDER DRAIN . . . . .	9	10	F15176	CAP STARTER DRIVE . . . . .	5	3
817919A1	FUEL PUMP COMPLETE . . . . .	11	-	F15177	ARMATURE . . . . .	5	4
817922A1	U-JOINT HOUSING W/U- JOINT . . . . .	31	-	F15178	THRU BOLT PACKAGE . . . . .	5	5
817960A2	TOWERSHAFT . . . . .	17	7	F15179	COMMUTATOR . . . . .	5	6
817980A2	HOUSING, U-JOINT . . . . .	31	7	F1532	SCREW, 1/4 - 20 X 1 . . . . .	7	19
818108A1	PLATE, REED (COMPLETE) . . . . .	9	5	F1544	SCREW 3/8 - 16 X 2-1/4 . . . . .	25	8
F1005	SCREW, 3/8 - 16 X 1-1/2 . . . . .	25	6	F1544	SCREW, 3/8 - 16 X 2-1/4 . . . . .	25	3
F1009	SCREW, 3/8 - 16 X 2-3/4 . . . . .	21	3	F1552	SCREW, 8 - 32 X 1/2 . . . . .	3	21
F1014	COTTER PIN . . . . .	7	4	F1641	LOCK NUT . . . . .	5	8
F1014	COTTER PIN . . . . .	13	11	F1641	NUT, 1/4 - 28 . . . . .	39	15
F10268	IDLE MIXTURE SCREW . . . . .	13	29	F1647	NUT, 8 - 32 . . . . .	3	7
F10269	MAIN FUEL JET STD. .098 SEA LEVEL - 1500 FT. . . . .	13	-	F1648	SCREW, 10 - 24 X 3/4 . . . . .	11	16
F10271	MAIN FUEL JET STD. .096 SEA LEVEL - 1500 FT. . . . .	13	40	F1648	SCREW, 5/16 - 18 X 1-3/4 . . . . .	31	29
F10274	CONNECTOR . . . . .	15	52	F1657	SCREW, 5/16 - 18 X 1-3/4 . . . . .	31	29
F10275	SCREW, SEALING . . . . .	15	53	F1693	NUT, TIE BAR RETAINER . . . . .	7	28
F10285	CHOKE SHAFT RETURN SPRING . . . . .	13	18	F1699	SCREW, 1/4 - 20 X 1-1/8 . . . . .	21	9
F10286	JET (.052) . . . . .	15	54	F1713	SPRING PIN . . . . .	35	22
F1059	FILL HD. SCREW, 6 - 32 X 1/4 . . . . .	13	15	F1739	WASHER . . . . .	23	3
F1059	SCREW, 6 - 32 X 1/4 . . . . .	7	8	F1755	SCREW, #6 - 32 X 5/16 . . . . .	9	1
F1064	SCREW, #8 - 32 X 3/8 . . . . .	7	29	F1760	SCREW, 10 - 24 X 3/8 . . . . .	39	4
F1107	SCREW, 1/4 - 20 X 3/4 . . . . .	21	28	F17637	CAP . . . . .	41	4
F1112	SCREW, 1/4 - 20 X 7/8 . . . . .	37	42	F177330	VALVE, FUEL PUMP . . . . .	11	12
F1203	SCREW, 1/4 - 20 X 7/8 . . . . .	21	22	F178168-1	GASKET, CARBURETOR ADAPTER . . . . .	9	8
F1236	SCREW, 1/4 - 20 X 1/2 . . . . .	7	13	F178404-1	PLATE, DEFLECTOR . . . . .	9	7
F1238	SCREW, 1/4 - 20 X 3/4 . . . . .	17	22	F1829	SCREW, 10 - 24 X 7/8 . . . . .	17	20
F1253	SCREW, 3/8 - 16 X 2 . . . . .	21	6	F1831	SCREW, 1/4 - 20 X 5/8 . . . . .	9	9
F1280	SCREW, 8 - 32 X 1/4 . . . . .	3	35	F1832	NUT, 1/4 - 20 . . . . .	3	30
F1280	SCREW, 8 - 32 X 1/4 . . . . .	39	10	F184033-1	SWIVEL, CHOKE (TOP CARBURETOR) . . . . .	7	-
F1303	SCREW, 8 - 32 X 3/4 . . . . .	3	32	F184033-1	SWIVEL, TOP CARBURETOR . . . . .	13	14
F1303	SCREW, 8 - 32 X 3/4 . . . . .	3	37	F184122-1	SEAL, PARTING LINE . . . . .	21	11
F1303	SCREW, 8 - 32 X 3/4 . . . . .	39	2	F1845	TY-RAP (NOT SHOWN) . . . . .	37	-
F1341	NUT . . . . .	5	19	F184579	O-RING SEAL . . . . .	13	13
F1341	NUT, 1/4 - 20 . . . . .	3	31	F184579	SEAL . . . . .	7	6
F1341	NUT, 1/4 - 20 . . . . .	17	19	F1854	HEX HD. CAP SCREW, 1/4 - 20 5/8 . . . . .	5	12
F1341	NUT, 1/4 - 20 . . . . .	39	8	F1856	WASHER . . . . .	17	27
F1346	NUT, 3/8 - 16 . . . . .	7	26	F1856	WASHER . . . . .	35	15
F1473	NUT, 10 - 24 . . . . .	11	5	F185764	RING, RETAINING . . . . .	17	26
F1491	SCREW, 5/16 - 18 X 3-1/4 . . . . .	35	27	F1858	SCREW, 5/16 - 18 X 1 . . . . .	35	26
F1502	SCREW, 1/4 - 20 X 5/8 . . . . .	11	3	F1860	SCREW, 6 - 32 X 1/4 . . . . .	11	11
F1502	SCREW, 1/4 - 20 X 5/8 . . . . .	21	13	F1864	SCREW, 1/4 - 20 X 3/4 . . . . .	21	5
F1504	SCREW, 1/4 - 20 X 1-1/4 . . . . .	11	18	F1871	SCREW, 3/8 - 16 X 3/4 . . . . .	41	5
F1504	SCREW, 1/4 - 20 X 1-1/4 . . . . .	21	10	F1872	SCREW, 3/8 - 16 X 1-3/4 . . . . .	21	7
F1504	SCREW, THROTTLE STOP, 1/4 - 20 X 1-1/4 . . . . .	17	18	F1872	SCREW, 3/8 - 16 X 1-3/4 . . . . .	29	20
F1513	NUT, #10 - 32 . . . . .	17	17	F1873	SCREW, 3/8 - 16 X 3 . . . . .	21	8
F1513	NUT, 10 - 32 . . . . .	39	6	F1873	SCREW, 3/8 - 16 X 3-1/8 . . . . .	21	2
F1515	NUT, 5/16 - 18 . . . . .	39	7	F1873	SCREW, 5/16 - 18 X 2-3/8 . . . . .	3	27
F15158	SCREW, BRUSH HOLDER . . . . .	5	15	F1883	SCREW, 5/16 - 18 X 2-3/8 . . . . .	21	21
F15160	INSULATOR WASHER . . . . .	5	16	F1883	SCREW, 5/16 - 18 X 2-3/8 . . . . .	27	4
F15161	PLAIN WASHER . . . . .	5	17	F1885	SCREW, 5/16 - 18 X 4-1/4 . . . . .	37	39
F15162	NUT . . . . .	5	20	F1907	WASHER . . . . .	27	5
				F1907	WASHER . . . . .	35	25
				F19109	PLUG . . . . .	21	35
				F1922	HEX CAP SCREW, 1/4 - 20 X 5/8 . . . . .	5	10
				F1950	SCREW, 10 - 24 X 5/8 . . . . .	29	1

# PARTS INDEX

Part Number	Description	Pg.	Ref. No.	Part Number	Description	Pg.	Ref. No.
F1968	NUT, 3/4 - 16	3	1	F40223	GASKET, TRANSFER COVER	11	1
F1968	NUT, 3/4 - 16	19	2	F40223	GASKET, TRANSFER PORT COVER	21	15
F1975	LOCKWASHER	11	15	F404314	ELBOW, RECIRCULATING	9	15
F1975	WASHER	39	14	F404314	ELBOW, RECIRCULATING	11	23
F1987	WASHER	3	28	F405457	PIVOT	17	25
F1987	WASHER	21	20	F405457	PIVOT SCREW	31	14
F1994	SCREW, 5/16 - 18 X 1	35	16	F406406	GASKET, DEFLECTOR PLATE	9	6
F1997	STOP NUT, 8 - 32	13	47	F40689-1	BEARING	17	10
F1999	SCREW	39	12	F428096	RING, RETAINING	21	29
F1999	SCREW, 1/4 - 20 X 7/8	37	62	F429811	SCREEN	9	11
F2008	SCREW, 1/4 - 20 X 7/8	3	23	F438500	BOWL, FUEL SEDIMENT	11	22
F2008	SCREW, 1/4 - 20 X 7/8	7	11	F438617	GASKET, FUEL PUMP BOWL	11	20
F2012	WASHER	35	3	F438653	SCREEN, FUEL PUMP	11	21
F2014	WASHER	29	19	F438747	DIAPHRAGM, FUEL PUMP	11	8
F2014	WASHER	31	2	F438754	HOSE, FUEL	13	16
F2014	WASHER	41	6	F438760	GASKET, FUEL PUMP	11	7
F2015	JAM NUT, 1/4 - 28	17	2	F438801	FITTING	11	19
F2016	SCREW, 6 - 32 X 7/8	3	10	F438930	RETAINER	35	14
F2033	GROOVE PIN	7	9	F440209	STUD	7	32
F2042	WASHER	29	2	F440254	HOSE (BALANCE TUBE)	7	36
F2042	WASHER	37	67	F440254	HOSE, IMPULSE	9	17
F2050	SCREW, 1/4 - 20 X 1-1/2	3	34	F440906	GASKET, CARBURETOR	7	33
F2067	CAP	19	1	F440925	ROD, CHOKE SOLENOID	7	3
F2081	SCREW, 1/4 - 20 X 3/4	19	4	F460917-1	RELAY, STARTER	39	5
F2217	SCREW W/LOCKWASHER, 10 - 24 X 3/8	31	15	F475504	GROMMET, CD MODULE	3	25
F2217	SCREW, 10 - 24 X 3/8	17	24	F476066-1	COVER	21	27
F2217	SCREW, 10-24 X 3/8	31	31	F476067	GASKET	21	26
F2224	SCREW, 1/2 - 13 X 3-1/4	27	22	F476529-1	GASKET, CYLINDER HEAD	21	16
F2224	SCREW, 1/2 - 13 X 3-1/4	29	9	F491689-1	BEARING, UPPER TOWERSHAFT	17	12
F2237	SCREW, 1/4 - 20 X 3	21	34	F498618	SEAL	35	31
F2240	SCREW, 10 - 24 X 7/8	29	12	F498891	PIN, GEAR SHIFT	35	32
F2241	SCREW, #10 - 16 X 3/4	49	3	F499026	SWIVEL	17	6
F2290	SPACER (0.60)	35	-	F499035	END, CONTROL ROD (TO TOWERSHAFT)	17	3
F2291	SPACER (.070)	35	-	F499036	END, CONTROL ROD (TO TRIGGER)	17	5
F2292	SPACER (.080)	35	-	F500894	POINTER, TIMING	7	37
F2310	SPACER (.050)	35	23	F50109	PLUG	35	30
F2421	SCREW, 5/16 X 3/8	23	2	F50342-1	SEAL	35	38
F24278	SEAL	35	36	F506118-1	SEAL	35	37
F269319	BEARING	17	15	F506772-1	CLAMP	27	11
F284659-2	BEARING, UPPER CRANKSHAFT MAIN	19	15	F523146-1	SEAL, CRANKSHAFT	19	3
F289446-1	CLAMP	3	13	F523274	GREASE FITTING	25	12
F2A523239	SPOOL, PROPELLER SHAFT W/BEARING AND SEAL	35	35	F523282	WASHER, PROP SPLINE	37	45
F2A615144	CAGE, BEARING W/SEAL	19	5	F523282	WASHER, PROP SPLINE	47	3
F2A694662	GEAR, REVERSE W/BEARING	35	17	F523300-1	SPRING	27	25
F2A695141	UNIVERSAL JOINT W/BEARING	31	24	F523411	RETAINING RING	35	33
F316579	SEAL, CRANKCASE	19	19	F523451	SPACER, REED STOP	9	3
F333316	THROTTLE ROLLER SHAFT	13	45	F525064	SCREW, 1/4 - 20 X 1-3/4	7	20
F335217-1	BEARING, PISTON PIN (26 PER SET)	19	10	F530160	REED (5 PETAL)	9	4
F366215	SPACER, PISTON PIN	19	9	F532299	SPACER (FLARE)	45	3
F369450	RECTIFIER	3	12	F616675	STARTER BRACKET LOWER	5	11
F372958	BRACKET, CHOKE SOLENOID	7	10	F616955	STARTER COMPLETE.	5	14
F391926-1	PLUNGER, CHOKE SOLENOID	7	2	F640273-1	STUD, THROTTLE CONNECTOR	17	11
				F654029-1	TRIGGER	3	4

# PARTS INDEX

Part Number	Description	Pg.	Ref. No.	Part Number	Description	Pg.	Ref. No.
F654924	SOLENOID, CHOKE . . . . .	3	5	F694961	RETAINER, BEARING . . . . .	37	58
F658803	GASKET, SPACER PLATE . .	11	4	F695014	BEARING . . . . .	27	9
F658836	SPACER . . . . .	11	6	F695037	PIN, TRIM CYLINDER . . . . .	43	7
F660025	PAD, INSULATING . . . . .	3	40	F695042	CABLE, GROUND . . . . .	27	27
F660497	BLOCK, TERMINAL . . . . .	3	14	F695043	SLEEVE, ADAPTER . . . . .	25	1
F663366-1	MEDALLION, "FORCE" . . . .	49	2	F695088	HOSE, HYDRAULIC (DOWN)	43	3
F664025	PAD, INSULATING . . . . .	3	39	F695095-1	STATOR . . . . .	3	3
F664068	THERMOSTAT (130-) . . . . .	21	24	F695116-2	SNOUT, EXHAUST . . . . .	35	13
F664268	SPRING . . . . .	21	25	F695125	COUPLER . . . . .	27	2
F664384	CLIP, TERMINAL BLOCK COVER . . . . .	3	20	F695129	BELLOWS, U-JOINT . . . . .	27	12
F664497	BLOCK, TERMINAL (12 POSITION) . . . . .	3	19	F695130-3	BELLOWS, EXHAUST . . . . .	33	7
F664672	COVER, TERMINAL BLOCK . .	3	22	F695131	ELBOW, WATER INLET . . . .	29	15
F664914	SEAL . . . . .	21	23	F695131	ELBOW, WATER LINE . . . . .	31	18
F665518	HEAD . . . . .	21	17	F695154	GASKET, EXHAUST PORT PLATE . . . . .	21	31
F665995	COVER, CYLINDER HEAD . .	21	18	F695167	ELBOW, INTERMEDIATE . . .	33	4
F684475-1	COIL, IGNITION . . . . .	3	17	F695175	WASHER . . . . .	31	3
F685301-2	C-D MODULE . . . . .	3	26	F695189	BUSHING . . . . .	31	11
F685583	WIRE ASSY. - RED/PURPLE STRIPE . . . . .	39	19	F695208	RING, RETAINING . . . . .	27	10
F685683	WIRE ASSY. - BLACK . . . . .	39	18	F695210	STUD . . . . .	23	10
F686096	RETAINER, BOOSTER SPRING . . . . .	11	9	F695212	PLATE, TRANSOM . . . . .	29	16
F686300	SPRING, PUMP BOOST . . . .	11	10	F695243	LINE, HYDRAULIC (UP) . . . .	41	1
F686418	TUBE, WATER JACKET . . . .	21	41	F695253	LINE, HYDRAULIC (DOWN) . .	41	2
F686472	GASKET, CYLINDER DRAIN . .	9	12	F695254	HOSE . . . . .	33	12
F686754	HOSE, PUDDLE DRAIN . . . .	9	14	F695255-2	HOSE, WATER . . . . .	33	14
F686943	TUBE, WATER JACKET (TOP) . . . . .	21	40	F695259-1	HOSE . . . . .	31	27
F693398	DECAL, WIRING . . . . .	21	39	F695261-1	HOSE, EXHAUST . . . . .	33	3
F694015	PISTON - STANDARD . . . . .	19	8	F695262	GUARD . . . . .	23	1
F694017	PIN, PISTON . . . . .	19	7	F695273	STUD, STEERING CABLE . . .	27	23
F694031	GASKET, UPPER WATER PUMP . . . . .	35	8	F695275	FITTING (PIPE PLUG) . . . . .	33	1
F694056	CUP, BEARING . . . . .	37	57	F695276-2	HOSE, EXHAUST . . . . .	33	6
F694057	BEARING . . . . .	37	53	F695278	SEAL . . . . .	27	13
F694058	BEARING (CONE) . . . . .	37	56	F695293	SOCKET . . . . .	39	17
F694065	IMPELLER . . . . .	35	6	F695314	ELBOW, FUEL (TOP CARBURETOR . . . . .	7	14
F694096	RETAINER . . . . .	19	23	F695314	ELBOW, IMPULSE HOSE . . .	9	16
F694099	SPACER . . . . .	37	43	F695342	SEAL, WATER . . . . .	29	4
F694099	SPACER, PROPELLER . . . . .	45	4	F695346	MOUNT . . . . .	27	18
F694099	SPACER, PROPELLER . . . . .	47	4	F695360	HOSE, HYDRAULIC (UP) . . .	43	2
F694186	WASHER . . . . .	37	54	F695371-1	BRACKET, TRIM COMPONENTS . . . . .	39	1
F694188	NUT, PINION . . . . .	37	55	F695374	DECAL, CIRCUIT BREAKER . .	3	33
F694210	STUD . . . . .	35	4	F695374	DECAL, CIRCUIT BREAKER . .	39	16
F694211	STUD . . . . .	37	68	F695384	CLIP . . . . .	43	5
F694226	PLUG, PITOT TUBE . . . . .	37	48	F695420	RING, RETAINING . . . . .	27	15
F694305	SEAL . . . . .	37	60	F695422	PIVOT, BALL . . . . .	29	18
F694307	SEAL . . . . .	37	61	F695440	PIN, PIVOT . . . . .	31	9
F694372-1	PIN . . . . .	21	42	F695449-1	THERMOSWITCH . . . . .	21	30
F694498	KEY . . . . .	35	7	F695451	SPACER, TILT LOCK . . . . .	43	9
F694521	CLUTCH . . . . .	35	21	F695460	BREAKER (CIRCUIT) . . . . .	39	9
F694564-1	LINER, WATER PUMP . . . . .	37	71	F695485	ANODE . . . . .	31	28
F694618	BELLOWS . . . . .	37	63	F695493-1	BRACKET, ELECTRICAL COMPONENTS . . . . .	3	9
F694705	ROD, SHIFT . . . . .	37	50	F695527	BEARING . . . . .	31	23
F694736	SEAL, WATER PUMP OUTLET . . . . .	31	10	F695541-1	PUMP, HYDRAULIC W/ RESERVOIR . . . . .	41	3
F694830	GASKET, LOWER WATER PUMP . . . . .	35	10	F695582-3	ARM, STEERING . . . . .	27	6
				F695602	SWITCH, PRESSURE . . . . .	41	8
				F695610	BEARING . . . . .	31	4
				F695618	SEAL . . . . .	31	22

# PARTS INDEX

Part Number	Description	Pg.	Ref. No.	Part Number	Description	Pg.	Ref. No.
F695620	PIN, SHIFT ARM	31	16	F698476	FITTING, GREASE	27	17
F695621	LEVER, SHIFT	31	12	F698680	PLATE, SPACER W/SLEEVE	25	2
F695628-1	DRIVESHAFT	27	1	F698735-1	SEAL, EXHAUST	37	72
F695632	"U"-BOLT	31	6	F698758	HOSE, CARBURETOR COVER DRAIN	7	22
F695649	CLAMP	33	2	F698772	CLAMP	7	15
F695673	CLIP	27	28	F698826	COVER, CARBURETOR	7	18
F695683	CABLE, GROUND	33	9	F698836	GASKET	7	38
F695685	CONNECTOR, SHIFT ROD	37	64	F698866	MANIFOLD, EXHAUST PORT	21	33
F695692	TUBE, STEERING	25	9	F698902	SPACER	27	20
F695697	STOP NUT, 7/16 - 20	25	14	F698902	SPACER	29	7
F695701	CLIP, GROUNDING	29	22	F698917	RELAY, TRIM	39	3
F695722	CLAMP, HOSE	33	15	F698942	BUMPER	7	21
F695735	SEAL	31	21	F698951	BRACKET	23	13
F695741	RING, SEAL	29	3	F699061	CARBURETOR COMPLETE (BOTTOM)	7	-
F695744	HARNESS, WIRING	3	15	F699061	CARBURETOR COMPLETE (BOTTOM)	13	27
F695754	HOSE, FUEL LINE	7	23	F699562	PLATE	35	9
F695764	RING, RETAINING	31	25	F7000	STOP NUT, 3/4 - 16	37	47
F695771	CLAMP	31	26	F7000	STOP NUT, 3/4 - 16	45	1
F695771	CLAMP, HOSE	33	10	F7000	STOP NUT, 3/4 - 16	47	1
F695773	HOSE, EXHAUST MANIFOLD & SPACER PLATE	33	11	F7004	NUT, 3/8 - 16	27	26
F695774-1	CLAMP, HOSE	33	5	F7006	NUT, 5/16 - 18	23	11
F695783	SEAL	27	8	F7008	NUT, 1/4 - 20	17	14
F695786	SPACER, ELECTRICAL COMPONENTS BRACKET	3	16	F7008	NUT, 1/4 - 20	23	7
F695802	BUSHING	23	4	F7009	LOCKNUT, #10 -24	17	1
F695807	RING, RETAINING	31	5	F7025	NUT, 3/8 - 16	31	1
F695816	BEARING, STEERING	27	14	F7037	NUT, 7/8 - 14	25	10
F695818	BEARING	43	6	F7061	NUT, 1/4 - 28	35	2
F695870	CLAMP	29	17	F7062	NUT, 10 - 32	37	66
F695871	SHAFT, SHIFT ROD	37	65	F722386	DECAL, FLYWHEEL COVER	23	12
F695872	BRACKET, THROTTLE CABLE	17	21	F74305	SEAL	37	59
F695905	CABLE, GROUND	31	30	F8028	WASHER	3	24
F695907	CABLE, GROUND	25	17	F8028	WASHER	3	36
F695910	BEARING	27	16	F8028	WASHER	23	5
F695920	CLAMP, WATER SEAL	29	5	F8038	WASHER	27	24
F695922	FITTING	33	13	F8056	WASHER	3	6
F695930	RING, RETAINING	43	8	F8075	WASHER	25	4
F695946	COVER	29	11	F8075	WASHER	25	7
F695952	BRACKET	23	6	F8077	WASHER	35	29
F695953	BRACKET	23	8	F8080	WASHER	7	5
F695965	MOUNT, ISOLATOR	27	19	F8083	LOCKWASHER	5	18
F695965	MOUNT, ISOLATOR	29	6	F8083	LOCKWASHER	11	17
F695989	SEAL, O-RING	29	10	F8083	LOCKWASHER	37	41
F695990	SHIELD, TRANSOM	49	1	F8083	SPRING LOCKWASHER	5	13
F695996	FLANGE, EXHAUST	33	8	F8083	WASHER	39	11
F698059	FITTING, HYDRAULIC	41	7	F8088	PLAIN WASHER	13	12
F698061	CARBURETOR COMPLETE (TOP)	7	16	F8090	WASHER	3	29
F698061	CARBURETOR COMPLETE (TOP)	13	-	F8104	WASHER	21	4
F698142	FITTING, HYDRAULIC	43	1	F8137	WASHER	23	9
F698151	PLATE, EXHAUST PORT	21	32	F8145	WASHER	27	21
F698192	CAM, THROTTLE	17	16	F8145	WASHER	29	8
F698273	STUD	25	16	F8151	WASHER	25	13
F698281	SPACER	25	15	F8158	WASHER	39	13
F698360	HOSE, FUEL BOWL VENT	7	24	F8167	WASHER	37	46
F698404	PLATE, DEFLECTOR	7	39	F8167	WASHER	45	2
F698460	BREAKER, CIRCUIT	3	8	F8167	WASHER	47	2
				F84305	SEAL	35	34
				F84792	GASKET, CENTER VALVE	11	13

# PARTS INDEX

Part Number	Description	Pg.	Ref. No.	Part Number	Description	Pg.	Ref. No.
F84871-1	PIN, GEAR SHIFT	35	20	FA85655-1	RACE, CRANKSHAFT MAIN BEARING W/SNAP RING	19	18
F85033	SWIVEL, CHOKE (BOTTOM CARBURETOR)	7	7	FC698010	SHORT BLOCK, CYLINDER W/RODS, PISTONS AND CRANKSHAFT	21	-
F85033	SWIVEL, CHOKE ROD (BOTTOM CARBURETOR) (NOT SHOWN)	13	-	FC698054	GEAR HOUSING COMPLETE	37	-
F85161-1	STOP, REED	9	2	FG1026-1	GASKET SET	21	37
F85314-1	FITTING, FUEL (BOTTOM CARBURETOR)	7	25	FK10023	GASKET SET	15	55
F85317-3	CLAMP, CHOKE SOLENOID	7	12	FK10264	NEEDLE-INLET	13	19
F8540	PIN	17	9	FK10288	REPAIR PARTS KIT	13	1
F85410	SNAP RING	19	17	FK1203	KIT, LOWER UNIT SEAL	35	12
F85445	ROD, SPARK CONTROL	17	4	FK1204	KIT, WATER PUMP	35	11
F85498-1	KEY, FLYWHEEL	19	14	FK405020	CLAMP W/PIVOT SCREW	31	13
F85509-1	LINK, CHOKE	7	1	FK405020	SWIVEL W/CLAMP	17	23
F85571	BEARING	19	20	FK721706	COVER, GEAR HOUSING	37	69
F8563	DOWEL PIN	21	12	FK85228-1	BEARING CAGE W/ROLLERS	19	13
F85634-2	SCREW, CONNECTING ROD	19	12	FO10588	BODY CHANNEL CUP PLUG	13	48
F8580	PIN, LOCATING	31	8	FO11103	IDLE MIXTURE SCREW SPRING	13	28
F8581	COTTER PIN	31	17	FO13193	MAIN FUEL JET OPT. .088 4500 - 6000 FT.	13	-
F8585	DOWEL PIN	25	5	FO13554	FLOAT	13	25
F8585	DOWEL PIN	27	3	FO13944	FLOAT LEVER PIN	13	24
F85908-1	LEAD WIRE	5	9	FO13949	MAIN FUEL JET OPT. .086 6000 FT. & UP	13	-
F85909-1	PIN, BEARING LOCATING (PRESSED INTO BLOCK)	19	22	FO14190	MAIN FUEL JET OPT. .092 1500 - 3000 FT.	13	-
F90619-2	YOKE	35	19	FO15406	MAIN FUEL JET OPT. .090 3000 - 4500 FT.	13	-
F90807	RING, RETAINING	7	31	FO15623	FUEL BOWL GASKET	13	26
F92759	THROTTLE ROLLER	13	46	FO16128	BODY CHANNEL WELCH PLUG	13	49
F9277	SHIM (.010)	37	-	FO16130	FUEL BOWL	13	22
F9278	SHIM (.005)	37	-	FO16132	FUEL BOWL RETAINING SCREW	13	20
F9279	SHIM (.003)	37	-	FO16133	MAIN NOZZLE	13	23
F9280	SHIM (.002)	37	52	FO16142	THROTTLE SHUTTER	15	50
F9281	SHIM (.010)	35	-	FO16143	THROTTLE SHAFT RETURN SPRING	13	41
F9282	SHIM (.005)	35	-	FO16301	CHOKE SHAFT AND LEVER	13	17
F9283	SHIM (.003)	35	-	FO16620	E-RING	13	10
F9284	SHIM (.002)	35	28	FO16993	BY-PASS TUBE	15	51
F98273	BALL STUD	31	19	FO17719	SHUTTER	13	30
FA178233	TIE BAR, THROTTLE W/SWIVEL	7	30	FO17884	THROTTLE SHAFT AND LEVER	13	42
FA440157	ADAPTER, UPPER CARBURETOR W/FITTING & STUDS	7	35	FO1974	SCREW	13	44
FA523485	ANODE, ANTI-CORROSION	37	40	FO5323	FUEL BOWL RETAINING SCREW GASKET	13	21
FA607689	BEARING, TOWERSHAFT	17	8	FO8942	CHOKE AND THROTTLE SHUTTER SCREW	13	31
FA609853	DECAL, FLYWHEEL WARNING	3	38	FO9678	CLIP, CHOKE SHAFT	13	39
FA686010	CYLINDER	21	1	FO992	LOCKWASHER	13	43
FA686431	BODY, FUEL PUMP	11	14	FS664358	BRACKET, COIL MOUNT	3	18
FA694098	PROP SHAFT	35	18	FS694023	GEAR, FORWARD W/BEARING AND CUP	35	24
FA695381	CYLINDER, HYDRAULIC W/BEARINGS	43	4	FS694628	DRIVESHAFT W/BEARING AND PINION GEAR	37	51
FA695487	GUIDE, STEERING CABLE W/GREASE FITTING	25	11	FS695607	YOKE, STEERING W/BEARING & SEALS	27	7
FA698018	CRANKSHAFT W/UPPER MAIN BEARING	19	16	FS695736	SEAL, O-RING	29	21
FA698167	ADAPTER, LOWER CARBURETOR W/FITTING & STUDS	7	34				
FA84621-1	COUPLING, GEAR SHIFT	37	49				
FA85193	TIE BAR END W/SWIVEL	7	27				

# PARTS INDEX

Part Number	Description	Pg.	Ref. No.	Part Number	Description	Pg.	Ref. No.
FS698865	HOSE . . . . .	7	17	200-817865A1	FLYWHEEL W/DECAL . . . . .	3	2
FSA663260	RING, PISTON - .010 OVERSIZE . . . . .	19	-	600-818052A4	ROD, CONNECTING W/CAP AND SCREW . . . . .	19	11
FSA694015	PISTON - .010 OVERSIZE . .	19	-	700-818134A1	PISTON - .030 OVERSIZE . .	19	-
FT11204	BEARING CUP INSTALLER .	52	-				
FT11205	BEARING INSTALLER/REMOVER . .	52	-				
FT11207	BEARING CUP REMOVER . .	52	-				
FT11209	BEARING GUIDE SET . . . . .	52	-				
FT11260-1	SPARK TESTER . . . . .	53	-				
FT2938-1	CONTINUITY TESTER . . . . .	53	-				
FT2951	CIRCUIT TRACER . . . . .	53	-				
FT2953	SOCKET . . . . .	51	-				
FT2961	LUBRICANT - RYKON GREASE #2EP . . . . .	54	-				
FT2963-2	SEALANT - 2 OZ. LOCTITE 271 . . . . .	54	-				
FT2991	CARBON BRUSH . . . . .	51	-				
FT2996	RING COMPRESSOR . . . . .	51	-				
FT2999	TORQUE WRENCH (0-600 LBS./IN.) . . . . .	51	-				
FT3012	SEAL INSTALLER . . . . .	52	-				
FT8900	HOSE CLAMP PLIERS . . . . .	51	-				
FT8903	SEAL INSTALLER . . . . .	51	-				
FT8907	DRIVER HANDLE . . . . .	51	-				
FT8907	DRIVER HANDLE . . . . .	52	-				
FT8914	SEAL REMOVER . . . . .	51	-				
FT8918	BEARING GUIDE SET . . . . .	52	-				
FT8919	SPRING PIN PUNCH . . . . .	52	-				
FT8925	SEAL INSTALLER . . . . .	51	-				
FT8925	SEAL INSTALLER . . . . .	52	-				
FT8926	RING EXPANDER . . . . .	51	-				
FT8933	LIFTING HOOK . . . . .	51	-				
FT8935	SEALANT PRIMER LOC QUIC T . . . . .	54	-				
FT8936-1	SEALANT - 2 CC LOCTITE RETAINING COMPOUND #75 . . . . .	54	-				
FT8948-1	PULLER . . . . .	50	-				
FT8948-1	PULLER . . . . .	52	-				
FT8950	LEAKAGE TESTER . . . . .	53	-				
FT8957	SEAL INSTALLER . . . . .	52	-				
FT8978	TIMING LIGHT . . . . .	50	-				
FT8983	SEALANT - 3 OZ. RTV SEALANT FORM IN PLACE GASKETS . . . . .	54	-				
FT8985	SEAL INSTALLER . . . . .	52	-				
FTA11259	MULTIMETER . . . . .	53	-				
FTK8999	TEST WHEEL . . . . .	53	-				
22-818103--1	ELBOW, CYLINDER DRAIN .	9	13				
25-F695830	O-RING . . . . .	37	73				
26-F695735	SEAL, LOWER U-JOINT . . . .	31	32				
31-818050A2	BEARING, CRANKSHAFT LOWER W/SEAL . . . . .	19	21				
33-818007--1	SPARK PLUG (CHAMPION UL-18V) . . . . .	21	19				
39-817869A1	RING, PISTON - STANDARD	19	6				
39-817869A3	RING, PISTON - .030 OVERSIZE . . . . .	19	-				