



# PARTS CATALOG

## FORCE 120 H.P. "L" - DRIVE "B" MODELS

### SERIAL NUMBER

120 H.P. (1992 L-DRIVE) .....120LD92B

# TABLE OF CONTENTS:

CARBURETOR .....	14
CRANKSHAFT AND PISTON .....	22
EXHAUST SYSTEM .....	34
FLARED HUB PROPS .....	46
FLYWHEEL COVER .....	24
FUEL PUMP .....	12
GEAR HOUSING .....	36
IGNITION COMPONENTS .....	2
INTAKE COVER .....	6
MOUNT AND STEERING YOKE .....	28
PARTS INDEX .....	54
POWER HEAD .....	20
REED PLATE AND RECIRCULATION SYSTEM .....	8
SPACER PLATE AND STEERING TUBE .....	26
SPECIAL TOOLS - LOWER UNIT .....	51
SPECIAL TOOLS - LUBRICANTS AND SEALANTS .....	53
SPECIAL TOOLS - POWER HEAD .....	50
SPECIAL TOOLS - TEST EQUIPMENT .....	52
SPECIAL TOOLS - TUNE-UP .....	49
STARTER .....	4
TOWERSHAFT AND THROTTLE LINKAGE .....	18
TRANSOM PLATE .....	30
TRANSOM SHIELD .....	48
TRIM CYLINDER .....	44
TRIM PUMP AND LINES .....	42
TRIM PUMP BRACKET AND RELAYS .....	40
U-JOINT AND HOUSING .....	32
VRO PUMP .....	10

**NOTE:** Indented description indicate that these parts are included in preceeding assembly.

**AR** = As Required

**NSS** = Not Sold Separate

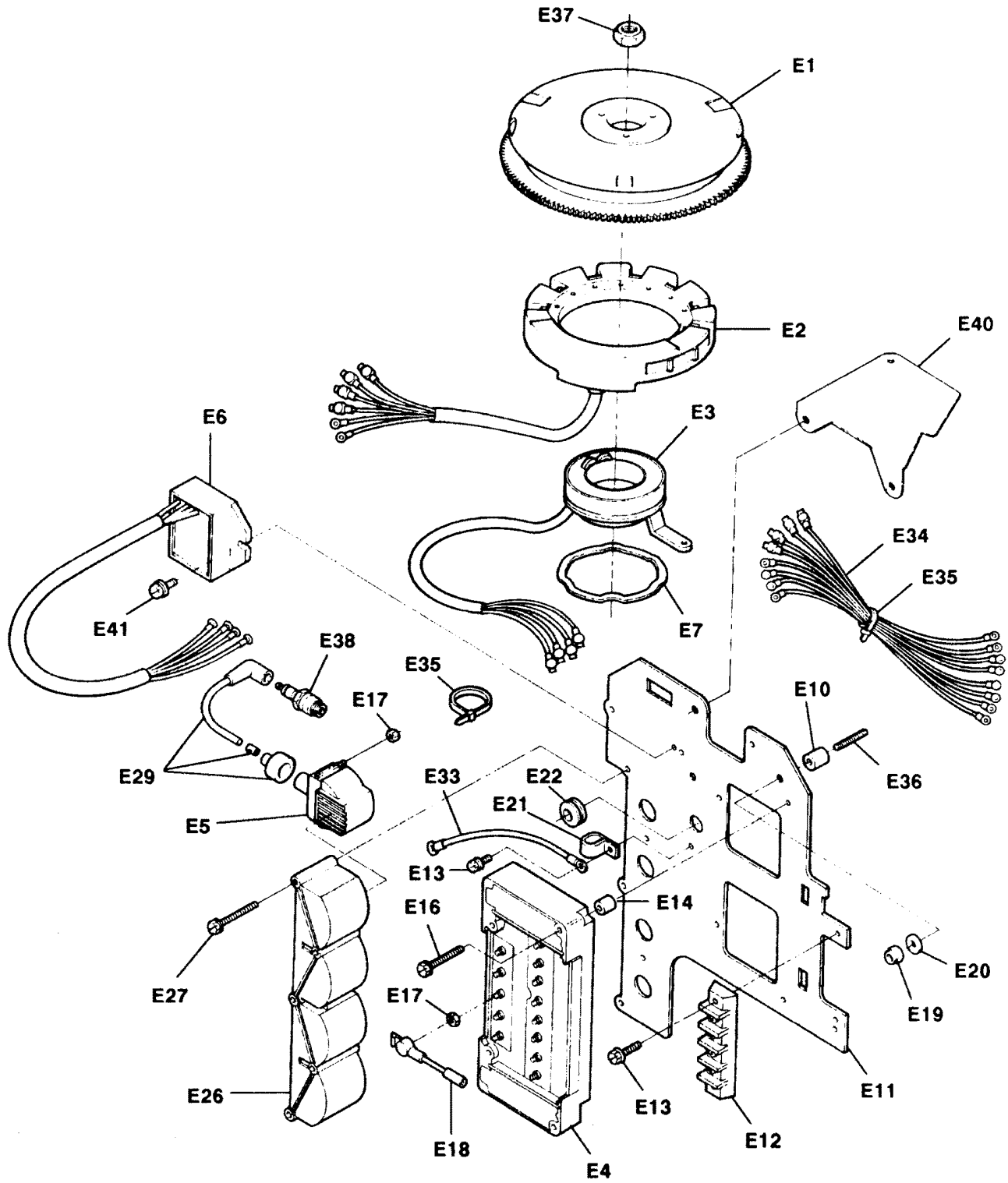
**OPT** = Optional

**NS** = Not Shown

**THESE PARTS BOOKS/FICHE CARD ARE COPYRIGHTED AND MAY NOT BE DISTRIBUTED OR REPRODUCED IN ANY OTHER FORMAT BY ANYONE OTHER THAN MERCURY MARINE WITHOUT THE PRIOR WRITTEN CONSENT OF MERCURY MARINE.**

THIS PAGE INTENTIONALLY LEFT BLANK

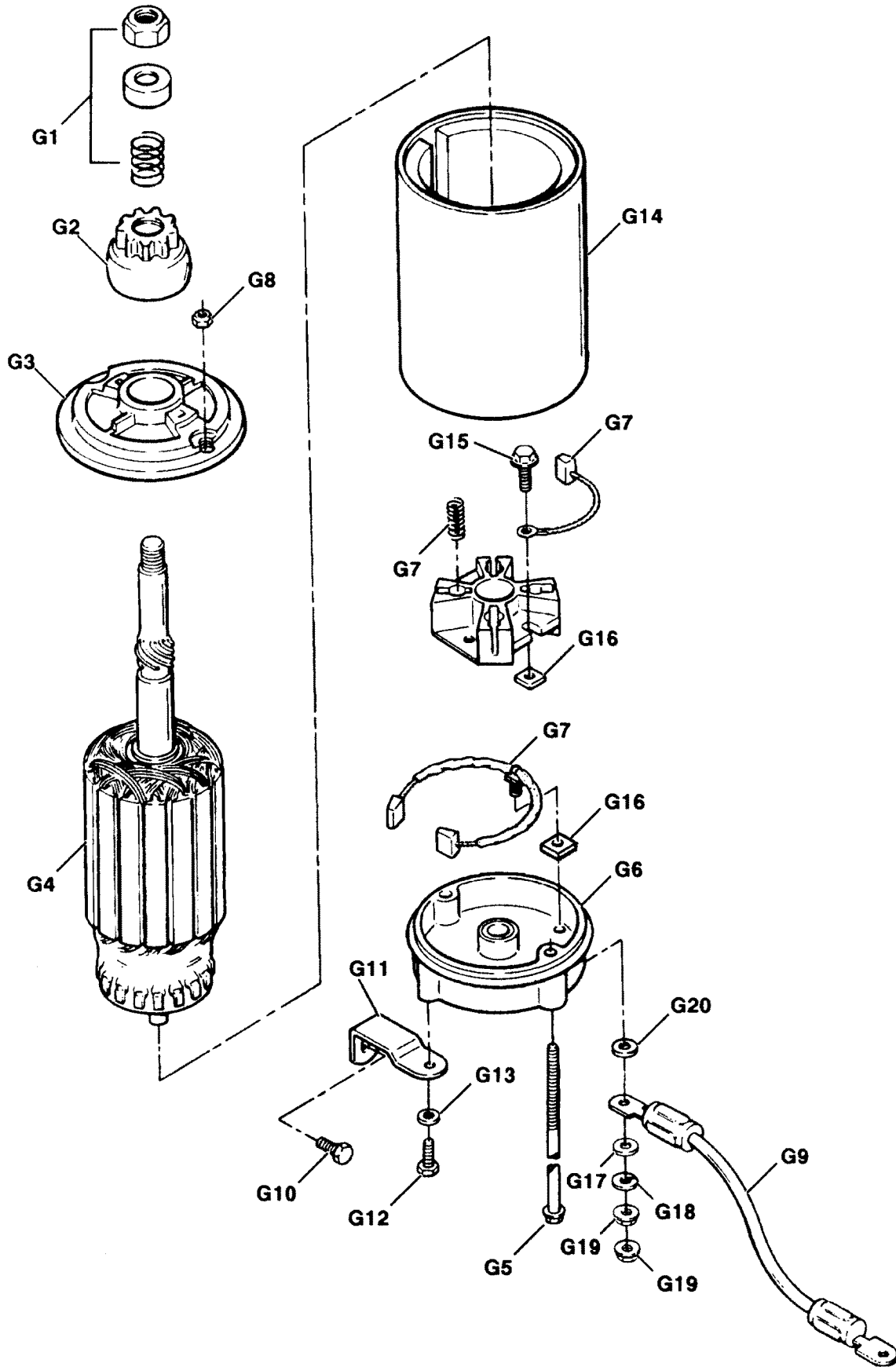
# IGNITION COMPONENTS



# IGNITION COMPONENTS

REF. NO.	PART NO.	SYM.	QTY.	DESCRIPTION
E1	200-817494A2		1	FLYWHEEL
E2	398-9710A11		1	STATER
E3	817029A4		1	TRIGGER
E4	332-5772A5		1	SWITCH BOX
E5	339-7370A23		4	COIL
E6	815279T2		1	RECTIFIER (18 AMP)
E7	F2442		1	SPRING WASHER
E10	F722932		3	SPACER
E11	817269		1	PLATE, IGNITION
E12	F660497		1	BLOCK, TERMINAL (4 POSITION)
E13	10-41805		5	SCREW, 10 - 24 X .62
E14	23-91912		4	BUSHING
E16	10-812987		4	SCREW, 10 - 24 X 1-1/4
E17	11-45076		21	NUT, 10 - 24
E18	84-88807A34		1	CABLE ASSEMBLY, ADAPTER
E19	F7006		6	LOCKNUT, 5/16 - 18
E20	F8094		1	WASHER
E21	54-63153		2	CLIP, INSULATED "J"
E22	25-817491		1	GROMMET
E26	87554		1	COVER, COIL
E27	10-817458		5	SCREW, 10 - 24 X 2
E29	84-813706A28		4	CABLE ASSEMBLY, HIGH TENSION (COMPLETE)
E33	84-88807A29		1	CABLE ASSEMBLY, BLACK
E34	84-817441A1		1	HARNESS, COIL TO SWITCH BOX
E35	54-816311		3	STA-STRAP
E36	F746210		3	STUD, 5/16 - 18 X 2-1/4
E37	F1968		1	STOP NUT, 3/4 - 16
E38	FS749227		4	PLUG, SPARK (CHAMPION L76V)
E40	819111		1	GUARD, IGNITION
E41	10-817504		2	SCREW, 1/4 - 20 X 1-1/2

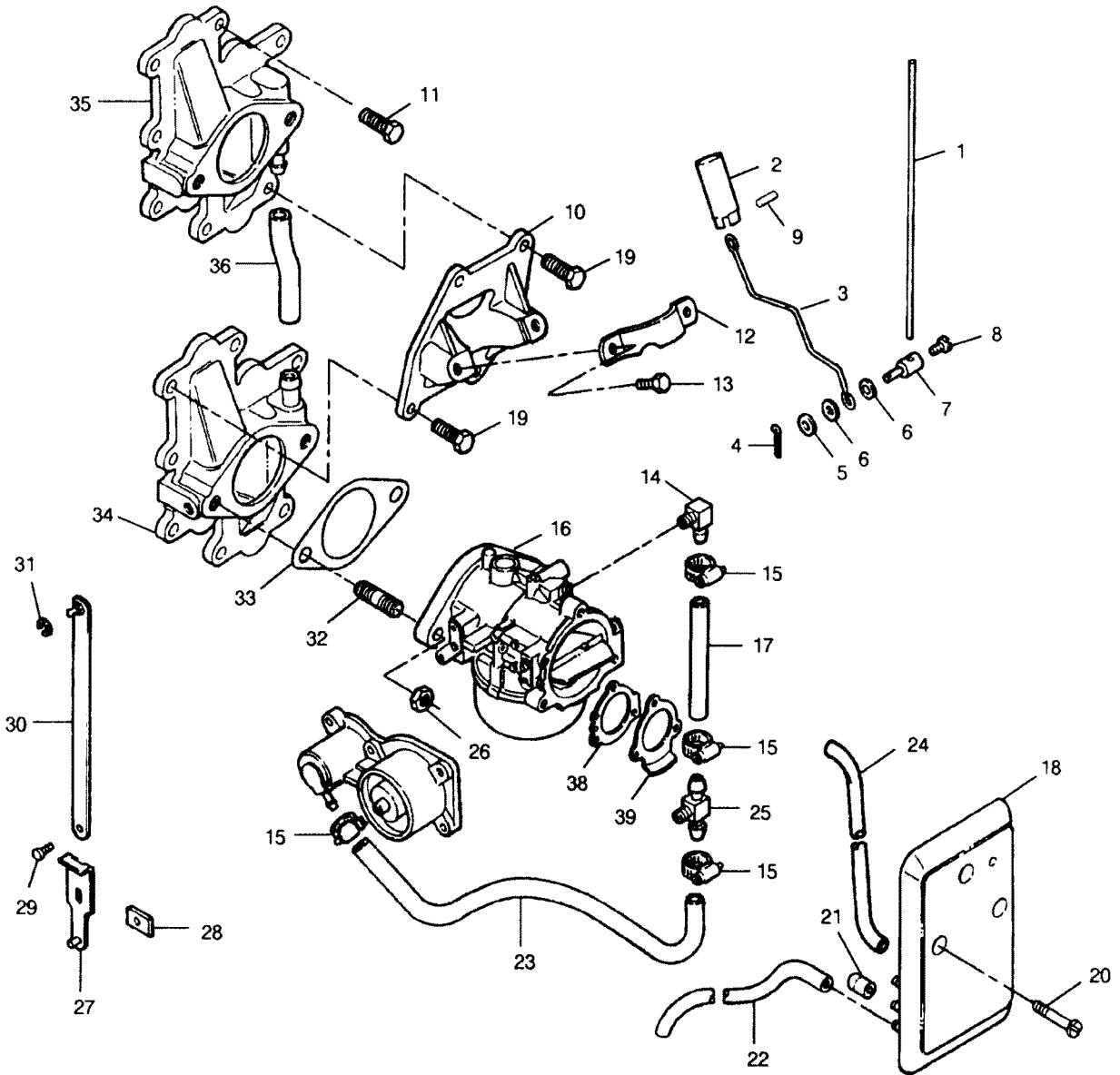
# STARTER



# STARTER

REF. NO.	PART NO.	SYM.	QTY.	DESCRIPTION
G1	F15174		1	DRIVE KIT
G2	819222A1		1	PINION
G3	F15176		1	CAP (DRIVE END)
G4	F15177		1	ARMATURE
G5	F15178		1	THRU BOLT PACKAGE
G6	F15189		1	CAP, COMMUTATOR END
G7	F15190		1	BRUSH KIT
G8	F1641		1	LOCKNUT
G9	F684908-3		1	WIRE, STARTER
G10	F1922		1	SCREW, 1/4 - 20 X 5/8
G11	F616675		1	BRACKET, STARTER MOUNTING - LOWER
G12	F1854		1	SCREW, 1/4 - 20 X 5/8
G13	F8083		1	WASHER
G14	F616955-1		1	STARTER, COMPLETE
G15	F15158		2	SCREW, BRUSH HOLDER
G16	F15159		2	INSULATOR
G17	F15161		1	WASHER
G18	F8083		1	LOCKWASHER
G19	F15162		2	NUT
G20	F15160		1	WASHER, INSULATING

# INTAKE COVER

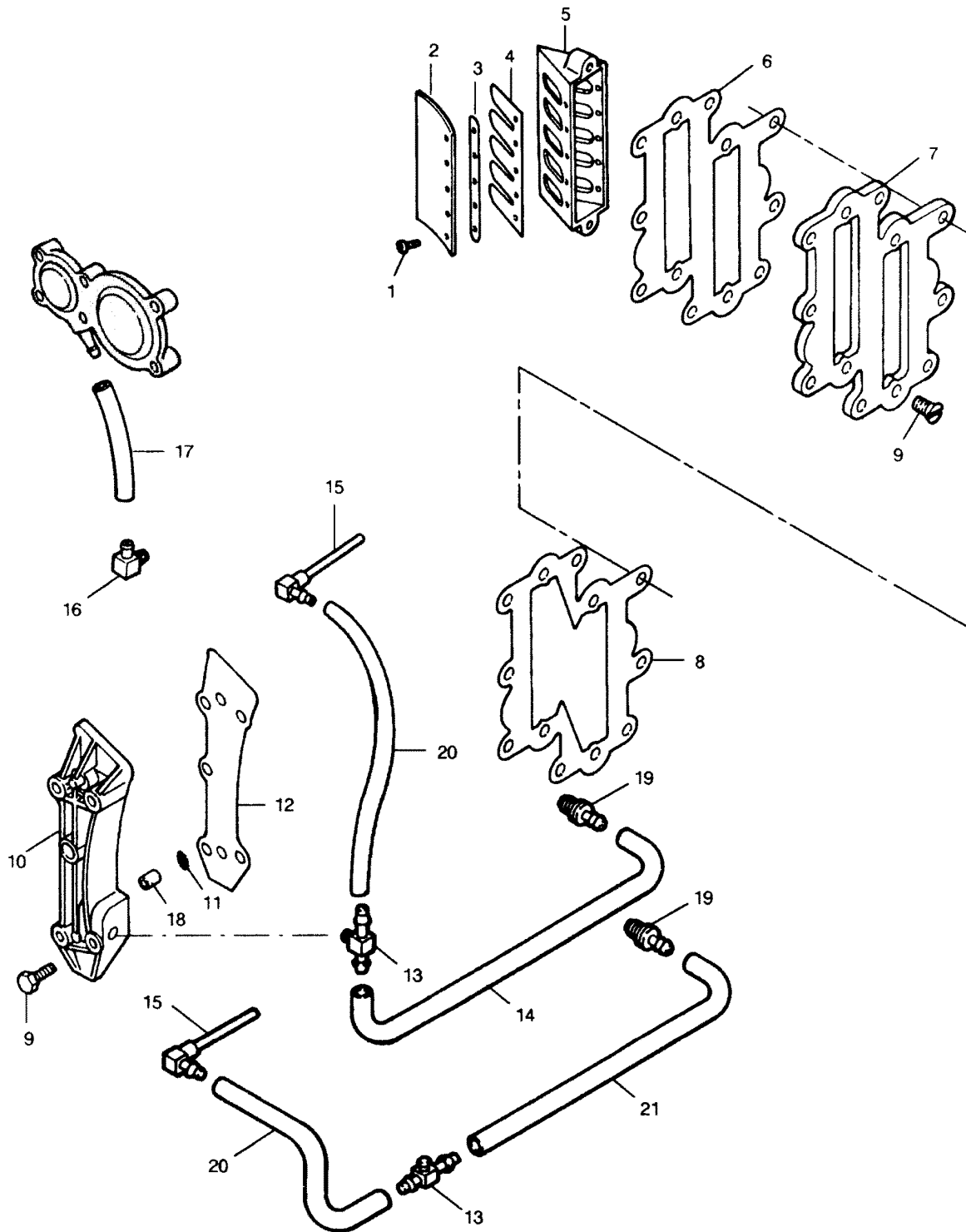




# INTAKE COVER

REF. NO.	PART NO.	SYM.	QTY.	DESCRIPTION
1	F85509-1		1	LINK, CHOKE
2	F391926-1		1	PLUNGER, CHOKE SOLENOID
3	F440925		1	ROD, CHOKE SOLENOID
4	F1014		1	COTTER PIN
5	F8080		3	WASHER
6	F184579		5	SEAL
7	F85033		1	SWIVEL, CHOKE (BOTTOM CARBURETOR)
-	<b>F184033-1</b>		<b>1</b>	<b>SWIVEL, CHOKE (TOP CARBURETOR)</b>
8	F1059		2	SCREW, 6 - 32 X 1/4
9	F2033		1	GROOVE PIN
10	F372958		1	BRACKET, CHOKE SOLENOID
11	F1915		10	SCREW, 1/4 - 20 X 7/8
12	F85317-3		1	CLAMP, CHOKE SOLENOID
13	F1236		2	SCREW, 1/4 - 20 X 1/2
14	F84314-2		1	ELBOW, FUEL (TOP CARBURETOR)
15	F698772		4	CLAMP
16	F698061-3		1	CARBURETOR COMPLETE, TOP (TC108D)
-	<b>F699061-3</b>		<b>1</b>	<b>CARBURETOR COMPLETE, BOTTOM (TC109D)</b>
17	FS698865		1	HOSE
18	F698826		2	COVER, CARBURETOR
19	F1532		4	SCREW, 1/4 - 20 X 1
20	10-819034		6	SCREW, 1/4 - 20 X 1-5/8
21	F698942		1	BUMPER
22	F698758		2	HOSE, CARBURETOR COVER DRAIN
23	F695754		1	HOSE, FUEL LINE
24	F698360		2	HOSE, FUEL BOWL VENT
25	F85314-1		1	FITTING, FUEL (BOTTOM CARBURETOR)
26	F1346		4	NUT, 3/8 - 16
27	FA85193		1	TIE BAR END W/SWIVEL
28	F1693		1	NUT, TIE BAR RETAINER
29	F1064		1	SCREW, 8 - 32 X 3/8
30	FA178233		1	TIE BAR, THROTTLE W/SWIVEL
31	F90807		2	RING, RETAINING
32	F440209		4	STUD
33	F440906		2	GASKET, CARBURETOR
34	817879A1		1	ADAPTER, LOWER CARBURETOR W/FITTING & STUDS
35	817799A1		1	ADAPTER, UPPER CARBURETOR W/FITTING & STUDS
36	F440254		1	HOSE (BALANCE TUBE)
38	F698836		2	GASKET
39	F698404		2	PLATE, DEFLECTOR

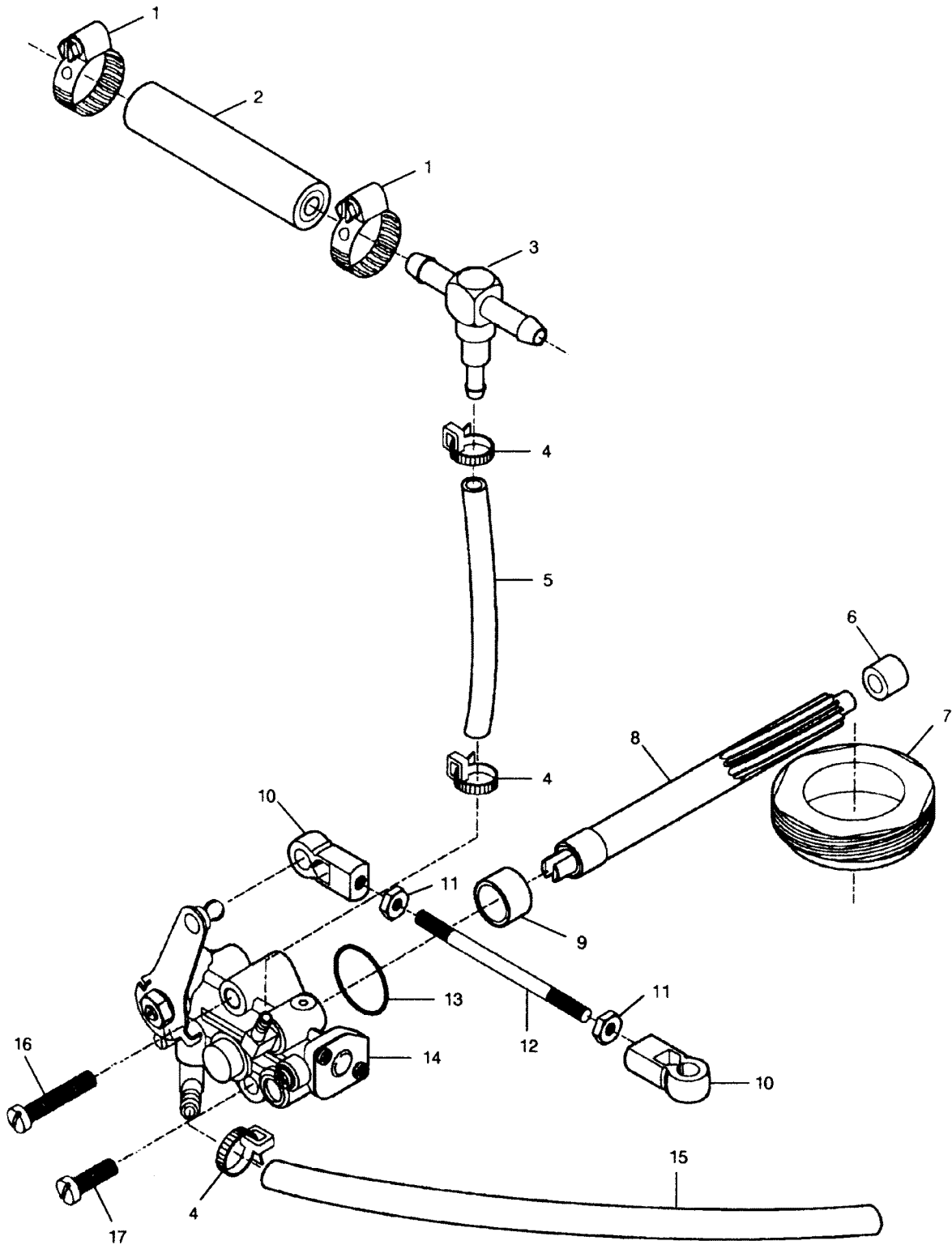
# REED PLATE AND RECIRCULATION SYSTEM



## REED PLATE AND RECIRCULATION SYSTEM

REF. NO.	PART NO.	SYM.	QTY.	DESCRIPTION
1	F2293		6	SCREW, 6 - 32 X 5/16
2	F85161-1		8	STOP, REED
3	F523451		8	SPACER, REED STOP
4	F530160		8	REED (5 PETAL)
5	818108A1		4	PLATE, REED (COMPLETE)
6	F406406		2	GASKET, DEFLECTOR PLATE
7	F720404		2	PLATE, DEFLECTOR
8	F178168-1		2	GASKET, CARBURETOR ADAPTER
9	F1831		8	SCREW, 1/4 - 20 X 5/8
10	817877A3		2	COVER, CYLINDER DRAIN
11	F429811		2	SCREEN
12	F686472		1	HOSE, PUDDLE DRAIN
13	F745801		2	FITTING, CYLINDER DRAIN
14	32-99130-28		2	HOSE, PUDDLE DRAIN
15	F404314		2	ELBOW, RECIRCULATING
16	F695314		1	ELBOW, IMPULSE HOSE
17	F440254		1	HOSE, IMPULSE
18	F694740		2	VALVE, CHECK
19	F743858		2	FITTING, CHECK
20	32-99130-30		2	HOSE, PUDDLE DRAIN
21	32-99130-45		1	HOSE, PUDDLE DRAIN

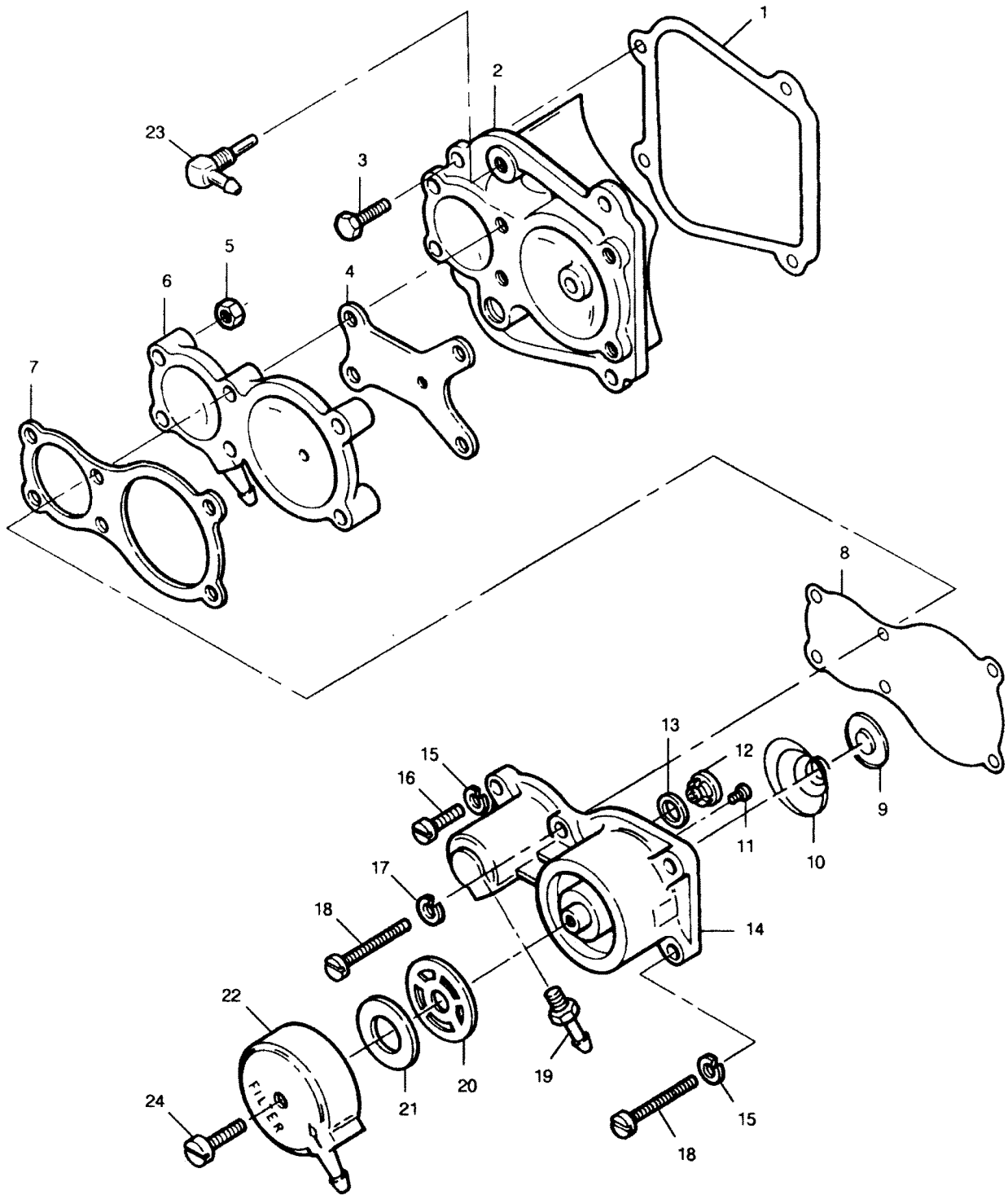
# VRO PUMP



# VRO PUMP

REF. NO.	PART NO.	SYM.	QTY.	DESCRIPTION
1	F698772		2	CLAMP
2	748243		1	HOSE
3	F748740		1	VALVE, CHECK
4	F1845		3	TY-RAP
5	32-43016-13		1	HOSE
6	748100		1	BEARING
7	F748691		1	GEAR, WORM
8	F748316		1	SHAFT
9	748527		1	BEARING
10	817747--1		2	BALL JOINT
11	11-68219		2	NUT, 10-32
12	819845		1	LINK, OIL PUMP
13	748342		1	SEAL
14	819438		1	PUMP, VARIABLE RATIO OIL
15	32-43017-64		1	HOSE
16	F1813		1	SCREW, 10-24 X 1-1/8
17	F1080		1	SCREW, 10-24 X 3/4

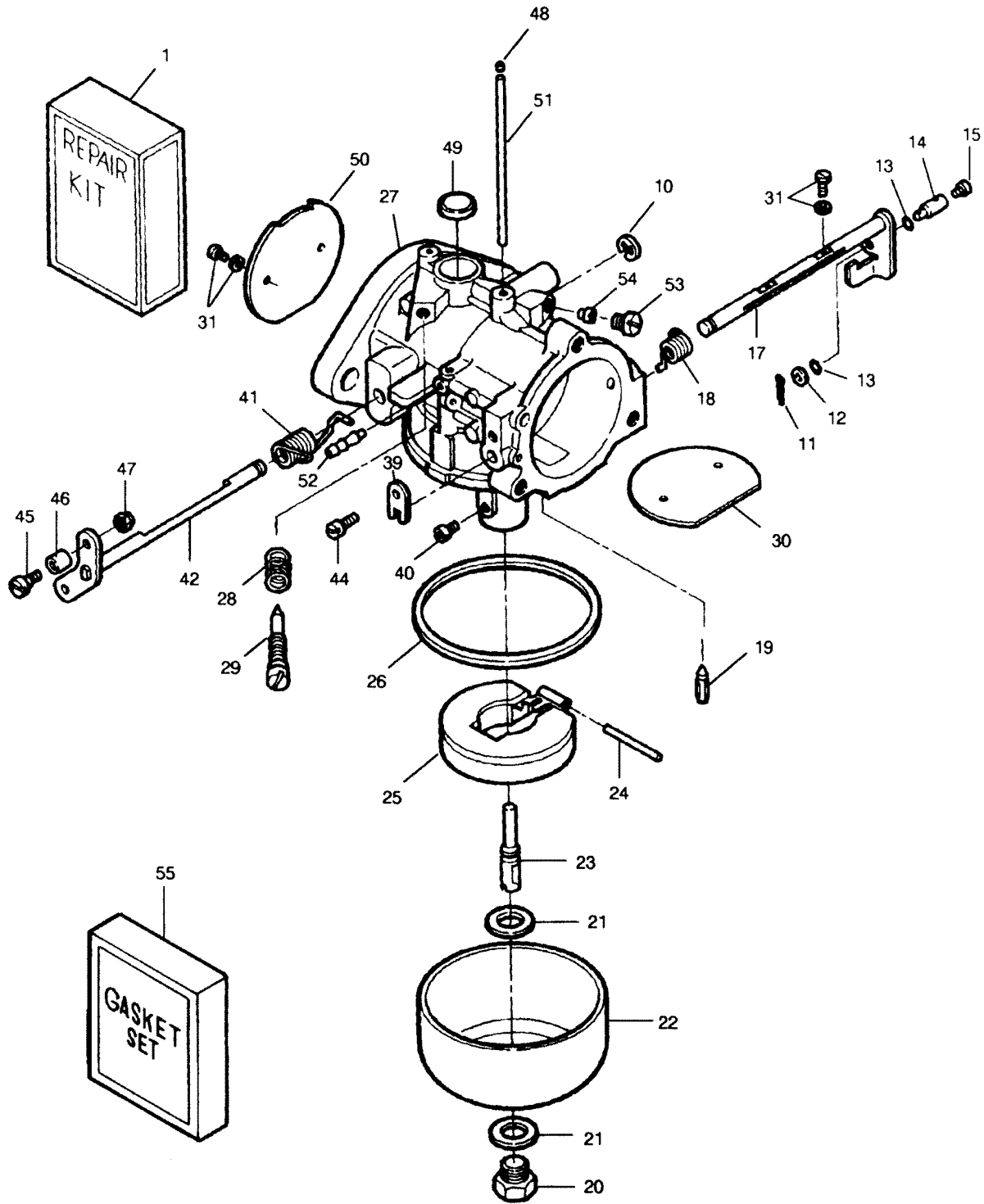
# FUEL PUMP



# FUEL PUMP

REF. NO.	PART NO.	SYM.	QTY.	DESCRIPTION
1	F40223		5	GASKET, TRANSFER COVER
2	817870A1		1	COVER, FUEL PUMP W/PLUG
3	F1502		4	SCREW, 1/4 - 20 X 5/8
4	F658803		1	GASKET, SPACER PLATE
5	F1473		2	NUT, 10 - 24
6	F658836		1	SPACER
7	F438760		1	GASKET, FUEL PUMP
8	F438747		1	DIAPHRAGM, FUEL PUMP
9	F686096		1	RETAINER, BOOSTER SPRING
10	F686300		1	SPRING, PUMP BOOST
11	F1860		2	SCREW, 6 - 32 X 1/4
12	F177330		3	VALVE, FUEL PUMP
13	F84792		1	GASKET, CENTER VALVE
14	FA686431		1	BODY, FUEL PUMP
15	F1975		2	LOCKWASHER
16	F2438		1	SCREW, 10 - 24 X 3/4
17	F8083		4	LOCKWASHER
18	F1504		4	SCREW, 1/4 - 20 X 1-1/4
19	F438801		1	FITTING
20	F438617		1	GASKET, FUEL PUMP BOWL
21	F438653		1	SCREEN, FUEL PUMP
22	F438500		1	BOWL, SEDIMENT
23	F404314		1	ELBOW, RECIRCULATING
24	F2438		2	SCREW, 10 - 24 X 3/4
-	<b>817919A1</b>		<b>1</b>	<b>FUEL PUMP COMPLETE</b>

# CARBURETOR



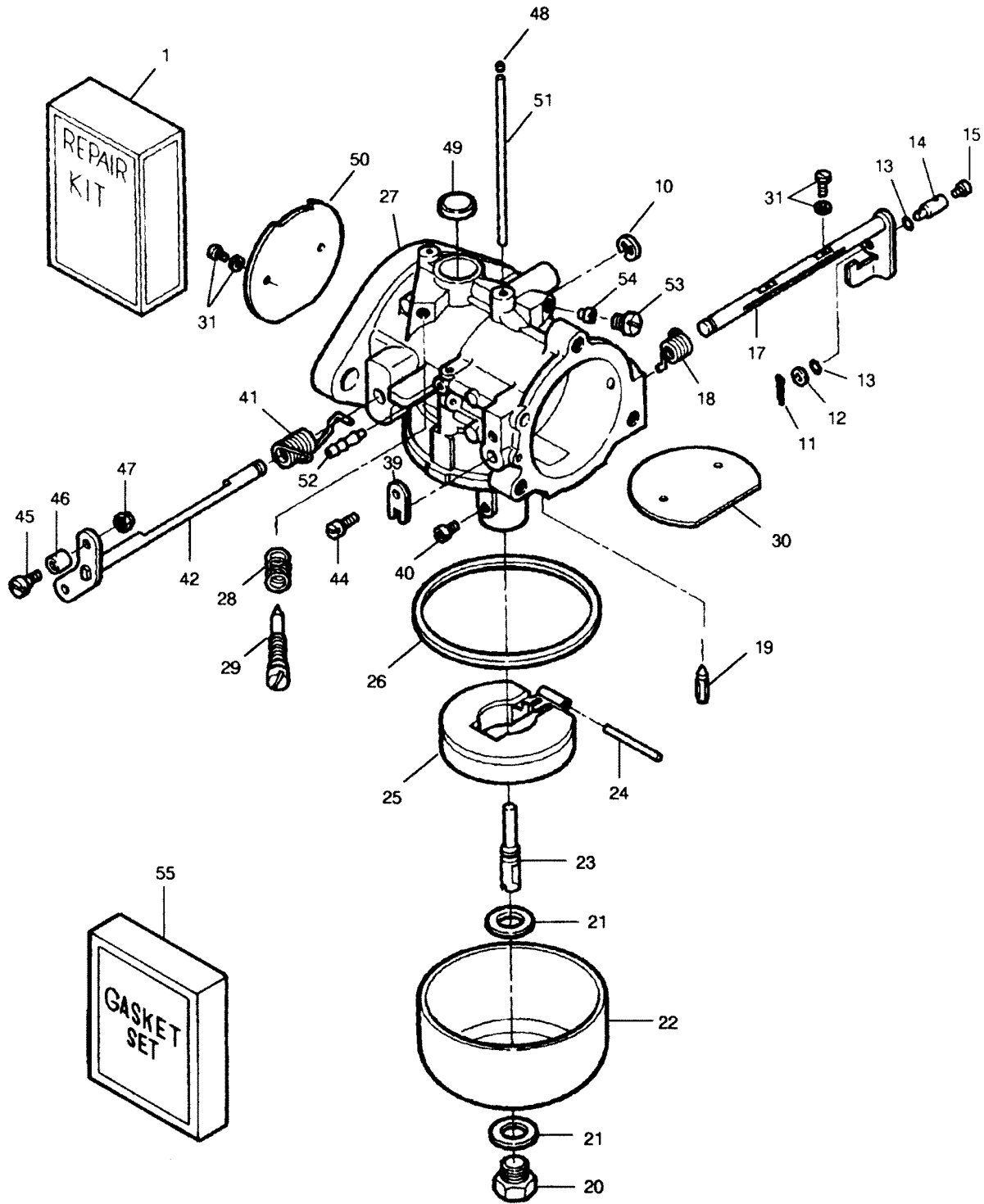


# CARBURETOR

REF. NO.	PART NO.	SYM.	QTY.	DESCRIPTION
1	FK10288		1	REPAIR PARTS KIT
10	FO16620		1	E-RING
11	F1014		2	COTTER PIN
12	F8088		3	PLAIN WASHER
13	F184579		5	O-RING SEAL
14	F184033-1		1	SWIVEL, TOP CARBURETOR
-	<b>F85033</b>		<b>1</b>	<b>SWIVEL, CHOKE ROD, BOTTOM CARB. (NOT SHOWN)</b>
15	F1059		2	SCREW, 6 - 32 X 1/4
17	FO16301		1	SHAFT, CHOKE
18	F10285		1	SPRING, CHOKE RETURN
19	F10265		1	NEEDLE, INLET
20	FO16132		1	SCREW, FUEL BOWL RETAINING
21	FO5323		2	GASKET, FUEL BOWL RETAINING SCREW
22	FO16130		1	BOWL, FUEL
23	FO16133		1	MAIN NOZZLE
24	FO13944		1	PIN, FLOAT LEVER
25	FO13554		1	FLOAT
26	FO15623		1	GASKET, FUEL BOWL
27	F698061-3		1	CARBURETOR COMPLETE, TOP (TC108D)
-	<b>F699061-3</b>		<b>1</b>	<b>CARBURETOR COMPLETE, BOTTOM (TC109D)</b>
28	FO11103		1	SPRING, IDLE MIXTURE
29	F10268		1	SCREW, IDLE MIXTURE
30	FO17719		1	SHUTTER, CHOKE
31	F10328		4	SCREW, CHOKE AND THROTTLE SHUTTER
39	FO9678		1	CLIP, CHOKE SHAFT
40	F10271		1	MAIN FUEL JET (.096) 0 - 1500 FT. (TOP CARB)
-	<b>FO14191</b>		<b>1</b>	<b>MAIN FUEL JET (.094) 0 - 1500 FT. (BOTTOM CARB)</b>
-	<b>FO14191</b>		-	<b>MAIN FUEL JET (.094) 1500 - 3000 FT. (TOP CARB)</b>
-	<b>FO14190</b>		-	<b>MAIN FUEL JET (.092) 1500 - 3000 FT. (BOTTOM CARB)</b>
-	<b>FO14190</b>		-	<b>MAIN FUEL JET (.092) 3000 - 4500 FT. (TOP CARB)</b>
-	<b>FO15406</b>		-	<b>MAIN FUEL JET (.090) 3000 - 4500 FT. (BOTTOM CARB)</b>
-	<b>FO15406</b>		-	<b>MAIN FUEL JET (.090) 4500 - 6000 FT. (TOP CARB)</b>
-	<b>FO13193</b>		-	<b>MAIN FUEL JET (.088) 4500 - 6000 FT. (BOTTOM CARB)</b>
-	<b>FO13193</b>		-	<b>MAIN FUEL JET (.088) 6000 - 10000 FT. (TOP CARB)</b>
-	<b>FO13949</b>		-	<b>MAIN FUEL JET (.086) 6000 - 10000 FT. (BOTTOM CARB)</b>
41	FO16143		1	SPRING, THROTTLE RETURN
42	FO17884		1	SHAFT, THROTTLE
44	F10284		1	SCREW
45	F333316		1	SHAFT, THROTTLE ROLLER
46	F92759		1	ROLLER, THROTTLE
47	F1997		1	STOP NUT, 8 - 32
48	FO10588		8	PLUG
49	FO16128		1	PLUG

CONTINUED ON NEXT PAGE ➡

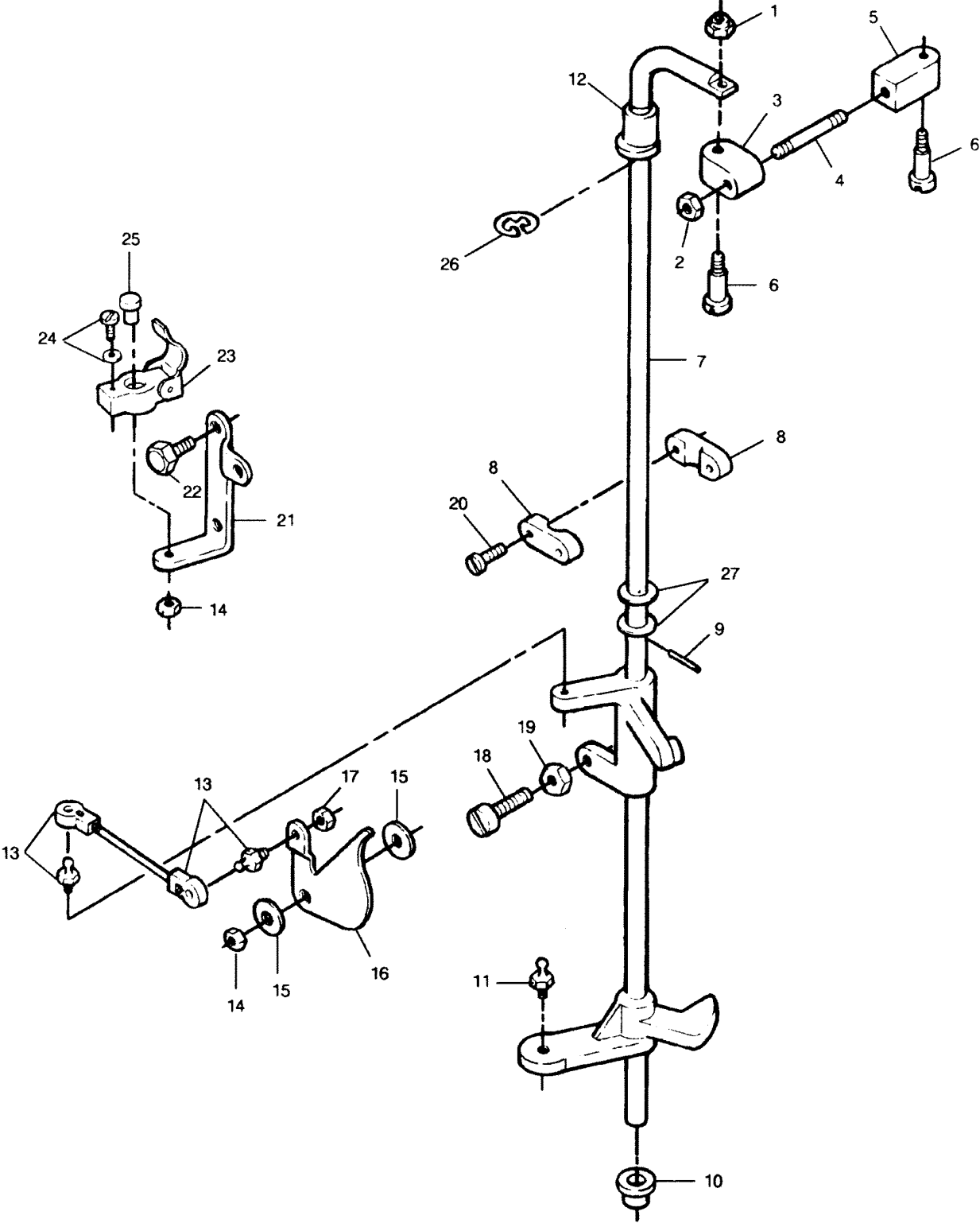
# CARBURETOR



# CARBURETOR

REF. NO.	PART NO.	SYM.	QTY.	DESCRIPTION
50	FO16142		1	SHUTTER, THROTTLE
51	FO16993		1	TUBE, BY-PASS
52	F10274		1	CONNECTOR
53	F10275		1	SCREW, SEALING
54	F10273		1	JET (.047)
55	FK10023		1	GASKET SET

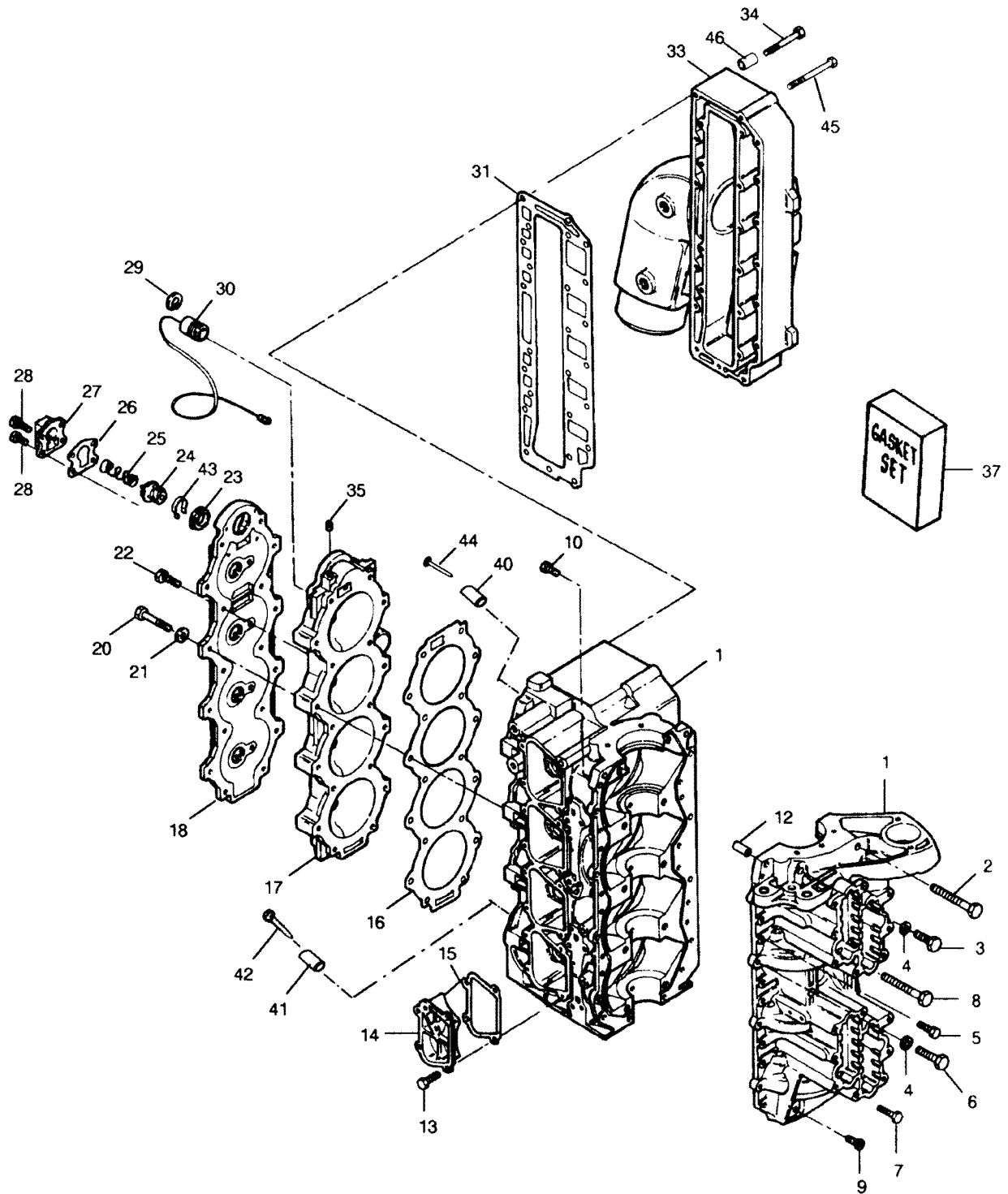
# TOWERSHAFT AND THROTTLE LINKAGE



## TOWERSHAFT AND THROTTLE LINKAGE

REF. NO.	PART NO.	SYM.	QTY.	DESCRIPTION
1	F7009		1	LOCKNUT, 10 - 24
2	F2015		1	JAM NUT, 1/4 - 28
3	F499035		1	END, CONTROL ROD (TO TOWERSHAFT)
4	F85445-1		1	ROD, SPARK CONTROL
5	F499036-1		1	END CONTROL ROD (TO TRIGGER)
6	F499026		2	SWIVEL
7	819484A1		1	TOWERSHAFT
8	FA607689		2	BEARING, TOWERSHAFT
9	F8540		2	PIN
10	F40689-1		1	BEARING
11	F640273-1		1	STUD, THROTTLE CONNECTOR
12	F491689-1		1	BEARING, UPPER TOWERSHAFT
13	817747--1		2	JOINT, BALL
14	F7008		2	NUT, 1/4 - 20
15	F269319		2	BEARING
16	F698192		1	CAM, THROTTLE
17	F1513		1	NUT, 10 - 32
18	F1504		1	SCREW, THROTTLE STOP, 1/4 - 20 X 1-1/4
19	F1341		1	NUT, 1/4 - 20
20	F1829		2	SCREW, 10 - 24 X 7/8
21	F695872		1	BRACKET, THROTTLE CABLE
22	F1238		2	SCREW, 1/4 - 20 X 3/4
23	FK405020		1	SWIVEL W/CLAMP
24	F2217		1	SCREW, 10 - 24 X 3/8
25	F405457		1	PIVOT
26	F185764		1	RING, RETAINING
27	F1856		2	WASHER

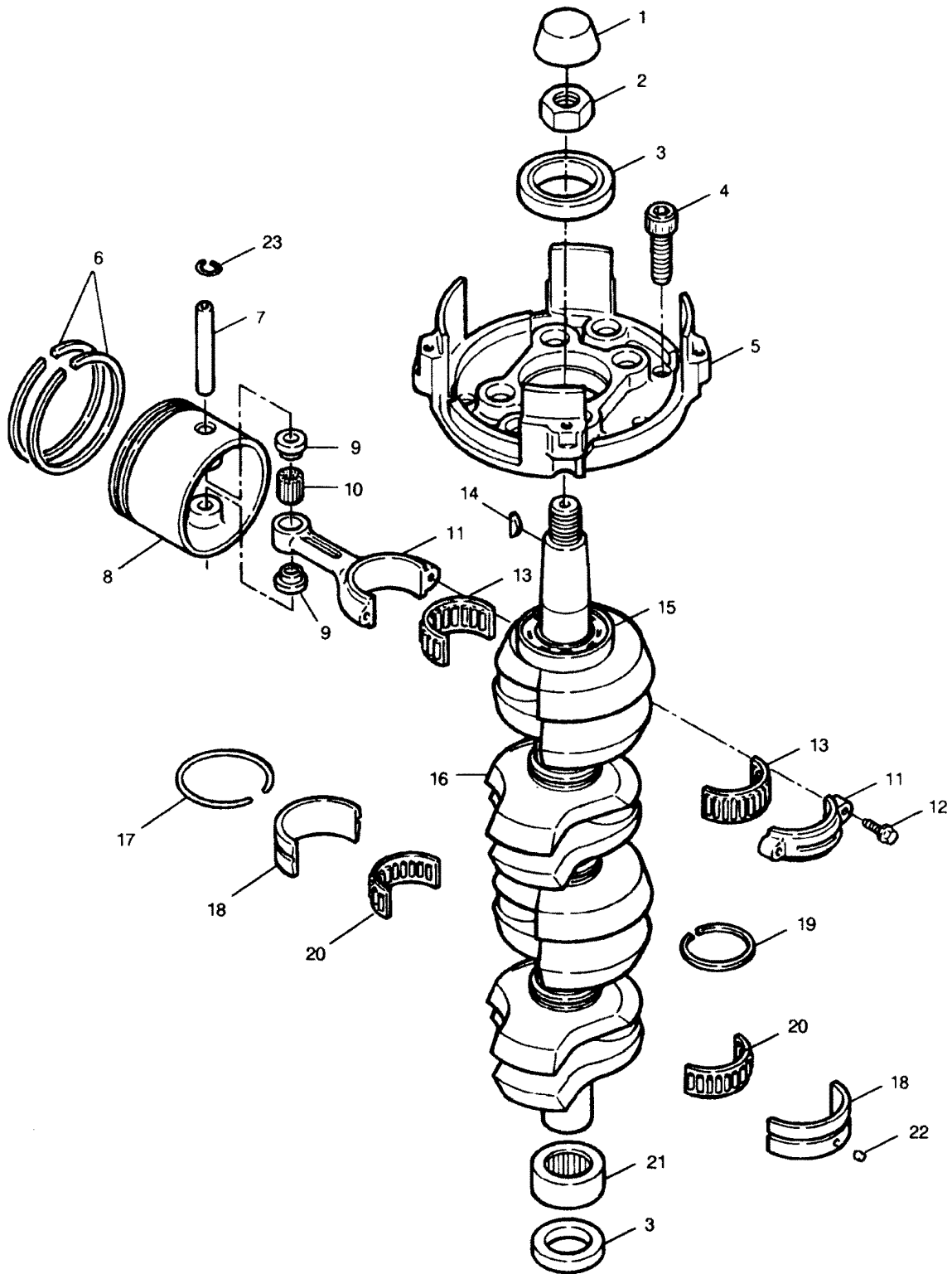
# POWER HEAD



# POWER HEAD

REF. NO.	PART NO.	SYM.	QTY.	DESCRIPTION
1	800-819436A4		1	CYLINDER
-	<b>800-819436A5</b>		<b>1</b>	<b>SHORT BLOCK</b>
2	F1874		1	SCREW, 3/8 - 16 X 3-1/8
3	F1009		1	SCREW, 3/8 - 16 X 2-3/4
4	F8104		4	WASHER
5	F1864		14	SCREW, 1/4 - 20 X 3/4
6	F1253		4	SCREW, 3/8 - 16 X 2
7	F1872		2	SCREW, 3/8 - 16 X 1-3/4
8	F1873		2	SCREW, 3/8 - 16 X 3
9	F1699		1	SCREW, 1/4 - 20 X 1-1/8
10	F1504		2	SCREW, 1/4 - 20 X 1-1/4
12	F8563		2	DOWEL PIN
14	817790A1		3	COVER, TRANSFER PORT
15	F40223		4	GASKET, TRANSFER PORT COVER
16	F476529-4		1	GASKET, CYLINDER HEAD
17	F720518		1	HEAD
18	F665995		1	COVER, CYLINDER HEAD
20	F1987		18	WASHER
21	F1883		18	SCREW, 5/16 - 18 X 2-3/8
22	F1203		4	SCREW, 1/4 - 20 X 7/8
23	F664914		1	SEAL
24	F664068		1	THERMOSTAT (130 DEGREE)
25	F664268		1	SPRING
26	F476067		1	GASKET
27	F476066-1		1	COVER
28	F1107		4	SCREW, 1/4 - 20 X 3/4
29	F717096		1	RING, RETAINING
30	F695449-2		1	THERMOSWITCH
31	819711		1	GASKET, EXHAUST PORT PLATE
33	F723168-1		1	MANIFOLD, EXHAUST
34	F2258		21	SCREW, 1/4 - 20 X 3
35	F722109-1		1	PLUG
37	FG1026-2		1	GASKET SET
40	F719943		1	TUBE, WATER JACKET (TOP)
41	F719418		3	TUBE, WATER JACKET
42	F719372		3	PIN
43	F719902		1	SPACER, THERMOSTAT SEAL
44	F691372		1	PIN
45	F2426		4	SCREW, 1/4 - 20 X 4
46	F8026		21	SPACER

# CRANKSHAFT AND PISTON

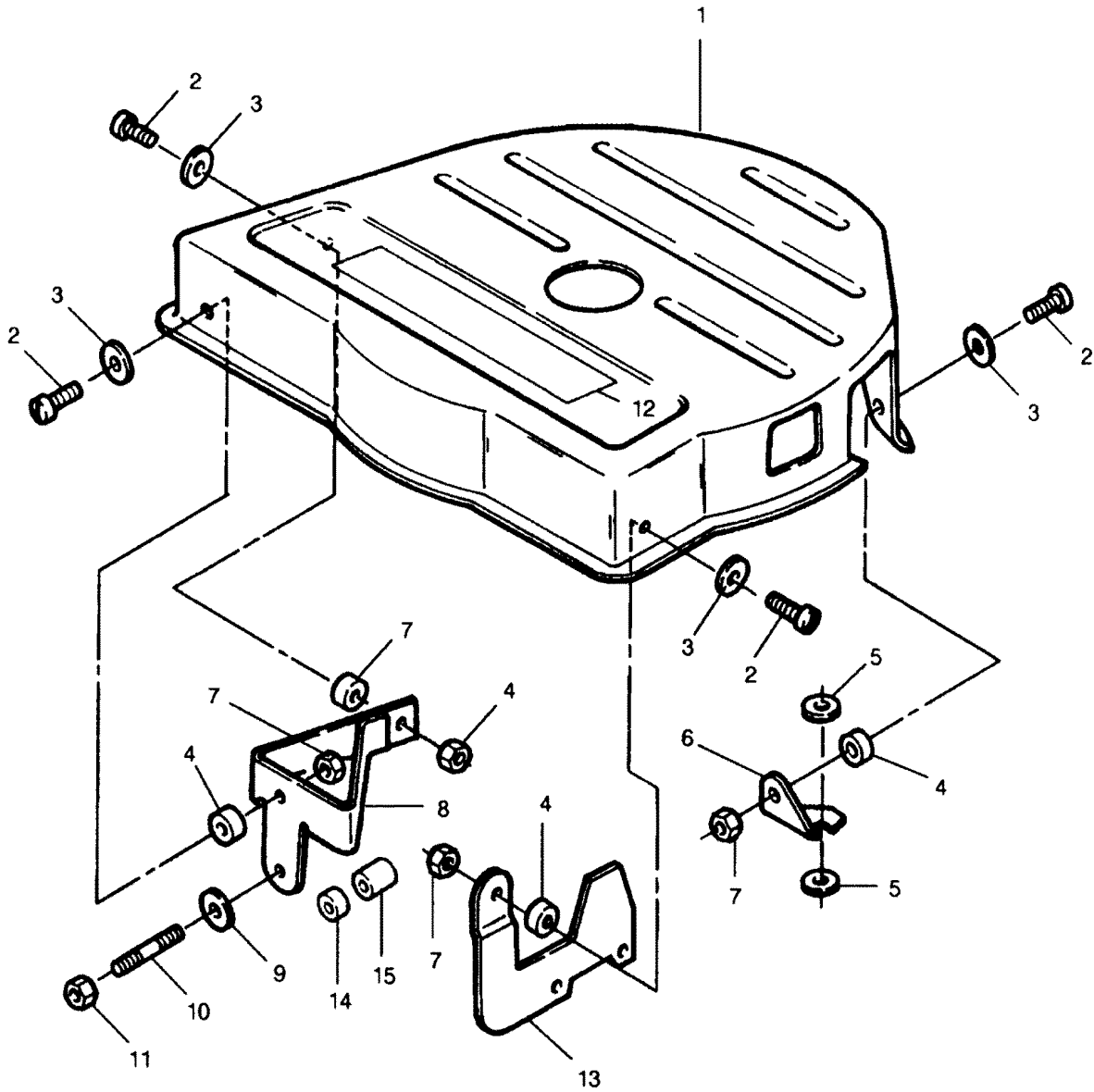




# CRANKSHAFT AND PISTON

REF. NO.	PART NO.	SYM.	QTY.	DESCRIPTION
1	F2067		1	CAP
2	F1968		1	NUT, 3/4 - 16
3	F523146-1		2	SEAL, CRANKSHAFT
4	F2081		5	SCREW, 1/4 - 20 X 3/4
5	31-818070A1		1	CAGE, BEARING W/SEAL
6	FA528260		4	RING, PISTON - STANDARD
-	<b>FSA528260</b>		<b>4</b>	<b>RING, PISTON - .010 OVERSIZE</b>
-	<b>39-818129A1</b>		<b>4</b>	<b>RING, PISTON - .030 OVERSIZE</b>
7	F694017		4	PIN, PISTON
8	700-819005		4	PISTON - STANDARD
-	<b>700-819005A6</b>		<b>4</b>	<b>PISTON - .010 OVERSIZE</b>
-	<b>700-819005A7</b>		<b>4</b>	<b>PISTON - .030 OVERSIZE</b>
9	F366215		8	SPACER, PISTON PIN
10	F335217-1		4	BEARING, PISTON PIN (26 PER SET)
11	600-818052A3		4	ROD, CONNECTING W/CAP AND SCREWS
12	F85634-2		8	SCREW, CONNECTING ROD
13	FK85228-1		4	BEARING CAGE W/ROLLERS
14	F85498-1		1	KEY, FLYWHEEL
15	F284659-2		1	BEARING, UPPER MAIN
16	400-819448A3		1	CRANKSHAFT W/UPPER MAIN BEARING & PUMP GEAR
17	F85410		3	SNAP RING
18	FA85655-1		3	RACE, CRANKSHAFT MAIN BEARING W/SNAP RING
19	F316579		3	SEAL, CRANKCASE
20	F85571		3	BEARING
21	31-818050A2		1	BEARING, CRANKSHAFT LOWER W/ SEAL
22	F85909-1		4	PIN, BEARING LOCATING (PRESSED INTO BLOCK)
23	F694096		8	RETAINER

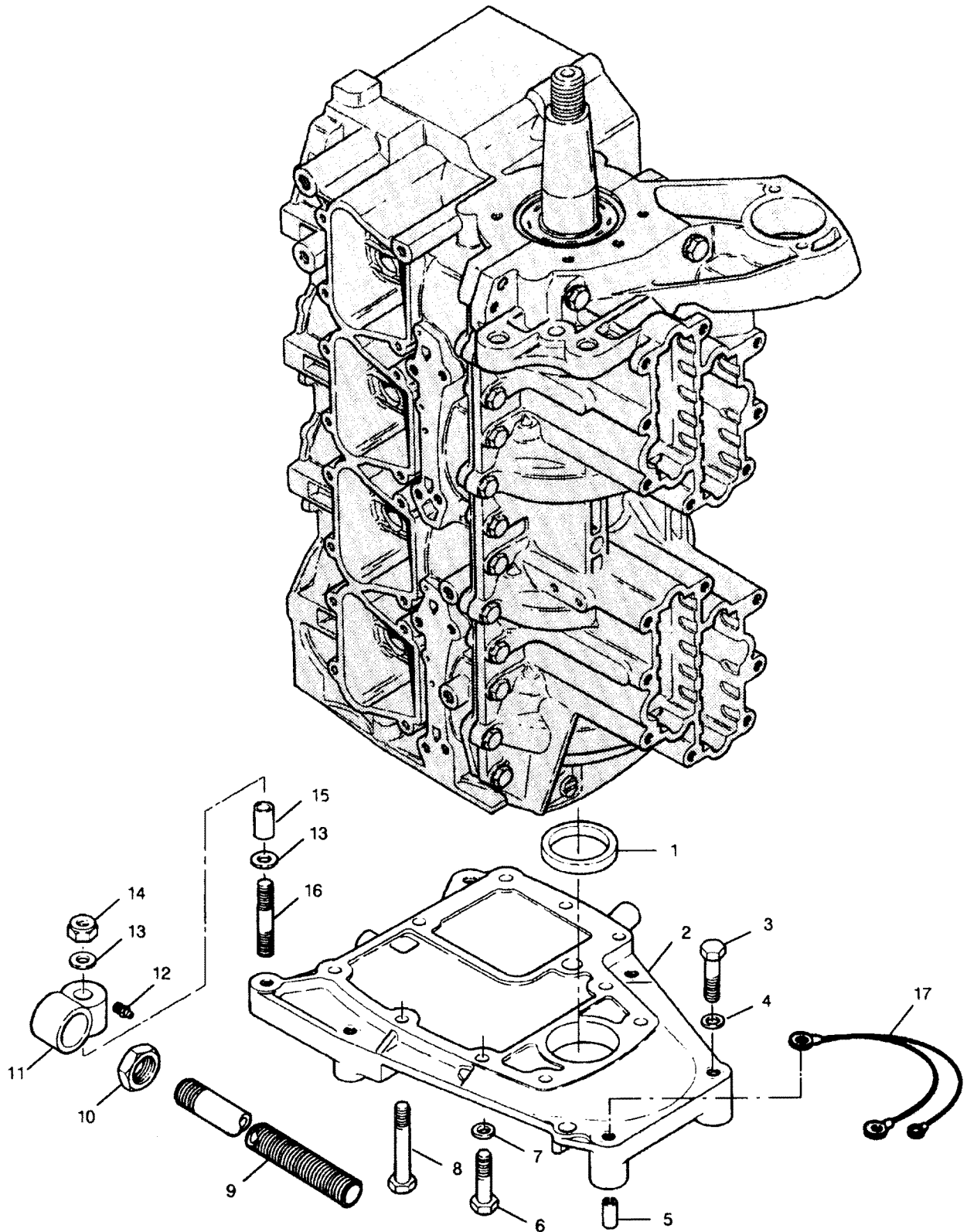
# FLYWHEEL COVER



# FLYWHEEL COVER

REF. NO.	PART NO.	SYM.	QTY.	DESCRIPTION
1	F695262		1	GUARD
2	F2421		4	SCREW, 5/16 X 3/8
3	F1739		4	WASHER
4	F695802		4	BUSHING
5	F8028		2	WASHER
6	F695952		1	BRACKET
7	F7008		4	NUT, 1/4 - 20
8	F695953		1	BRACKET
9	F8137		1	WASHER
10	F695210		1	STUD
11	F7006		1	NUT, 5/16 - 18
12	F722386		1	DECAL, FLYWHEEL COVER
13	F698951		1	BRACKET
14	F723786		1	SPACER
15	F722932		1	SPACER

# SPACER PLATE AND STEERING TUBE

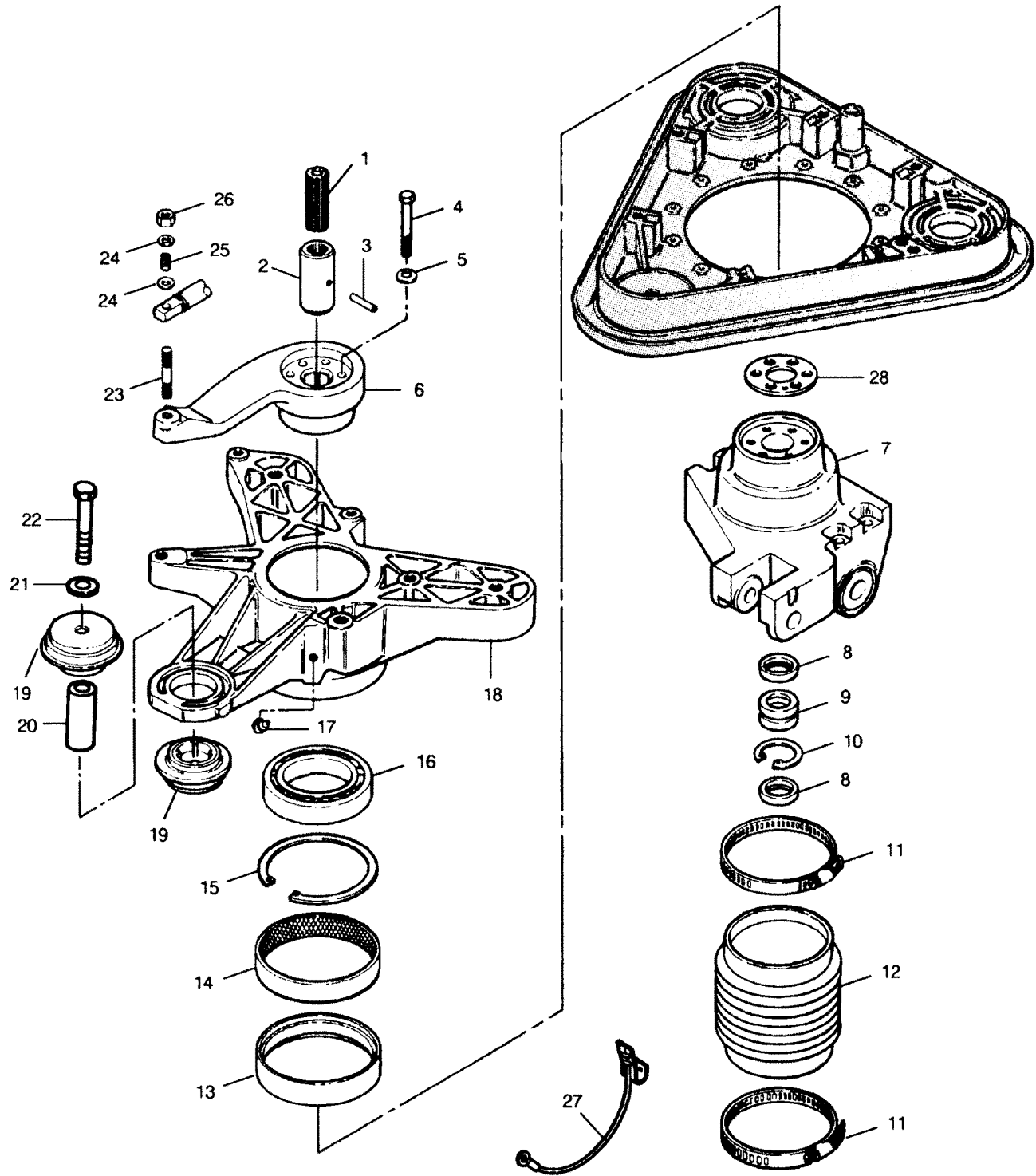


1450101 000

## SPACER PLATE AND STEERING TUBE

REF. NO.	PART NO.	SYM.	QTY.	DESCRIPTION
1	F695043		1	SLEEVE, ADAPTER
2	819496		1	PLATE, SPACER W/SLEEVE
3	F1544		5	SCREW, 3/8 - 16 X 2-1/4
4	F8075		5	WASHER
5	F8585		2	DOWEL PIN
6	F1005		4	SCREW, 3/8 - 16 X 1-1/2
7	F8075		10	WASHER
8	F2284		6	SCREW, 3/8 - 16 X 2-1/4
9	F695692		1	TUBE, STEERING
10	F7037		4	NUT, 7/8 - 14
11	FA695487		1	GUIDE, STEERING CABLE W/GREASE FITTING
12	F523274		1	FITTING, GREASE
13	F8151		2	WASHER
14	F695697		1	STOP NUT, 7/16 - 20
15	F698281		1	SPACER
16	F698273		1	STUD
17	84-819021A1		1	CABLE, GROUND

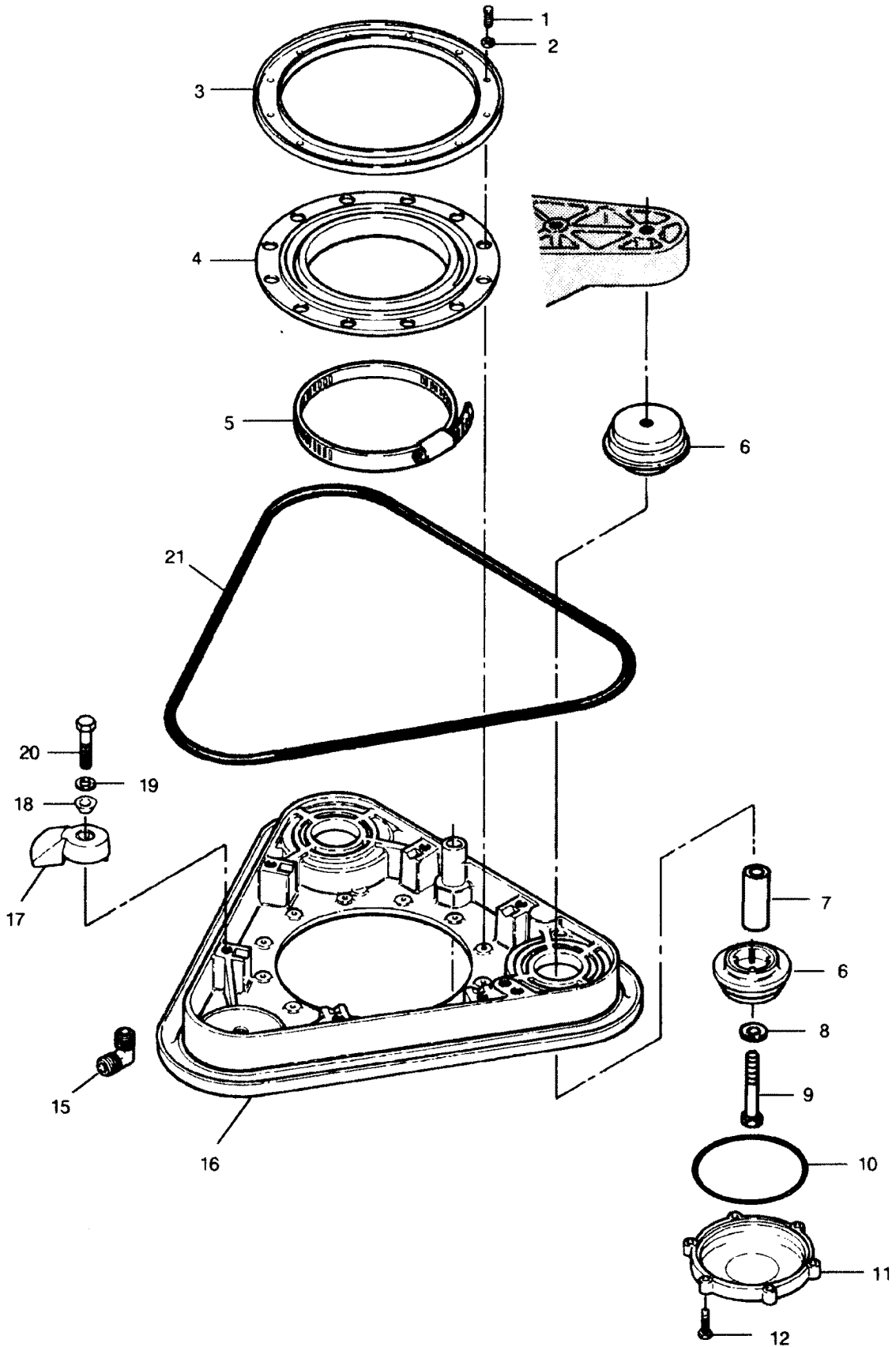
# MOUNT AND STEERING YOKE



## MOUNT AND STEERING YOKE

REF. NO.	PART NO.	SYM.	QTY.	DESCRIPTION
1	F695628-1		1	DRIVESHAFT, UPPER
2	FK695125		1	COUPLER
3	F8585		1	DOWEL PIN
4	F1883		5	SCREW, 5/16 - 18 X 2-3/8
5	F1907		5	WASHER
6	F722582		1	ARM, STEERING
7	FS722607		1	YOKE, STEERING W/BEARING AND SEALS
8	F695783		2	SEAL
9	31-815479		1	BEARING
10	F695208		1	RING, RETAINING
11	F506772-1		2	CLAMP
12	F695129		1	BELLOWS, U-JOINT
13	F695278		1	SEAL
14	F722816		1	BEARING, STEERING
15	F695420		1	RING, RETAINING
16	F695910		1	BEARING
17	F695274		1	FITTING, GREASE
18	F695346-2		1	MOUNT
19	F695965		2	MOUNT, ISOLATER
20	F698902		1	SPACER
21	F8145		1	WASHER
22	F2224		1	SCREW, 1/2 - 13 X 3-1/4
23	F695273		1	STUD, STEERING CABLE
24	F8038		2	WASHER
25	F523300-1		1	SPRING
26	F7004		1	NUT, 3/8 - 16
27	F695042		1	CABLE, GROUND
28	F722175		1	WASHER

# TRANSOM PLATE



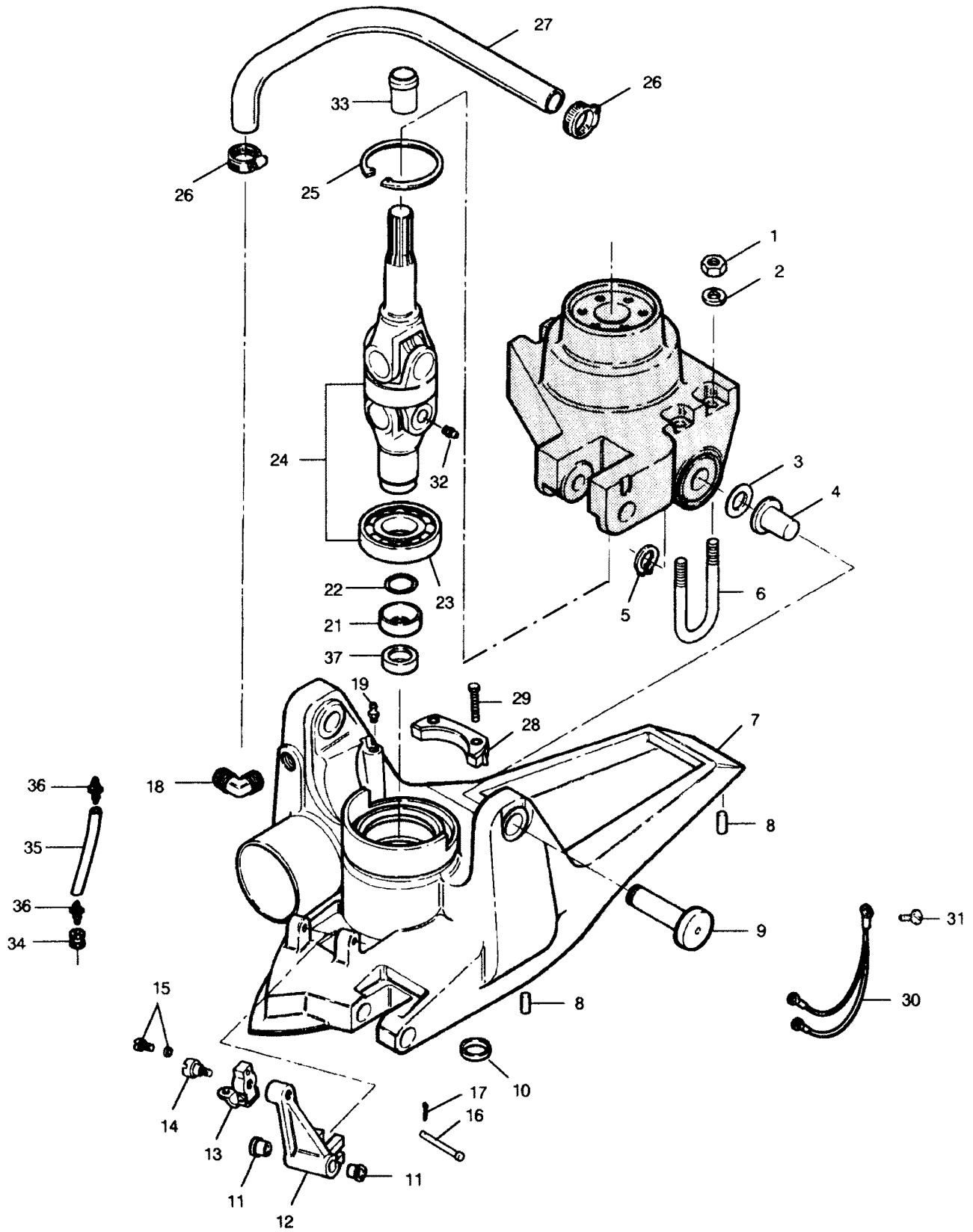
A450101 /



# TRANSOM PLATE

REF. NO.	PART NO.	SYM.	QTY.	DESCRIPTION
1	F1950		12	SCREW, 10 - 24 X 5/8
2	F2042		12	WASHER
3	F695741		1	RING, SEAL
4	F695342		1	SEAL, WATER
5	F695920		1	CLAMP, WATER SEAL
6	F695965		4	MOUNT, ISOLATOR
7	F698902		2	SPACER
8	F8145		2	WASKER
9	F2224		2	SCREW, 1/2 - 13 X 3-1/4
10	F695989		2	SEAL, O-RING
11	F695946		2	COVER
12	F2240		12	SCREW, 10 - 24 X 7/8
15	22-819070		1	ELBOW, WATER INLET
16	819045		1	PLATE, TRANSOM
17	F695870		6	CLAMP
18	F695422		6	PIVOT, BALL
19	F2014		6	WASHER
20	F1872		6	SCREW, 3/8 - 16 X 1-3/4
21	FS695736		1	SEAL, O-RING

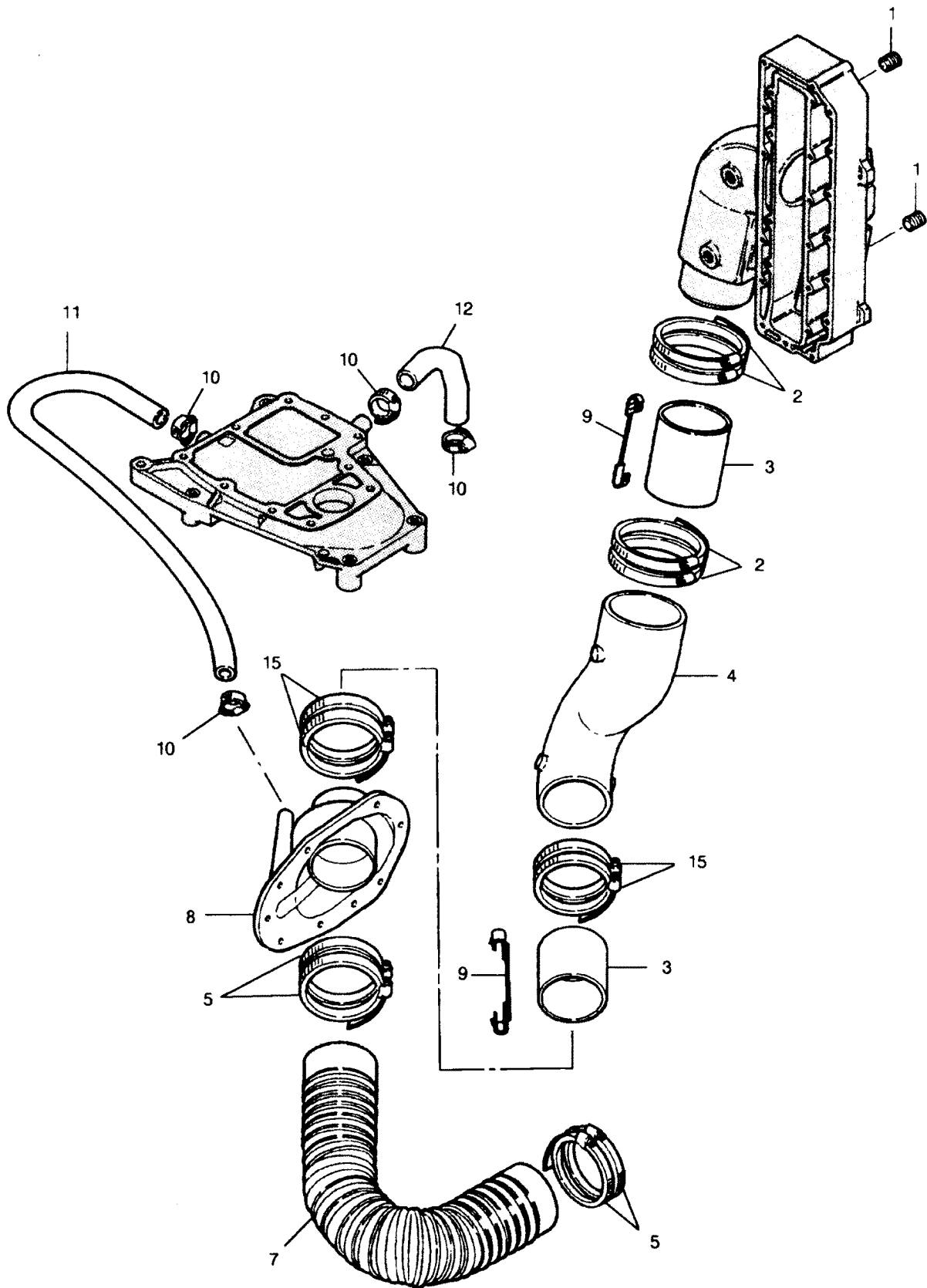
# U-JOINT AND HOUSING



# U-JOINT AND HOUSING

REF. NO.	PART NO.	SYM.	QTY.	DESCRIPTION
1	F7025		2	NUT, 3/8 - 16
2	F2014		2	WASHER
3	F695175		4	WASHER
4	F695610		2	BEARING
5	F695807		4	RING, RETAINING
6	F695632		1	"U" -BOLT
7	817980A1		1	HOUSING, U-JOINT
-	<b>817922A1</b>		<b>1</b>	<b>U-JOINT HOUSING W/U-JOINT</b>
8	F8580		2	PIN, LOCATING
9	F722440		2	PIN, PIVOT
10	F694736		1	SEAL, WATER PUMP OUTLET
11	F695189		2	BUSHING
12	F695621		1	LEVER, SHIFT
13	FK405020		1	CLAMP W/PIVOT SCREW
14	F405457		1	PIVOT SCREW
15	F2217		1	SCREW W/LOCKWASHER, 10 - 24 X 3/8
16	F695620		1	PIN, SHIFT ARM
17	F8581		1	COTTER PIN
18	22-819070		1	ELBOW, WATER LINE
19	16-819007		1	STUD, SHIFT CABLE
21	F695055		1	CAP
22	F695618-1		1	SEAL
23	F695527		1	BEARING
24	F2A695141		1	UNIVERSAL JOINT HOUSING
25	F695764		1	RING, RETAINING
26	F695771		2	CLAMP
27	F695259-2		1	HOSE
28	819011C		1	ANODE
29	F1657		2	SCREW, 5/16 - 18 X 1-3/4
30	84-819031A1		1	CABLE, GROUND
31	F2217		5	SCREW, 10 - 24 X 3/8
32	F17881		2	FITTING, GREASE
33	F438129		1	SEAL, DRIVESHAFT SPLINE
34	F747504		1	GROMMET
35	F747088		1	HOSE, SPEEDOMETER
36	F748801		2	FITTING
37	F695735		1	SEAL, LOWER U-JOINT

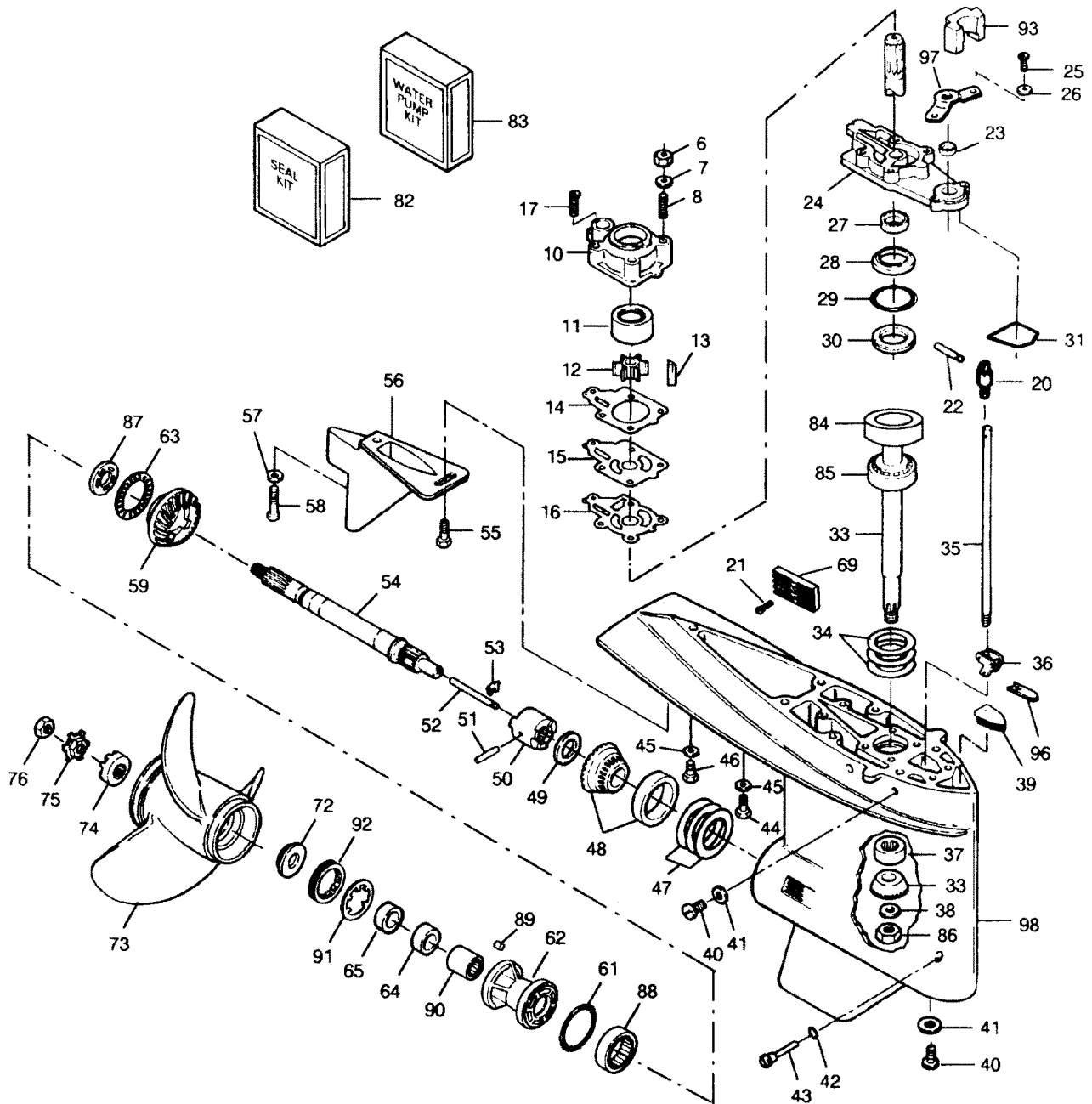
# EXHAUST SYSTEM



# EXHAUST SYSTEM

REF. NO.	PART NO.	SYM.	QTY.	DESCRIPTION
1	F695275		4	FITTING (PIPE PLUG)
2	F695649		4	CLAMP
3	F722261		2	HOSE, EXHAUST
4	F722167		1	ELBOW, INTERMEDIATE
5	F695744-1		4	CLAMP, HOSE
7	F695130-4		1	BELLOWS, EXHAUST
8	FS722996		1	FLANGE, EXHAUST
9	F695683		2	CABLE, GROUND
10	F695771		4	CLAMP, HOSE
11	F723259		1	HOSE, EXHAUST MANIFOLD TO SPACER PLATE
12	F695254		1	HOSE
15	F722774		4	CLAMP, HOSE

# GEAR HOUSING

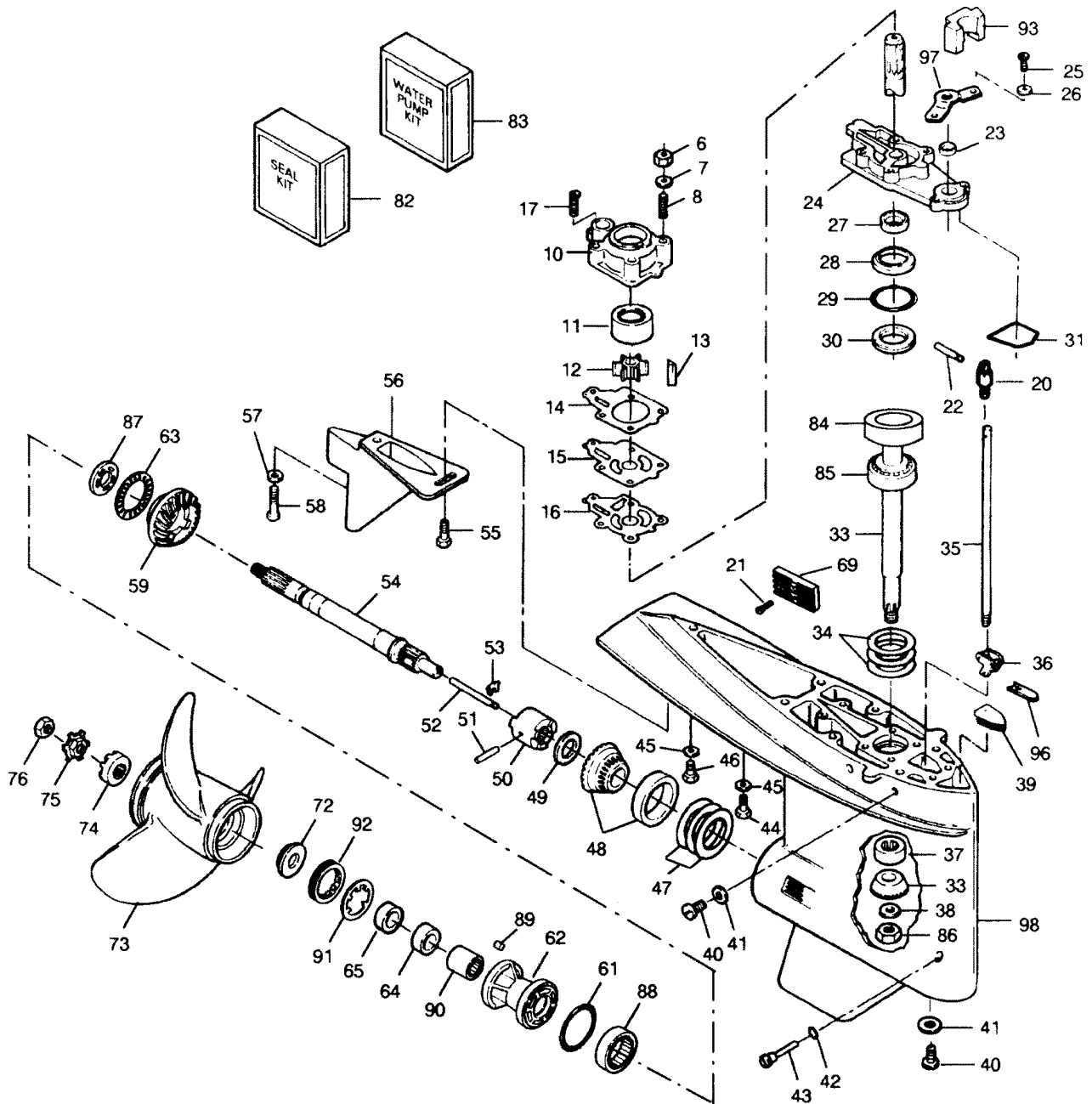


# GEAR HOUSING

REF. NO.	PART NO.	SYM.	QTY.	DESCRIPTION
6	F7061		4	NUT, 1/4 - 28
7	F2012		4	WASHER
8	F694210		4	STUD
10	F694060-2		1	BODY, WATER PUMP
11	F694564-1		1	INSERT
12	F694065		1	IMPELLER
13	F694498		1	KEY
14	F694031		1	GASKET
15	F699562		1	PLATE
16	F694830		1	GASKET
17	F2234		1	SCREW, #10 X 1-1/8
20	F695685-1		1	CONNECTOR, SHIFT ROD
21	F2317		1	SCREW, 1/4 - 20 X 7/8 S.S.
22	F695871		1	SHAFT, SHIFT ROD
23	F338618-1		1	SEAL, SHIFT ROD
24	818074A1		1	COVER, GEAR HOUSING W/SEAL
25	F1999		4	SCREW, 1/4 - 20 X 7/8 S.S.
26	F8038		4	WASHER
27	F694307		1	SEAL
28	F694305		1	SEAL
29	F74305		1	SEAL
30	F694961-1		1	RETAINER
31	F707305		1	O-RING
33	FS707628		1	DRIVESHAFT, LOWER
34	F9280		A/R	SHIM (.002)
-	<b>F9279</b>		<b>A/R</b>	<b>SHIM (.003)</b>
-	<b>F9278</b>		<b>A/R</b>	<b>SHIM (.005)</b>
-	<b>F9277</b>		<b>A/R</b>	<b>SHIM (.010)</b>
35	F523705-1		1	ROD, SHIFT LOWER
36	FA84621-1		1	ARM
37	F694057		1	BEARING
38	F694186		1	WASHER
39	F694226		1	PLUG, PITOT
40	F50109		3	PLUG
41	F8186		3	WASHER
42	F498618		1	SEAL
43	F498891		1	PIN
44	F2309		6	SCREW, 3/8 - 16 X 3-1/4
45	13-58643		7	WASHER
46	10-35047		1	SCREW, 3/8 - 16 X 1 - 1/4
47	F9284		A/R	SHIM (.002)
-	<b>F9283</b>		<b>A/R</b>	<b>SHIM (.003)</b>
-	<b>F9282</b>		<b>A/R</b>	<b>SHIM (.005)</b>

CONTINUED ON NEXT PAGE ➡

# GEAR HOUSING



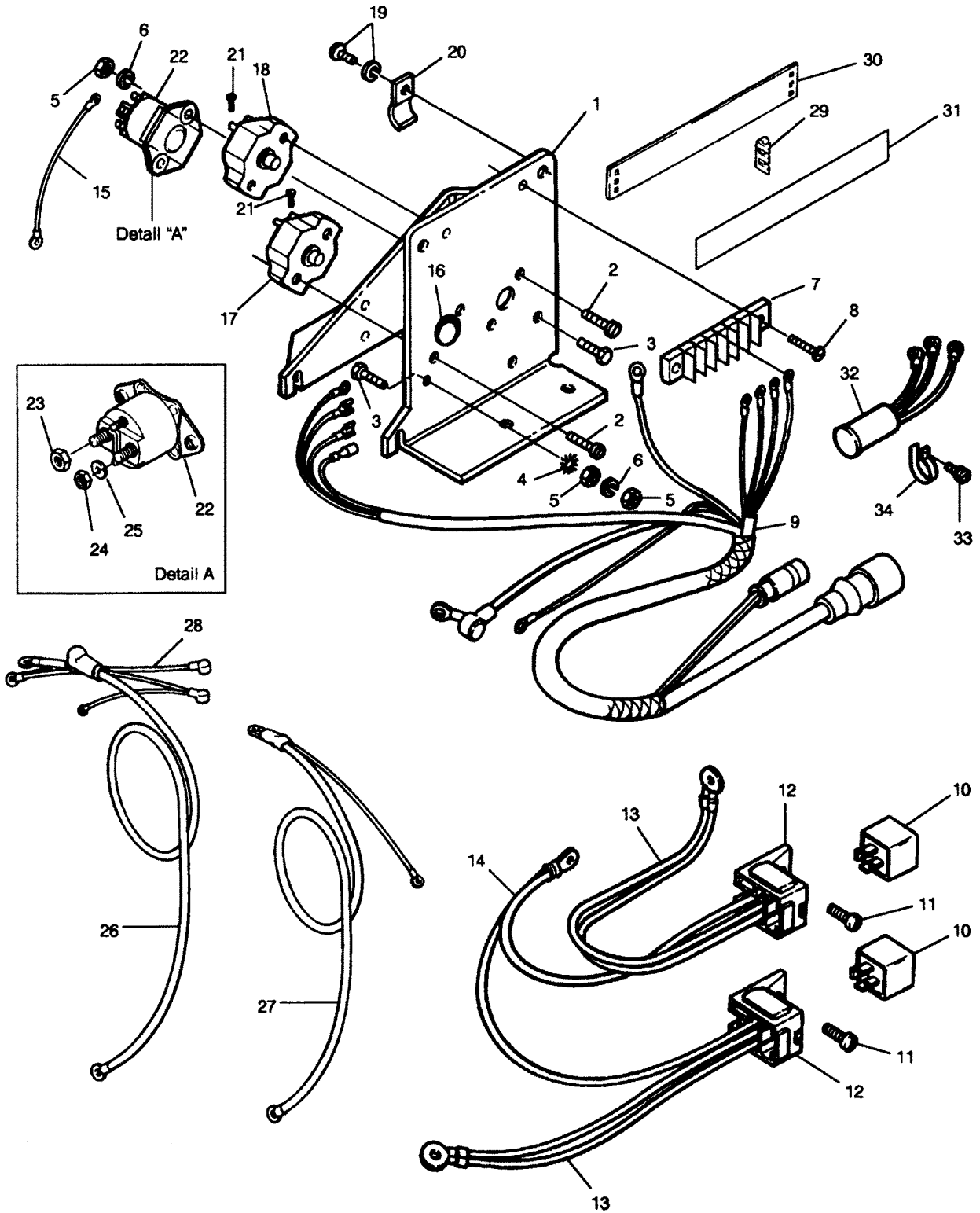


# GEAR HOUSING

REF. NO.	PART NO.	SYM.	QTY.	DESCRIPTION
-	<b>F9281</b>		<b>A/R</b>	<b>SHIM (.010)</b>
48	FS707023		1	GEAR, FORWARD (27 TOOTH)
49	F2310		A/R	SPACER (.050)
-	<b>F2290</b>		<b>A/R</b>	<b>SPACER (.060)</b>
-	<b>F2291</b>		<b>A/R</b>	<b>SPACER (.070)</b>
-	<b>F2292</b>		<b>A/R</b>	<b>SPACER (.080)</b>
50	52-816433		1	CLUTCH
51	F2419		1	SPRING PIN
52	F84871-1		1	SHIFT PIN
53	F90619-2		1	YOKE
54	819284A1		1	SHAFT, PROPELLER
55	F438930		3	RETAINER, SNOUT
56	F523116-4		1	SNOUT, EXHAUST
57	F1856		1	WASHER
58	F1994		1	SCREW, 5/16 - 18 X 1
59	816435		1	GEAR, REVERSE
60	F2423		1	THRUST RING
61	F707278		1	SEAL
62	FA707239		1	SPOOL PROPELLER SHAFT W/BEARING AND SEALS
63	F523901		1	THRUST RING
64	F697555		1	SEAL
65	F697118		1	SEAL
69	90-819232		2	ANODE, ANTI-CORROSION
72	F698099-1		1	SPACER, PROPELLER
74	F697299		1	WASHER, PROP SPLINE
75	F697140		1	WASHER, TAB
76	F7000		1	STOP NUT, 3/4 - 16
82	FK1203-1		1	SEAL KIT
83	FK1204-1		1	WATER PUMP KIT
84	F694056		1	CUP, BEARING
85	F694058		1	BEARING
86	F694188		1	NUT, PINION NUT
87	F707902		1	RING, THRUST
88	F523143		1	BEARING
89	F8586		1	KEY
90	F523058		1	BEARING
91	F707286		1	WASHER, TAB
92	F707807		1	RETAINER, THREADED
93	F698735-1		1	SEAL, EXHAUST
96	F707885		1	RETAINER, PITOT PLUG
97	819176		1	RETAINER, SHIFT ROD SEAL
98	1600-819231A7		1	GEAR HOUSING
-	<b>1600-819199A2</b>		<b>1</b>	<b>GEAR HOUSING COMPLETE</b>

CONTINUED ON NEXT PAGE ➡

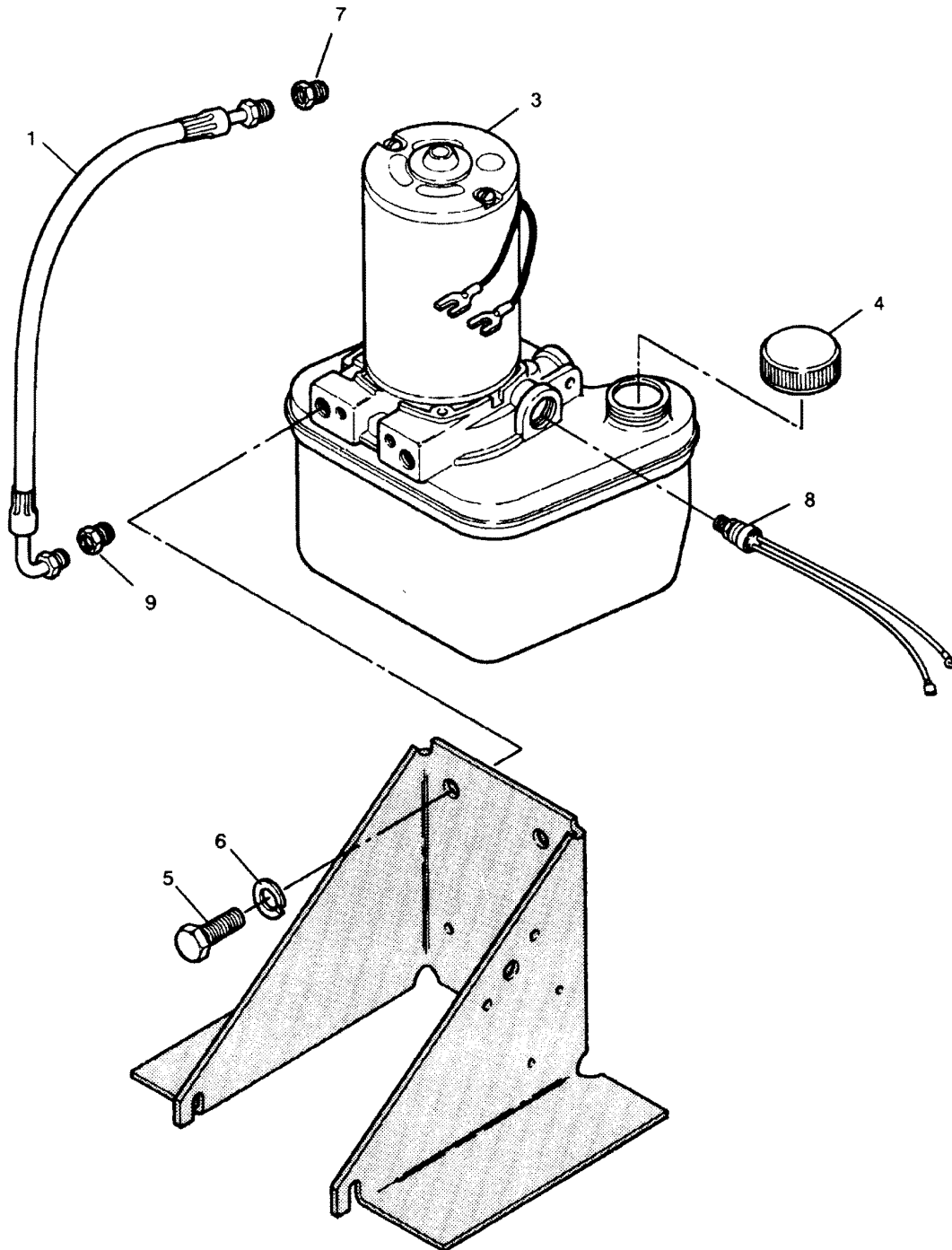
# TRIM PUMP BRACKET AND RELAYS



## TRIM PUMP BRACKET AND RELAYS

REF. NO.	PART NO.	SYM.	QTY.	DESCRIPTION
1	F695371-2		1	BRACKET, TRIM COMPONENTS
2	F1303		4	SCREW, 8 - 32 X 3/4
3	F1999		3	SCREW, 1/4 - 20 X 7/8
4	F8158		1	LOCKWASHER
5	F1341		4	NUT, 1/4 - 20
6	F1975		2	LOCKWASHER
7	F722497		1	BLOCK, TERMINAL
8	F1733		2	SCREW, 10 - 24 X 5/8
9	F722744		1	HARNESS, BOAT INTERFACE
10	F698917		2	RELAY, POWER TRIM
11	F1760		2	SCREW, 10 - 24 X 5/8
12	F722293		2	SOCKET
13	F722683		2	WIRE ASSY - BLACK
14	F722583		1	WIRE ASSY - RED W/PURPLE STRIPE
15	F722664		1	WIRE, STARTER SOLENOID GROUND
16	F695374		2	DECAL, CIRCUIT BREAKER
17	F698460		1	BREAKER, CIRCUIT, 25 AMP
18	F695460		1	BREAKER, CIRCUIT, 35 AMP
19	F1734		2	SCREW W/LOCKWASHER, 1/4 - 20 X 1/2
20	F289446-1		3	CLAMP, CABLE
21	F1280		4	SCREW, 8 - 32 X 1/4
22	F460917-1		1	RELAY, STARTER
23	F1515		2	NUT, 5/16 - 18
24	F1513		2	NUT, 10 - 32
25	F1975		2	WASHER
26	F722833		1	CABLE, BATTERY POSITIVE (RED)
27	F722841		1	CABLE, BATTERY NEGATIVE (BLACK)
28	F722635		1	WIRE ASSY, RED W/BOOTS
29	F664384		2	CLIP, COVER
30	F694672		1	COVER, TERMINAL BLOCK
31	F691025		1	PAD, INSULATING
32	F748624		1	SWITCH, LOW OIL
33	F1760		1	SCREW, 10 - 24 X 3/8
34	F748573		1	CLAMP

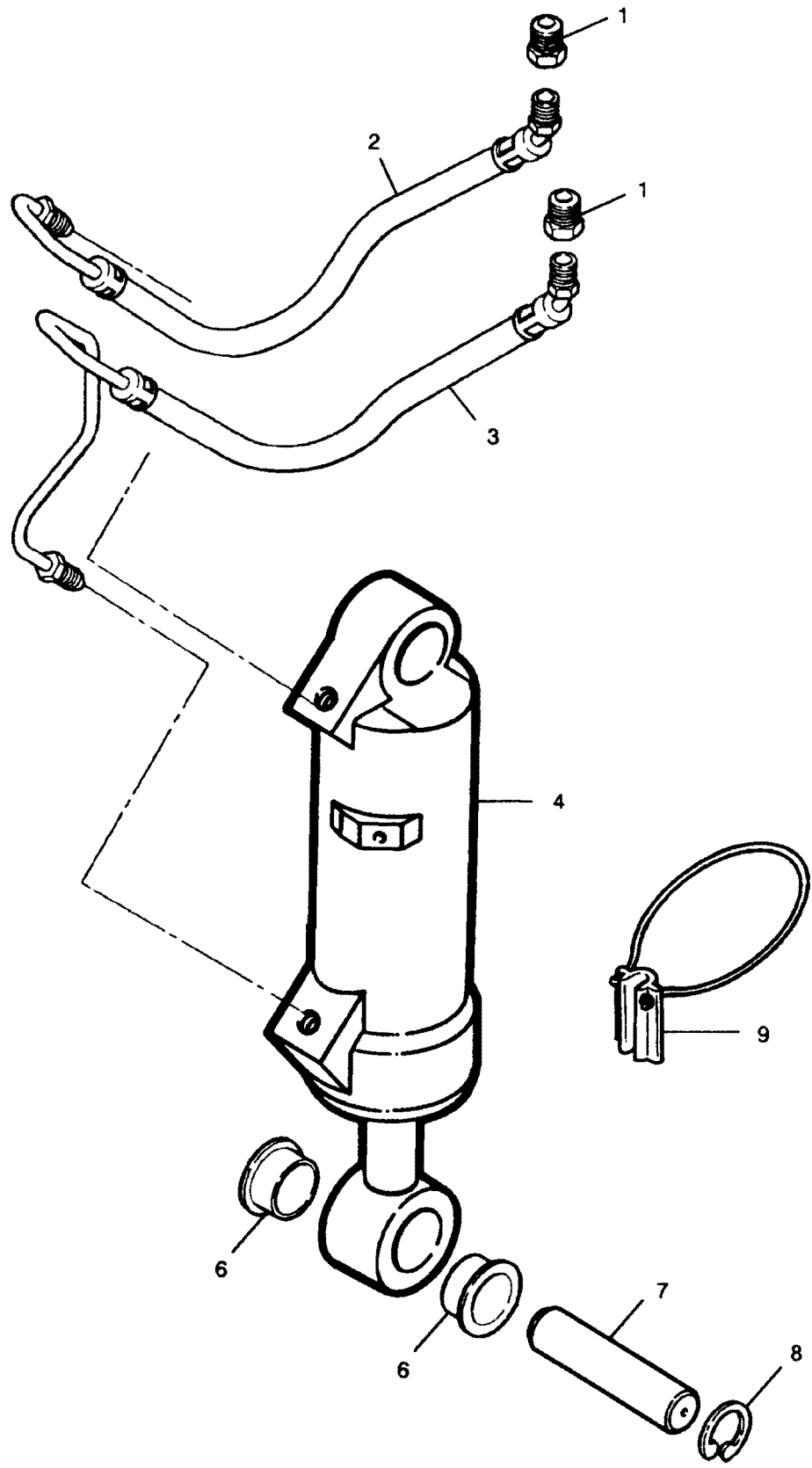
# TRIM PUMP AND LINES



# TRIM PUMP AND LINES

REF. NO.	PART NO.	SYM.	QTY.	DESCRIPTION
1	F698753-1		2	LINE, HYDRAULIC
3	F722541		1	PUMP, HYDRAULIC W/RESERVOIR
4	F17637		1	CAP
5	F1871		2	SCREW, 3/8 - 16 X 3/4
6	F2014		2	WASHER
7	22-819052		2	FITTING, HYDRAULIC
8	F695602		1	SWITCH, PRESSURE
9	F698858		2	FITTING, HYDRAULIC

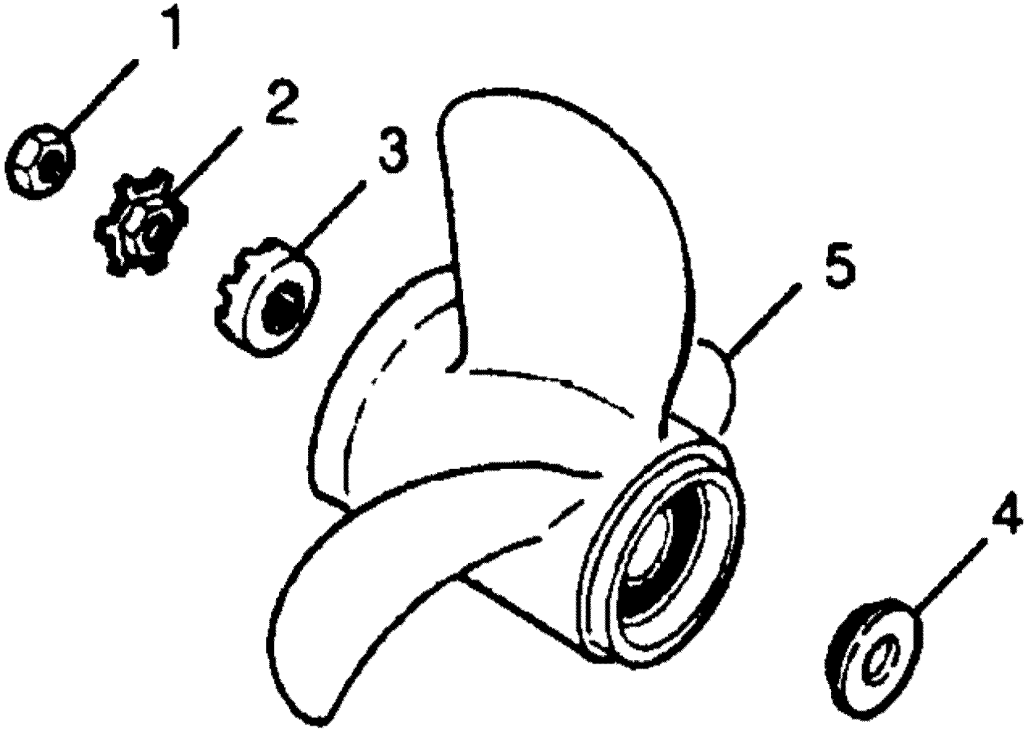
# TRIM CYLINDER



# TRIM CYLINDER

REF. NO.	PART NO.	SYM.	QTY.	DESCRIPTION
1	22-819052		4	FITTING, HYDRAULIC
2	F698259		1	HOSE, HYDRAULIC (UP)
3	F698088		1	HOSE, HYDRAULIC (DOWN)
4	FA722381		1	CYLINDER, HYDRAULIC W/BEARINGS
6	F695818		4	BEARING
7	F695037		2	PIN, TRIM CYLINDER
8	F695930		2	RING, RETAINING
9	F695451-1		1	SPACER, TILT LOCK

# FLARED HUB PROPS





# FLARED HUB PROPS

REF. NO.	PART NO.	SYM.	QTY.	DESCRIPTION
1	F7000		1	STOP NUT, 3/4 - 16
2	F697140		1	WASHER, TAB
3	F697299		1	WASHER, PROP SPLINE
4	F698099-1		0	SPACER, PROBELLER

# TRANSOM SHIELD

REF. NO.	PART NO.	SYM.	QTY.	DESCRIPTION
1	F695990		1	SHIELD, TRANSOM
2	F694366-1		1	MEDALLION, "FORCE"
3	F2241		8	SCREW, 10 - 16 X 3/4

## SPECIAL TOOLS - TUNE-UP

REF. NO.	PART NO.	SYM.	QTY.	DESCRIPTION
-	FT8978-1		0	TIMING LIGHT FOR ADJUSTING IGNITION TIMING.
-	FT8948-1		0	PULLER TO REMOVE FLYWHEEL.

## SPECIAL TOOLS - POWER HEAD

REF. NO.	PART NO.	SYM.	QTY.	DESCRIPTION
-	FT2991		0	CARBON BRUSH TO REMOVE CARBON DEPOSITS FROM POWER HEAD.
-	FT8914		0	SEAL REMOVER TO REMOVE UPPER CRANKSHAFT BEARING CAGE SEAL.
-	FT8903		0	SEAL INSTALLER TO INSTALL UPPER CRANKSHAFT BEARING CAGE SEAL.
-	FT8907		0	DRIVER HANDLE USED WITH T8903.
-	FT8925		0	SEAL INSTALLER TO INSTALL LOWER CRANKSHAFT SEAL.
-	FT2953		0	SOCKET TO TORQUE CONNECTING ROD SCREWS.
-	FT2990-1		0	PISTON PIN TOOL TO REMOVE AND INSTALL PISTON PINS.
-	FT2996		0	RING COMPRESSOR TO INSTAL PISTONS IN CYLINDER.
-	FT8926		0	RING EXPANDER TO INSTALL PISTON RINGS.
-	FT8933		0	LIFTING HOOK TO LIFT ENGINE.
-	FT8900		0	HOSE CLAMP PLIERS TO REMOVE FUEL LINE CLAMPS.

## SPECIAL TOOLS - LOWER UNIT

REF. NO.	PART NO.	SYM.	QTY.	DESCRIPTION
-	FT8957		0	SEAL INSTALLER TO INSTALL SHIFT ROD SEAL.
-	FT8919		0	SPRING PIN PUNCH TO REMOVE CLUTCH SPRING PIN
-	FT11275		0	SPANNER WRENCH TO REMOVE & INSTALL SPOOL RETAINER.
-	FT16813		0	BEARING CUP REMOVER TO REMOVE FORWARD GEAR BEARING CUP.
-	FT16814		0	BEARING CUP INSTALLER TO INSTALL FORWARD GEAR BEARING CUP.
-	FT16433		0	BEARING REMOVER TO REMOVE LOWER DRIVESHAFT BEARING.
-	FT16496		0	BEARING INSTALLER TO INSTALL LOWER DRIVESHAFT BEARING.
-	FT15691		0	SPANNER WRENCH TO REMOVE & INSTALL UPPER DRIVESHAFT RETAINER.
-	FT16536		0	HOLDING TOOL TO HOLD DRIVESHAFT WHILE TORQUING PINION GEAR.

## SPECIAL TOOLS - TEST EQUIPMENT

REF. NO.	PART NO.	SYM.	QTY.	DESCRIPTION
-	FT2951		0	CIRCUIT TRACER TO TROUBLE SHOOT ELECTRICAL SYSTEM.
-	FT8950		0	LEAKAGE TESTER TO TEST LOWER UNIT FOR LEAKAGE.
-	FT11295		0	SPARK TESTER TO TEST OUTPUT OF IGNITION SYSTEM.
-	FT2938-1		0	CONTINUITY TESTER TO TEST CIRCUITS FOR CONTINUITY.
-	FTA11259		0	MULIIMETER TO TEST ELECTRICAL COMPONENTS.

## SPECIAL TOOLS - LUBRICANTS AND SEALANTS

REF. NO.	PART NO.	SYM.	QTY.	DESCRIPTION
-	FT2961		0	LUBRICANT - RYKON GREASE #2EP
-	FT2987-1		0	LUBRICANT - ANTI-SEIZE
-	FT8969		0	LUBRICANT - 7OZ. LPS-1
-	FT8955		0	SEALANT - 5OZ. EC-750 INDUSTRIAL SEALANT
-	FT8983		0	SEALANT - 3 OZ. RTV SEALANT (FORM IN PLACE GASKETS)
-	FT8936-1		0	SEALANT - 2CC LOCTITE RETAINING COMPOUND #75
-	FT2962-2		0	SEALANT - LOCTITE H, NON-HARDENING GRADE
-	FT2963-2		0	SEALANT - 2OZ. LOCTITE 271
-	FT8935		0	SEALANT PRIMER LOC QUIC T

# PARTS INDEX

Part Number	Description	Pg.	Ref. No.	Part Number	Description	Pg.	Ref. No.
748100	BEARING	11	6	F1107	SCREW, 1/4 - 20 X 3/4	21	28
748243	HOSE	11	2	F1203	SCREW, 1/4 - 20 X 7/8	21	22
748342	SEAL	11	13	F1236	SCREW, 1/4 - 20 X 1/2	7	13
748527	BEARING	11	9	F1238	SCREW, 1/4 - 20 X 3/4	19	22
815279T2	RECTIFIER (18 AMP)	3	E6	F1253	SCREW, 3/8 - 16 X 2	21	6
816435	GEAR, REVERSE	39	59	F1280	SCREW, 8 - 32 X 1/4	41	21
817029A4	TRIGGER	3	E3	F1303	SCREW, 8 - 32 X 3/4	41	2
817269	PLATE, IGNITION	3	E11	F1341	NUT, 1/4 - 20	19	19
817747--1	BALL JOINT	11	10	F1341	NUT, 1/4 - 20	41	5
817747--1	JOINT, BALL	19	13	F1346	NUT, 3/8 - 16	7	26
817790A1	COVER, TRANSFER PORT	21	14	F1473	NUT, 10 - 24	13	5
817799A1	ADAPTER, UPPER CARBURETOR W/FITTING & STUDS	7	35	F1502	SCREW, 1/4 - 20 X 5/8	13	3
817870A1	COVER, FUEL PUMP W/PLUG	13	2	F1504	SCREW, 1/4 - 20 X 1-1/4	13	18
817877A3	COVER, CYLINDER DRAIN	9	10	F1504	SCREW, 1/4 - 20 X 1-1/4	21	10
817879A1	ADAPTER, LOWER CARBURETOR W/FITTING & STUDS	7	34	F1504	SCREW, THROTTLE STOP, 1/4 - 20 X 1-1/4	19	18
817919A1	FUEL PUMP COMPLETE	13	-	F1513	NUT, 10 - 32	19	17
817922A1	U-JOINT HOUSING W/U- JOINT	33	-	F1513	NUT, 10 - 32	41	24
817980A1	HOUSING, U-JOINT	33	7	F1515	NUT, 5/16 - 18	41	23
818074A1	COVER, GEAR HOUSING W/SEAL	37	24	F15158	SCREW, BRUSH HOLDER	5	G15
818108A1	PLATE, REED (COMPLETE)	9	5	F15159	INSULATOR	5	G16
819011C	ANODE	33	28	F15160	WASHER, INSULATING	5	G20
819045	PLATE, TRANSOM	31	16	F15161	WASHER	5	G17
819111	GUARD, IGNITION	3	E40	F15162	NUT	5	G19
819176	RETAINER, SHIFT ROD SEAL	39	97	F15174	DRIVE KIT	5	G1
819222A1	PINION	5	G2	F15176	CAP (DRIVE END)	5	G3
819284A1	SHAFT, PROPELLER	39	54	F15177	ARMATURE	5	G4
819438	PUMP, VARIABLE RATIO OIL	11	14	F15178	THRU BOLT PACKAGE	5	G5
819484A1	TOWERSHAFT	19	7	F15189	CAP, COMMUTATOR END	5	G6
819496	PLATE, SPACER W/SLEEVE	27	2	F15190	BRUSH KIT	5	G7
819711	GASKET, EXHAUST PORT PLATE	21	31	F1532	SCREW, 1/4 - 20 X 1	7	19
819845	LINK, OIL PUMP	11	12	F1544	SCREW, 3/8 - 16 X 2-1/4	27	3
87554	COVER, COIL	3	E26	F1641	LOCKNUT	5	G8
F1005	SCREW, 3/8 - 16 X 1-1/2	27	6	F1657	SCREW, 5/16 - 18 X 1-3/4	33	29
F1009	SCREW, 3/8 - 16 X 2-3/4	21	3	F1693	NUT, TIE BAR RETAINER	7	28
F1014	COTTER PIN	7	4	F1699	SCREW, 1/4 - 20 X 1-1/8	21	9
F1014	COTTER PIN	15	11	F1733	SCREW, 10 - 24 X 5/8	41	8
F10265	NEEDLE, INLET	15	19	F1734	SCREW W/LOCKWASHER, 1/4 - 20 X 1/2	41	19
F10268	SCREW, IDLE MIXTURE	15	29	F1739	WASHER	25	3
F10271	MAIN FUEL JET (.096) 0 - 1500 FT. (TOP CARB)	15	40	F1760	SCREW, 10 - 24 X 3/8	41	33
F10273	JET (.047)	17	54	F1760	SCREW, 10 - 24 X 5/8	41	11
F10274	CONNECTOR	17	52	F17637	CAP	43	4
F10275	SCREW, SEALING	17	53	F177330	VALVE, FUEL PUMP	13	12
F10284	SCREW	15	44	F178168-1	GASKET, CARBURETOR ADAPTER	9	8
F10285	SPRING, CHOKE RETURN	15	18	F17881	FITTING, GREASE	33	32
F10328	SCREW, CHOKE AND THROTTLE SHUTTER	15	31	F1813	SCREW, 10-24 X 1-1/8	11	16
F1059	SCREW, 6 - 32 X 1/4	7	8	F1829	SCREW, 10 - 24 X 7/8	19	20
F1059	SCREW, 6 - 32 X 1/4	15	15	F1831	SCREW, 1/4 - 20 X 5/8	9	9
F1064	SCREW, 8 - 32 X 3/8	7	29	F184033-1	SWIVEL, CHOKE (TOP CARBURETOR)	7	-
F1080	SCREW, 10-24 X 3/4	11	17	F184033-1	SWIVEL, TOP CARBURETOR	15	14
				F1845	TY-RAP	11	4
				F184579	O-RING SEAL	15	13
				F184579	SEAL	7	6
				F1854	SCREW, 1/4 - 20 X 5/8	5	G12
				F1856	WASHER	19	27
				F1856	WASHER	39	57
				F185764	RING, RETAINING	19	26



# PARTS INDEX

Part Number	Description	Pg.	Ref. No.	Part Number	Description	Pg.	Ref. No.
F1860	SCREW, 6 - 32 X 1/4	13	11	F2A695141	UNIVERSAL JOINT HOUSING	33	24
F1864	SCREW, 1/4 - 20 X 3/4	21	5	F316579	SEAL, CRANKCASE	23	19
F1871	SCREW, 3/8 - 16 X 3/4	43	5	F333316	SHAFT, THROTTLE ROLLER	15	45
F1872	SCREW, 3/8 - 16 X 1-3/4	21	7	F335217-1	BEARING, PISTON PIN (26 PER SET)	23	10
F1872	SCREW, 3/8 - 16 X 1-3/4	31	20	F338618-1	SEAL, SHIFT ROD	37	23
F1873	SCREW, 3/8 - 16 X 3	21	8	F366215	SPACER, PISTON PIN	23	9
F1874	SCREW, 3/8 - 16 X 3-1/8	21	2	F372958	BRACKET, CHOKE SOLENOID	7	10
F1883	SCREW, 5/16 - 18 X 2-3/8	21	21	F391926-1	PLUNGER, CHOKE SOLENOID	7	2
F1883	SCREW, 5/16 - 18 X 2-3/8	29	4	F40223	GASKET, TRANSFER COVER	13	1
F1907	WASHER	29	5	F40223	GASKET, TRANSFER PORT COVER	21	15
F1915	SCREW, 1/4 - 20 X 7/8	7	11	F404314	ELBOW, RECIRCULATING	9	15
F1922	SCREW, 1/4 - 20 X 5/8	5	G10	F404314	ELBOW, RECIRCULATING	13	23
F1950	SCREW, 10 - 24 X 5/8	31	1	F405457	PIVOT	19	25
F1968	NUT, 3/4 - 16	23	2	F405457	PIVOT SCREW	33	14
F1968	STOP NUT, 3/4 - 16	3	E37	F406406	GASKET, DEFLECTOR PLATE	9	6
F1975	LOCKWASHER	13	15	F40689-1	BEARING	19	10
F1975	LOCKWASHER	41	6	F429811	SCREEN	9	11
F1975	WASHER	41	25	F438129	SEAL, DRIVESHAFT SPLINE	33	33
F1987	WASHER	21	20	F438500	BOWL, SEDIMENT	13	22
F1994	SCREW, 5/16 - 18 X 1	39	58	F438617	GASKET, FUEL PUMP BOWL	13	20
F1997	STOP NUT, 8 - 32	15	47	F438653	SCREEN, FUEL PUMP	13	21
F1999	SCREW, 1/4 - 20 X 7/8	41	3	F438747	DIAPHRAGM, FUEL PUMP	13	8
F1999	SCREW, 1/4 - 20 X 7/8 S.S.	37	25	F438760	GASKET, FUEL PUMP	13	7
F2012	WASHER	37	7	F438801	FITTING	13	19
F2014	WASHER	31	19	F438930	RETAINER, SNOUT	39	55
F2014	WASHER	33	2	F440209	STUD	7	32
F2014	WASHER	43	6	F440254	HOSE (BALANCE TUBE)	7	36
F2015	JAM NUT, 1/4 - 28	19	2	F440254	HOSE, IMPULSE	9	17
F2033	GROOVE PIN	7	9	F440906	GASKET, CARBURETOR	7	33
F2042	WASHER	31	2	F440925	ROD, CHOKE SOLENOID	7	3
F2067	CAP	23	1	F460917-1	RELAY, STARTER	41	22
F2081	SCREW, 1/4 - 20 X 3/4	23	4	F476066-1	COVER	21	27
F2217	SCREW W/LOCKWASHER, 10 - 24 X 3/8	33	15	F476067	GASKET	21	26
F2217	SCREW, 10 - 24 X 3/8	19	24	F476529-4	GASKET, CYLINDER HEAD	21	16
F2217	SCREW, 10 - 24 X 3/8	33	31	F491689-1	BEARING, UPPER TOWERSHAFT	19	12
F2224	SCREW, 1/2 - 13 X 3-1/4	29	22	F498618	SEAL	37	42
F2224	SCREW, 1/2 - 13 X 3-1/4	31	9	F498891	PIN	37	43
F2234	SCREW, #10 X 1-1/8	37	17	F499026	SWIVEL	19	6
F2240	SCREW, 10 - 24 X 7/8	31	12	F499035	END, CONTROL ROD (TO TOWERSHAFT)	19	3
F2241	SCREW, 10 - 16 X 3/4	48	3	F499036-1	END CONTROL ROD (TO TRIGGER)	19	5
F2258	SCREW, 1/4 - 20 X 3	21	34	F50109	PLUG	37	40
F2284	SCREW, 3/8 - 16 X 2-1/4	27	8	F506772-1	CLAMP	29	11
F2290	SPACER (.060)	39	-	F523058	BEARING	39	90
F2291	SPACER (.070)	39	-	F523116-4	SNOUT, EXHAUST	39	56
F2292	SPACER (.080)	39	-	F523143	BEARING	39	88
F2293	SCREW, 6 - 32 X 5/16	9	1	F523146-1	SEAL, CRANKSHAFT	23	3
F2309	SCREW, 3/8 - 16 X 3-1/4	37	44	F523274	FITTING, GREASE	27	12
F2310	SPACER (.050)	39	49	F523300-1	SPRING	29	25
F2317	SCREW, 1/4 - 20 X 7/8 S.S.	37	21	F523451	SPACER, REED STOP	9	3
F2419	SPRING PIN	39	51	F523705-1	ROD, SHIFT LOWER	37	35
F2421	SCREW, 5/16 X 3/8	25	2	F523901	THRUST RING	39	63
F2423	THRUST RING	39	60				
F2426	SCREW, 1/4 - 20 X 4	21	45				
F2438	SCREW, 10 - 24 X 3/4	13	16				
F2438	SCREW, 10 - 24 X 3/4	13	24				
F2442	SPRING WASHER	3	E7				
F269319	BEARING	19	15				
F284659-2	BEARING, UPPER MAIN	23	15				
F289446-1	CLAMP, CABLE	41	20				

# PARTS INDEX

Part Number	Description	Pg.	Ref. No.	Part Number	Description	Pg.	Ref. No.
F530160	REED (5 PETAL)	9	4	F695274	FITTING, GREASE	29	17
F616675	BRACKET, STARTER MOUNTING - LOWER	5	G11	F695275	FITTING (PIPE PLUG)	35	1
F616955-1	STARTER, COMPLETE	5	G14	F695278	SEAL	29	13
F640273-1	STUD, THROTTLE CONNECTOR	19	11	F695314	ELBOW, IMPULSE HOSE	9	16
F658803	GASKET, SPACER PLATE	13	4	F695342	SEAL, WATER	31	4
F658836	SPACER	13	6	F695346-2	MOUNT	29	18
F660497	BLOCK, TERMINAL (4 POSITION)	3	E12	F695371-2	BRACKET, TRIM COMPONENTS	41	1
F664068	THERMOSTAT (130 DEGREE)	21	24	F695374	DECAL, CIRCUIT BREAKER	41	16
F664268	SPRING	21	25	F695420	RING, RETAINING	29	15
F664384	CLIP, COVER	41	29	F695422	PIVOT, BALL	31	18
F664914	SEAL	21	23	F695449-2	THERMOSWITCH	21	30
F665995	COVER, CYLINDER HEAD	21	18	F695451-1	SPACER, TILT LOCK	45	9
F684908-3	WIRE, STARTER	5	G9	F695460	BREAKER, CIRCUIT, 35 AMP	41	18
F686096	RETAINER, BOOSTER SPRING	13	9	F695527	BEARING	33	23
F686300	SPRING, PUMP BOOST	13	10	F695602	SWITCH, PRESSURE	43	8
F686472	HOSE, PUDDLE DRAIN	9	12	F695610	BEARING	33	4
F691025	PAD, INSULATING	41	31	F695618-1	SEAL	33	22
F691372	PIN	21	44	F695620	PIN, SHIFT ARM	33	16
F694017	PIN, PISTON	23	7	F695621	LEVER, SHIFT	33	12
F694031	GASKET	37	14	F695628-1	DRIVESHAFT, UPPER	29	1
F694056	CUP, BEARING	39	84	F695632	"U" -BOLT	33	6
F694057	BEARING	37	37	F695649	CLAMP	35	2
F694058	BEARING	39	85	F695683	CABLE, GROUND	35	9
F694060-2	BODY, WATER PUMP	37	10	F695685-1	CONNECTOR, SHIFT ROD	37	20
F694065	IMPELLER	37	12	F695692	TUBE, STEERING	27	9
F694096	RETAINER	23	23	F695697	STOP NUT, 7/16 - 20	27	14
F694186	WASHER	37	38	F695735	SEAL, LOWER U-JOINT	33	37
F694188	NUT, PINION NUT	39	86	F695741	RING, SEAL	31	3
F694210	STUD	37	8	F695744-1	CLAMP, HOSE	35	5
F694226	PLUG, PITOT	37	39	F695754	HOSE, FUEL LINE	7	23
F694305	SEAL	37	28	F695764	RING, RETAINING	33	25
F694307	SEAL	37	27	F695771	CLAMP	33	26
F694366-1	MEDALLION, "FORCE"	48	2	F695771	CLAMP, HOSE	35	10
F694498	KEY	37	13	F695783	SEAL	29	8
F694564-1	INSERT	37	11	F695802	BUSHING	25	4
F694672	COVER, TERMINAL BLOCK	41	30	F695807	RING, RETAINING	33	5
F694736	SEAL, WATER PUMP OUTLET	33	10	F695818	BEARING	45	6
F694740	VALVE, CHECK	9	18	F695870	CLAMP	31	17
F694830	GASKET	37	16	F695871	SHAFT, SHIFT ROD	37	22
F694961-1	RETAINER	37	30	F695872	BRACKET, THROTTLE CABLE	19	21
F695037	PIN, TRIM CYLINDER	45	7	F695910	BEARING	29	16
F695042	CABLE, GROUND	29	27	F695920	CLAMP, WATER SEAL	31	5
F695043	SLEEVE, ADAPTER	27	1	F695930	RING, RETAINING	45	8
F695055	CAP	33	21	F695946	COVER	31	11
F695129	BELLOWS, U-JOINT	29	12	F695952	BRACKET	25	6
F695130-4	BELLOWS, EXHAUST	35	7	F695953	BRACKET	25	8
F695175	WASHER	33	3	F695965	MOUNT, ISOLATER	29	19
F695189	BUSHING	33	11	F695965	MOUNT, ISOLATOR	31	6
F695208	RING, RETAINING	29	10	F695989	SEAL, O-RING	31	10
F695210	STUD	25	10	F695990	SHIELD, TRANSOM	48	1
F695254	HOSE	35	12	F697118	SEAL	39	65
F695259-2	HOSE	33	27	F697140	WASHER, TAB	39	75
F695262	GUARD	25	1	F697140	WASHER, TAB	47	2
F695273	STUD, STEERING CABLE	29	23	F697299	WASHER, PROP SPLINE	39	74
				F697299	WASHER, PROP SPLINE	47	3
				F697555	SEAL	39	64
				F698061-3	CARBURETOR COMPLETE, TOP (TC108D)	7	16

# PARTS INDEX

Part Number	Description	Pg.	Ref. No.	Part Number	Description	Pg.	Ref. No.
F698061-3	CARBURETOR COMPLETE, TOP (TC108D)	15	27	F722261	HOSE, EXHAUST	35	3
F698088	HOSE, HYDRAULIC (DOWN)	45	3	F722293	SOCKET	41	12
F698099-1	SPACER, PROPELLER	47	4	F722386	DECAL, FLYWHEEL COVER	25	12
F698099-1	SPACER, PROPELLER	39	72	F722440	PIN, PIVOT	33	9
F698192	CAM, THROTTLE	19	16	F722497	BLOCK, TERMINAL	41	7
F698259	HOSE, HYDRAULIC (UP)	45	2	F722541	PUMP, HYDRAULIC W/RESERVOIR	43	3
F698273	STUD	27	16	F722582	ARM, STEERING	29	6
F698281	SPACER	27	15	F722583	WIRE ASSY - RED W/PURPLE STRIPE	41	14
F698360	HOSE, FUEL BOWL VENT	7	24	F722635	WIRE ASSY, RED W/BOOTS	41	28
F698404	PLATE, DEFLECTOR	7	39	F722664	WIRE, STARTER SOLENOID GROUND	41	15
F698460	BREAKER, CIRCUIT, 25 AMP	41	17	F722683	WIRE ASSY - BLACK	41	13
F698735-1	SEAL, EXHAUST	39	93	F722744	HARNES, BOAT INTERFACE	41	9
F698753-1	LINE, HYDRAULIC	43	1	F722774	CLAMP, HOSE	35	15
F698758	HOSE, CARBURETOR COVER DRAIN	7	22	F722816	BEARING, STEERING	29	14
F698772	CLAMP	7	15	F722833	CABLE, BATTERY POSITIVE (RED)	41	26
F698772	CLAMP	11	1	F722841	CABLE, BATTERY NEGATIVE (BLACK)	41	27
F698826	COVER, CARBURETOR	7	18	F722932	SPACER	3	E10
F698836	GASKET	7	38	F722932	SPACER	25	15
F698858	FITTING, HYDRAULIC	43	9	F723168-1	MANIFOLD, EXHAUST	21	33
F698902	SPACER	29	20	F723259	HOSE, EXHAUST MANIFOLD TO SPACER PLATE	35	11
F698902	SPACER	31	7	F723786	SPACER	25	14
F698917	RELAY, POWER TRIM	41	10	F74305	SEAL	37	29
F698942	BUMPER	7	21	F743858	FITTING, CHECK	9	19
F698951	BRACKET	25	13	F745801	FITTING, CYLINDER DRAIN	9	13
F699061-3	CARBURETOR COMPLETE, BOTTOM (TC109D)	7	-	F746210	STUD, 5/16 - 18 X 2-1/4	3	E36
F699061-3	CARBURETOR COMPLETE, BOTTOM (TC109D)	15	-	F747088	HOSE, SPEEDOMETER	33	35
F699562	PLATE	37	15	F747504	GROMMET	33	34
F7000	STOP NUT, 3/4 - 16	39	76	F748316	SHAFT	11	8
F7000	STOP NUT, 3/4 - 16	47	1	F748573	CLAMP	41	34
F7004	NUT, 3/8 - 16	29	26	F748624	SWITCH, LOW OIL	41	32
F7006	LOCKNUT, 5/16 - 18	3	E19	F748691	GEAR, WORM	11	7
F7006	NUT, 5/16 - 18	25	11	F748740	VALVE, CHECK	11	3
F7008	NUT, 1/4 - 20	19	14	F748801	FITTING	33	36
F7008	NUT, 1/4 - 20	25	7	F8026	SPACER	21	46
F7009	LOCKNUT, 10 - 24	19	1	F8028	WASHER	25	5
F7025	NUT, 3/8 - 16	33	1	F8038	WASHER	29	24
F7037	NUT, 7/8 - 14	27	10	F8038	WASHER	37	26
F7061	NUT, 1/4 - 28	37	6	F8075	WASHER	27	4
F707278	SEAL	39	61	F8075	WASHER	27	7
F707286	WASHER, TAB	39	91	F8080	WASHER	7	5
F707305	O-RING	37	31	F8083	LOCKWASHER	5	G18
F707807	RETAINER, THREADED	39	92	F8083	LOCKWASHER	13	17
F707885	RETAINER, PITOT PLUG	39	96	F8083	WASHER	5	G13
F707902	RING, THRUST	39	87	F8088	PLAIN WASHER	15	12
F717096	RING, RETAINING	21	29	F8094	WASHER	3	E20
F719372	PIN	21	42	F8104	WASHER	21	4
F719418	TUBE, WATER JACKET	21	41	F8137	WASHER	25	9
F719902	SPACER, THERMOSTAT SEAL	21	43	F8145	WASHER	29	21
F719943	TUBE, WATER JACKET (TOP)	21	40	F8145	WASKER	31	8
F720404	PLATE, DEFLECTOR	9	7	F8151	WASHER	27	13
F720518	HEAD	21	17	F8158	LOCKWASHER	41	4
F722109-1	PLUG	21	35	F8186	WASHER	37	41
F722167	ELBOW, INTERMEDIATE	35	4				
F722175	WASHER	29	28				

# PARTS INDEX

Part Number	Description	Pg.	Ref. No.	Part Number	Description	Pg.	Ref. No.
F84792	GASKET, CENTER VALVE . . .	13	13	FK85228-1	BEARING CAGE W/ROLLERS	23	13
F84871-1	SHIFT PIN . . . . .	39	52	FO10588	PLUG . . . . .	15	48
F85033	SWIVEL, CHOKE (BOTTOM CARBURETOR) . . . . .	7	7	FO11103	SPRING, IDLE MIXTURE . . .	15	28
F85033	SWIVEL, CHOKE ROD, BOTTOM CARB. (NOT SHOWN) . . . . .	15	-	FO13193	MAIN FUEL JET (.088) 4500 - 6000 FT. (BOTTOM CARB)	15	-
F85161-1	STOP, REED . . . . .	9	2	FO13193	MAIN FUEL JET (.088) 6000 - 10000 FT. (TOP CARB) . . .	15	-
F85314-1	FITTING, FUEL (BOTTOM CARBURETOR) . . . . .	7	25	FO13554	FLOAT . . . . .	15	25
F85317-3	CLAMP, CHOKE SOLENOID	7	12	FO13944	PIN, FLOAT LEVER . . . . .	15	24
F8540	PIN . . . . .	19	9	FO13949	MAIN FUEL JET (.086) 6000 - 10000 FT. (BOTTOM CARB) . . . . .	15	-
F85410	SNAP RING . . . . .	23	17	FO14190	MAIN FUEL JET (.092) 1500 - 3000 FT. (BOTTOM CARB)	15	-
F85445-1	ROD, SPARK CONTROL . . .	19	4	FO14190	MAIN FUEL JET (.092) 3000 - 4500 FT. (TOP CARB) . . .	15	-
F85498-1	KEY, FLYWHEEL . . . . .	23	14	FO14191	MAIN FUEL JET (.094) 0 - 1500 FT. (BOTTOM CARB)	15	-
F85509-1	LINK, CHOKE . . . . .	7	1	FO14191	MAIN FUEL JET (.094) 1500 - 3000 FT. (TOP CARB) . . .	15	-
F85571	BEARING . . . . .	23	20	FO15406	MAIN FUEL JET (.090) 3000 - 4500 FT. (BOTTOM CARB)	15	-
F8563	DOWEL PIN . . . . .	21	12	FO15406	MAIN FUEL JET (.090) 4500 - 6000 FT. (TOP CARB) . . .	15	-
F85634-2	SCREW, CONNECTING ROD	23	12	FO15623	GASKET, FUEL BOWL . . . . .	15	26
F8580	PIN, LOCATING . . . . .	33	8	FO16128	PLUG . . . . .	15	49
F8581	COTTER PIN . . . . .	33	17	FO16130	BOWL, FUEL . . . . .	15	22
F8585	DOWEL PIN . . . . .	27	5	FO16132	SCREW, FUEL BOWL RETAINING . . . . .	15	20
F8585	DOWEL PIN . . . . .	29	3	FO16133	MAIN NOZZLE . . . . .	15	23
F8586	KEY . . . . .	39	89	FO16142	SHUTTER, THROTTLE . . . . .	17	50
F85909-1	PIN, BEARING LOCATING (PRESSED INTO BLOCK)	23	22	FO16143	SPRING, THROTTLE RETURN . . . . .	15	41
F90619-2	YOKE . . . . .	39	53	FO16301	SHAFT, CHOKE . . . . .	15	17
F90807	RING, RETAINING . . . . .	7	31	FO16620	E-RING . . . . .	15	10
F92759	ROLLER, THROTTLE . . . . .	15	46	FO16993	TUBE, BY-PASS . . . . .	17	51
F9277	SHIM (.010) . . . . .	37	-	FO17719	SHUTTER, CHOKE . . . . .	15	30
F9278	SHIM (.005) . . . . .	37	-	FO17884	SHAFT, THROTTLE . . . . .	15	42
F9279	SHIM (.003) . . . . .	37	-	FO5323	GASKET, FUEL BOWL RETAINING SCREW . . . . .	15	21
F9280	SHIM (.002) . . . . .	37	34	FO9678	CLIP, CHOKE SHAFT . . . . .	15	39
F9281	SHIM (.010) . . . . .	39	-	FS695736	SEAL, O-RING . . . . .	31	21
F9282	SHIM (.005) . . . . .	37	-	FS698865	HOSE . . . . .	7	17
F9283	SHIM (.003) . . . . .	37	-	FS707023	GEAR, FORWARD (27 TOOTH) . . . . .	39	48
F9284	SHIM (.002) . . . . .	37	47	FS707628	DRIVESHAFT, LOWER . . . . .	37	33
FA178233	TIE BAR, THROTTLE W/SWIVEL . . . . .	7	30	FS722607	YOKE, STEERING W/BEARING AND SEALS . . . . .	29	7
FA528260	RING, PISTON - STANDARD	23	6	FS722996	FLANGE, EXHAUST . . . . .	35	8
FA607689	BEARING, TOWERSHAFT . .	19	8	FS749227	PLUG, SPARK (CHAMPION L76V) . . . . .	3	E38
FA686431	BODY, FUEL PUMP . . . . .	13	14	FSA528260	RING, PISTON - .010 OVERSIZE . . . . .	23	-
FA695487	GUIDE, STEERING CABLE W/GREASE FITTING . . . . .	27	11	FT11275	SPANNER WRENCH . . . . .	51	-
FA707239	SPOOL PROPELLER SHAFT W/BEARING AND SEALS . . . . .	39	62	FT11295	SPARK TESTER . . . . .	52	-
FA722381	CYLINDER, HYDRAULIC W/BEARINGS . . . . .	45	4	FT15691	SPANNER WRENCH . . . . .	51	-
FA84621-1	ARM . . . . .	37	36	FT16433	BEARING REMOVER . . . . .	51	-
FA85193	TIE BAR END W/SWIVEL . . .	7	27	FT16496	BEARING INSTALLER . . . . .	51	-
FA85655-1	RACE, CRANKSHAFT MAIN BEARING W/SNAP RING . . . . .	23	18	FT16536	HOLDING TOOL . . . . .	51	-
FG1026-2	GASKET SET . . . . .	21	37	FT16813	BEARING CUP REMOVER . . .	51	-
FK10023	GASKET SET . . . . .	17	55				
FK10288	REPAIR PARTS KIT . . . . .	15	1				
FK1203-1	SEAL KIT . . . . .	39	82				
FK1204-1	WATER PUMP KIT . . . . .	39	83				
FK405020	CLAMP W/PIVOT SCREW . . .	33	13				
FK405020	SWIVEL W/CLAMP . . . . .	19	23				
FK695125	COUPLER . . . . .	29	2				

# PARTS INDEX

Part Number	Description	Pg.	Ref. No.	Part Number	Description	Pg.	Ref. No.
FT16814	BEARING CUP INSTALLER . . . . .	51	-	32-99130-28	HOSE, PUDDLE DRAIN . . . . .	9	14
FT2938-1	CONTINUITY TESTER . . . . .	52	-	32-99130-30	HOSE, PUDDLE DRAIN . . . . .	9	20
FT2951	CIRCUIT TRACER . . . . .	52	-	32-99130-45	HOSE, PUDDLE DRAIN . . . . .	9	21
FT2953	SOCKET . . . . .	50	-	39-818129A1	RING, PISTON - .030 OVERSIZE . . . . .	23	-
FT2961	LUBRICANT - RYKON GREASE #2EP . . . . .	53	-	52-816433	CLUTCH . . . . .	39	50
FT2962-2	SEALANT - LOCTITE H, NON-HARDENING GRADE . . . . .	53	-	54-63153	CLIP, INSULATED "J" . . . . .	3	E21
FT2963-2	SEALANT - 2OZ. LOCTITE 271 . . . . .	53	-	54-816311	STA-STRAP . . . . .	3	E35
FT2987-1	LUBRICANT - ANTI-SEIZE . . . . .	53	-	84-813706A28	CABLE ASSEMBLY, HIGH TENSION (COMPLETE) . . . . .	3	E29
FT2990-1	PISTON PIN TOOL . . . . .	50	-	84-817441A1	HARNES, COIL TO SWITCH BOX . . . . .	3	E34
FT2991	CARBON BRUSH . . . . .	50	-	84-819021A1	CABLE, GROUND . . . . .	27	17
FT2996	RING COMPRESSOR . . . . .	50	-	84-819031A1	CABLE, GROUND . . . . .	33	30
FT8900	HOSE CLAMP PLIERS . . . . .	50	-	84-88807A29	CABLE ASSEMBLY, BLACK . . . . .	3	E33
FT8903	SEAL INSTALLER . . . . .	50	-	84-88807A34	CABLE ASSEMBLY, ADAPTER . . . . .	3	E18
FT8907	DRIVER HANDLE . . . . .	50	-	90-819232	ANODE, ANTI-CORROSION . . . . .	39	69
FT8914	SEAL REMOVER . . . . .	50	-	200-817494A2	FLYWHEEL . . . . .	3	E1
FT8919	SPRING PIN PUNCH . . . . .	51	-	332-5772A5	SWITCH BOX . . . . .	3	E4
FT8925	SEAL INSTALLER . . . . .	50	-	339-7370A23	COIL . . . . .	3	E5
FT8926	RING EXPANDER . . . . .	50	-	398-9710A11	STATER . . . . .	3	E2
FT8933	LIFTING HOOK . . . . .	50	-	400-819448A3	CRANKSHAFT W/UPPER MAIN BEARING & PUMP GEAR . . . . .	23	16
FT8935	SEALANT PRIMER LOC QUIC T . . . . .	53	-	600-818052A3	ROD, CONNECTING W/CAP AND SCREWS . . . . .	23	11
FT8936-1	SEALANT - 2CC LOCTITE RETAINING COMPOUND #75 . . . . .	53	-	700-819005	PISTON - STANDARD . . . . .	23	8
FT8948-1	PULLER . . . . .	49	-	700-819005A6	PISTON - .010 OVERSIZE . . . . .	23	-
FT8950	LEAKAGE TESTER . . . . .	52	-	700-819005A7	PISTON - .030 OVERSIZE . . . . .	23	-
FT8955	SEALANT - 5OZ. EC-750 INDUSTRIAL SEALANT . . . . .	53	-	800-819436A4	CYLINDER . . . . .	21	1
FT8957	SEAL INSTALLER . . . . .	51	-	800-819436A5	SHORT BLOCK . . . . .	21	-
FT8969	LUBRICANT - 7OZ. LPS-1 . . . . .	53	-	1600-819199A2	GEAR HOUSING COMPLETE . . . . .	39	-
FT8978-1	TIMING LIGHT . . . . .	49	-	1600-819231A7	GEAR HOUSING . . . . .	39	98
FT8983	SEALANT - 3 OZ. RTV SEALANT (FORM IN PLACE GASKETS) . . . . .	53	-				
FTA11259	MULIIMETER . . . . .	52	-				
10-35047	SCREW, 3/8 - 16 X 1 - 1/4 . . . . .	37	46				
10-41805	SCREW, 10 - 24 X .62 . . . . .	3	E13				
10-812987	SCREW, 10 - 24 X 1-1/4 . . . . .	3	E16				
10-817458	SCREW, 10 - 24 X 2 . . . . .	3	E27				
10-817504	SCREW, 1/4 - 20 X 1-1/2 . . . . .	3	E41				
10-819034	SCREW, 1/4 - 20 X 1-5/8 . . . . .	7	20				
11-45076	NUT, 10 - 24 . . . . .	3	E17				
11-68219	NUT, 10-32 . . . . .	11	11				
13-58643	WASHER . . . . .	37	45				
16-819007	STUD, SHIFT CABLE . . . . .	33	19				
22-819052	FITTING, HYDRAULIC . . . . .	43	7				
22-819052	FITTING, HYDRAULIC . . . . .	45	1				
22-819070	ELBOW, WATER INLET . . . . .	31	15				
22-819070	ELBOW, WATER LINE . . . . .	33	18				
23-91912	BUSHING . . . . .	3	E14				
25-817491	GROMMET . . . . .	3	E22				
31-815479	BEARING . . . . .	29	9				
31-818050A2	BEARING, CRANKSHAFT LOWER W/ SEAL . . . . .	23	21				
31-818070A1	CAGE, BEARING W/SEAL . . . . .	23	5				
32-43016-13	HOSE . . . . .	11	5				
32-43017-64	HOSE . . . . .	11	15				