



# PARTS CATALOG

## OUTBOARDS SEC D FUEL TANKS

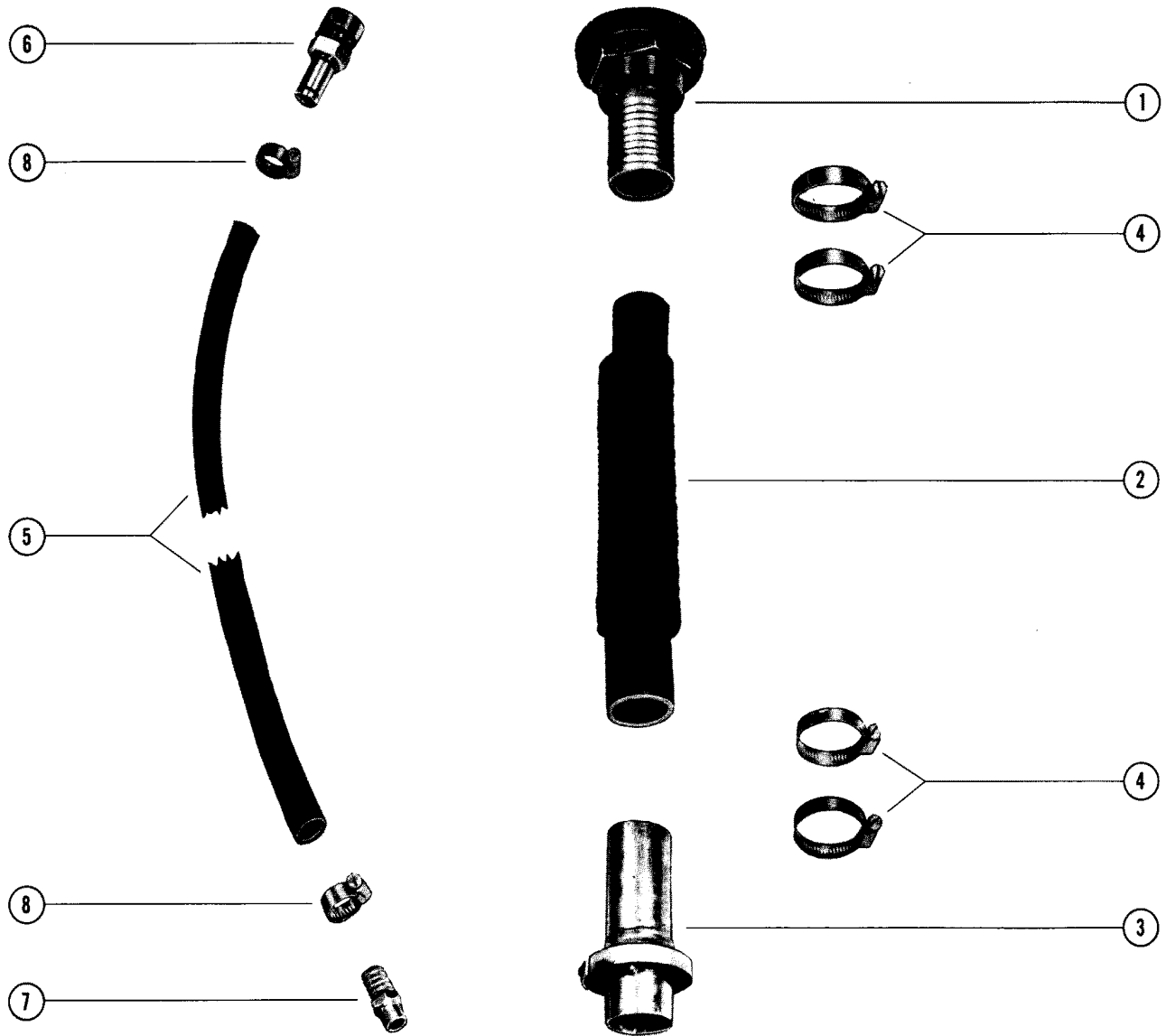
SERIAL NUMBER

FUEL TANKS/ FUEL LINES/ CORROSION . . . . .OB Fuel Tanks/Lines (1985 and Below)



THIS PAGE INTENTIONALLY LEFT BLANK

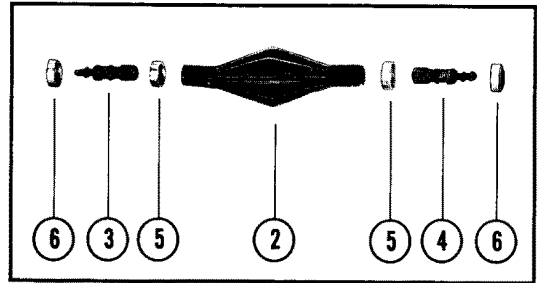
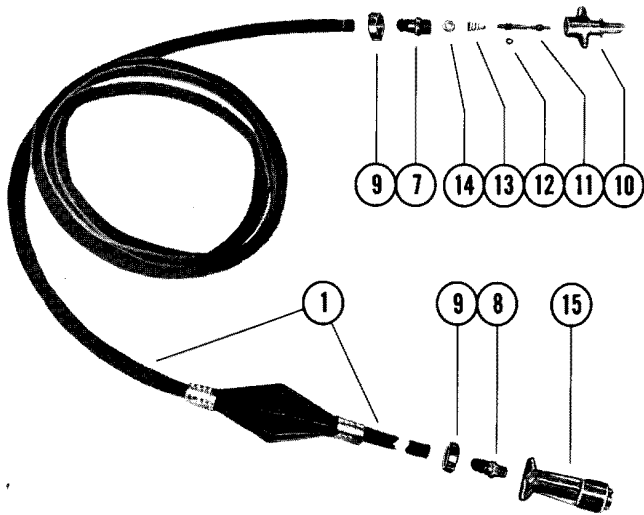
# FUEL TANK FILLING AND VENT KIT



## FUEL TANK FILLING AND VENT KIT

REF. NO.	PART NO.	SYM.	QTY.	DESCRIPTION
-	<b>32389A2</b>		<b>1</b>	<b>FUEL TANK FILLING AND VENT KIT</b>
1	36-33124		1	DECK FUEL FILLER CAP ASSEMBLY
2	32-57116		1	HOSE, FILLER - DECK CAP ASSEMBLY
3	32-33126		1	TUBE, EXTENSION - FUEL TANK
4	54-33127		4	CLAMP, FILLER HSOE TO CAP AND EXTENSION TUBE
5	32-57117		1	HOSE, VENT - HULL FITTING TO TANK FITTING
6	22-33129		1	FITTING, HULL VENT
7	22-33130		1	FITTING, FUEL TANK VENT
8	54-33131		2	<b>CLAMP VENT HOSE TO HULL FITTING AND TANK FITTING</b>

# FUEL LINE ASSEMBLY ( 8' AND 12' )



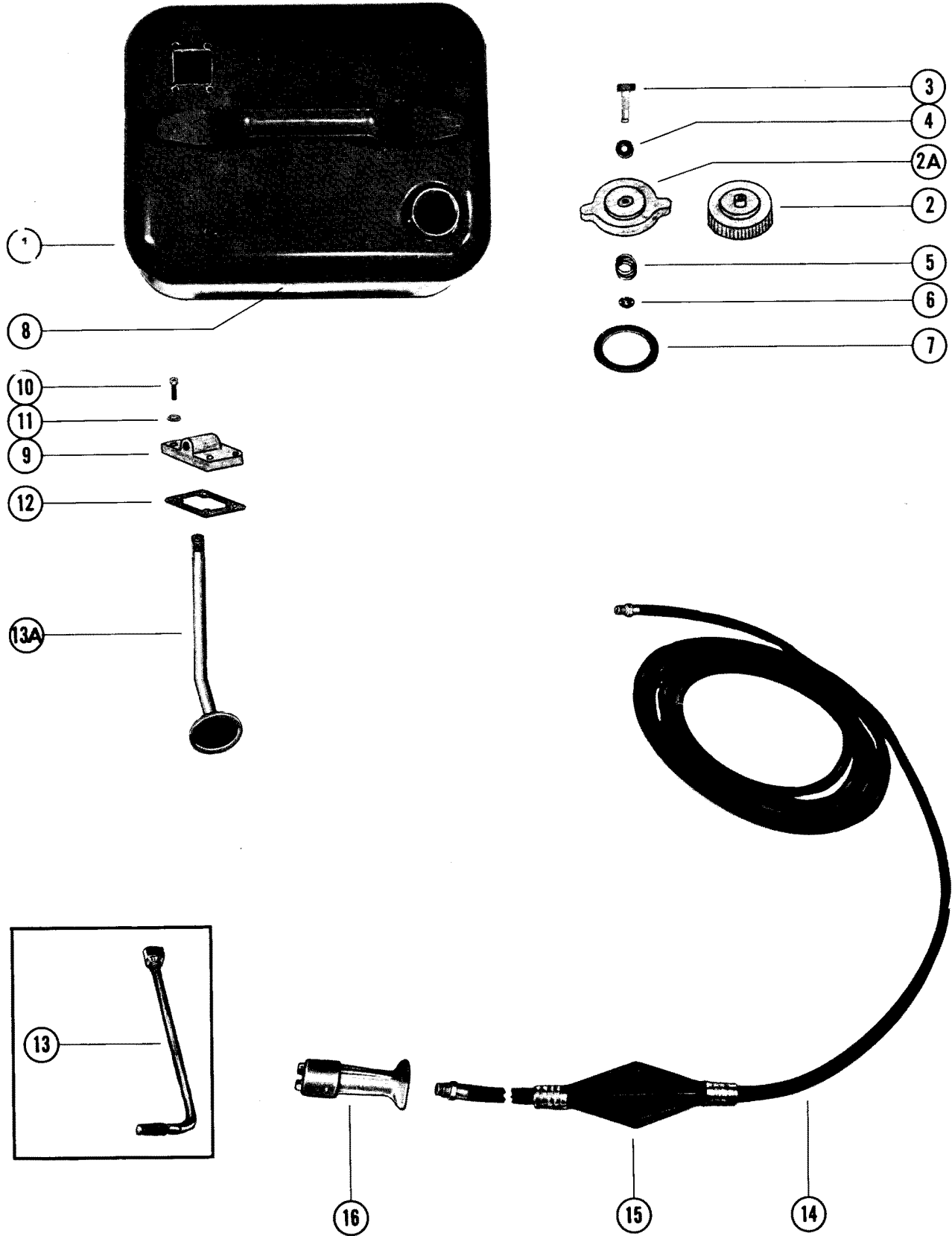
## FUEL LINE ASSEMBLY (8' AND 12' )

REF. NO.	PART NO.	SYM.	QTY.	DESCRIPTION
1	29479A33		1	FUEL LINE ASSEMBLY (8 )
	29479A32		1	FUEL LINE ASSEMBLY (12 )
2	58805A1		1	PRIMER BULB ASSEMBLY
3	21-57306A1		1	CHECK VALVE ASSEMBLY
4	21-57306		1	FITTING, FUEL LINE TO PRIMER BULB
5	54-27764		2	CLAMP, PRIMER BULB TO CHECK VALVE (LARGE)
6	54-55206		2	CLAMP, FUEL LINE TO CHECK VALVE (SMALL)
7	22-63187		1	CONNECTOR, FUEL LINE (FUEL TANK END)
8	22-63186		1	CONNECTOR, FUEL LINE (ENGINE END)
9	54-55206		2	CLAMP, FUEL LINE TO CONNECTOR
10	30185A1	■	1	BAYONET BODY ASSEMBLY (FUEL TANK END)
11	30187	■	1	STEM, BAYONET BODY
12	25-20415	■	1	"O" RING, BAYONET BODY STEM
13	24-30189	■	1	SPRING, BAYONET BODY STEM
14	30188	■	1	WASHER, CUPPED - BAYONET BODY SPRING
15	22831A1	■	1	CHECK UNIT ASSEMBLY (ENGINE END)

USE ON ALL MODELS

■ = THE ENCLOSED PARTS ARE INCLUDED WITH ENGINE

# FUEL TANK ASSEMBLY (3 GALLON)





## FUEL TANK ASSEMBLY (3 GALLON)

REF. NO.	PART NO.	SYM.	QTY.	DESCRIPTION
1	1203-335A20		1,	FUEL TANK ASSEMBLY, COMPLETE (3 GALLON)
	1203-335A27		,1	FUEL TANK ASSEMBLY, COMPLETE (3 GALLON)
2	36-22222A2		1,	FILLER CAP ASS Y (12-24 THREAD ON VENT SCREW)
2A	36-25392A2		1,1	FILLER CAP ASS Y (1/4-20 THREAD ON VENT SCREW)
3	10-25575		1,1	SCREW, VENT (1/4-20 THREAD)
4	12-49221		1,1	WASHER, VENT SCREW
5	24-22227		1,1	SPRING, TENSION - VENT SCREW
6	11-28587		1,1	NUT, RETAINING - VENT SCREW
7	27-25568		1,1	GASKET, FILLER CAP
8	37-65586		1,1	DECAL, FUEL TANK
9	57623		1,1	BODY, FUEL PICK-UP TUBE
10	10-26500		4,4	SCREW, BODY TO FUEL TANK (9/16")
11	12-29070		4,4	WASHER, SEALING - BODY SCREW
12	27-57621		1,1	GASKET, FUEL PICK-UP TUBE BODY
13	32-22331A4	▲	1,	PICK-UP TUBE ASSEMBLY
13A	32-57622A1		L,	PICK-UP TUBE ASSEMBLY
	32-57622A1		,1	PICK-UP TUBE ASSEMBLY
14	29479A33		1,1	FUEL LINE ASSEMBLY <b>SEE FUEL LINE ASSEMBLY FOR PARTS LIST</b>
15	58805A1		1,1	PRIMER BULB ASSEMBLY
16	30635A1		1,	CHECK UNIT ASSEMBLY, ENGINE END
	22831A1		,1	CHECK UNIT ASSEMBLY, ENGINE END

[A-1203-335A20]

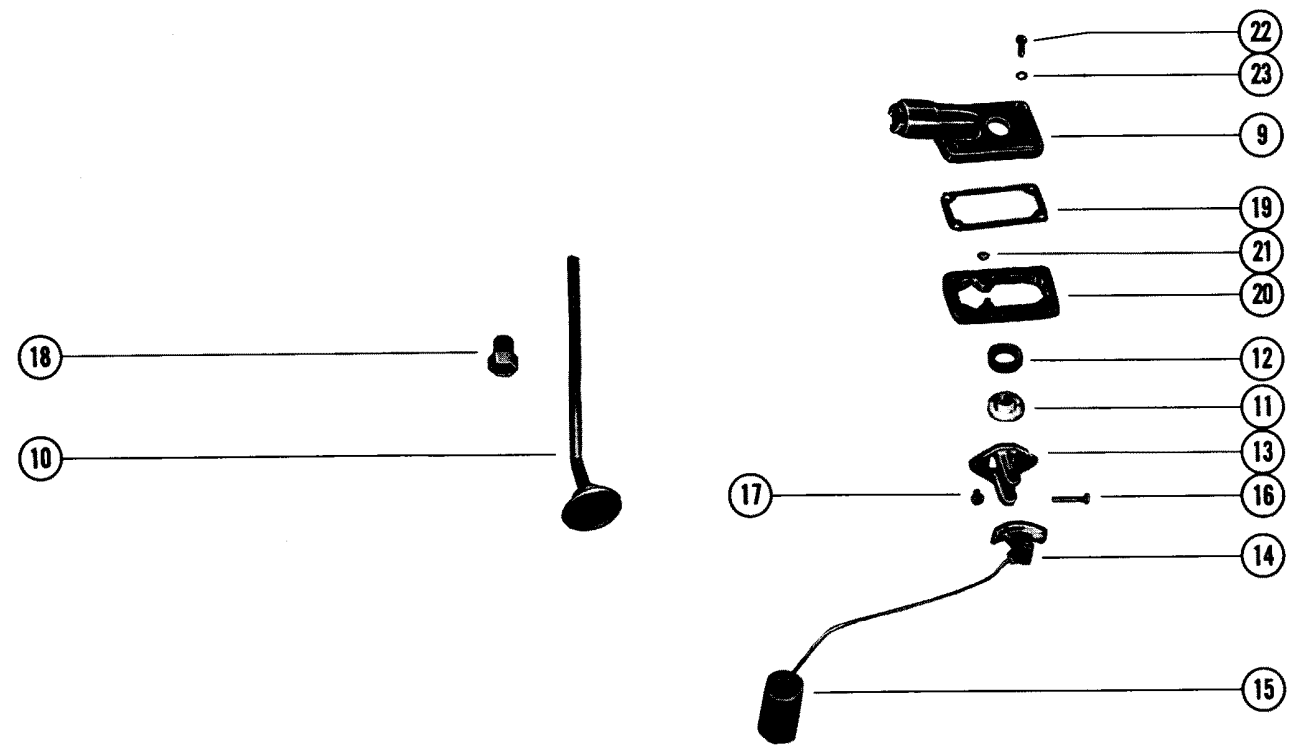
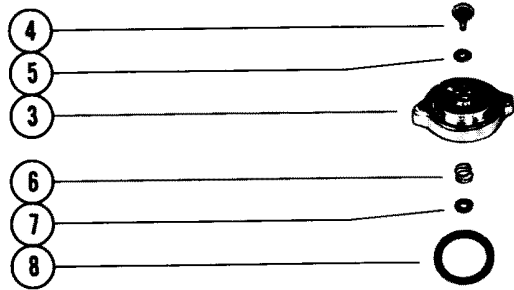
MERCH 40 (SERIAL #3296136 AND BELOW), MERC 60 (ALL MODELS), MERC 75 (SERIAL #3274632 AND BELOW), MERC 110 (SERIAL #3263262 AND BELOW)

[A-1203-335A27]

MERC 40 (SERIAL #3296137 AND UP), MERC 45 (ALL MODELS), MERC 75 (SERIAL #3274633 AND UP), MERC 110 (SERIAL # 3263263 AND UP)

▲ = [32-30121A1] TUBE ASSEMBLY AND [32-30443A1] TUBE ASSEMBLY ARE NLA. ORDER [A-32-33909A4] TUBE AS

# FUEL TANK ASSEMBLY (6 GALLON)



## FUEL TANK ASSEMBLY (6 GALLON)

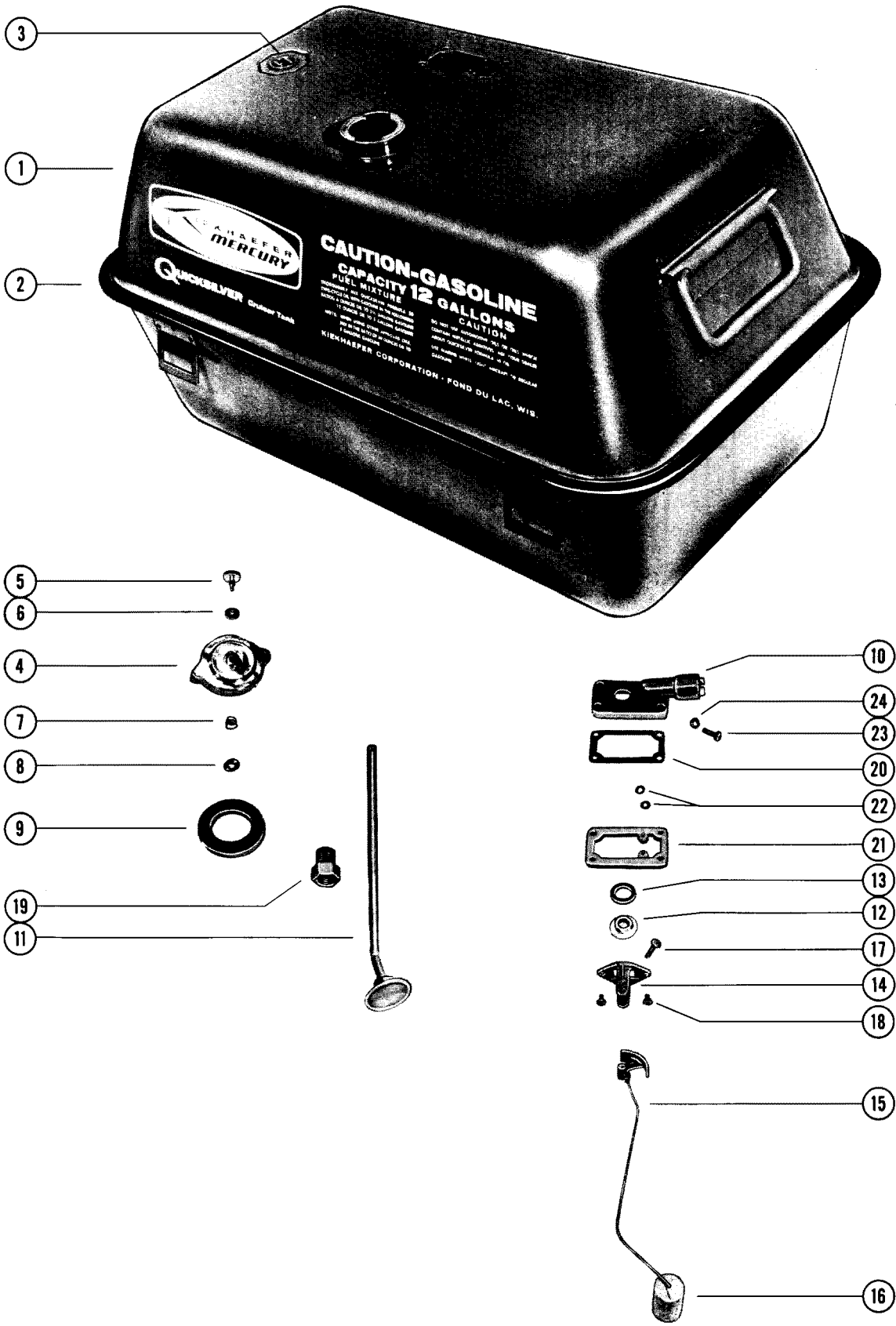
REF. NO.	PART NO.	SYM.	QTY.	DESCRIPTION
-	<b>1225-1529A15</b>		1	<b>FUEL TANK ASSEMBLY, COMPLETE (6 GALLON)</b>
1	1225-1529		1	FUEL TANK (6 GALLON)
2	37-65582		1	DECAL, FUEL TANK
3	36-25392A2		1	FILLER CAP ASSEMBLY
4	10-25575		1	SCREW, VENT - FILLER CAP
5	12-49221		1	WASHER, VENT SCREW
6	24-22227		1	SPRING, TENSION - VENT SCREW
7	11-28587		1	NUT, SPEED - SPRING RETAINER
8	27-25568		1	GASKET, FILLER CAP TO FUEL TANK
-	<b>64841A1</b>		1	<b>COVER ASSEMBLY, COMPLETE - FUEL TANK</b>
9	29195A1	◇▲	1	COVER ASS'Y, FUEL TANK (1/8-27 TAPPED HOLE)
	64841A3		1	COVER ASS'Y, FUEL TANK (1/4-18 TAPPED HOLE)
10	32-33909A3	▲	1	TUBE ASS'Y (1/4-18 CONNECTOR & 1/2" TUBE)
	32-30121A1	◇▲	1	TUBE ASS'Y (1/8-27 CONNECTOR & 5/16" TUBE) SEE NOTE
	32-30443A1	◇▲	1	TUBE ASS'Y (1/4-18 CONNECTOR & 3/8" TUBE) SEE NOTE
11	54920A1		1	LENS ASSEMBLY, FUEL GAUGE
12	27-54921		1	GASKET, FUEL GAUGE LENS
-	<b>28897A2</b>		1	<b>FUEL GAUGE ASSEMBLY, COMPLETE</b>
13	2O430		1	RETAINER, FUEL GAUGE
14	28897A1		1	INDICATOR AND FLOAT ASSEMBLY
15	20427		1	FLOAT, FUEL GAUGE
16	17-20426		1	RIVET, INDICATOR TO RETAINER
17	10-62568		2	SCREW, RETAINER TO FUEL TANK COVER (5/16")
	10-28716		2	SCREW, RETAINER TO FUEL TANK COVER (3/8") <b>EARLY STYLE</b>
18	22-33821		1	CONNECTOR, FUEL LINE TO PICK-UP TUBE (1/4-18) EARLY STYLE
19	27-28862		1	GASKET, COVER ASSEMBLY TO FRAME
20	28860		1	FRAME, RETAINING - FUEL TANK COVER
21	53-28903		2	FASTENER, RETAINING FRAME TO FUEL TANK
22	10-37601		4	SCREW, FUEL TANK COVER TO FUEL TANK
23	12-29070		4	WASHER, FUEL TANK COVER FASTENING SCREW

USE WITH MERC 200 THRU MERC 1500

◇ = [29195A1] COVER ASSEMBLY IS NLA. ORDER [A-64841A1] COVER ASS'Y, COMP.

▲ = [32-30121A1] TUBE ASSEMBLY AND [32-30443A1] TUBE ASSEMBLY ARE NLA. ORDER [A-32-33909A4] TUBE AS

# FUEL TANK ASSEMBLY (12 GALLON)



## FUEL TANK ASSEMBLY (12 GALLON)

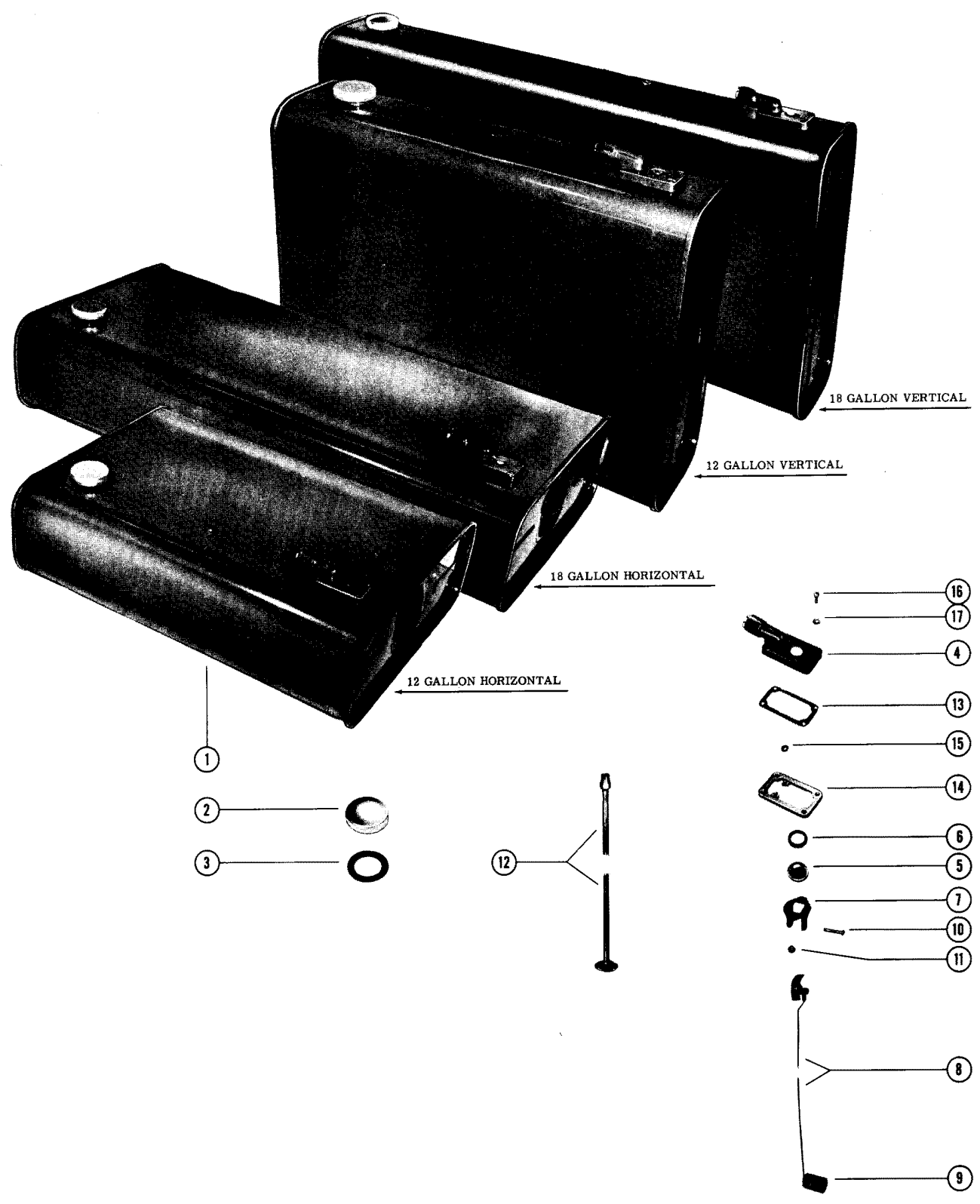
REF. NO.	PART NO.	SYM.	QTY.	DESCRIPTION
1	1232-1685A3	■	1	FUEL TANK ASSEMBLY, COMPLETE (12 GALLON)
2	30554		1	BUMPER, RUBBER - FUEL TANK
3	22-30555		1	PLUG, VENT - FUEL TANK
4	36-25392A2		1	FILLER CAP ASSEMBLY
5	10-25575		1	SCREW, VENT - FILLER CAP
6	27-23245		1	GASKET, VENT SCREW
7	24-22227		1	SPRING, VENT SCREW
8	11-28587		1	NUT, SPEED - SPRING RETAINER
9	27-25568		1	GASKET, FILLER CAP TO FUEL TANK
10	30439A13		1	COVER ASSEMBLY, FUEL TANK (1/8-27 TAPPED HOLE)
-	<b>30439A14</b>		<b>1</b>	<b>COVER ASSEMBLY, COMPLETE - FUEL TANK</b>
-	<b>32-33917A4</b>		<b>1</b>	<b>FUEL LINE PICK-UP TUBE ASSEMBLY, COMPLETE</b>
	30439A3		1	COVER ASSEMBLY, FUEL TANK (1/4-18 TAPPED HOLE)
11	32-33917A3		1	FUEL LINE PICK-UP TUBE ASSEMBLY
12	54920A1		1	LENS ASSEMBLY, FUEL GAUGE
13	27-54921		1	GASKET, FUEL GAUGE LENS
-	<b>29921A2</b>		<b>1</b>	<b>FUEL GAUGE ASSEMBLY, COMPLETE</b>
14	20430		1	RETAINER, FUEL GAUGE
15	29921A1		1	INDICATOR AND FLOAT ASSEMBLY
16	20427		1	FLOAT, FUEL GAUGE
17	17-20426		1	RIVET, INDICATOR TO RETAINER
18	10-45562		2	SCREW, FUEL GAUGE TO FUEL TANK
19	22-33821		1	CONNECTOR, FUEL LINE PICK-UP TUBE (1/4-18) <b>USED ON PREVIOUS FUEL TANKS</b>
20	27-28862		1	GASKET, COVER ASSEMBLY TO FRAME
21	28860		1	FRAME, RETAINING - FUEL TANK COVER
22	53-28903		2	FASTENER, RETAINING FRAME TO FUEL TANK
23	10-37601		4	SCREW, FUEL TANK COVER TO FUEL TANK
24	12-29070		4	WASHER, FUEL TANK COVER FASTENING SCREW
-	<b>22-45700A1</b>	●	<b>1</b>	<b>ADAPTOR ASSEMBLY, FUEL TANK FILLING AND VENT KIT</b>
-	<b>27-45701</b>		<b>1</b>	<b>GASKET, FUEL TANK ADAPTOR</b>

USE WITH MERC 200 THRU MERC 1500

● = TO ADAPT [C-32389A 2] FILLING AND VENT KIT TO 12 GALLON FUEL TANK LISTED ABOVE.

■ = FOR [1232-1685A3] FUEL TANK ASSEMBLY- ORDER [29479A32] (12') OR [29479A33] (8') FUEL LINE ASSEMBLY.

# FUEL TANK ASSEMBLY (12 AND 18 GALLON)



## FUEL TANK ASSEMBLY (12 AND 18 GALLON)

REF. NO.	PART NO.	SYM.	QTY.	DESCRIPTION
1	1233-1994A3	●	1,,,	FUEL TANK ASSEMBLY, COMPLETE (18 GALLON VERTICAL)
	1233-1988A3	●	,1,,	FUEL TANK ASSEMBLY, COMPLETE (12 GALLON VERTICAL)
	1233-1993A3	●	,,1,	FUEL TANK ASSEMBLY, COMPLETE (18 GALLON HORIZONTAL)
	1233-1987A3	●	,,,1	FUEL TANK ASSEMBLY, COMPLETE (12 GALLON HORIZONTAL)
2	36-32481		1,1,1,1	FILLER CAP ASSEMBLY
3	27-32482		1,1,1,1	GASKET, FILLER CAP TO FUEL TANK
-	<b>30439A12</b>		1,1,,	<b>COVER ASSEMBLY, COMPLETE (VERTICAL TANKS)</b>
-	<b>30439A11</b>		,,1,1	<b>COVER ASSEMBLY, COMPLETE (HORIZONTAL TANKS)</b>
4	30439A3		1,1,1,1	COVER ASSEMBLY, FUEL TANK
5	54920A1		1,1,1,1	LENS ASSEMBLY, FUEL GAUGE
6	27-54921		1,1,1,1	GASKET, FUEL GAUGE LENS
-	<b>32150A1</b>		1,1,,	<b>FUEL GAUGE ASSEMBLY, COMPLETE(VERTICAL TANKS)</b>
-	<b>32147A1</b>		,,1,1	<b>FUEL GAUGE ASSEMBLY, COMPLETE(HORIZONTAL TANKS)</b>
7	20430		1,1,1,1	RETAINER, FUEL GAUGE
8	32150		1,1,,	FUEL INDICATOR ASSEMBLY(VERTICAL TANKS)
	32147		,,1,1	FUEL INDICATOR ASSEMBLY(HORIZONTAL TANKS)
9	37257		1,1,,	FLOAT, FUEL GAUGE INDICATOR(VERTICAL TANKS)
	20427		,,1,1	FLOAT, FUEL GAUGE INDICATOR(HORIZONTAL TANKS)
10	17-20426		1,1,1,1	RIVET, INDICATOR TO RETAINER
11	10-45562		2,2,2,2	SCREW, RETAINER TO FUEL TANK COVER
12	32-32148A2		1,1,,	PICK-UP TUBE ASS Y(VERTICAL TANKS)
	32-32145A2		,,1,1	PICK-UP TUBE ASS Y(HORIZONTAL TANKS)
13	27-28862		1,1,1,1	GASKET, COVER ASSEMBLY TO FRAME
14	28860		1,1,1,1	FRAME, RETAINING - FUEL TANK COVER
15	53-28903		2,2,2,2	FASTENER, RETAINING FRAME TO FUEL TANK
16	10-37601		4,4,4,4	SCREW, FUEL TANK COVER TO FUEL TANK
17	12-29070		4,4,4,4	WASHER, FUEL TANK COVER FASTENING SCREW

USE WITH MERC 200 THRU MERC 1500

# PARTS INDEX

Part Number	Description	Pg.	Ref. No.	Part Number	Description	Pg.	Ref. No.
20427	FLOAT, FUEL GAUGE . . . . .	9	15	32150	FUEL INDICATOR ASSEMBLY(VERTICAL TANKS) . . . . .	13	8
20427	FLOAT, FUEL GAUGE . . . . .	11	16				
20427	FLOAT, FUEL GAUGE INDICATOR(HORIZONTAL TANKS) . . . . .	13	9	32150A1	FUEL GAUGE ASSEMBLY, COMPLETE(VERTICAL TANKS) . . . . .	13	-
20430	RETAINER, FUEL GAUGE . .	11	14				
20430	RETAINER, FUEL GAUGE . .	13	7	32389A2	FUEL TANK FILLING AND VENT KIT . . . . .	3	-
22831A1	CHECK UNIT ASSEMBLY (ENGINE END) . . . . .	5	15	37257	FLOAT, FUEL GAUGE INDICATOR(VERTICAL TANKS) . . . . .	13	9
22831A1	CHECK UNIT ASSEMBLY, ENGINE END . . . . .	7	16				
28860	FRAME, RETAINING - FUEL TANK COVER . . . . .	9	20	54920A1	LENS ASSEMBLY, FUEL GAUGE . . . . .	9	11
28860	FRAME, RETAINING - FUEL TANK COVER . . . . .	11	21	54920A1	LENS ASSEMBLY, FUEL GAUGE . . . . .	11	12
28860	FRAME, RETAINING - FUEL TANK COVER . . . . .	13	14	54920A1	LENS ASSEMBLY, FUEL GAUGE . . . . .	13	5
28897A1	INDICATOR AND FLOAT ASSEMBLY . . . . .	9	14	57623	BODY, FUEL PICK-UP TUBE	7	9
28897A2	FUEL GAUGE ASSEMBLY, COMPLETE . . . . .	9	-	58805A1	PRIMER BULB ASSEMBLY .	5	2
				58805A1	PRIMER BULB ASSEMBLY .	7	15
29195A1	COVER ASS'Y, FUEL TANK (1/8-27 TAPPED HOLE) . .	9	9	64841A1	COVER ASSEMBLY, COMPLETE - FUEL TANK	9	-
29479A32	FUEL LINE ASSEMBLY (12 )	5	1	64841A3	COVER ASS'Y, FUEL TANK (1/4-18 TAPPED HOLE) . .	9	9
29479A33	FUEL LINE ASSEMBLY . . . .	7	14	10-25575	SCREW, VENT (1/4-20 THREAD) . . . . .	7	3
29479A33	FUEL LINE ASSEMBLY (8 ) .	5	1	10-25575	SCREW, VENT - FILLER CAP	9	4
29921A1	INDICATOR AND FLOAT ASSEMBLY . . . . .	11	15	10-25575	SCREW, VENT - FILLER CAP	11	5
29921A2	FUEL GAUGE ASSEMBLY, COMPLETE . . . . .	11	--	10-26500	SCREW, BODY TO FUEL TANK (9/16") . . . . .	7	10
2O430	RETAINER, FUEL GAUGE . .	9	13	10-28716	SCREW, RETAINER TO FUEL TANK COVER (3/8")	9	17
30185A1	BAYONET BODY ASSEMBLY (FUEL TANK END) . . . . .	5	10	10-37601	SCREW, FUEL TANK COVER TO FUEL TANK . . . . .	9	22
30187	STEM, BAYONET BODY . . .	5	11	10-37601	SCREW, FUEL TANK COVER TO FUEL TANK . . . . .	11	23
30188	WASHER, CUPPED - BAYONET BODY SPRING	5	14	10-37601	SCREW, FUEL TANK COVER TO FUEL TANK . . . . .	13	16
30439A11	COVER ASSEMBLY, COMPLETE (HORIZONTAL TANKS) . . . . .	13	-	10-45562	SCREW, FUEL GAUGE TO FUEL TANK . . . . .	11	18
30439A12	COVER ASSEMBLY, COMPLETE (VERTICAL TANKS) . . . . .	13	-	10-45562	SCREW, RETAINER TO FUEL TANK COVER . . . . .	13	11
30439A13	COVER ASSEMBLY, FUEL TANK (1/8-27 TAPPED HOLE) . . . . .	11	10	10-62568	SCREW, RETAINER TO FUEL TANK COVER (5/16")	9	17
30439A14	COVER ASSEMBLY, COMPLETE - FUEL TANK	11	--	11-28587	NUT, RETAINING - VENT SCREW . . . . .	7	6
30439A3	COVER ASSEMBLY, FUEL TANK . . . . .	13	4	11-28587	NUT, SPEED - SPRING RETAINER . . . . .	9	7
30439A3	COVER ASSEMBLY, FUEL TANK (1/4-18 TAPPED HOLE) . . . . .	11	10	11-28587	NUT, SPEED - SPRING RETAINER . . . . .	11	8
30554	BUMPER, RUBBER - FUEL TANK . . . . .	11	2	12-29070	WASHER, FUEL TANK COVER FASTENING SCREW . . . . .	9	23
30635A1	CHECK UNIT ASSEMBLY, ENGINE END . . . . .	7	16	12-29070	WASHER, FUEL TANK COVER FASTENING SCREW . . . . .	11	24
32147	FUEL INDICATOR ASSEMBLY(HORIZONTAL TANKS) . . . . .	13	8	12-29070	WASHER, FUEL TANK COVER FASTENING SCREW . . . . .	13	17



# PARTS INDEX

Part Number	Description	Pg.	Ref. No.	Part Number	Description	Pg.	Ref. No.
12-49221	WASHER, VENT SCREW . . .	7	4	32-30121A1	TUBE ASS'Y (1/8-27		
12-49221	WASHER, VENT SCREW . . .	9	5		CONNECTOR & 5/16"		
17-20426	RIVET, INDICATOR TO				TUBE) SEE NOTE . . . . .	9	10
	RETAINER . . . . .	9	16	32-30443A1	TUBE ASS'Y (1/4-18		
17-20426	RIVET, INDICATOR TO				CONNECTOR & 3/8"		
	RETAINER . . . . .	11	17		TUBE) SEE NOTE . . . . .	9	10
17-20426	RIVET, INDICATOR TO			32-32145A2	PICK-UP TUBE ASS Y(		
	RETAINER . . . . .	13	10		HORIZONTAL TANKS) . . .	13	12
21-57306	FITTING, FUEL LINE TO			32-32148A2	PICK-UP TUBE ASS Y(		
	PRIMER BULB . . . . .	5	4		VERTICAL TANKS) . . . . .	13	12
21-57306A1	CHECK VALVE ASSEMBLY .	5	3	32-33126	TUBE, EXTENSION - FUEL		
22-30555	PLUG, VENT - FUEL TANK .	11	3		TANK . . . . .	3	3
22-33129	FITTING, HULL VENT . . . . .	3	6	32-33909A3	TUBE ASS'Y (1/4-18		
22-33130	FITTING, FUEL TANK VENT	3	7		CONNECTOR & 1/2"		
22-33821	CONNECTOR, FUEL LINE				TUBE) . . . . .	9	10
	PICK-UP TUBE (1/4-18) . .	11	19	32-33917A3	FUEL LINE PICK-UP TUBE		
22-33821	CONNECTOR, FUEL LINE TO				ASSEMBLY . . . . .	11	11
	PICK-UP TUBE (1/4-18)			32-33917A4	FUEL LINE PICK-UP TUBE		
	EARLY STYLE . . . . .	9	18		ASSEMBLY, COMPLETE .	11	--
22-45700A1	ADAPTOR ASSEMBLY, FUEL			32-57116	HOSE, FILLER - DECK CAP		
	TANK FILLING AND VENT				ASSEMBLY . . . . .	3	2
	KIT . . . . .	11	--	32-57117	HOSE, VENT - HULL FITTING		
22-63186	CONNECTOR, FUEL LINE				TO TANK FITTING . . . . .	3	5
	(ENGINE END) . . . . .	5	8	32-57622A1	PICK-UP TUBE ASSEMBLY .	7	13A
22-63187	CONNECTOR, FUEL LINE			32-57622A1	PICK-UP TUBE ASSEMBLY .	7	13A
	(FUEL TANK END) . . . . .	5	7	36-22222A2	FILLER CAP ASS Y (12-24		
24-22227	SPRING, TENSION - VENT				THREAD ON VENT		
	SCREW . . . . .	7	5		SCREW) . . . . .	7	2
24-22227	SPRING, TENSION - VENT			36-25392A2	FILLER CAP ASS Y (1/4-20		
	SCREW . . . . .	9	6		THREAD ON VENT		
24-22227	SPRING, VENT SCREW . . . .	11	7		SCREW) . . . . .	7	2A
24-30189	SPRING, BAYONET BODY			36-25392A2	FILLER CAP ASSEMBLY . . .	9	3
	STEM . . . . .	5	13	36-25392A2	FILLER CAP ASSEMBLY . . .	11	4
25-20415	"O" RING, BAYONET BODY			36-32481	FILLER CAP ASSEMBLY . . .	13	2
	STEM . . . . .	5	12	36-33124	DECK FUEL FILLER CAP		
27-23245	GASKET, VENT SCREW . . .	11	6		ASSEMBLY . . . . .	3	1
27-25568	GASKET, FILLER CAP . . . . .	7	7	37-65582	DECAL, FUEL TANK . . . . .	9	2
27-25568	GASKET, FILLER CAP TO			37-65586	DECAL, FUEL TANK . . . . .	7	8
	FUEL TANK . . . . .	9	8	53-28903	FASTENER, RETAINING		
27-25568	GASKET, FILLER CAP TO				FRAME TO FUEL TANK . . .	9	21
	FUEL TANK . . . . .	11	9	53-28903	FASTENER, RETAINING		
27-28862	GASKET, COVER				FRAME TO FUEL TANK . . .	11	22
	ASSEMBLY TO FRAME . . .	9	19	53-28903	FASTENER, RETAINING		
27-28862	GASKET, COVER				FRAME TO FUEL TANK . . .	13	15
	ASSEMBLY TO FRAME . . .	11	20	54-27764	CLAMP, PRIMER BULB TO		
27-28862	GASKET, COVER				CHECK VALVE (LARGE) . .	5	5
	ASSEMBLY TO FRAME . . .	13	13	54-33127	CLAMP, FILLER HSOE TO		
27-32482	GASKET, FILLER CAP TO				CAP AND EXTENSION		
	FUEL TANK . . . . .	13	3		TUBE . . . . .	3	4
27-45701	GASKET, FUEL TANK			54-33131	CLAMP . . . . .	3	8
	ADAPTOR . . . . .	11	--	54-55206	CLAMP, FUEL LINE TO		
27-54921	GASKET, FUEL GAUGE				CHECK VALVE (SMALL) . .	5	6
	LENS . . . . .	9	12	54-55206	CLAMP, FUEL LINE TO		
27-54921	GASKET, FUEL GAUGE				CONNECTOR . . . . .	5	9
	LENS . . . . .	11	13	1203-335A20	FUEL TANK ASSEMBLY,		
27-54921	GASKET, FUEL GAUGE				COMPLETE (3 GALLON) . .	7	1
	LENS . . . . .	13	6	1203-335A27	FUEL TANK ASSEMBLY,		
27-57621	GASKET, FUEL PICK-UP				COMPLETE (3 GALLON) . .	7	1
	TUBE BODY . . . . .	7	12	1225-1529	FUEL TANK (6 GALLON) . . .	9	1
32-22331A4	PICK-UP TUBE ASSEMBLY .	7	13				

# PARTS INDEX

Part Number	Description	Pg.	Ref. No.	Part Number	Description	Pg.	Ref. No.
1232-1685A3	FUEL TANK ASSEMBLY, COMPLETE (12 GALLON)	11	1				
1233-1987A3	FUEL TANK ASSEMBLY, COMPLETE (12 GALLON HORIZONTAL) .....	13	1				
1233-1988A3	FUEL TANK ASSEMBLY, COMPLETE (12 GALLON VERTICAL) .....	13	1				
1233-1993A3	FUEL TANK ASSEMBLY, COMPLETE (18 GALLON HORIZONTAL) .....	13	1				
1233-1994A3	FUEL TANK ASSEMBLY, COMPLETE (18 GALLON VERTICAL) .....	13	1				