



# PARTS CATALOG

## MERCUISER SEC D FUEL TANKS AND GAUGES

SERIAL NUMBER

FUEL TANKS/ FUEL LINES/ CORROSION . .MC Fuel Tanks & Gauges(1985 and Below)

# TABLE OF CONTENTS:

ELECTRIC FUEL GAUGE KIT . . . . .	8
ELECTRICAL FUEL GAUGE KIT . . . . .	4
FUEL TANK ASSEMBLY (12 AND 18 GALLON) . . . . .	2
FUEL TANK FILLING . . . . .	6
FUEL TANK SENDER KIT . . . . .	10
FUEL TANKS . . . . .	12
PARTS INDEX . . . . .	14

**NOTE:** *Indented description indicate that these parts are included in preceeding assembly.*

**AR** = As Required

**NSS** = Not Sold Separate

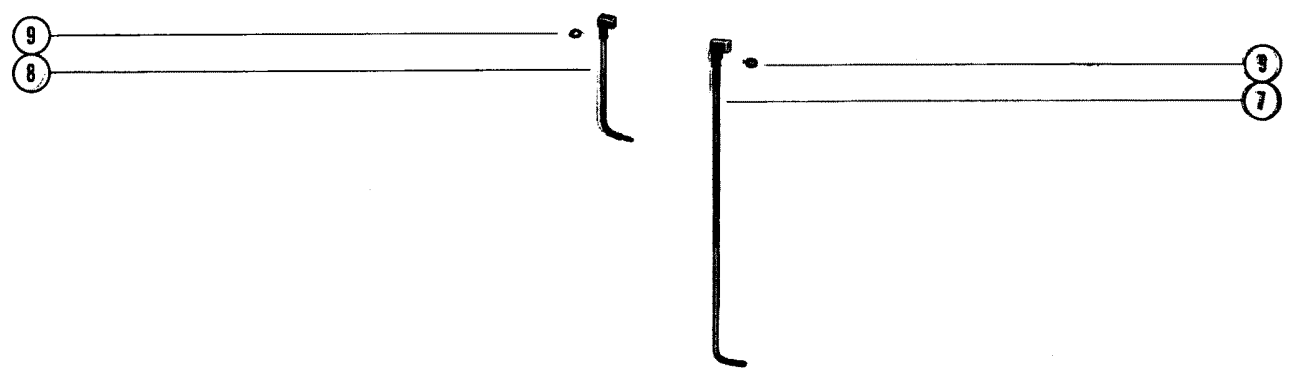
**OPT** = Optional

**NS** = Not Shown

**THESE PARTS BOOKS/FICHE CARD ARE COPYRIGHTED AND MAY NOT BE DISTRIBUTED OR REPRODUCED IN ANY OTHER FORMAT BY ANYONE OTHER THAN MERCURY MARINE WITHOUT THE PRIOR WRITTEN CONSENT OF MERCURY MARINE.**

THIS PAGE INTENTIONALLY LEFT BLANK

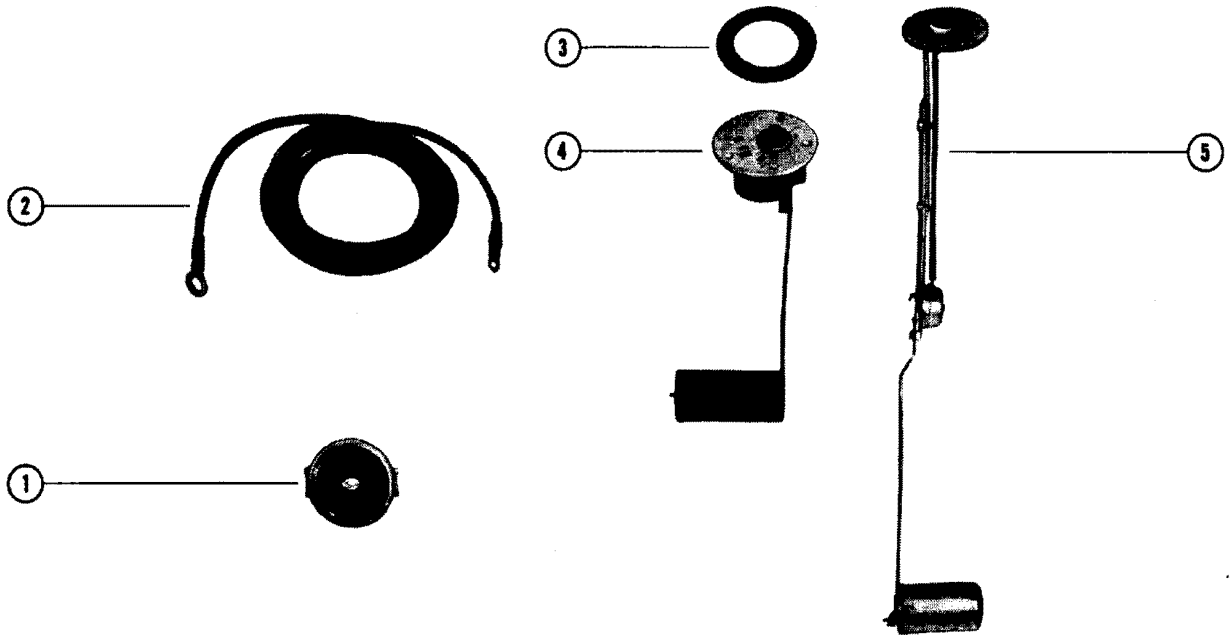
# FUEL TANK ASSEMBLY (12 AND 18 GALLON)



## FUEL TANK ASSEMBLY (12 AND 18 GALLON)

REF. NO.	PART NO.	SYM.	QTY.	DESCRIPTION
1	1236-2233		1,,	FUEL TANK ASSEMBLY,COMPLETE (18 GALLON VERTICAL)
	1236-2232		,1,,	FUEL TANK ASSEMBLY,COMPLETE (12 GALLON VERTICAL)
	1236-2235		,,1,	FUEL TANK ASSEMBLY,COMPLETE (18 GALLON HORIZONTAL)
	1236-2234		,,,1	FUEL TANK ASSEMBLY,COMPLETE (12 GALLON HORIZONTAL)
2	35700		1,1,1,1	FLANGE, RETAINING - FUEL TANK LENS
3	27-35702		1,1,1,1	GASKET, RETAINING FLANGE
4	10-30405		5,5,5,5	SCREW, RETAINING FLANGE TO FUEL TANK
5	35701		1,1,1,1	LENS, FUEL TANK INDICATOR
6	35703		1,1,,	INDICATOR AND FLOAT ASSEMBLY (20") - VERTICAL TANKS
	35704		,,1,1	INDICATOR AND FLOAT ASSEMBLY (7") - HORIZONTAL TANKS
7	32-35706		1,1,,	TUBE, FUEL PICK-UP (20") - VERTICAL TANKS
8	32-35705		,,1,1	TUBE, FUEL PICK-UP (7") - HORIZONTAL TANKS
9	11-35707		1,1,1,1	NUT,FUEL PICK-UP TUBE (1/2-18)

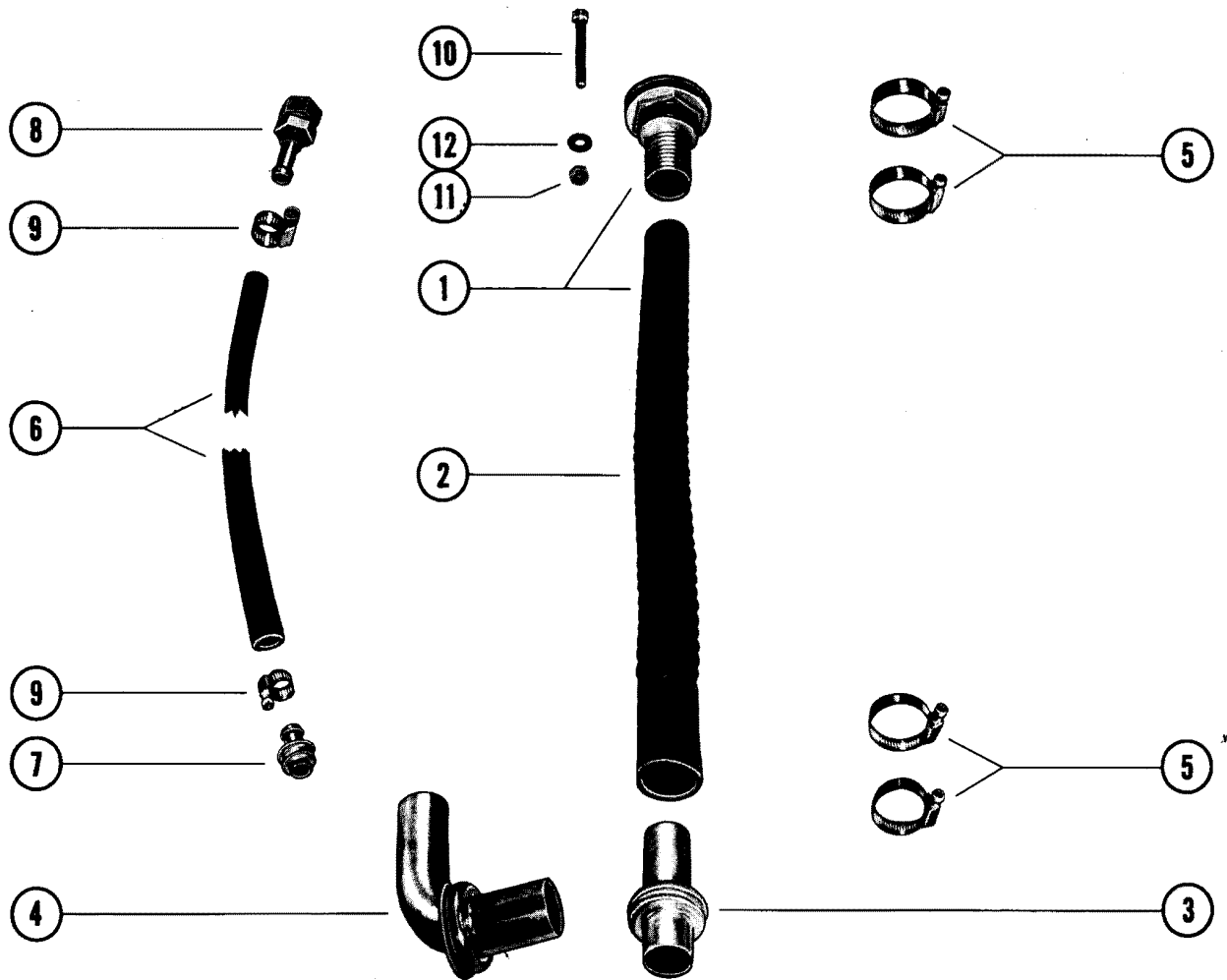
# ELECTRICAL FUEL GAUGE KIT



# ELECTRICAL FUEL GAUGE KIT

REF. NO.	PART NO.	SYM.	QTY.	DESCRIPTION
-	36566A1		1	ELECTRIC FUEL GAUGE KIT (HORIZONTAL FUEL TANK)
-	36566A2		-	ELECTRIC FUEL GAUGE KIT (VERTICAL FUEL TANK)
1	36566		1	FUEL GAUGE, ELECTRIC - DASHBOARD
2	37382		1	WIRE, FUEL SENDER UNIT TO BATTERY (BLACK - 10 )
3	27-35702		1	GASKET, FUEL SENDER UNIT
4	36416		1	FUEL SENDER UNIT, LEVER TYPE - FUEL TANK
5	36417		-	FUEL SENDER UNIT, BRACKET TYPE - FUEL TANK

# FUEL TANK FILLING

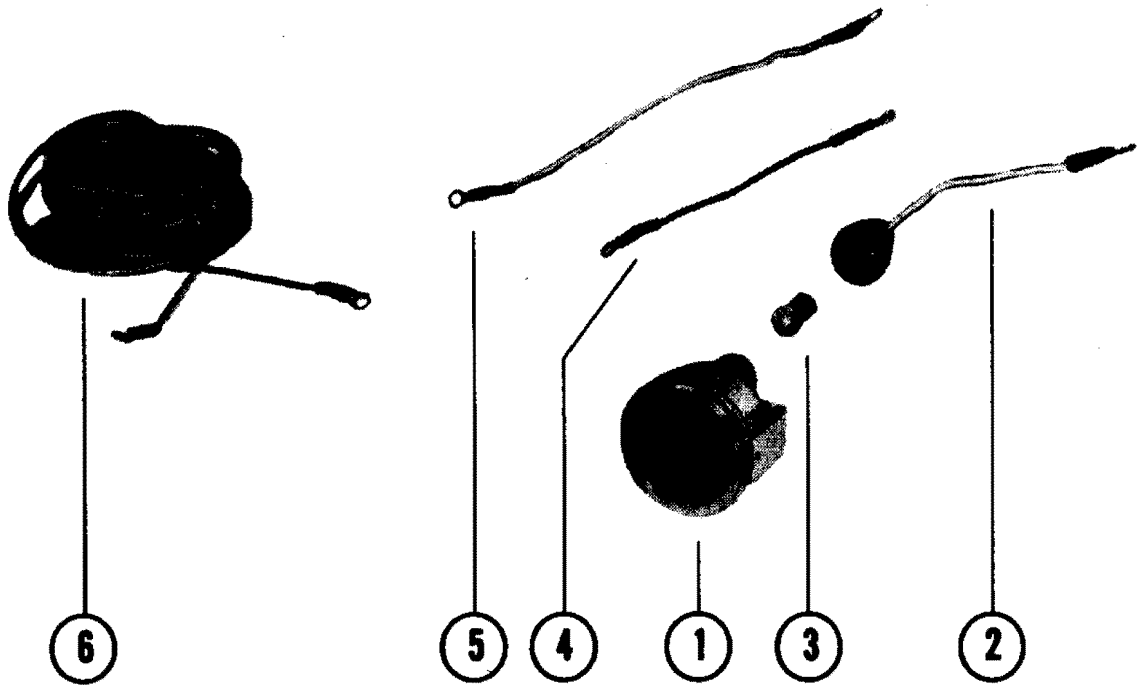




# FUEL TANK FILLING

REF. NO.	PART NO.	SYM.	QTY.	DESCRIPTION
-	32389A3		1,,	FUEL TANK FILLING AND VENT KIT
-	34573A1		,1,	FUEL TANK FILLING AND VENT KIT
-	34573A2		,,1	FUEL TANK FILLING AND VENT KIT
1	36-86664		1,,	DECK FUEL FILLER CAP ASSEMBLY
	36-33124		,1,1	DECK FUEL FILLER CAP ASSEMBLY
2	32-57116		1,1,1	HOSE, FILLER - DECK CAP TO FILLER TUBE
3	32-33126		1,,	TUBE, FILLER (STRAIGHT)
	32-35714		,1,	TUBE, FILLER (STRAIGHT)
4	32-35708		,,1	TUBE, FILLER (90°)
5	54-33127		4,4,4	CLAMP, FILLER HOSE TO CAP AND FILLER TUBE
6	32-57117		1,1,1	HOSE, VENT - HULL FITTING TO FUEL TANK FITTING
7	22-33130		1,,	FITTING, FUEL TANK VENT
	22-35715		,1,	FITTING, FUEL TANK VENT
	22-35717		,,1	FITTING, FUEL TANK VENT
8	22-33129		1,1,1	FITTING, HULL VENT
9	54-32523		2,2,2	CLAMP, VENT HOSE TO HULL FITTING AND TANK FITTING
10	10-36070		1,,	SCREW, FILLER CAP TO DECK - GROUNDING (1 1/4")
11	11-45812		1,,	NUT, FILLER CAP SCREW
12	12-26436		1,,	WASHER, FILLER CAP SCREW

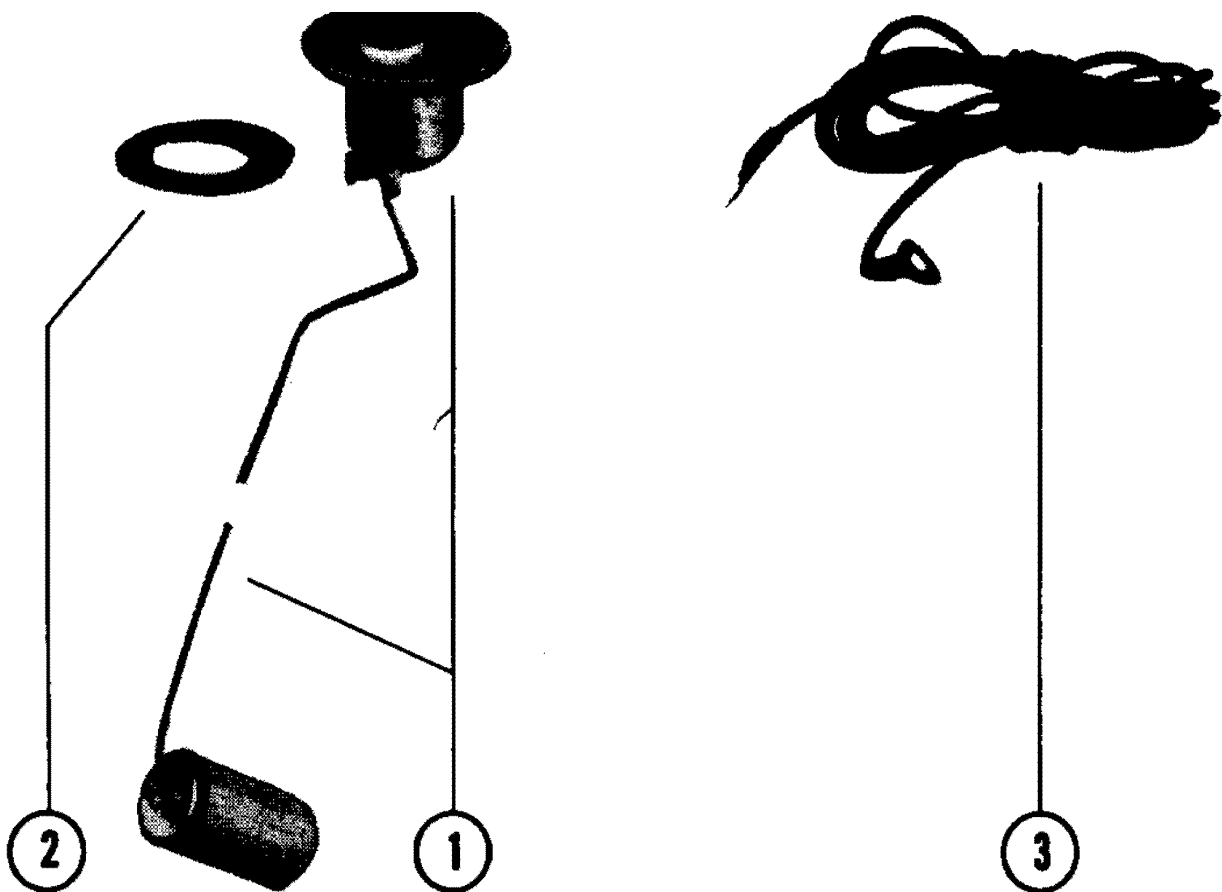
# ELECTRIC FUEL GAUGE KIT



## ELECTRIC FUEL GAUGE KIT

REF. NO.	PART NO.	SYM.	QTY.	DESCRIPTION
-	53972A1		1,	<b>ELECTRIC FUEL GAUGE KIT (ROUND FACE)</b>
-	55418A1		,1	<b>ELECTRIC FUEL GAUGE KIT (SQUARE FACE)</b>
1	53972		1,	FUEL GAUGE, ELECTRIC (ROUND FACE)
	55418		,1	FUEL GAUGE, ELECTRIC (SQUARE FACE)
2	49917A3		1,1	SOCKET ASSEMBLY, FUEL GAUGE
3	32878		1,1	LIGHT BULB, FUEL GAUGE SOCKET
4	46054		1,1	JUMPER WIRE, GROUND (BLACK- 6 1/2")
5	46800		1,1	JUMPER WIRE, FUEL GAUGE (WHITE - 17")
6	54607		1,1	HARNES, FUEL GAUGE TO FUEL TANK SENDER (20 )

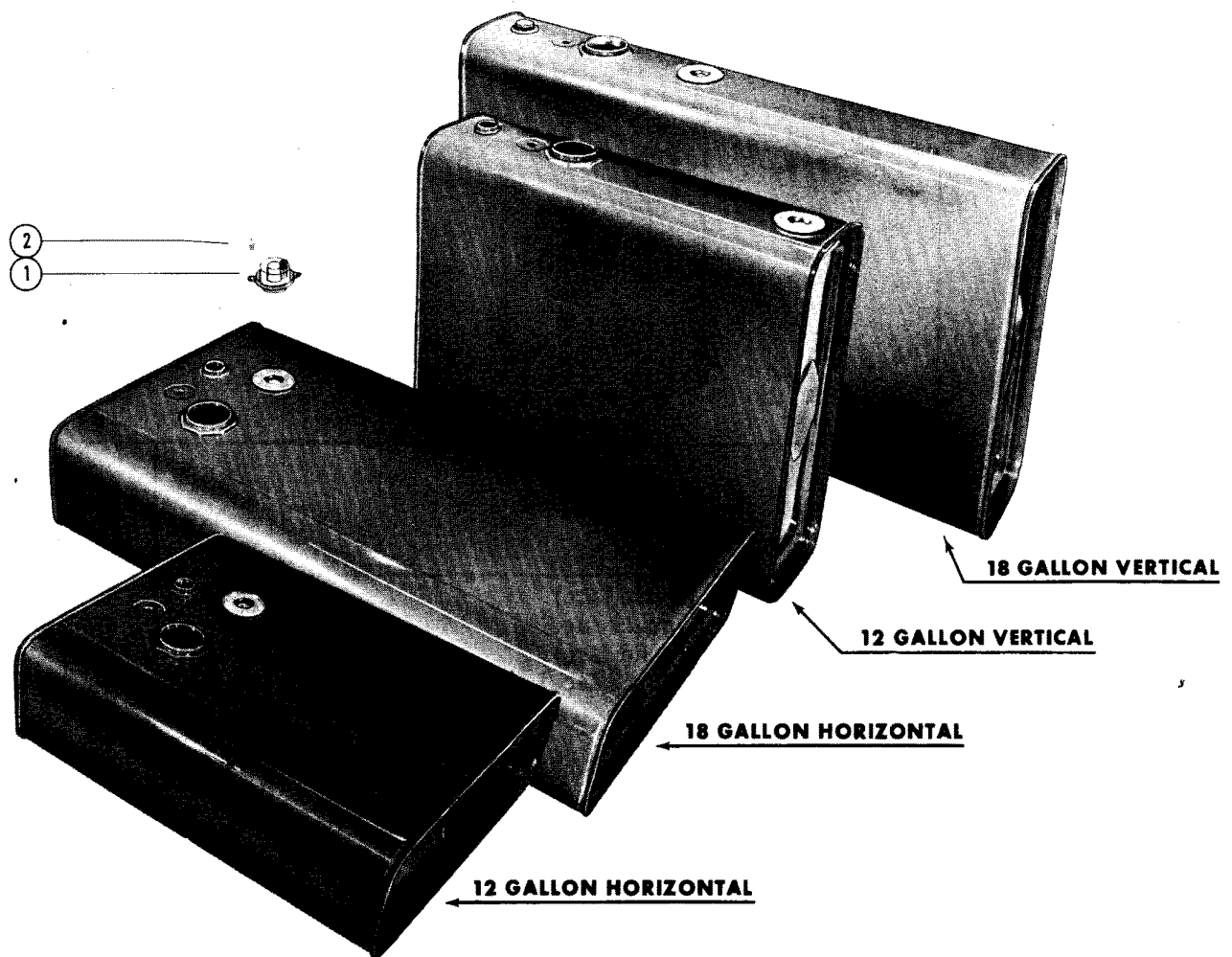
# FUEL TANK SENDER KIT



## FUEL TANK SENDER KIT

REF. NO.	PART NO.	SYM.	QTY.	DESCRIPTION
1	54267A1		1,	FUEL TANK SENDER KIT (LEFT HAND)
	54268A1		,1	FUEL TANK SENDER KIT (RIGHT HAND)
2	27-35702		1,1	GASKET, FUEL TANK SENDER
3	37382		1,1	WIRE, FUEL TANK SENDER TO GROUND WLACK - 10")

# FUEL TANKS



# FUEL TANKS

REF. NO.	PART NO.	SYM.	QTY.	DESCRIPTION
-	1233-6470		-	FUEL TANK (12 GALLON - HORIZONTAL)
-	1233-6469		-	FUEL TANK (12 GALLON - VERTICAL)
-	1233-6472		-	FUEL TANK (18 GALLON - HORIZONTAL)
-	1233-6471		-	FUEL TANK (18 GALLON - VERTICAL)
1	58846		1	CAPSULE, FUEL GAUGE (MECHANICAL) (FUEL GAUGE CAPSULE)
	58847A1		1	CAPSULE, FUEL GAUGE (ELECTRICAL) (FUEL GAUGE CAPSULE)
2	10-35633		2	SCREW,CAPSULE TO FUEL TANK(FUEL GAUGE CAPSULE)

# PARTS INDEX

Part Number	Description	Pg.	Ref. No.	Part Number	Description	Pg.	Ref. No.
32389A3	FUEL TANK FILLING AND VENT KIT	7	-	10-30405	SCREW, RETAINING FLANGE TO FUEL TANK	3	4
32878	LIGHT BULB, FUEL GAUGE SOCKET	9	3	10-35633	SCREW,CAPSULE TO FUEL TANK(FUEL GAUGE CAPSULE)	13	2
34573A1	FUEL TANK FILLING AND VENT KIT	7	-	10-36070	SCREW, FILLER CAP TO DECK - GROUNDING (1 1/4")	7	10
34573A2	FUEL TANK FILLING AND VENT KIT	7	-	11-35707	NUT,FUEL PICK-UP TUBE (1/2-18)	3	9
35700	FLANGE, RETAINING - FUEL TANK LENS	3	2	11-45812	NUT, FILLER CAP SCREW	7	11
35701	LENS, FUEL TANK INDICATOR	3	5	12-26436	WASHER, FILLER CAP SCREW	7	12
35703	INDICATOR AND FLOAT ASSEMBLY (20") - VERTICAL TANKS	3	6	22-33129	FITTING, HULL VENT	7	8
35704	INDICATOR AND FLOAT ASSEMBLY (7") - HORIZONTAL TANKS	3	6	22-33130	FITTING, FUEL TANK VENT	7	7
36416	FUEL SENDER UNIT, LEVER TYPE - FUEL TANK	5	4	22-35715	FITTING, FUEL TANK VENT	7	7
36417	FUEL SENDER UNIT, BRACKET TYPE - FUEL TANK	5	5	22-35717	FITTING, FUEL TANK VENT	7	7
36566	FUEL GAUGE, ELECTRIC - DASHBOARD	5	1	27-35702	GASKET, FUEL SENDER UNIT	5	3
36566A1	ELECTRIC FUEL GAUGE KIT (HORIZONTAL FUEL TANK)	5	-	27-35702	GASKET, FUEL TANK SENDER	11	2
36566A2	ELECTRIC FUEL GAUGE KIT (VERTICAL FUEL TANK)	5	-	27-35702	GASKET, RETAINING FLANGE	3	3
37382	WIRE, FUEL SENDER UNIT TO BATTERY (BLACK - 10 )	5	2	32-33126	TUBE, FILLER (STRAIGHT)	7	3
37382	WIRE, FUEL TANK SENDER TO GROUND WBLACK - 10")	11	3	32-35705	TUBE, FUEL PICK-UP (7") - HORIZONTAL TANKS	3	8
46054	JUMPER WIRE, GROUND (BLACK- 6 1/2")	9	4	32-35706	TUBE, FUEL PICK-UP (20") - VERTICAL TANKS	3	7
46800	JUMPER WIRE, FUEL GAUGE (WHITE - 17")	9	5	32-35708	TUBE, FILLER (90ö)	7	4
49917A3	SOCKET ASSEMBLY, FUEL GAUGE	9	2	32-35714	TUBE, FILLER (STRAIGHT)	7	3
53972	FUEL GAUGE, ELECTRIC (ROUND FACE)	9	1	32-57116	HOSE, FILLER - DECK CAP TO FILLER TUBE	7	2
53972A1	ELECTRIC FUEL GAUGE KIT (ROUND FACE)	9	-	32-57117	HOSE, VENT - HULL FITTING TO FUEL TANK FITTING	7	6
54267A1	FUEL TANK SENDER KIT (LEFT HAND)	11	1	36-33124	DECK FUEL FILLER CAP ASSEMBLY	7	1
54268A1	FUEL TANK SENDER KIT (RIGHT HAND)	11	1	36-86664	DECK FUEL FILLER CAP ASSEMBLY	7	1
54607	HARNESS, FUEL GAUGE TO FUEL TANK SENDER (20 )	9	6	54-32523	CLAMP, VENT HOSE TO HULL FITTING AND TANK FITTING	7	9
55418	FUEL GAUGE, ELECTRIC (SQUARE FACE)	9	1	54-33127	CLAMP, FILLER HOSE TO CAP AND FILLER TUBE	7	5
55418A1	ELECTRIC FUEL GAUGE KIT (SQUARE FACE)	9	-	1233-6469	FUEL TANK (12 GALLON - VERTICAL)	13	-
58846	CAPSULE, FUEL GAUGE (MECHANICAL) (FUEL GAUGE CAPSULE)	13	1	1233-6470	FUEL TANK (12 GALLON - HORIZONTAL)	13	-
				1233-6471	FUEL TANK (18 GALLON - VERTICAL)	13	-
				1233-6472	FUEL TANK (18 GALLON - HORIZONTAL)	13	-
				1236-2232	FUEL TANK ASSEMBLY,COMPLETE (12 GALLON VERTICAL)	3	1
				1236-2233	FUEL TANK ASSEMBLY,COMPLETE (18 GALLON VERTICAL)	3	1



# PARTS INDEX

Part Number	Description	Pg.	Ref. No.	Part Number	Description	Pg.	Ref. No.
1236-2235	FUEL TANK ASSEMBLY,COMPLETE (18 GALLON HORIZONTAL) . . . . .	3	1				