



PARTS CATALOG

MERCUISER SEC G MISCELLANEOUS

SERIAL NUMBER

EXHAUST/ COOLING	MC Miscellaneous (1985 and Below)
ELECTRICAL / INSTRUMENTS	MC Miscellaneous (1985 and Below)
MISCELLANEOUS	MC Miscellaneous (1985 and Below)

TABLE OF CONTENTS:

AUXILIARY POWER TAKE-OFF KIT (MARINE 160)	42
EXHAUST ELBOW RISER KIT	4
EXHAUST ELBOW RISER KIT	14
EXHAUST EXTENSION KIT	6
EXHAUST EXTENSION KIT	16
EXHAUST FLANGE COVER KIT	18
EXHAUST WATER SHUTTER KIT	22
FLUSHING ATTACHMENTS	28
FUEL FILTER ASSEMBLY	38
HEAVY DUTY WATER PUMP KIT (MERCUISER 60)	26
HEAVY DUTY WATER PUMP KITS	40
IGNITION COIL AND BALLAST ASSEMBLY	12
MARINE ENGINE GASKET SET CHART (ILLUSTRATION ONLY) A	50
MARINE ENGINE GASKET SET CHART (ILLUSTRATION ONLY) B	52
MARK I IGNITION ANALYZER	44
MERCATHODE KIT	8
MERCATHODE KIT	62
PARTS INDEX	66
PULLEY ASSEMBLY	36
RADIO SHIELDING KITS	46
RADIO SHIELDING KITS	54
RADIO SUPPRESSION KIT	58
REMOTE OIL FILTER KIT (MARINE 250)	32
RESERVOIR ASSEMBLY, COMPLETE	2
SINGLE EXHAUST KIT	34
THRU HULL FITTING ASSEMBLY	60
TIE BAR ASSEMBLY - DUAL MERC. 120 THRU 470 W/O POWER STEER	64
TURNBUCKLE ASSEMBLY (MERCUISER 120 AND 160)	24
VOLTAGE REGULATOR KIT (TRANSISTOR)	20
WATER PICK-UP KIT	30
WATER PUMP AND BILGF PUMP ASSEMBLY	10

NOTE: Indented description indicate that these parts are included in preceeding assembly.

AR = As Required

NSS = Not Sold Separate

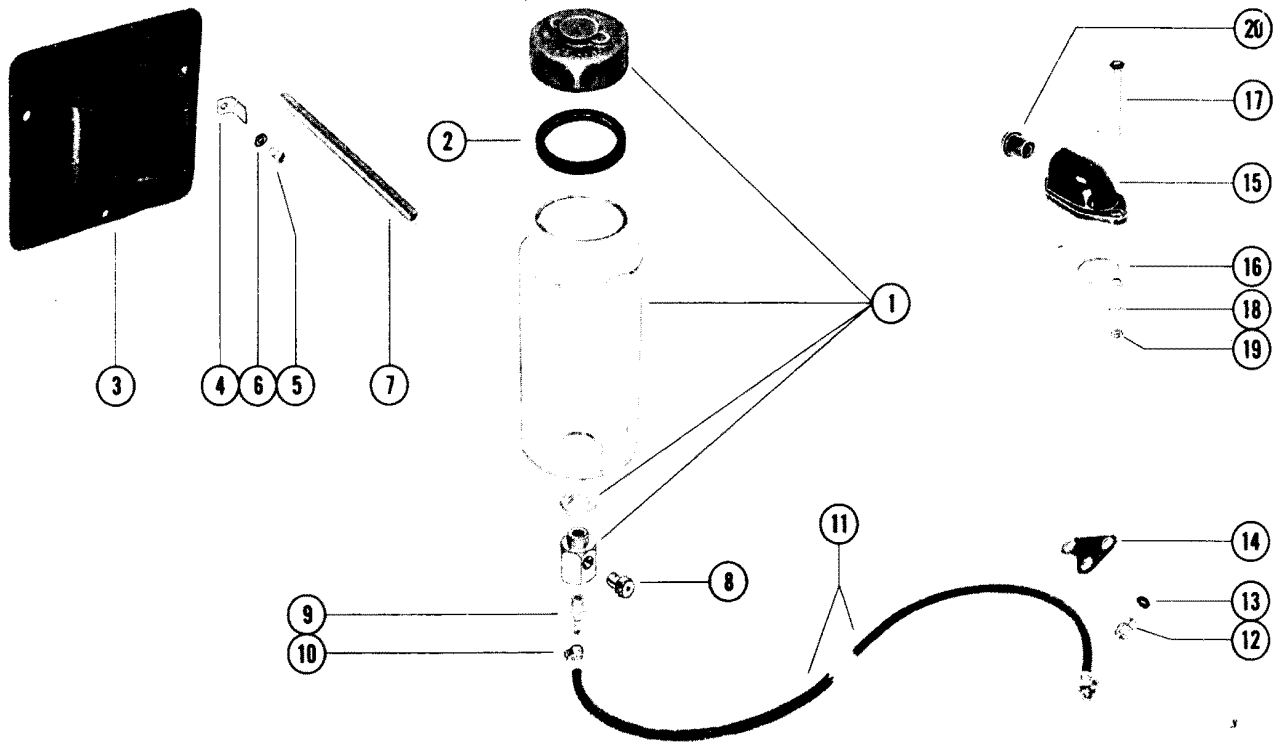
OPT = Optional

NS = Not Shown

THESE PARTS BOOKS/FICHE CARD ARE COPYRIGHTED AND MAY NOT BE DISTRIBUTED OR REPRODUCED IN ANY OTHER FORMAT BY ANYONE OTHER THAN MERCURY MARINE WITHOUT THE PRIOR WRITTEN CONSENT OF MERCURY MARINE.

THIS PAGE INTENTIONALLY LEFT BLANK

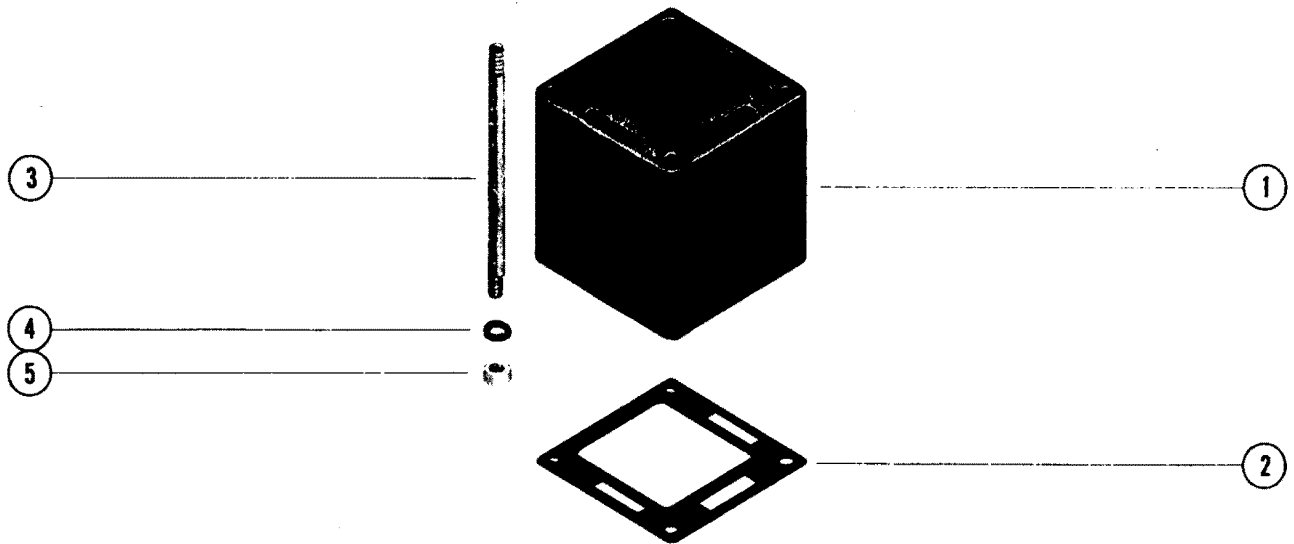
RESERVOIR ASSEMBLY, COMPLETE



RESERVOIR ASSEMBLY, COMPLETE

REF. NO.	PART NO.	SYM.	QTY.	DESCRIPTION
-	69622A2		1	RESERVOIR ASSEMBLY, COMPLETE
1	69622A1		1	BOTTLE ASSEMBLY, RESERVOIR
2	27-69620		1	GASKET, RESERVOIR BOTTLE CAP
3	67896		1	BRACKET, RESERVOIR
4	67905		2	RETAINER, RESERVOIR SPRING
5	10-22793		3	SCREW, RETAINER TO BRACKET (7/8")
6	12-58198		3	WASHER, RETAINER SCREW
7	24-67908		1	SPRING, RESERVOIR BOTTLE
8	21-67909A1		1	VALVE ASSEMBLY, RESERVOIR
9	22-67902		1	FITTING, HOSE TO RESERVOIR BOTTLE - BARBED
10	54-67732		1	CLAMP, HOSE ATTACHING
11	67898		1	HOSE, BOTTLE TO DRIVE SHAFT HOUSING
12	22-67903		2	ADAPTOR, HOSE TO DRIVE SHAFT HOUSING
13	12-20260		1	WASHER, HOSE ADAPTOR
14	67907		1	BRACKET, SUPPORT
15	36081		1	COVER, INLET - HOSE
16	27-36079		1	GASKET, INLET COVER
17	10-33684		2	SCREW, INLET COVER TO BOAT (3")
18	12-30971		2	WASHER, INLET COVER SCREW
19	11-33825		2	NUT, INLET COVER SCREW
20	23-35977		1	BUSHING, INLET COVER

EXHAUST ELBOW RISER KIT



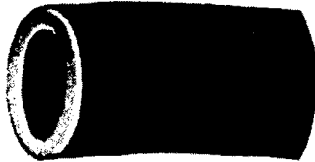
EXHAUST ELBOW RISER KIT

REF. NO.	PART NO.	SYM.	QTY.	DESCRIPTION
1	61811A4		1,	RISER KIT, EXHAUST ELBOW(MARINE 270 AND 325)
	61851A2		,1	RISER KIT, EXHAUST ELBOW(MARINE 215 AND 255)
2	27-48042		6,	GASKET, RISER TO MANIFOLD AND ELBOW
	27-52076		,6	GASKET, RISER TO MANIFOLD AND ELBOW
3	16-34713		8,	STUD, EXHAUST ELBOW TO RISER (6 3/4")
	16-58135		8,8	STUD, EXHAUST ELBOW TO RISER (4 3/4")
4	13-37459		8,8	LOCKWASHER, EXHAUST ELBOW STUD
5	11-49838		8,8	NUT, EXHAUST ELBOW STUD
-	22-32802		2,2	PLUG,PIPE (1/8-27)

EXHAUST EXTENSION KIT



1



2

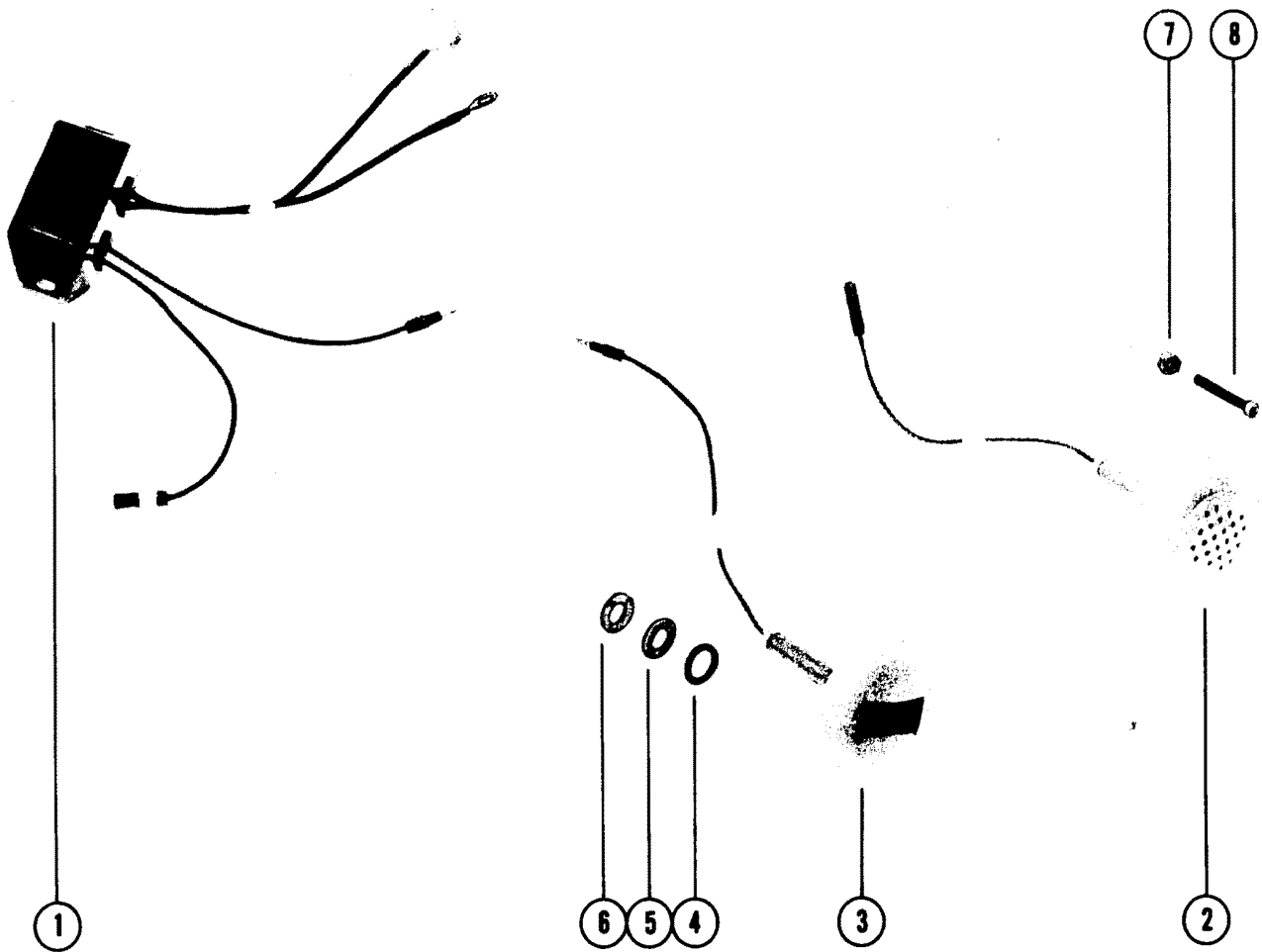


3

EXHAUST EXTENSION KIT

REF. NO.	PART NO.	SYM.	QTY.	DESCRIPTION
1	32-62364A1		1	EXHAUST EXTENSION KIT(TO BE USED WITH B-61851A2 RISER HIT}
2	32-48659-4		1	HOSE, EXHAUST (3 1/4")
3	54-33683		4	CLAMP, EXHAUST HOSE

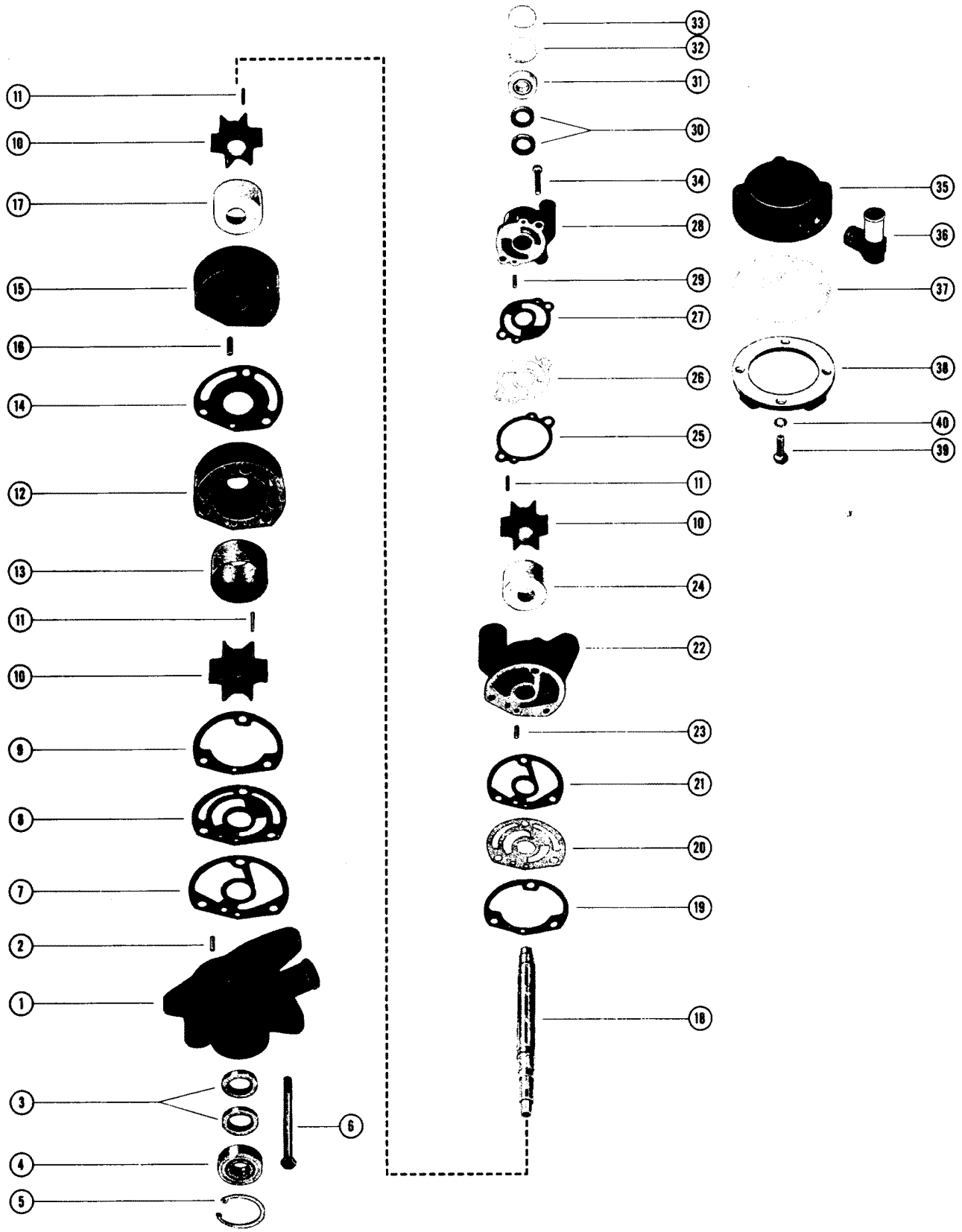
MERCATHODE KIT



MERCATHODE KIT

REF. NO.	PART NO.	SYM.	QTY.	DESCRIPTION
-	66632A2		1,	MERCATHODE KIT
-	66632A3		,1	MERCATHODE KIT
1	66632A1		1,1	MERCATHODE CONT ROLLER
2	66638A2		1,	REFERENCE ELECTRODE ASSEMBLY
	72958A2		,1	REFERENCE ELECTRODE ASSEMBLY
3	66635A2		1,	ANODE ASSEMBLY
	72957A2		,1	ANODE ASSEMBLY
4	25-21836		2,2	"O" RING, ANODE AND ELECTRODE
5	12-67093		2,	WASHER, NYLON
6	12-67094		2,	WASHER, NEOPRENE
7	11-67092		4,	NUT, ANODE AND ELECTRODE - NYLON
8	10-69163		,4	SCREW, ANODE AND ELECTRODE ATTACHING

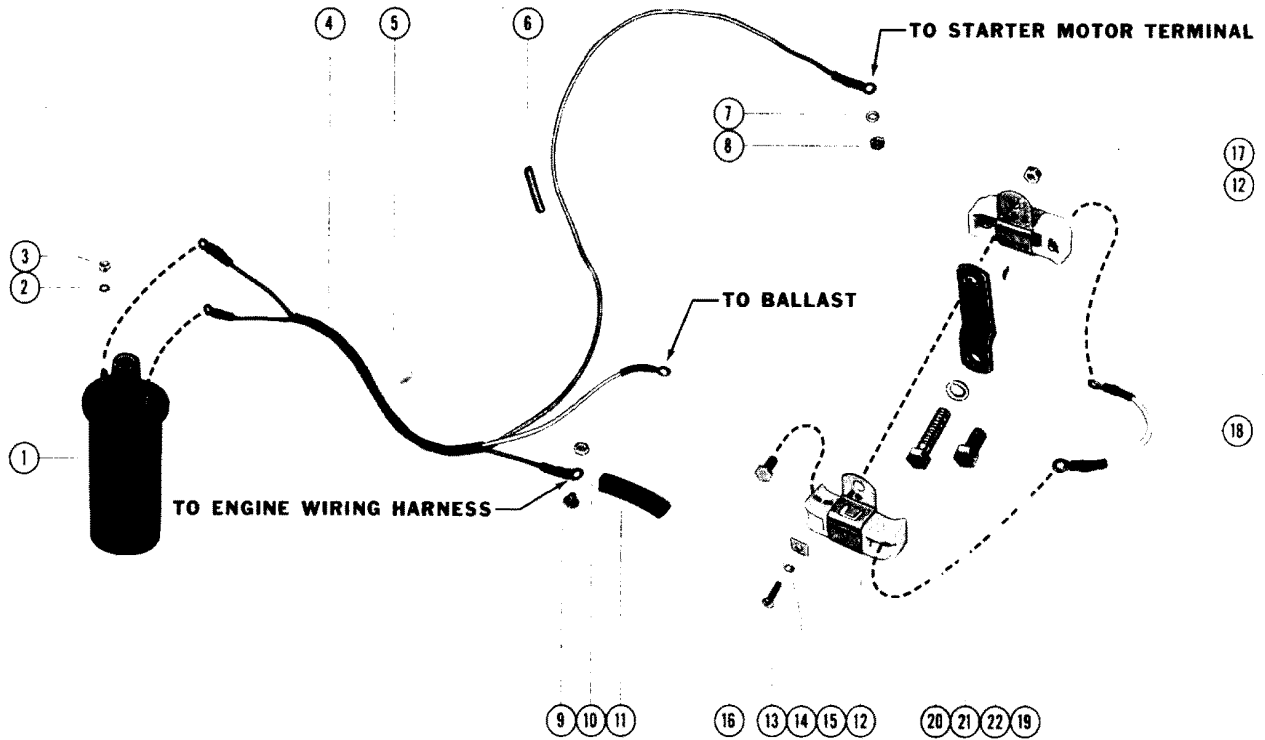
WATER PUMP AND BILGF PUMP ASSEMBLY



WATER PUMP AND BILGE PUMP ASSEMBLY

REF. NO.	PART NO.	SYM.	QTY.	DESCRIPTION
-	46-38995A3		1	WATER PUMP AND BILGE PUMP ASSEMBLY
1	46-32886A1		1	BEARING HOUSING ASSEMBLY, WATER OUTLET END
2	17-33166		2	PIN, DOWEL - BEARING HOUSING
3	26-33215		1	OIL SEAL, BEARING HOUSING
4	30-33451		1	BALL BEARING, BEARING HOUSING
5	53-33452		1	RING, SNAP - BALL BEARING TO BEARING HOUSING
6	10-39001		3	SCREW, OUTLET HOUSING TO INLET HOUSING (4 1/2")
7	27-33176		1	GASKET, OUTLET BEARING HOUSING TO FACE PLATE
8	32836		1	PLATE, FACE - OUTLET BEARING HOUSING
9	27-33175		1	GASKET, FACE PLATE TO FRONT WATER PUMP BODY
10	47-30221		3	IMPELLER, WATER PUMP
11	17-29967		3	PIN, IMPELLER DRIVE
12	46-32901A1		1	WATER PUMP BODY ASSEMBLY, FRONT
13	30915		1	INSERT, FRONT WATER PUMP BODY
14	27-33174		1	GASKET, FRONT BODY TO REAR BODY
15	46-32900A1		1	WATER PUMP BODY ASSEMBLY, REAR
16	17-33166		1	PIN, DOWEL - REAR WATER PUMP BODY
17	30915		1	INSERT, REAR WATER PUMP BODY
18	45-38996		1	DRIVE SHAFT, WATER PUMP
19	27-33175		1	GASKET, FACE PLATE TO REAR WATER PUMP BODY
20	32837		1	PLATE, FACE - BILGE PUMP BODY
21	27-33176		1	GASKET, BILGE PUMP BODY TO FACE PLATE
22	46-38995A1		1	BILGE PUMP BODY ASSEMBLY
23	17-33166		1	PIN, DOWEL - BILGE PUMP BODY
24	30915		1	INSERT, BILGE PUMP BODY
25	27-38997		1	GASKET, BILGE PUMP BODY TO FACE PLATE
26	38999		1	PLATE, FACE - BILGE PUMP BODY
27	27-39000		1	GASKET, FACE PLATE TO INLET BEARING HOUSING
28	46-38998A1		1	BEARING HOUSING ASSEMBLY, WATER INLET END
29	17-33166		1	PIN, DOWEL - BEARING HOUSING
30	26-33215		2	OIL SEAL, BEARING HOUSING
31	30-33451		1	BALL BEARING, BEARING HOUSING
32	53-33452		1	RING, SNAP - BALL BEARING TO BEARING HOUSING
33	19-33165		1	WELCH PLUG, BEARING HOUSING
34	10-22698		2	SCREW, INLET HOUSING TO BILGE PUMP BODY (1 3/4")
35	46-39010A1		1	BILGE PUMP PICKUP ASSEMBLY (SEE NOTE)
36	22-39011		1	FITTING, BILGE PUMP PICKUP
37	39013		1	FILTER SCREEN, BILGE PUMP PICKUP
38	39012		1	COVER, FILTER SCREEN TO BILGE PUMP PICKUP
39	10-24234		4	SCREW, COVER TO BILGE PUMP PICKUP (1")
40	12-24812		4	WASHER, FILTER SCREEN COVER SCREW

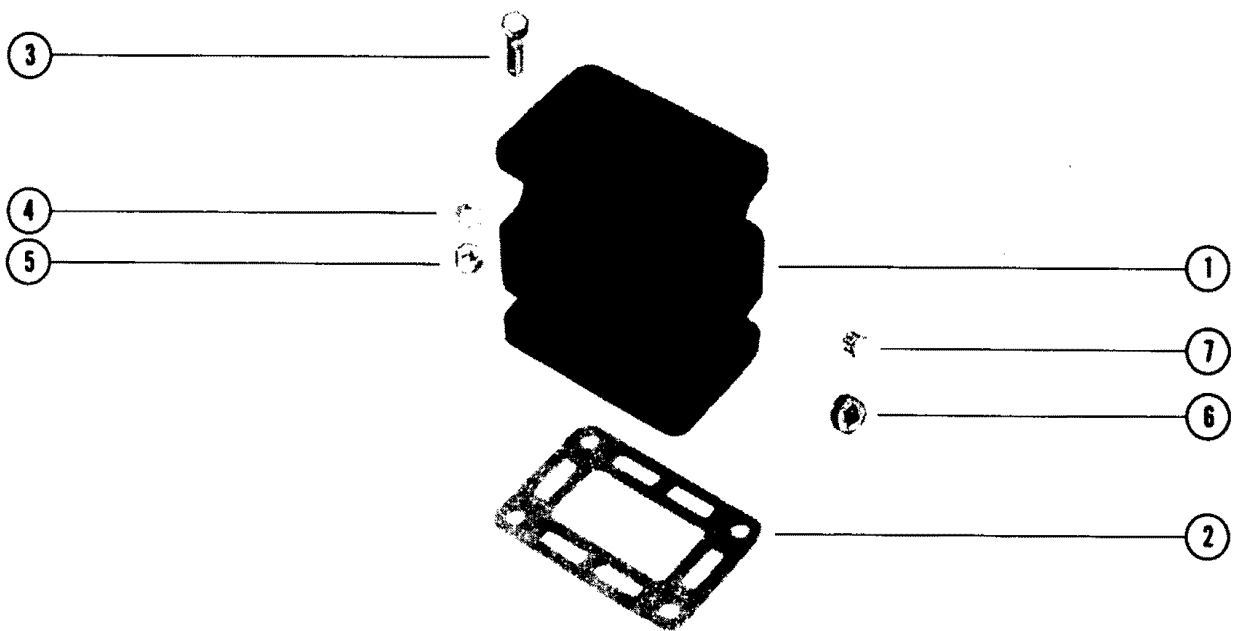
IGNITION COIL AND BALLAST ASSEMBLY



IGNITION COIL AND BALLAST ASSEMBLY

REF. NO.	PART NO.	SYM.	QTY.	DESCRIPTION
-	45129A1		1	IGNITION COIL AND BALLAST ASSEMBLY (SEE NOTE)
1	26433		1	COIL, IGNITION
2	13-26996		2	LOCKWASHER, IGNITION COIL TERMINAL
3	11-20645		2	NUT, IGNITION COIL TERMINAL
4	38912		1	HARNESS, BALLAST
5	33865		2	BINDER, BALLAST HARNESS (2 1/2")
6	38916		2	BINDER, BALLAST HARNESS (1 1/2")
7	13-26996		1	LOCKWASHER, BALLAST HARNESS TO STARTER MOTOR NUT
8	11-20645		1	NUT, BALLAST HARNESS TO STARTER MOTOR
9	10-24231		1	SCREW, BALLAST HARNESS TO ENGINE WIRING HARNESS
10	11-20645		1	NUT, BALLAST HARNESS SCREW
11	23-32914		1	SLEEVE, BALLAST HARNESS SCREW CONNECTION
12	393-1286		2	BALLAST
13	10-24609		4	SCREW, WIRING HARNESS LEADS TO BALLAST
14	13-26995		4	LOCKWASHER, WIRING HARNESS LEADS TO BALLAST SCREW
15	12-30191		4	WASHER, WIRING HARNESS LEADS TO BALLAST SCREW
16	10-21548		1	SCREW, BALLAST TO MOUNTING BRACKET (5/8")
17	11-20184		1	NUT, BALLAST TO MOUNTING BRACKET SCREW
18	33210		1	JUMPER WIRE, BALLAST TO BALLAST (WHITE - 4 3/4")
19	33211		1	BRACKET, MOUNTING - BALLAST
20	10-34613		1	SCREW, MOUNTING BRACKET TO ENGINE (1 3/4")4 CYL. ONLY
21	10-21077		1	SCREW, MOUNTING BRACKET TO ENGINE (7/8 ")6 CYL ONLY
22	13-20758		1	LOCKWASHER, MOUNTING BRACKET SCREW

EXHAUST ELBOW RISER KIT



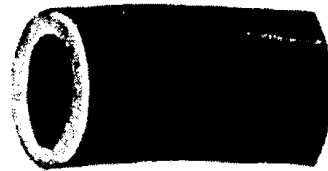
EXHAUST ELBOW RISER KIT

REF. NO.	PART NO.	SYM.	QTY.	DESCRIPTION
1	53452A2		1,	RISER KIT,EXHAUST ELBOW(MARINE 225, 250, 270, 325 AND 390)
	57952A2		,1	RISER KIT,EXHAUST ELBOW(MARINE 140, 165 AND 215)
2	27-48042		4,	GASKET, RISER TO MANIFOLD AND ELBOW
	27-52076		,4	GASKET, RISER TO MANIFOLD AND ELBOW
3	10-35871		8,	SCREW, EXHAUST ELBOW TO RISER (1 1/8")
	10-26487		,8	SCREW, EXHAUST ELBOW TO RISER (1 1/8")
4	13-37459		8,8	LOCKWASHER, EXHAUST ELBOW SCREW
5	11-49838		8,	NUT, EXHAUST ELBOW SCREW
6	22-48118		,2	PLUG, CORE - EXHAUST RISER
7	22-32802		,2	PLUG, PIPE - EXHAUST RISER (1/8- 27)

EXHAUST EXTENSION KIT



1



2

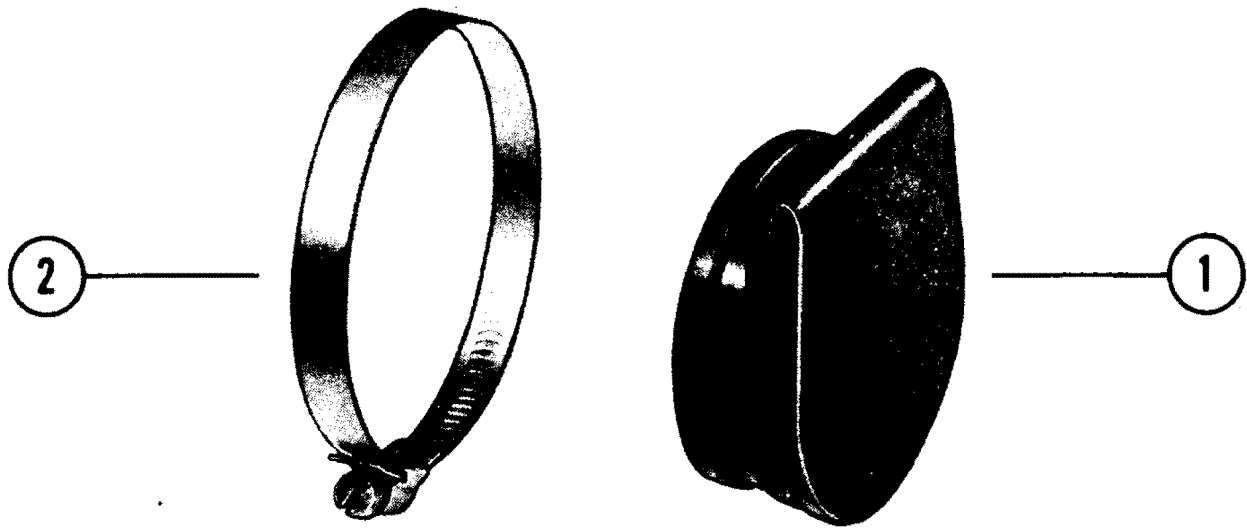


3

EXHAUST EXTENSION KIT

REF. NO.	PART NO.	SYM.	QTY.	DESCRIPTION
1	32-59077A1		1	EXHAUST EXTENSION KIT(TO BE USED IN CONJUNCTION WITH B-57952A2 RISER KIT)
2	32-48659-4		1	HOSE, EXHAUST (4")
3	54-33683		4	CLAMP, EXHAUST HOSE

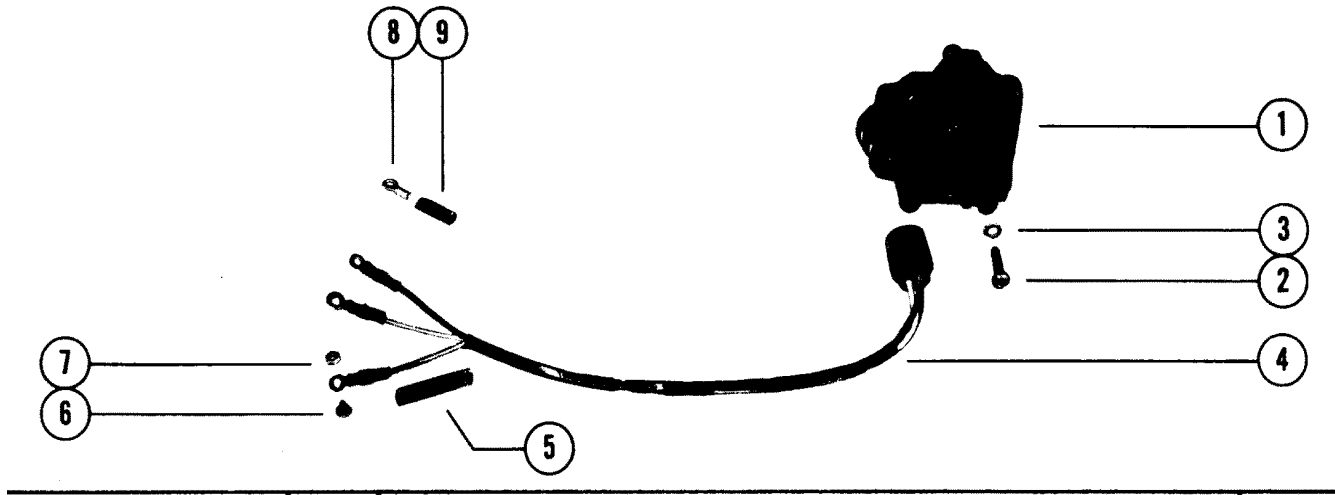
EXHAUST FLANGE COVER KIT



EXHAUST FLANGE COVER KIT

REF. NO.	PART NO.	SYM.	QTY.	DESCRIPTION
1	34765A1		1	COVER KIT, EXHAUST FLANGE
2	54-33683		2	CLAMP,COVER TO FLANGE

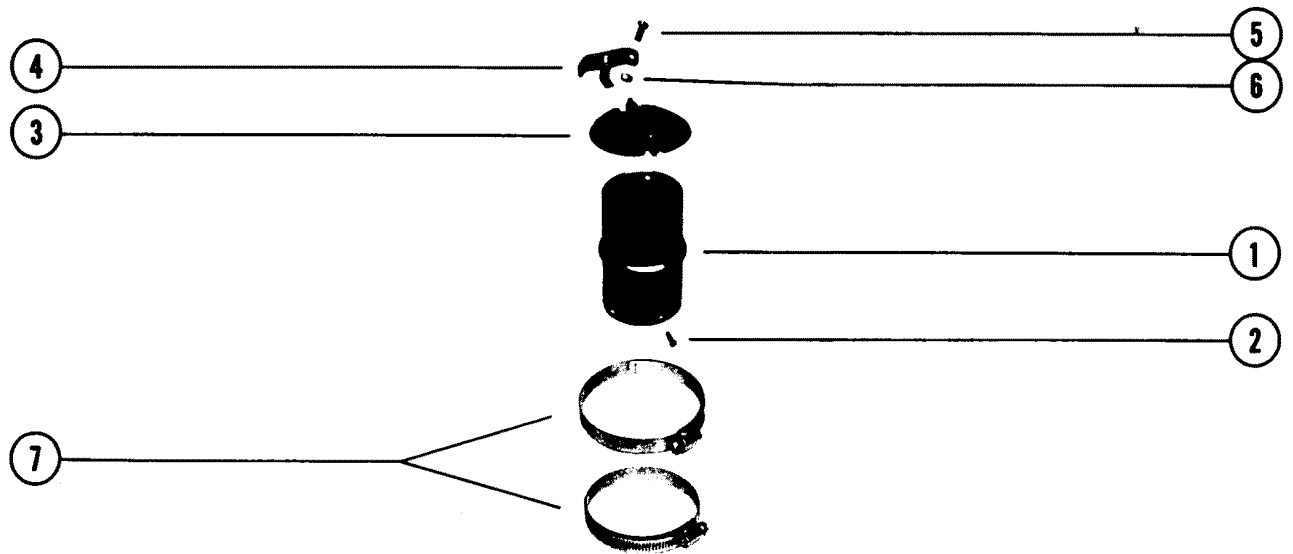
VOLTAGE REGULATOR KIT (TRANSISTOR)



VOLTAGE REGULATOR KIT (TRANSISTOR)

REF. NO.	PART NO.	SYM.	QTY.	DESCRIPTION
-	38084A1		1	VOLTAGE REGULATOR KIT, TRANSISTOR
1	37707		1	VOLTAGE REGULATOR, TRANSISTOR (NOT AS SHOWN)
2	10-37908		3	SCREW, VOLTAGE REGULATOR TO TRANSOM (1 1/4")
3	12-20028		3	WASHER, VOLTAGE REGULATOR SCREW
4	38083		1	HARNESS, VOLTAGE REGULATOR
5	23-32914		3	SLEEVE, VOLTAGE REGULATOR HARNESS (2")
6	10-24231		3	SCREW, REGULATOR HARNESS TO ENGINE HARNESS (1/4")
7	11-20645		3	NUT, REGULATOR HARNESS SCREW
8	22924		3	TERMINAL, ENGINE HARNESS LEADS (#10)
9	23-37961		3	SLEEVE, ENGINE HARNESS LEADS (7/8")

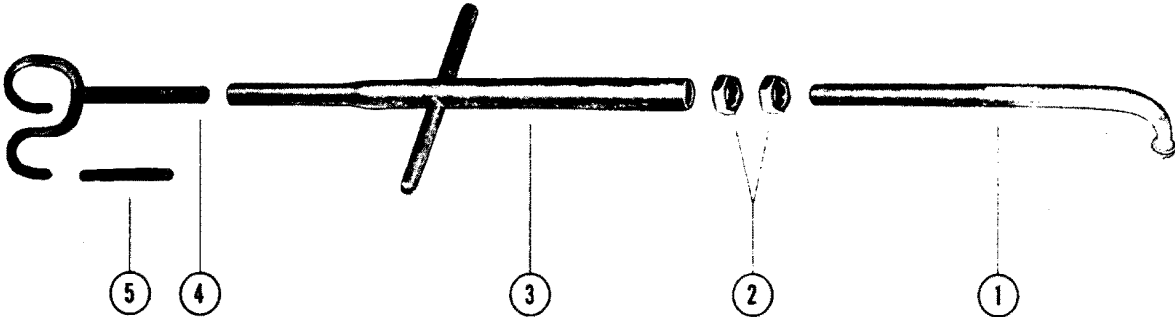
EXHAUST WATER SHUTTER KIT



EXHAUST WATER SHUTTER KIT

REF. NO.	PART NO.	SYM.	QTY.	DESCRIPTION
-	46017A1		1	EXHAUST WATER SHUTTER KIT(SEE NOTE)
1	46005A3		1	TUBE ASSEMBLY, WATER SHUTTER
2	10-25612		4	SCREW, DRIVE - TUBE ASSEMBLY
3	45586		1	SHUTTER, WATER
4	47221		2	BRACKET, SUPPORT- WATER SHUTTER
5	10-37655		4	SCREW, SUPPORT BRACKET TO TUBE ASSEMBLY (1/2")
6	11-45812		4	NUT, SUPPORT BRACKET SCREW
7	54-32739		4	CLAMP, EXHAUST HOSE
-	35138A5		-	MARINE 110 AND 120 ALUMINUM
-	58759A4		-	MARINE 140, 150 AND 160 ALUMINUM
-	39950A4		-	MARINE 110 AND 120 CAST IRON
-	58759A4		-	MARINE 140, 150 AND 160 CAST IRON

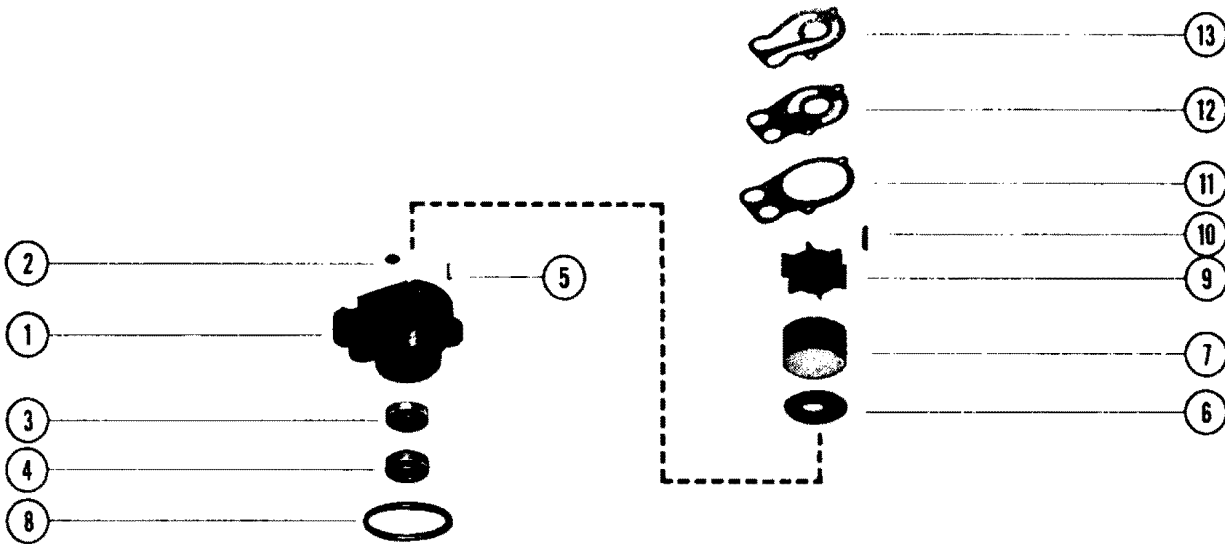
TURNBUCKLE ASSEMBLY (MERCUISER 120 AND 160)



TURNBUCKLE ASSEMBLY (MERCUISER 120 AND 160)

REF. NO.	PART NO.	SYM.	QTY.	DESCRIPTION
-	32657A3		1	TURNBUCKLE ASSEMBLY, COMPLETE (SEE NOTE)
1	32656		1	HOOK, TURNBUCKLE - UPPER (GIMBAL HOUSING)
2	11-21612		2	NUT, ADJUSTING - UPPER HOOK
3	32657A1		1	TURNBUCKLE ASSEMBLY, UPPER AND LOWER HOOKS
4	45601A1		1	HOOK ASSEMBLY, LOWER (DRIVE SHAFT HOUSING)
5	23-45905		2	SLEEVE, LOWER HOOK

HEAVY DUTY WATER PUMP KIT (MERCURISER 60)

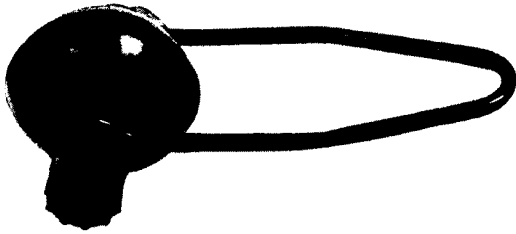


HEAVY DUTY WATER PUMP KIT (MERCUISER 60)

REF. NO.	PART NO.	SYM.	QTY.	DESCRIPTION
-	46-38958A5		1	HEAVY DUTY WATER PUMP KIT (MERCUISER 60)
1	46-38958A4		1	WATER PUMP BODY ASSEMBLY
2	27-38957		1	GASKET, TAB SEALING - WATER PUMP BODY
3	26-79831		1	OIL SEAL, WATER PUMP BODY (UPPER)
4	26-23300		1	OIL SEAL, WATER PUMP BODY (LOWER)
5	17-35973		2	PIN, DOWEL - WATER PUMP BODY TO TOP COVER
6	45050		1	PLATE, BACK - WATER PUMP BODY
7	23-45051		1	SLEEVE, WATER PUMP BODY
8	25-38099		1	"O" RING, WATER PUMP BODY
9	47-65959		1	IMPELLER, WATER PUMP
10	17-38102		1	PIN, IMPELLER DRIVE
11	27-45053		1	GASKET, WATER PUMP BODY TO FACE PLATE
12	45052		1	PLATE, FACE - WATER PUMP
13	27-38856		1	GASKET, FACE PLATE TO TOP COVER
-	92-36088-1		1	LOCTITE (.2CC TUBE)

FLUSHING ATTACHMENTS

FLUSHING ATTACHMENTS

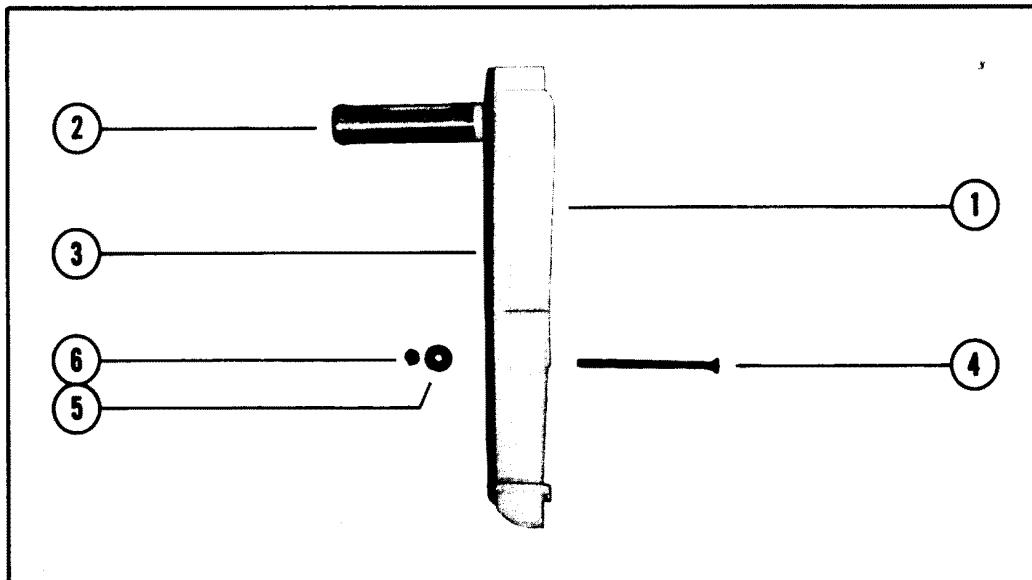


C-73971A1



C-24789A1 (aluminum water pump)
C-48755A1 (plastic water pump)

WATER PICK-UP KIT

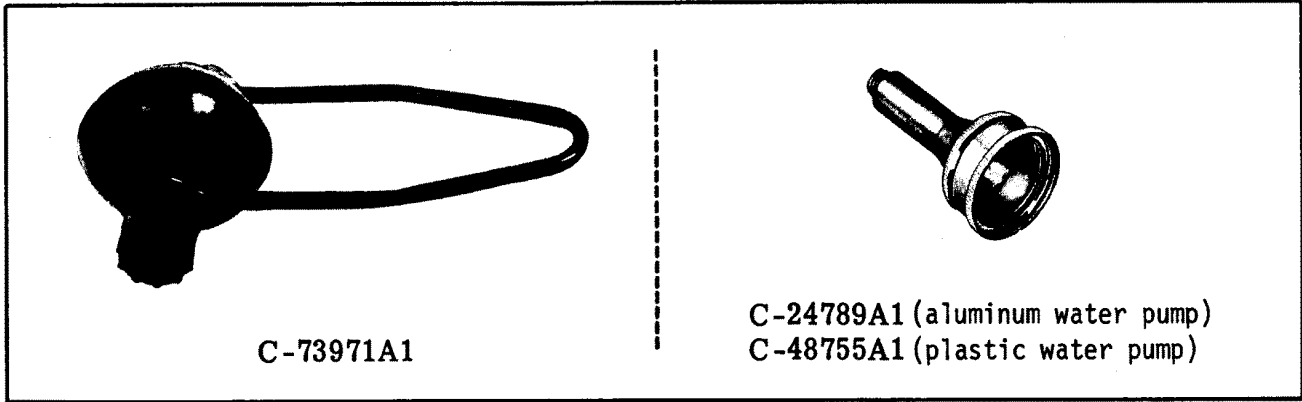


FLUSHING ATTACHMENTS

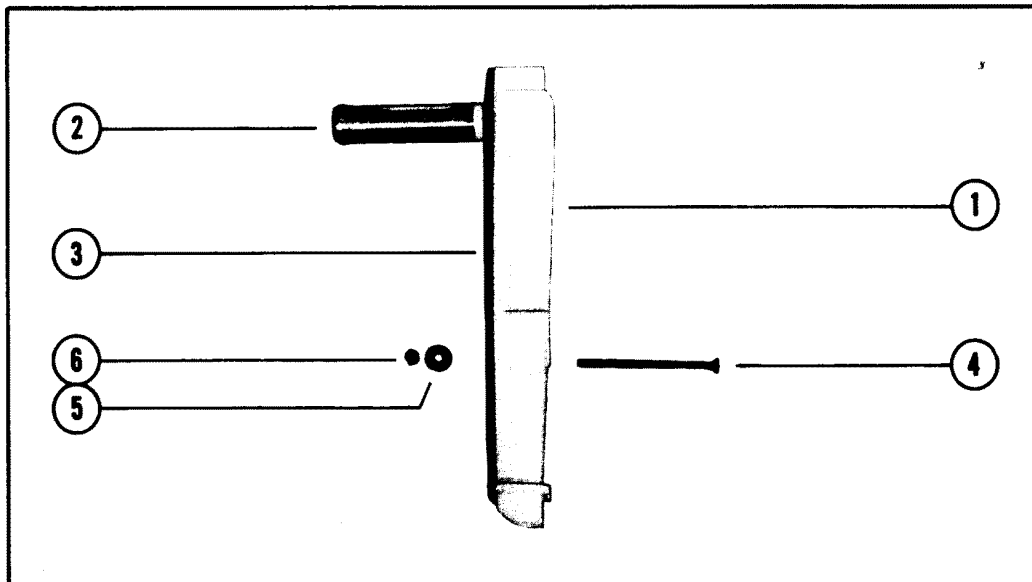
REF. NO.	PART NO.	SYM.	QTY.	DESCRIPTION
-	24789A1		-	ALUMINUM WATER PUMP
-	48755A1		-	PLASTIC WATER PUMP

WATER PICK-UP KIT

FLUSHING ATTACHMENTS



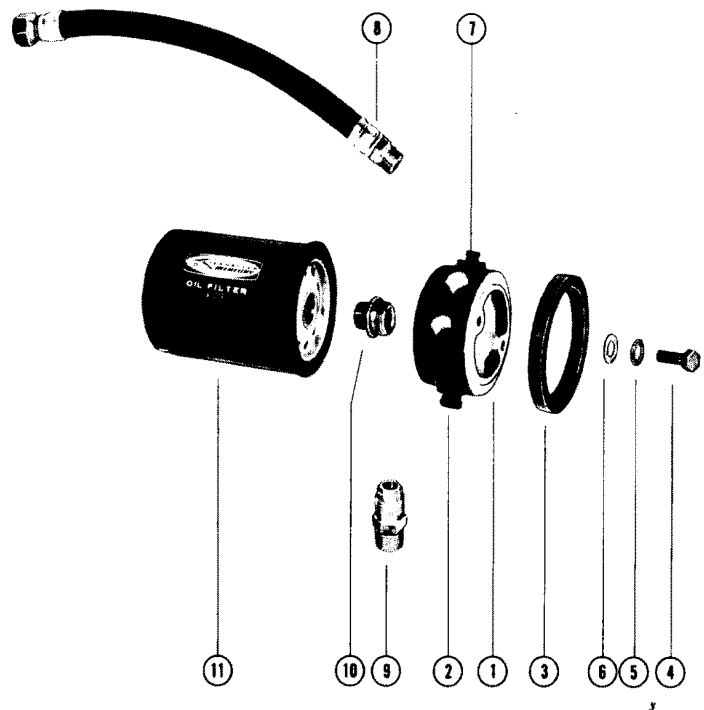
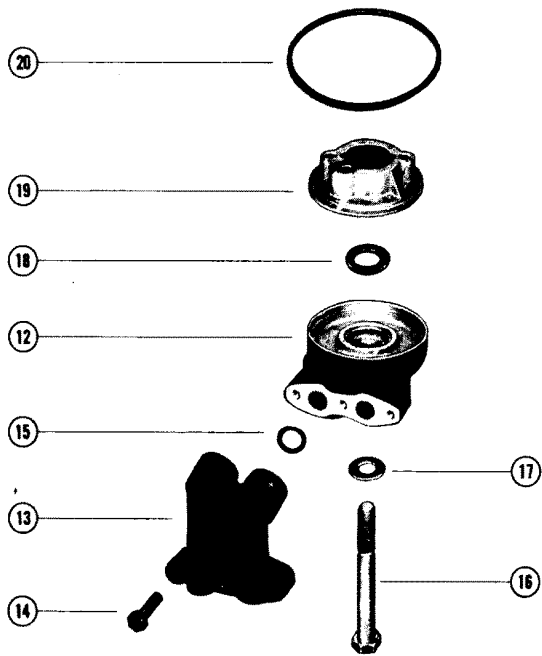
WATER PICK-UP KIT



WATER PICK-UP KIT

REF. NO.	PART NO.	SYM.	QTY.	DESCRIPTION
1	34160A2		1	WATER PICK-UP KIT, TRANSOM MOUNTED
2	34169		1	TUBE, WATER PICK-UP
3	27-49571		1	GASKET, WATER PICK-UP TO TRANSOM
4	10-29672		3	SCREW, WATER PICK-UP TO TRANSOM
5	12-25908		3	WASHER, WATER PICK-UP TO TRANSOM SCREW
6	11-20361		3	NUT, WATER PICK-UP TRANSOM SCREW
-	32-55483		1	HOSE, PUMP TO PICK-UP TUBE (1" I. D.)
-	54-32780		2	CLAMP, HOSE TO WATER PUMP/WATER PICK-UP TUBE

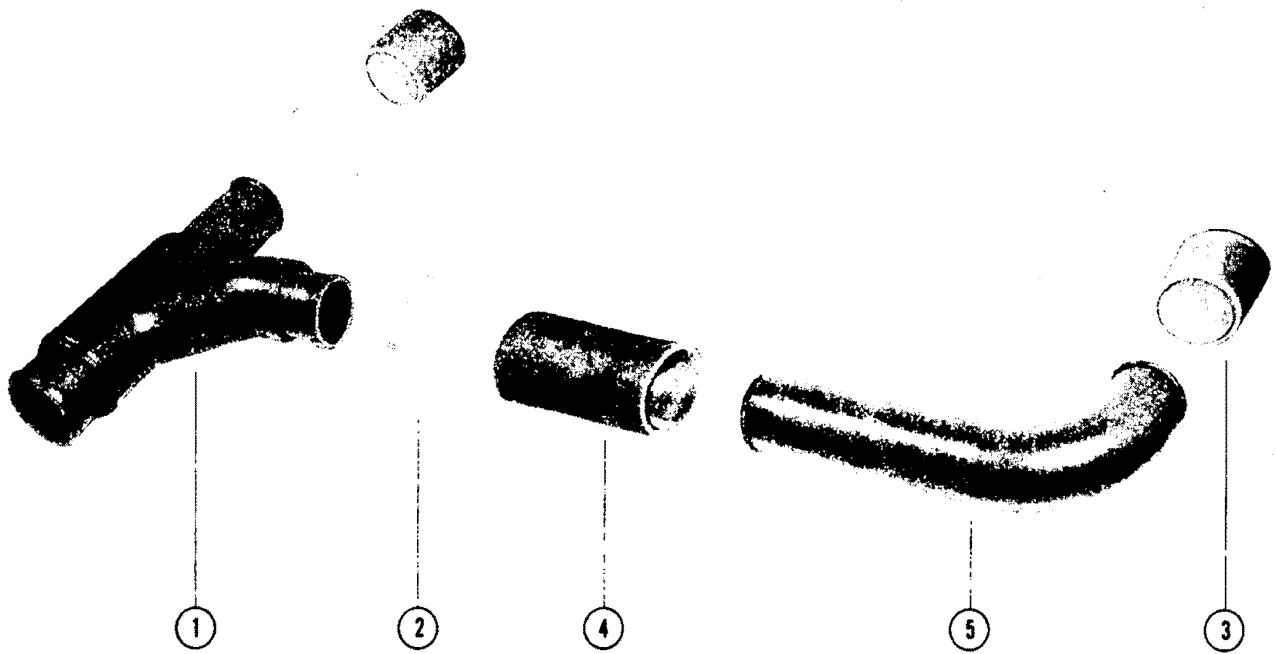
REMOTE OIL FILTER KIT (MARINE 250)



REMOTE OIL FILTER KIT (MARINE 250)

REF. NO.	PART NO.	SYM.	QTY.	DESCRIPTION
-	47486A1		1	REMOTE OIL FILTER KIT SERIAL 02314301-02639854
1	48504		1	ADAPTOR, OIL FILTER
2	22-36373		1	PLUG, PIPE - OIL FILTER ADAPTOR (3/8- 18)
3	12-48506		1	WASHER, INSULATOR - ADAPTOR TO ELECTRIC PANEL
4	10-47954		2	SCREW, OIL FILTER ADAPTOR TO ELECTRIC PANEL (1 5/8")
5	13-37459		2	LOCKWASHER, OIL FILTER ADAPTOR SCREW
6	12-25970		2	WASHER, OIL FILTER ADAPTOR SCREW
7	22-32802		1	PLUG, PIPE - OIL FILTER ADAPTOR (1/8- 27)
8	32-48244A1		1	HOSE, OIL RETURN (16")
	32-53311A1		1	HOSE, OIL INLET (16 1/2")
9	22-48245		1	CONNECTOR, OIL FILTER ADAPTOR TO OIL HOSE
10	32720		1	FITTING, OIL FILTER TO ADAPTOR
11	52731		1	OIL FILTER
12	47486		1	ADAPTOR, OIL
13	47543		1	HOUSING, OIL TRANSFER
14	10-22698		3	SCREW, OIL TRANSFER HOUSING TO OIL ADAPTOR (1 3/4")
15	25-38101		2	"O" RING, OIL TRANSFER HOUSING
16	10-47409		1	SCREW, OIL ADAPTOR TO CYLINDER BLOCK (5")
17	12-47523		1	WASHER, OIL ADAPTOR SCREW
18	12-47524		1	WASHER, SEALING - OIL ADAPTOR
19	52514		1	ADAPTOR AND VALVE ASSEMBLY
20	25-33756		1	RING, SEALING - ADAPTOR AND VALVE

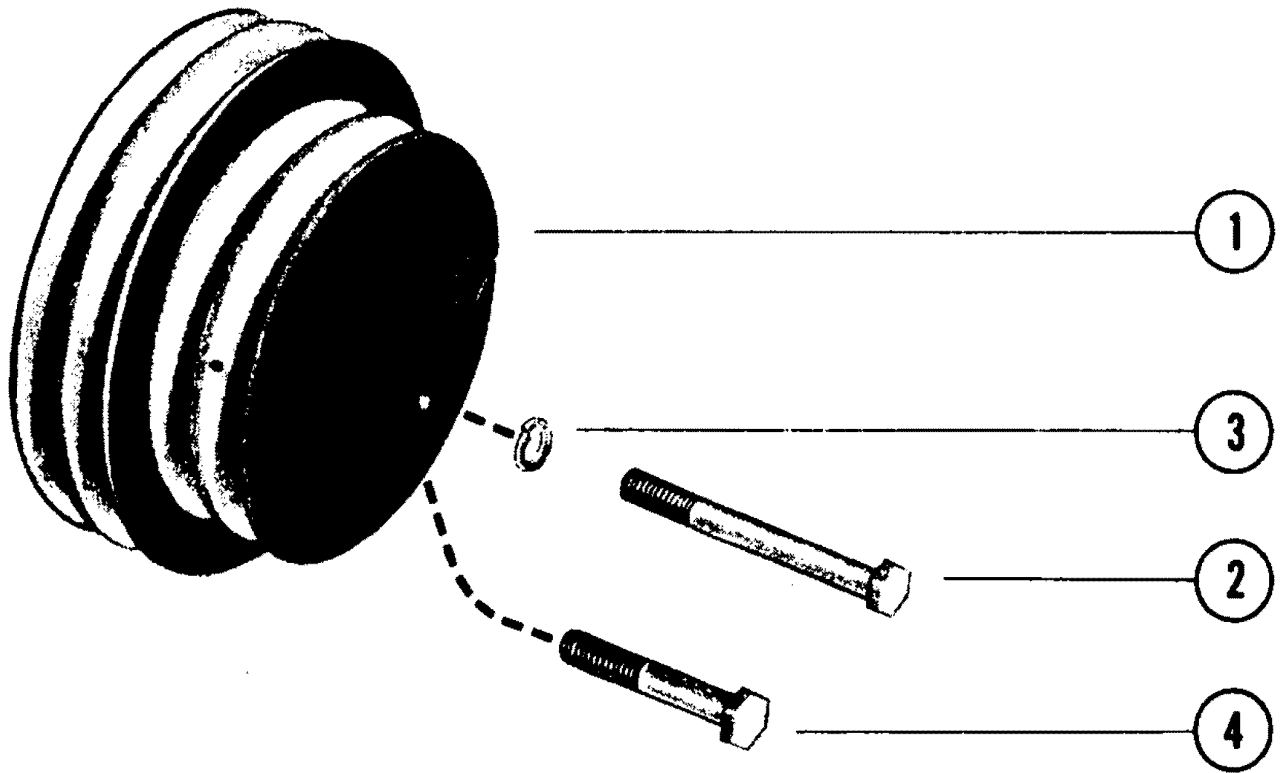
SINGLE EXHAUST KIT



SINGLE EXHAUST KIT

REF. NO.	PART NO.	SYM.	QTY.	DESCRIPTION
-	48640A1		1	SINGLE EXHAUST KIT
1	48640		1	Y-PIPE, EXHAUST
2	54-33683		12	CLAMP, EXHAUST HOSE
3	32-48659-1		2	HOSE, EXHAUST PIPE TO ENGINE (4")
4	32-48659-3		1	HOSE, EXHAUST PIPE (7 1/2")
5	48641		1	PIPE EXHAUST

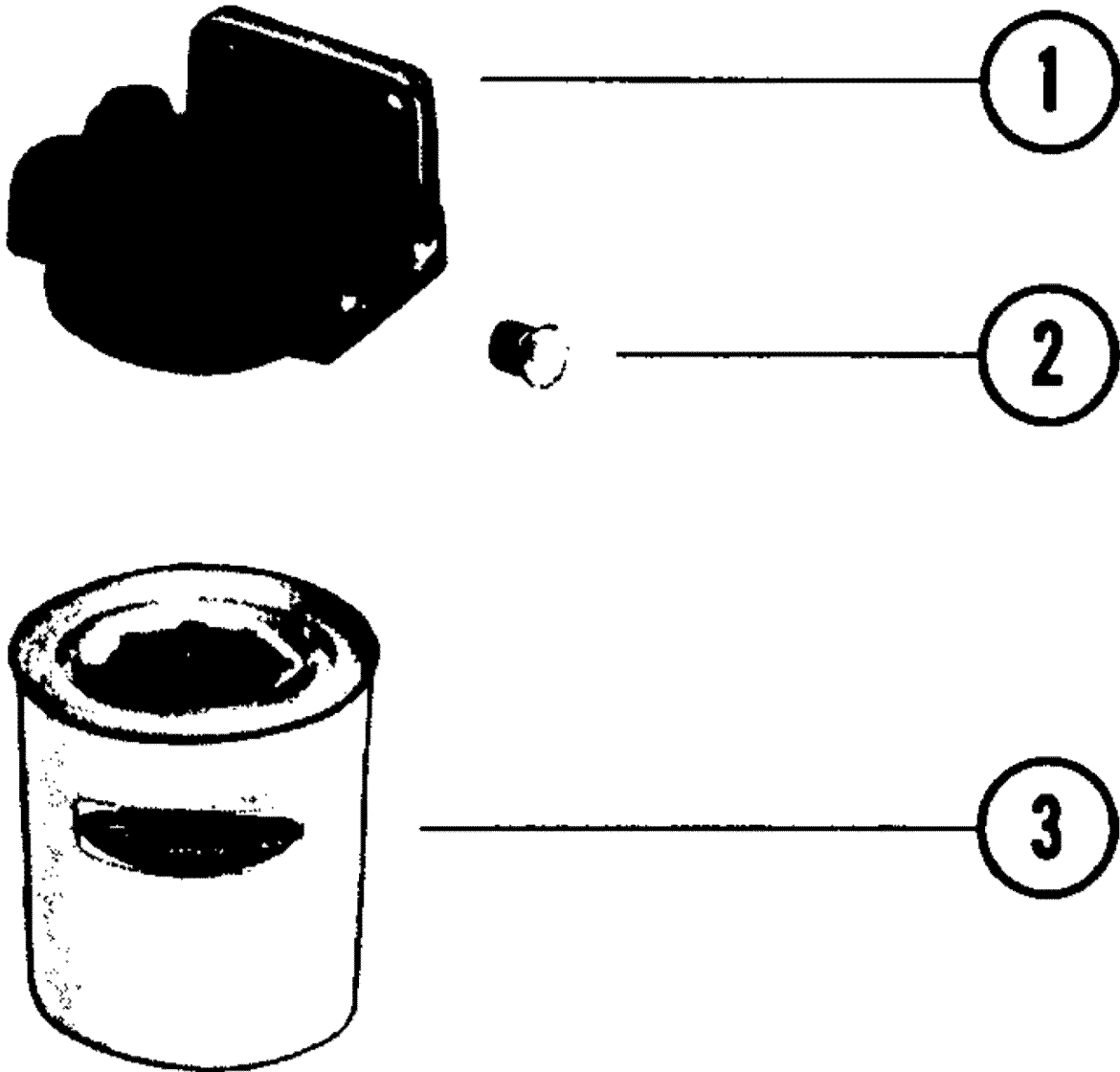
PULLEY ASSEMBLY



PULLEY ASSEMBLY

REF. NO.	PART NO.	SYM.	QTY.	DESCRIPTION
1	48085A1		1,,	PULLEY ASSEMBLY, AUXILIARY DRIVE SEE NOTE
	48086A1		,1,	PULLEY ASSEMBLY, AUXILIARY DRIVE SEE NOTE
	56331A1		,,1	PULLEY ASSEMBLY, AUXILIARY DRIVE SEE NOTE
2	10-48989		3,,	SCREW, PULLEY ATTACHING (47R)
	10-48308		,3,	SCREW, PULLEY ATTACHING (3 3/4")
	10-52693		,,3	SCREW, PULLEY ATTACHING (5")
3	13-37459		3,3,	LOCKWASHER, PULLEY SCREW
	13-35048		,,3	LOCKWASHER, PULLEY SCREW
	12-20553		,,3	WASHER, PULLEY SCREW
4	10-32515		,1,	SCREW, PULLEY AND BALANCER TO CRANKSHAFT

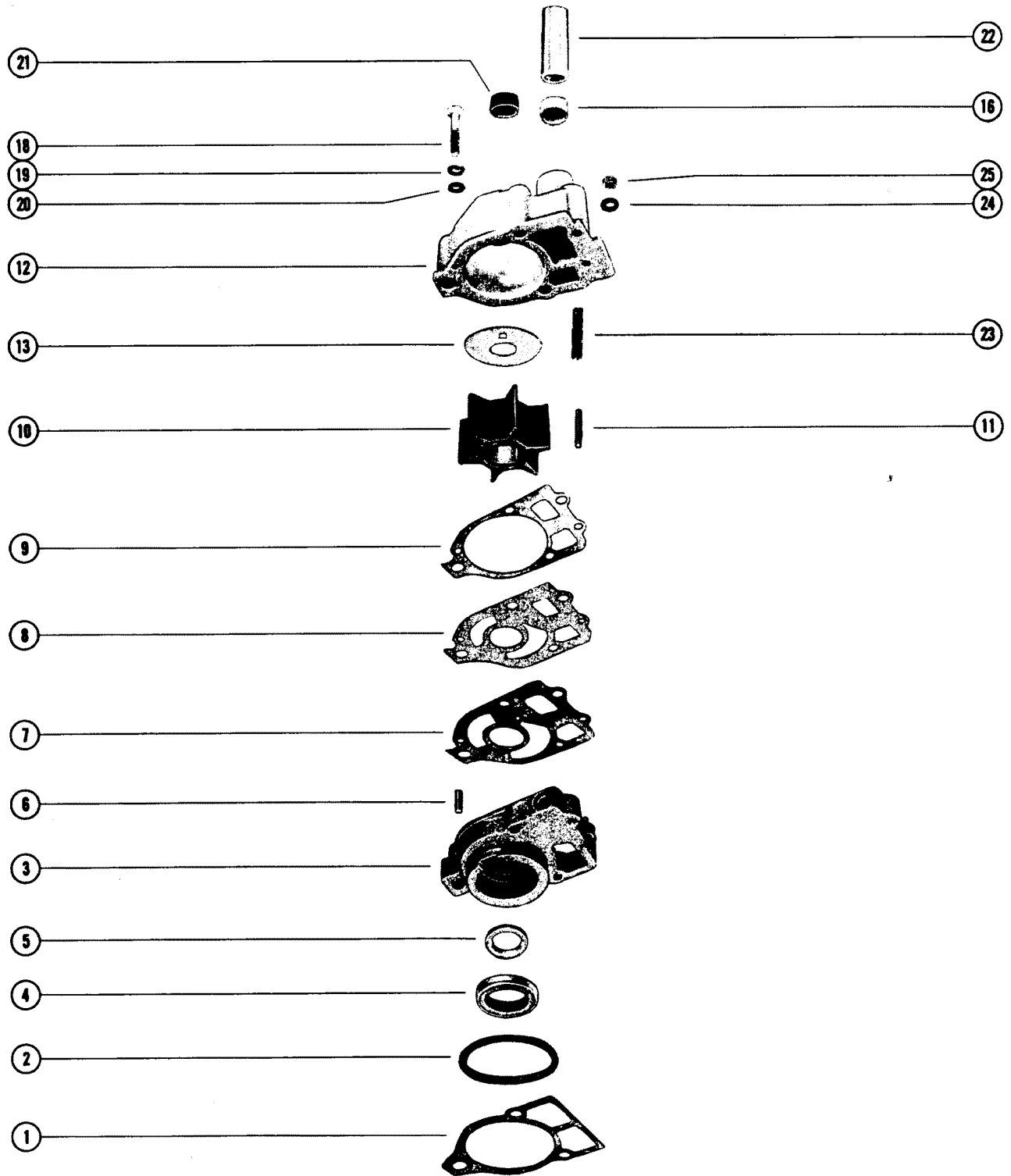
FUEL FILTER ASSEMBLY



FUEL FILTER ASSEMBLY

REF. NO.	PART NO.	SYM.	QTY.	DESCRIPTION
-	35-60494A1		1	FUEL FILTER ASSEMBLY
1	55481		1	BASE, FUEL FILTER
2	22-36382		2	PLUG, FUEL FILTER BASE
3	35-60494		1	FUEL FILTER

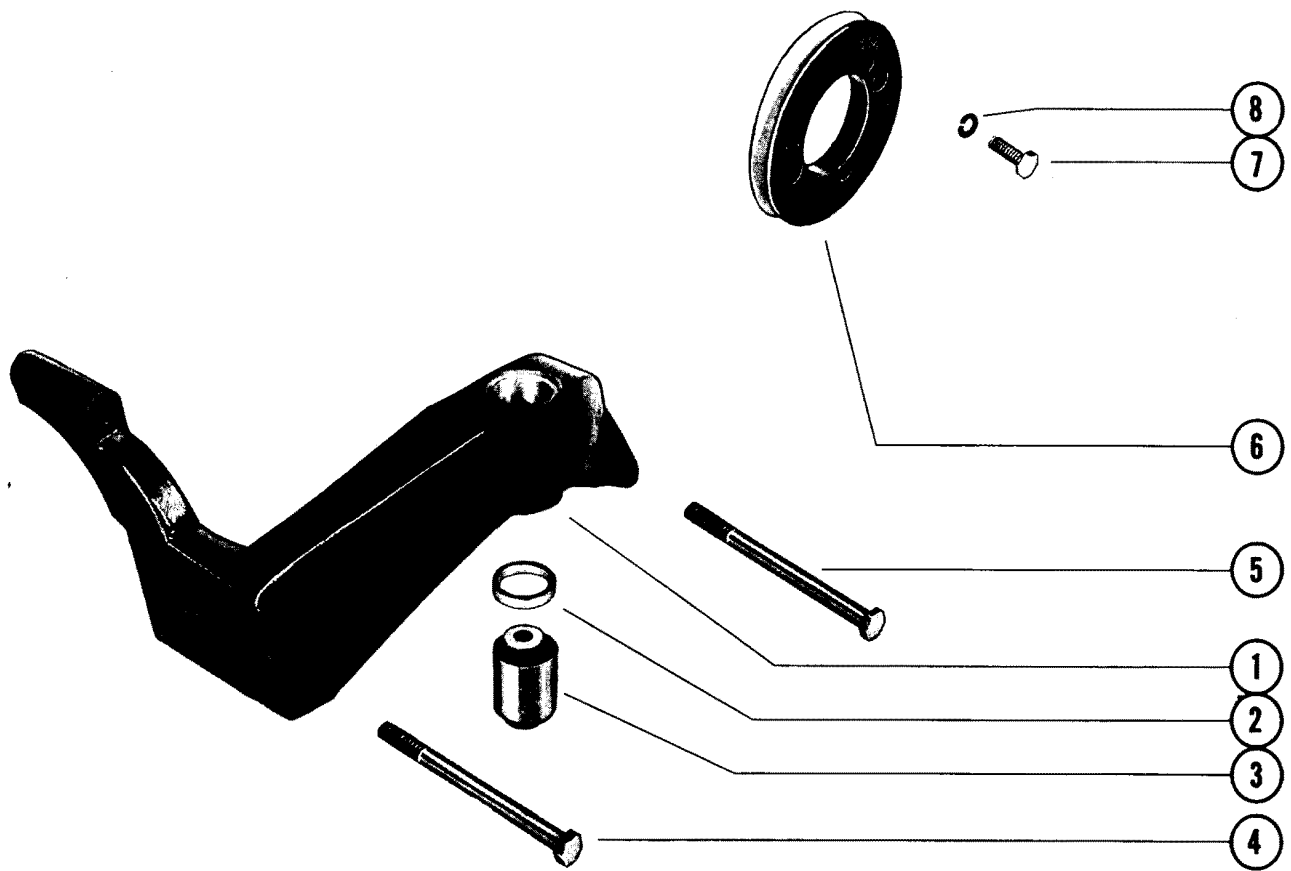
HEAVY DUTY WATER PUMP KITS



HEAVY DUTY WATER PUMP KITS

REF. NO.	PART NO.	SYM.	QTY.	DESCRIPTION
-	46-48743A3		1,	HEAVY DUTY WATER PUMP KIT(PLASTIC - BALL BEARING ON DRIVE SHAFT)
-	46-48743A4		,1	HEAVY DUTY WATER PUMP KIT(PLASTIC - TAPERED BRG. ON DRIVE SHAFT)
1	27-32438		1,	GASKET, WATER PUMP BASE TO GEAR HOUSING
	27-33146		,*1	GASKET, WATER PUMP BASE TO GEAR HOUSING
2	25-33145		,1	"O" RING, WATER PUMP BASE
3	46-48758A1		1,	WATER PUMP BASE ASSEMBLY
	46-48762A1		,1	WATER PUMP BASE ASSEMBLY
4	26-31489		1,	OIL SEAL, WATER PUMP BASE - LOWER
	26-33144		,1	OIL SEAL, WATER PUMP BASE - LOWER
5	26-31507		1,1	OIL SEAL, WATER PUMP BASE
6	17-35973		2,2	PIN, DOWEL - WATER PUMP BASE TO WATER PUMP BODY
2	25-30224		1,	"O" RING, WATER PUMP BASE
7	27-32433		1,	GASKET, LOWER - WATER PUMP BASE TO FACE PLATE
	27-32433		,1	GASKET, LOWER - WATER PUMP BASE TO FACE PLATE
8	45048		1,	PLATE, FACE - WATER PUMP
	45048		,1	PLATE, FACE - WATER PUMP
9	27-32434		1,	GASKET, UPPER - FACE PLATE TO WATER PUMP BODY
	27-32434		,1	GASKET, UPPER - FACE PLATE TO WATER PUMP BODY
10	47-65960		1,	IMPELLER, WATER PUMP
	47-65960		,1	IMPELLER, WATER PUMP
11	17-29967		1,	PIN, IMPELLER DRIVE
	17-29967		,1	PIN, IMPELLER DRIVE
12	46-64141A1		1,	WATER PUMP BODY ASSEMBLY
	46-64141A1		,1	WATER PUMP BODY ASSEMBLY
13	53168		1,	PLATE, BACK - WATER PUMP BODY
	53168		,1	PLATE, BACK - WATER PUMP BODY
16	26-38970		1,1	SEAL, RUBBER - WATER INLET TUBE
19	13-26992		1,	LOCKWASHER, WATER PUMP SCREW
20	12-38753		3,	WASHER, WATER PUMP SCREW
18	10-30720		1,1	SCREW, WATER PUMP TO GEAR HOUSING (2 1/4")
19	12-36001		,1	WASHER, WATER PUMP SCREW
21	25-30271		,1	RING, RUBBER - CENTRIFUGAL SLINGER (DRIVE SHAFT)
22	23-29804		,1	SLEEVE, WATER TUBE GUIDE
23	16-56297		,1	STUD, WATER PUMP TO GEAR HOUSING (3 3/8")
	16-30667		,2	STUD, WATER PUMP TO GEAR HOUSING (3 1/8")
24	12-29245		,3	WASHER, WATER PUMP STUD
25	11-36069		,2	NUT, WATER PUMP STUD (1/4-28)
	11-45592		,1	NUT, WATER PUMP STUD (5/16-24)
-	92-58295A1		1,	LOCTITE (.2CC TUBE)
-	92-58295A1		,1	LOCTITE (.2CC TUBE)

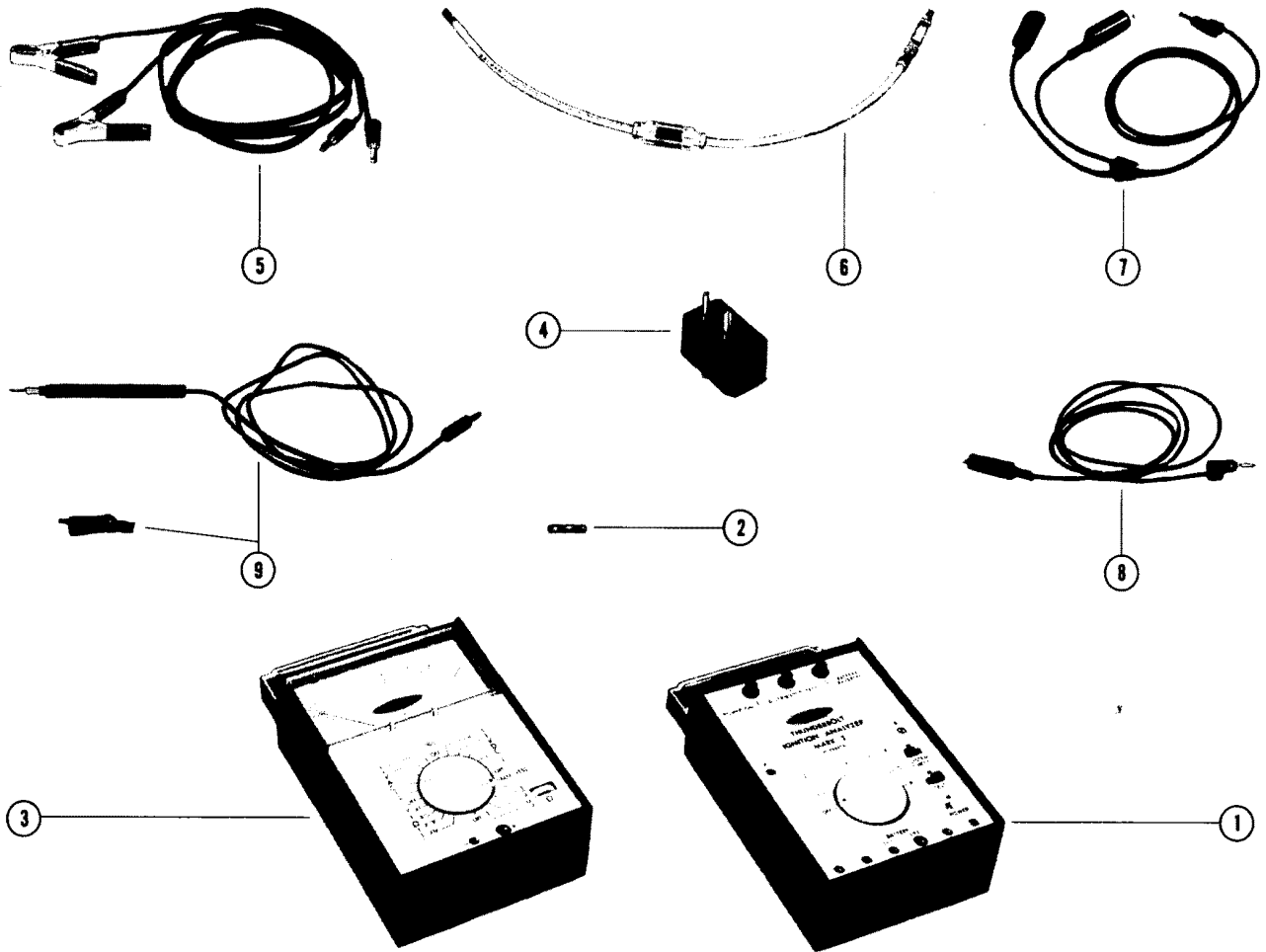
AUXILIARY POWER TAKE-OFF KIT (MARINE 160)



AUXILIARY POWER TAKE-OFF KIT (MARINE 160)

REF. NO.	PART NO.	SYM.	QTY.	DESCRIPTION
-	38048A3		1	AUXILIARY POWER TAKE-OFF KIT (MARINE 160)
1	46757A1		1	BRACKET ASSEMBLY, FRONT MOUNTING
2	23-35903		1	SPACER, FRONT MOUNTING BRACKET
3	32833		1	MOUNT, FRONT MOUNTING BRACKET
4	10-36359		2	SCREW, MOUNTING BRACKET ATTACHING (7/16-14 X 5")
5	10-36355		2	SCREW, MOUNTING BRACKET ATTACHING (3/8 -16 X 5 1/4 ")
6	46761		1	PULLEY, CRANKSHAFT HUB
7	10-21951		3	SCREW, PULLEY TO HUB (3/8-24 X 1 1/4")
8	13-37459		3	LOCKWASHER, PULLEY SCREW (3/8")

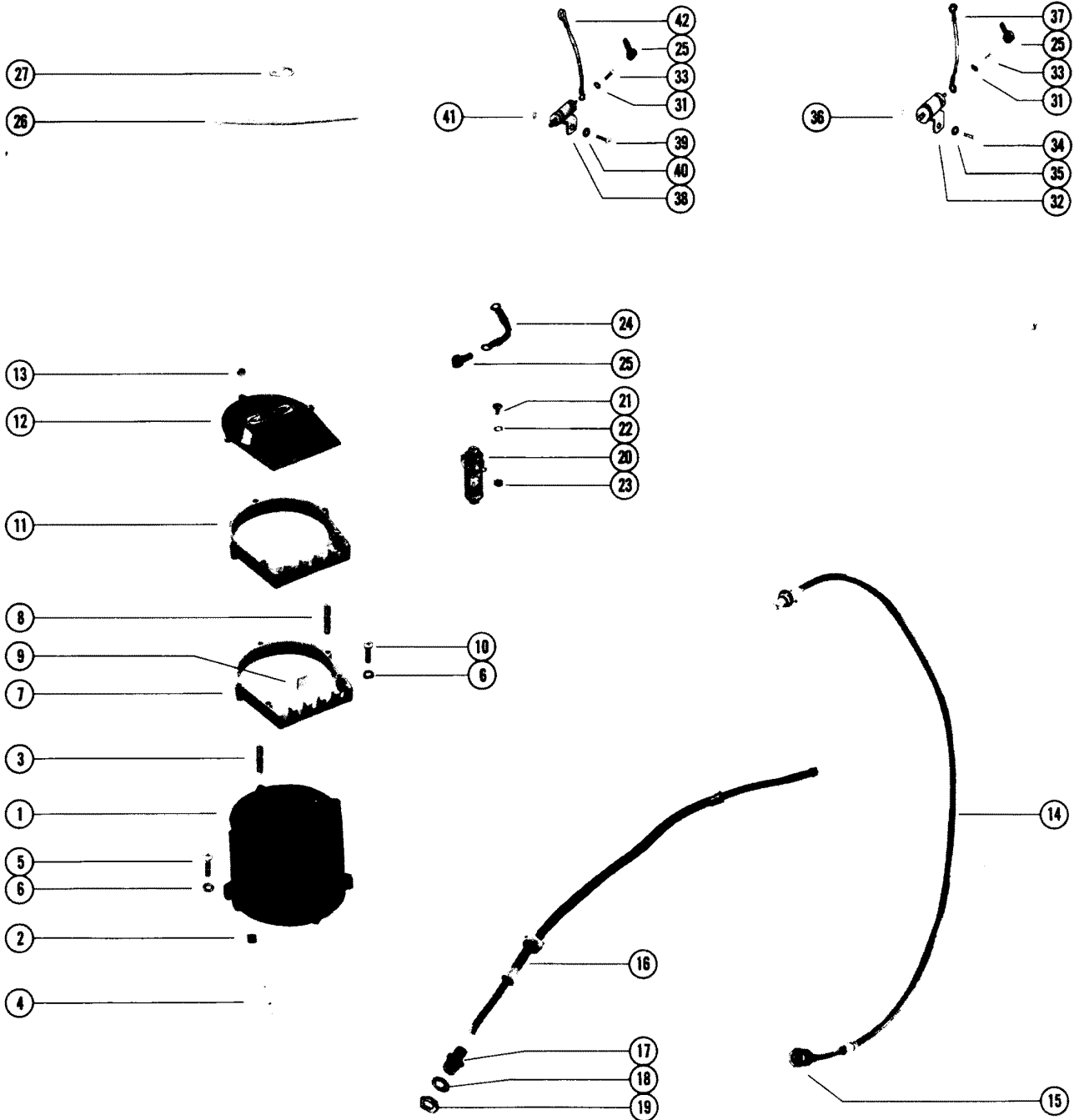
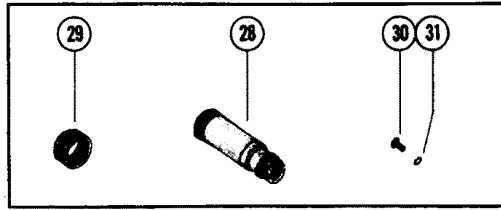
MARK I IGNITION ANALYZER



MARK I IGNITION ANALYZER

REF. NO.	PART NO.	SYM.	QTY.	DESCRIPTION
-	91-62563A1		1	IGNITION ANALYZER ASSEMBLY
1	91-64645A1		1	TESTER ASSEMBLY
2	88-65000		1	FUSE, TESTER
3	91-62562		1	MULTI -METER
2	88-64999		1	FUSE, MULTI-METER
4	64492A1		1	ADAPTOR ASSEMBLY
5	84-64608A1		1	BATTERY CABLE ASSEMBLY
6	91-63998A1		1	SPARK CHAMBER
7	84-64318		1	BENCH TEST LEAD
8	84-64316		1	TEST LEAD, RED
	84-64317-1		1	TEST LEAD, YELLOW
	84-64317-2		1	TEST LEAD, GREEN
	84-64317-3		1	TEST LEAD, BLACK
	84-64317-4		1	TEST LEAD, WHITE
9	84-65066		1	TEST LEAD SET, RED AND BLACK WITH ALLIGATOR CLIP

RADIO SHIELDING KITS

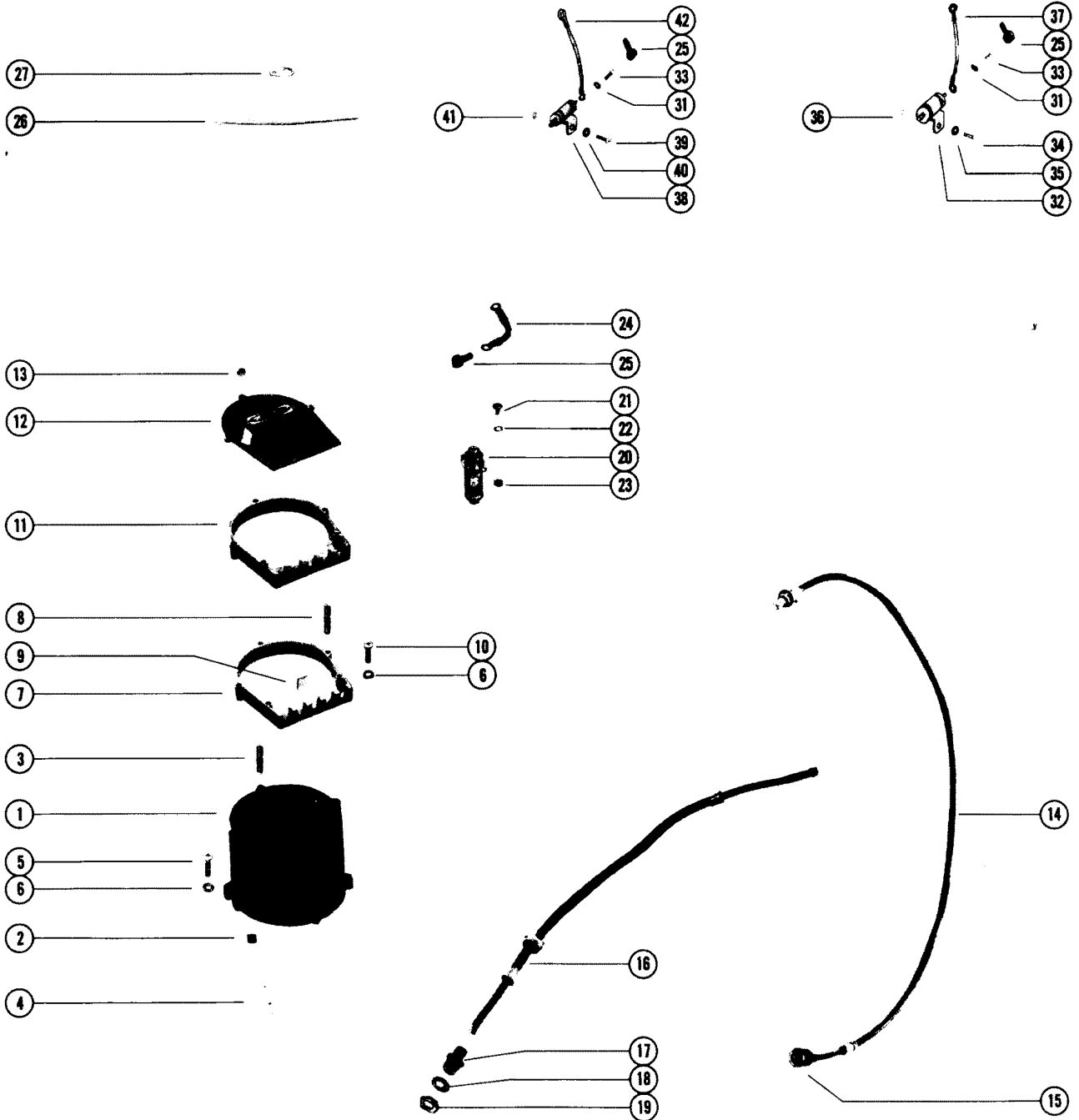
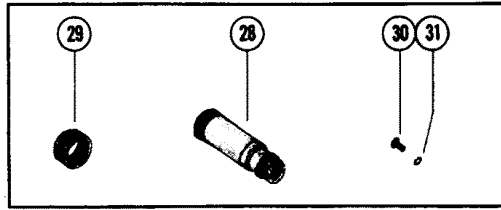


RADIO SHIELDING KITS

REF. NO.	PART NO.	SYM.	QTY.	DESCRIPTION
-	54094A13		1,	RADIO SHIELDING KIT SEE NOTE
-	54094A14		,1	RADIO SHIELDING KIT SEE NOTE
1	54094A1		1,1	ADAPTOR HOUSING ASSEMBLY, DISTRIBUTOR CAP
2	54205		2,2	BUMPER, ADAPTOR HOUSING
3	16-54204		3,3	STUD, ADAPTOR HOUSING TO RETAINER AND COVER
4	37-54347		1,1	DECAL, DISTRIBUTOR CAP
5	10-25876		2,2	SCREW, ADAPTOR HOUSING TO DISTRIBUTOR (7/8")
6	13-26996		3,3	LOCKWASHER, HOUSING AND RETAINER SCREW
7	54986A1		1,	RETAINER ASSEMBLY, SPARK PLUG CABLE (LOWER)
	54986A2		,1	RETAINER ASSEMBLY, SPARK PLUG CABLE (LOWER)
8	16-54459		2,2	STUD, RETAINER TO COVER
9	54206		1,1	INSERT, LOWER RETAINER
10	10-48591		1,1	SCREW, LOWER RETAINER TO ADAPTOR HOUSING (1/2")
11	54987A1		1,	RETAINER ASSEMBLY, SPARK PLUG CABLE (UPPER)
	54987A2		,1	RETAINER ASSEMBLY, SPARK PLUG CABLE (UPPER)
12	54095A1		1,1	COVER ASSEMBLY, DISTRIBUTOR
13	11-45812		5,5	NUT, ADAPTOR HOUSING AND RETAINER STUD
14	60499A1		1,	CABLE ASSEMBLY, HIGH TENSION (#1)
	60500A1		1,	CABLE ASSEMBLY, HIGH TENSION (#2)
	60499A4		1,	CABLE ASSEMBLY, HIGH TENSION (#3)
	60499A3		1,	CABLE ASSEMBLY, HIGH TENSION (#4)
	60500A3		1,	CABLE ASSEMBLY, HIGH TENSION (#5)
	60500A4		1,	CABLE ASSEMBLY, HIGH TENSION (#6)
	60500A2		1,	CABLE ASSEMBLY, HIGH TENSION (#7)
	60499A2		1,	CABLE ASSEMBLY, HIGH TENSION (#8)
	60497A1		,1	CABLE ASSEMBLY, HIGH TENSION (#1)
	60497A4		,1	CABLE ASSEMBLY, HIGH TENSION (#2)
	60498A2		,1	CABLE ASSEMBLY, HIGH TENSION (#3)
	60498A3		,1	CABLE ASSEMBLY, HIGH TENSION (#4)
	60497A2		,1	CABLE ASSEMBLY, HIGH TENSION (#5)
	60498A1		,1	CABLE ASSEMBLY, HIGH TENSION (#6)
	60497A3		,1	CABLE ASSEMBLY, HIGH TENSION (#7)
	60498A4		,1	CABLE ASSEMBLY, HIGH TENSION (#8)
15	54836		4,4	BOOT, HIGH TENSION CABLE
	54837		4,4	BOOT, HIGH TENSION CABLE (NOT AS SHOWN)
16	84-65898		1,1	LEAD ASSEMBLY, COIL TO DISTRIBUTOR
17	65899		1,1	CONNECTOR, SHIELD
18	13-65916		1,1	LOCKWASHER, SHIELD CONNECTOR NUT
19	11-65905		1,1	NUT, SHIELD CONNECTOR
20	60447		1,1	CONDENSER, COIL - PRIMARY LEAD
21	10-30410		2,2	SCREW, COVER TO CONDENSER (1/4")
22	13-21423		2,2	WASHER, COVER TO CONDENSER SCREW
23	11-55821		2,2	NUT, COVER TO CONDENSER SCREW

CONTINUED ON NEXT PAGE ➡

RADIO SHIELDING KITS



RADIO SHIELDING KITS

REF. NO.	PART NO.	SYM.	QTY.	DESCRIPTION
24	84-65943A1		1,1	LEAD ASSEMBLY, PRIMARY-CONDENSER TO COIL (GREEN)
25	85-62453		4,4	BOOT, CONDENSER LEAD
26	55502		6,6	STRAP, NYLON - HIGH TENSION CABLE
27	26551		1,1	BRACKET, NYLON STRAP
28	59526		8,8	SHIELD, SPARK PLUG
29	23-59525		8,8	RING, COUPLING - SPARK PLUG SHIELD
30	10-45218		1,1	SCREW, BLACK COIL GROUND LEAD (1/4")
31	13-26996		3,3	LOCKWASHER, ATTACHING SCREWS
32	60449		1,1	CONDENSER, LARGE (. 5 MFD)
33	10-39986		6,6	SCREW, LEAD WIRES TO CONDENSERS (1/4")
34	10-21417		1,1	SCREW, CONDENSER TO MOUNT (1/2")
35	13-26992		1,1	WASHER, CONDENSER MOUNTING SCREW
36	11-20890		1,1	NUT, CONDENSER MOUNTING SCREW
37	84-65962A1		1,1	LEAD, CONDENSER TO SWITCHBOX (WHITE)
38	60448		1,1	CONDENSER, SMALL (. 1 MFD)
39	10-48591		1,1	SCREW, CONDENSER TO MOUNT (1/2")
40	13-22238		1,1	WASHER, CONDENSER MOUNTING SCREW
41	11-20645		1,1	NUT, CONDENSER MOUNTING SCREW
42	84-65963A1		1,1	LEAD, CONDENSER TO SWITCHBOX (RED)

MARINE ENGINE GASKET SET CHART (ILLUSTRATION ONLY) A

MARINE ENGINE GASKET SET CHART

MODEL	MISCELLANEOUS	OIL PAN	EXHAUST MANIFOLD	INTAKE MANIFOLD and CYLINDER HEAD
MCM 60	B-27-37073A1	B-27-37098	B-27-37097A1	B-27-37095A2
MCM 80	B-27-46536A1	B-27-46530	B-27-46601A1	B-27-46564A1
MCM 90	B-27-58589A1	B-27-46530	B-27-56203A1	B-27-56204A1
MCM 110 (AL) (1604624 and below)	B-27-34213A2	B-27-52144	B-27-34605A1	B-27-34604A2
MCM 110 (AL) (1604625 and up)	B-27-34213A2	B-27-52144	B-27-35440A1	B-27-34604A2
MCM 110 (CI)	B-27-34213A2	B-27-52144	B-27-35898A1	B-27-34604A2
MCM 120 (AL)	B-27-34213A2	B-27-52144	B-27-35440A1	B-27-34604A2
MCM 120 (CI) (1725593 thru 2046624)	B-27-34213A2	B-27-52144	B-27-35898A1	B-27-34604A2
MCM 120 (CI) (2046625 thru 2324346)	B-27-34213A2	B-27-52144	B-27-35898A4	B-27-34604A2
MCM 120 (CI) (2324347 thru 3409175)	B-27-34213A2	B-27-52144	B-27-35898A4	B-27-34604A2
MCM 120 (CI) (3409176 and up)	B-27-34213A2	B-27-52144	B-27-35898A4	B-27-34604A2
MCM 140 (4 cyl.)	B-27-34213A2	B-27-52144	B-27-53354A1	B-27-52364A1
MCM 140 (6 cyl.) (1604110 and below)	B-27-34213A2	B-27-49949	B-27-34607A1	B-27-34606A3
MCM 140 (6 cyl.) (1604111 and up)	B-27-34213A2	B-27-49949	B-27-35441A2	B-27-34606A3
MCM 150 (AL)	B-27-34213A2	B-27-49949	B-27-35441A2	B-27-34606A3
MCM 150 (CI)	B-27-34213A2	B-27-49949	B-27-39255A1	B-27-34606A3
MCM 160 (AL)	B-27-34213A2	B-27-49949	B-27-35441A2	B-27-34606A3
MCM 160 (CI)	B-27-34213A2	B-27-49949	B-27-39255A3	B-27-34606A3
MCM 165	B-27-34213A2	B-27-49949	B-27-46401A1	B-27-47453A1

NOTE: This Chart includes the following abbreviations: AL - Aluminum Manifold
CI - Cast Iron Manifold

MARINE ENGINE GASKET SET CHART (ILLUSTRATION ONLY) A

THIS PAGE INTENTIONALLY LEFT BLANK

MARINE ENGINE GASKET SET CHART (ILLUSTRATION ONLY) B

MARINE ENGINE GASKET SET CHART

MODEL	MISCELLANEOUS	OIL PAN	EXHAUST MANIFOLD	INTAKE MANIFOLD and CYLINDER HEAD
MCM 190 (G. M.) (1666493 and below)	B-27-34895A1	B-27-34991A1	B-27-35756A1	B-27-35754A1
MCM 190 (G. M.) (1666494 and up)	B-27-34895A1	B-27-34991A1	B-27-35671A1	B-27-35754A1
MCM 898/MIE 198	B-27-34895A2	B-27-72627	B-27-33395A2	B-27-75611A1
MCM 200 (G. M.)	B-27-52248A1	B-27-49949	B-27-52457A1	B-27-52255A1
MCM 225 (G. M.) (1666756 and below)	B-27-34895A1	B-27-34991A1	B-27-35756A1	B-27-35754A1
MCM 225 (G. M.) (1666757 thru 2278646)	B-27-34895A1	B-27-34991A1	B-27-35671A1	B-27-35754A1
MCM 225 (G. M.) (2278647 thru 2399397)	B-27-34895A2	B-27-52236	B-27-35671A1	B-27-52201A1
MCM 225 (G. M.) (2399398 thru 3385720)	B-27-34895A2	B-27-52236	B-27-33395A2	B-27-52201A1
MCM/MIE 228	B-27-34895A2	B-27-72627	B-27-33395A2	B-27-75611A1
MCM 250 (G. M.) (2314301 thru 2639854)	B-27-34895A2	B-27-52236	B-27-33395A2	B-27-52201A1
MCM 250 (G. M.) (4768000 thru 4908849)	B-27-34895A2	B-27-72627	B-27-33395A2	B-27-75611A1
MCM 260	B-27-34895A2	B-27-72627	B-27-33395A2	B-27-75611A1
MCM 255 (G. M.) (4175500 and up)	B-27-34895A2	B-27-72627	B-27-33395A2	B-27-72637A1
MCM 270 (G. M.)	B-27-34895A2	B-27-52236	B-27-33395A2	B-27-52201A1
MCM 280 (G. M.) All	B-27-34895A2	B-27-72627	B-27-33395A2	B-27-72637A1
MCM 325 (G. M.) (3042730 and below)	B-27-54529A1	B-27-52550	B-27-46820A1	B-27-49113A1
MCM 325 (G. M.) (3042731 thru 3640502)	B-27-54529A1	B-27-52550	B-27-46820A1	B-27-59967A1
MCM 325 (G. M.) (3640503 and up)	B-27-54529A1	B-27-52550	B-27-46820A1	B-27-65184A1
MCM/MIE 330	B-27-54529A1	B-27-52550	B-27-46820A1	B-27-65184A2
MCM 350 (G. M.) All	B-27-54529A1	B-27-52550	B-27-46820A1	B-27-65184A1
MCM 888 (Ford) All	B-27-56108A1	B-27-64798	B-27-54566A1	B-27-56110A1
MCM 215 (Ford) All	B-27-56108A1	B-27-64798	B-27-54566A1	B-27-56110A1
MCM 225 (Ford) (3385721 and up)	B-27-56108A1	B-27-64798	B-27-54566A1	B-27-56110A1
MCM 233 (Ford) All	B-27-56108A1	B-27-65114A1	B-27-54566A1	B-27-64763A1
MCM 255 (Ford) (4175499 and below)	B-27-56108A1	B-27-65114A1	B-27-54566A1	B-27-64763A1

Revised February 1978

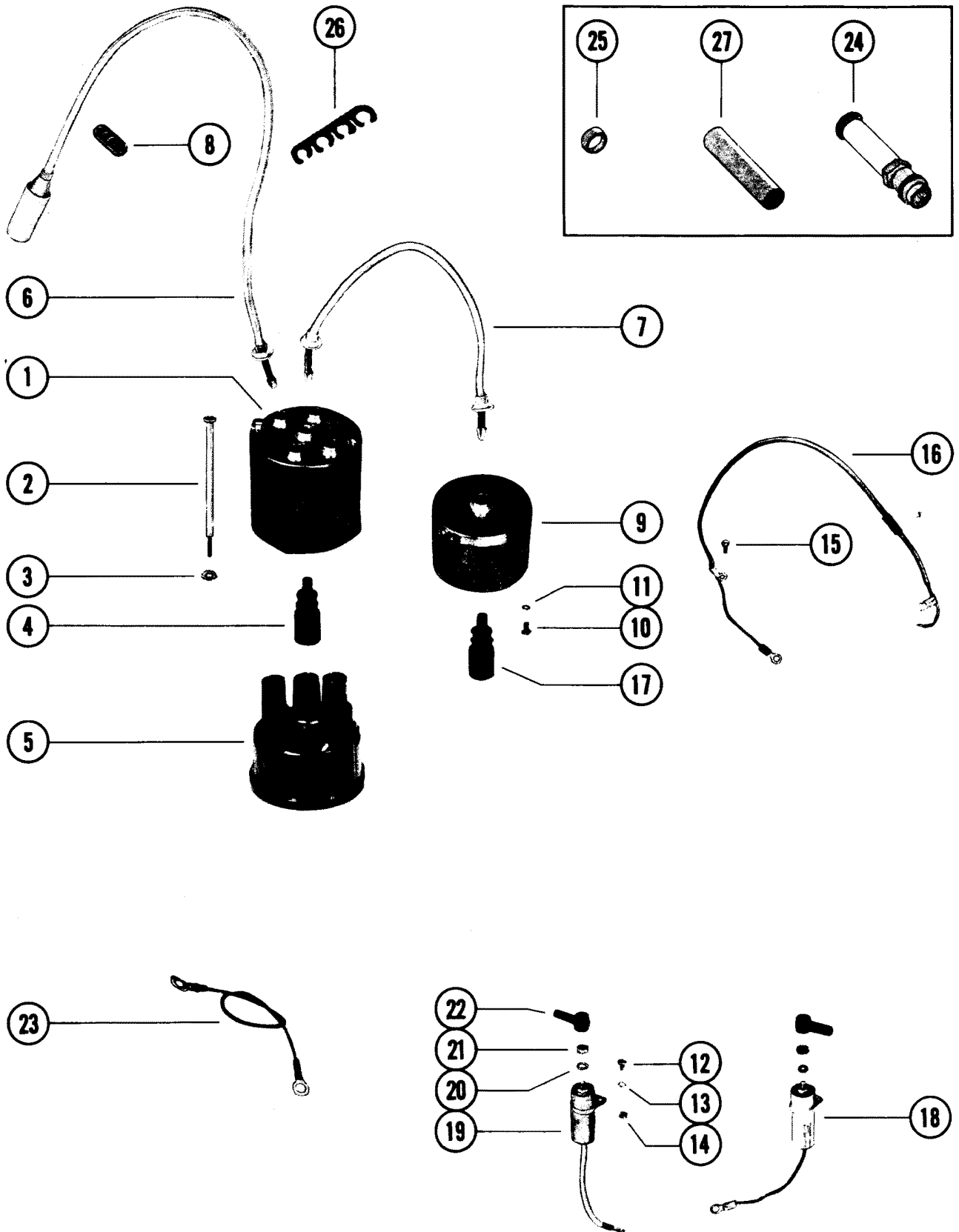
MISCELLANEOUS

Page 22C

MARINE ENGINE GASKET SET CHART (ILLUSTRATION ONLY) B

THIS PAGE INTENTIONALLY LEFT BLANK

RADIO SHIELDING KITS

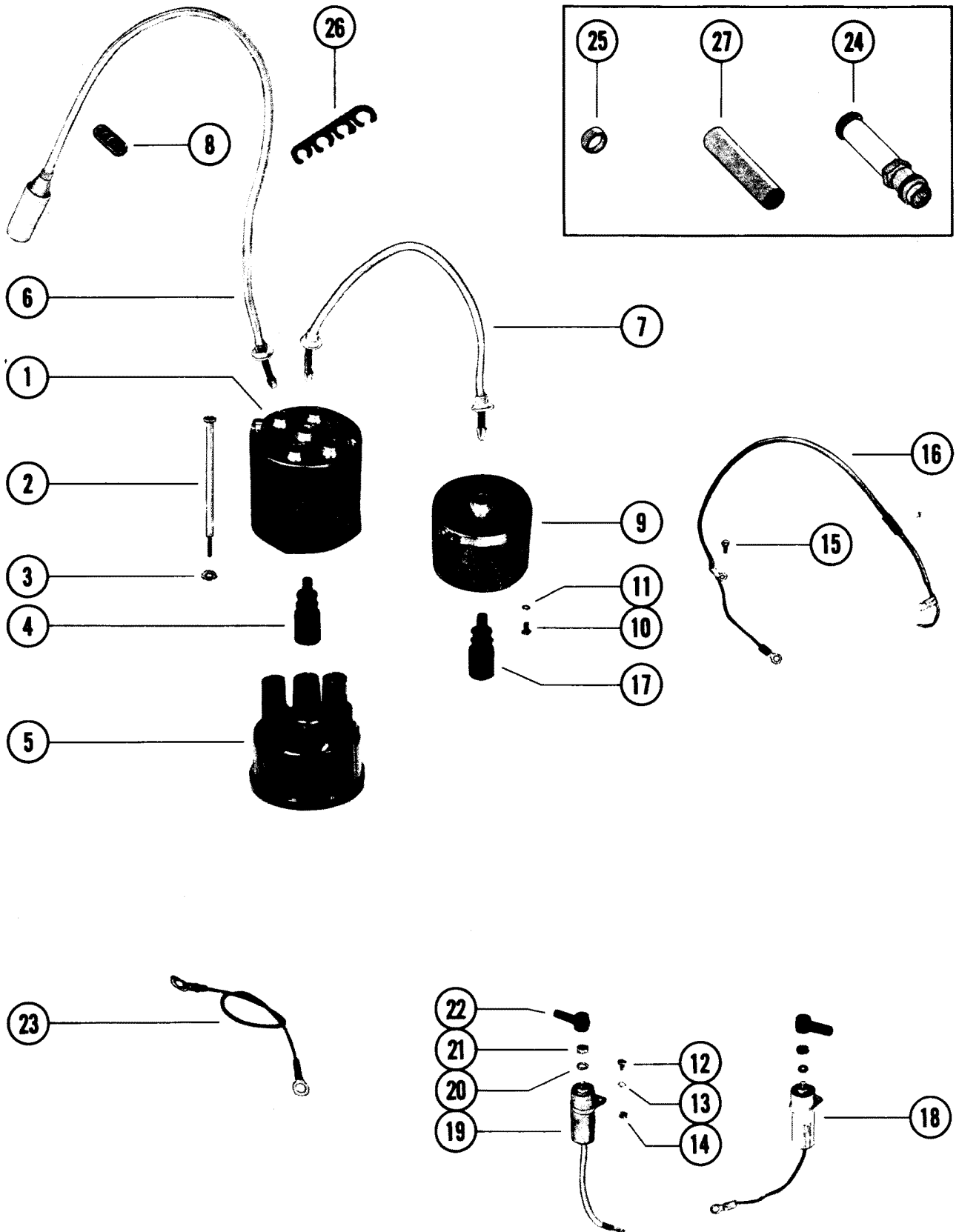


RADIO SHIELDING KITS

REF. NO.	PART NO.	SYM.	QTY.	DESCRIPTION
-	36804A6		1,	RADIO SHIELDING KIT (MARINE 165 - SERIAL #2771484 AND UP)
-	68248A2		,1	RADIO SHIELDING KIT(MARINE 120 AND 140 WITH TAPERED SPARK PLUGS)
1	38804		1,	SHIELD, DISTRIBUTOR CAP
	68248		,1	SHIELD, DISTRIBUTOR CAP
2	10-45157		1,	SCREW, DISTRIBUTOR CAP SHIELD (3 3/4")
	10-45158		1,	SCREW, DISTRIBUTOR CAP SHIELD (3 3/4")
3	13-21804		1,	LOCKWASHER, DISTRIBUTOR CAP SHIELD SCREW (5/16")
	13-21272		1,	LOCKWASHER, DISTRIBUTOR CAP SHIELD SCREW (1/4")
4	38942		7,	BOOT, DISTRIBUTOR CAP (HIGH TENSION LEADS)
	38942		,5	BOOT, DISTRIBUTOR CAP (HIGH TENSION LEADS)
5	33765		1,	CAP, DISTRIBUTOR
	33667		,1	CAP, DISTRIBUTOR
6	59481-1		2,	LEAD ASSEMBLY, HIGH TENSION (11 1/2 ")
	59481-3		1,	LEAD ASSEMBLY, HIGH TENSION (15 1/2 ")
	59481-4		1,	LEAD ASSEMBLY, HIGH TENSION (18 3/4")
	59481-5		1,	LEAD ASSEMBLY, HIGH TENSION (25")
	59481-6		1,	LEAD ASSEMBLY, HIGH TENSION (28")
	84-68249-1		,1	LEAD ASSEMBLY, HIGH TENSION (7")
	84-68249-2		,1	LEAD ASSEMBLY, HIGH TENSION (7")
	84-68249-3		,1	LEAD ASSEMBLY, HIGH TENSION (12 1/2 ")
	84-68249-4		,1	LEAD ASSEMBLY, HIGH TENSION (16 1/4")
7	38943A2		1,	LEAD ASSEMBLY, COIL TO DISTRIBUTOR (13")
	84-68250		,1	LEAD ASSEMBLY, COIL TO DISTRIBUTOR (13 1/4")
8	25-38930		1,	GROMMET, HIGH TENSION LEADS
9	38934		1,	SHIELD, IGNITION COIL
	68252		,1	SHIELD, IGNITION COIL
10	10-22625		3,	SCREW, IGNITION COIL SHIELD
11	13-26995		3,	LOCKWASHER, IGNITION COIL SHIELD SCREW
12	10-20377		2,	SCREW, FILTER AND CONDENSOR TO COIL SHIELD
13	13-26994		2,	LOCKWASHER, FILTER AND CONDENSOR SCREW
14	11-21270		2,	NUT, FILTER AND CONDENSOR SCREW
15	10-45159		3,	SCREW, METAL - IGNITION COIL SHIELD
16	38937		1,1	LEAD, PRIMARY - COIL TO DISTRIBUTOR
17	38942		1,1	BOOT, IGNITION COIL
18	38935		1,1	FILTER, IGNITION COIL (BROWN LEAD)
19	38936		1,1	CONDENSOR, IGNITION COIL (WHITE LEAD)
20	13-26996		2,2	LOCKWASHER, FILTER AND CONDENSOR TERMINAL
21	11-68219		2,2	NUT, FILTER AND CONDENSOR TERMINAL
22	38938		2,2	BOOT, FILTER AND CONDENSOR TERMINAL

CONTINUED ON NEXT PAGE ➡

RADIO SHIELDING KITS



RADIO SHIELDING KITS

REF. NO.	PART NO.	SYM.	QTY.	DESCRIPTION
23	38910		1,1	CABLE, GROUND - TRANSOM PLATE TO BELL HOUSING (BLACK - 15")
24	59526		6,	SHIELD, SPARK PLUG
	59526		,4	SHIELD, SPARK PLUG
25	23-59525		6,	RING, COUPLING - SPARK PLUG SHIELD
	23-59525		,4	RING, COUPLING - SPARK PLUG SHIELD
26	C-54-59742		1,	RETAINER, HIGH TENSION LEAD (4 WIRE)
27	85-68251		,4	INSULATOR, SPARK PLUG SHIELD

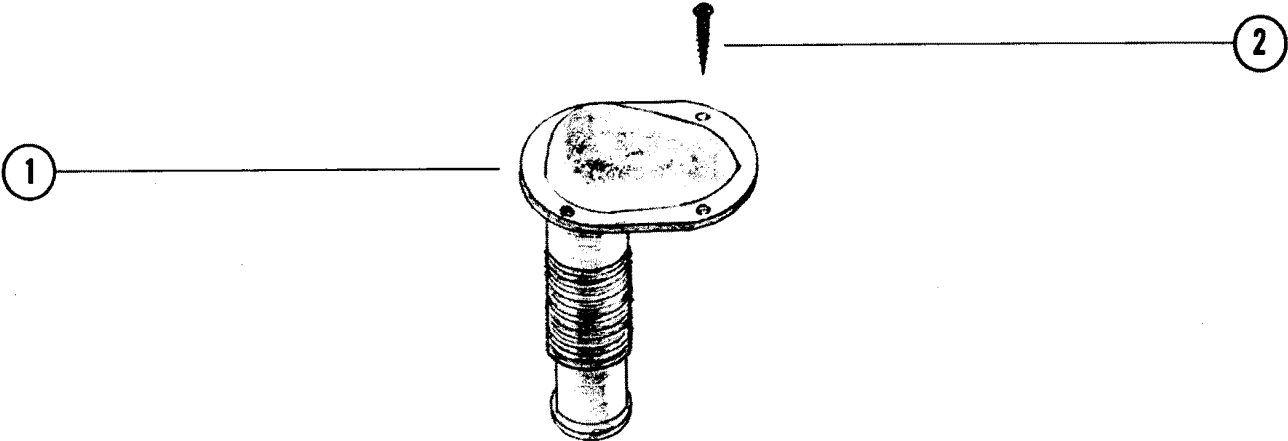
RADIO SUPPRESSION KIT



RADIO SUPPRESSION KIT

REF. NO.	PART NO.	SYM.	QTY.	DESCRIPTION
-	84-67213A1		1	RADIO SUPPRESSION KIT(MARINE 888, 215, 225 AND 255)
1	84-67204-1		2	CABLE,HIGH TENSION (27")
	84-67204-2		2	CABLE,HIGH TENSION (30")
	84-67204-3		2	CABLE,HIGH TENSION (36 1/2")
	84-67204-4		2	CABLE,HIGH TENSION (41")
2	84-67203		1	CABLE,COIL TO DISTRIBUTOR (12")

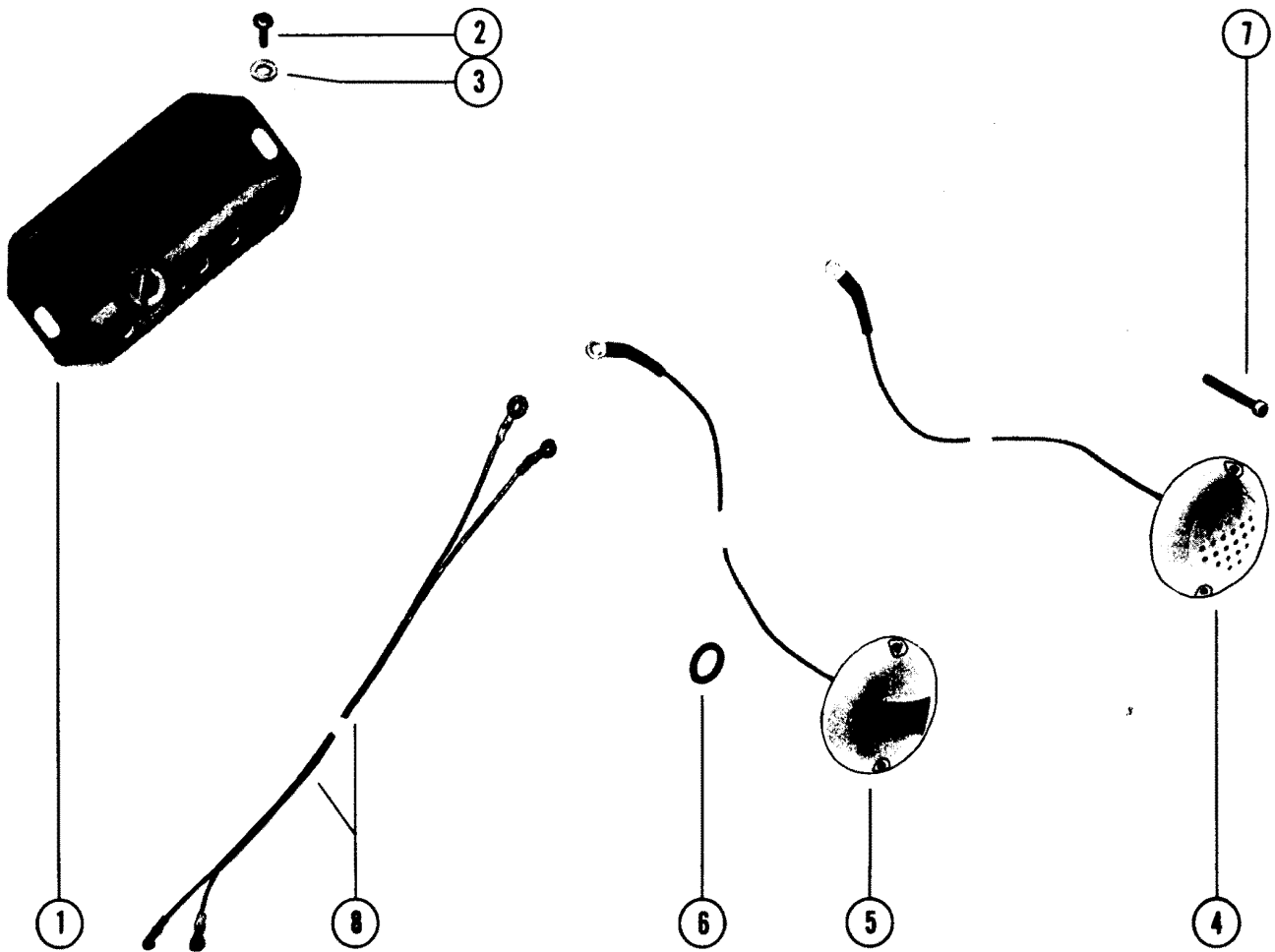
THRU HULL FITTING ASSEMBLY



THRU HULL FITTING ASSEMBLY

REF. NO.	PART NO.	SYM.	QTY.	DESCRIPTION
1	68670A2		1	THRU HULL FITTING ASSEMBLY
2	10-68864		4	SCREW, THRU HULL FITTING

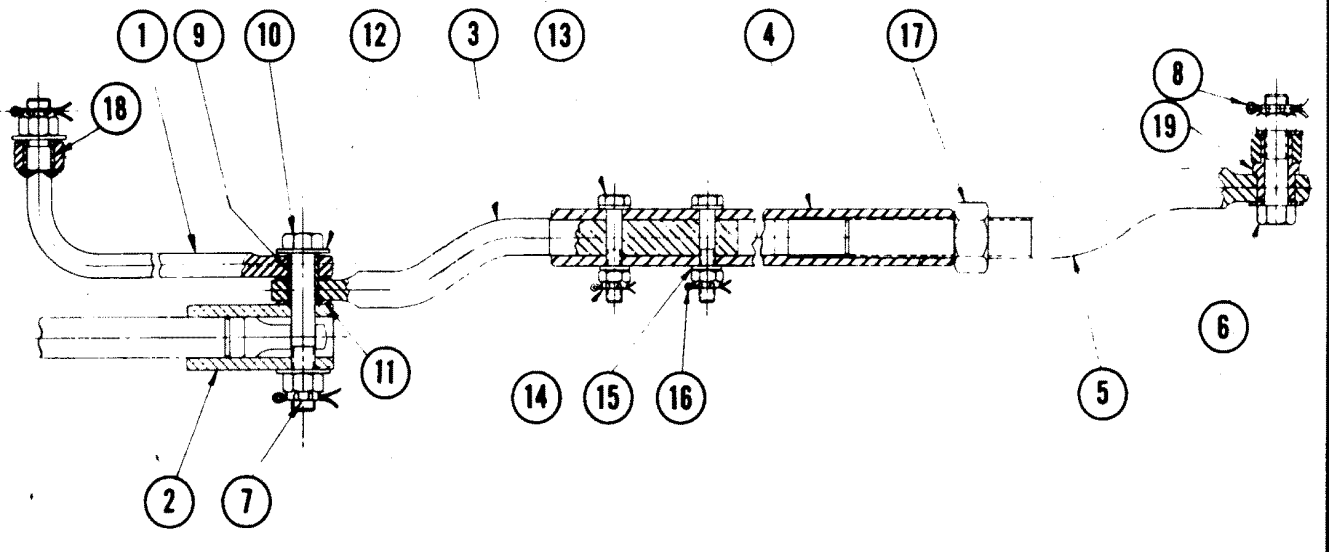
MERCATHODE KIT



MERCATHODE KIT

REF. NO.	PART NO.	SYM.	QTY.	DESCRIPTION
-	85955A4		L	MERCATHODE KIT
1	85955A6		1	MERCATHODE CONTROLLER
2	10-22793		2	SCREW, CONTROLLER ATTACHING (7/8")
3	12-30164		2	WASHER, CONTROLLER ATTACHING SCREW
4	72958A5		1	REFERENCE ELECTRODE ASSEMBLY
5	72957A5		1	ANODE ASSEMBLY
6	25-21836		2	"O" RING, ANODE AND ELECTRODE
7	10-69163		2	SCREW, ANODE AND ELECTRODE ATTACHING
8	84-85958A1		1	CABLE ASSEMBLY,BATTERY TO CONTROLLER

TIE BAR ASSEMBLY - DUAL MERC. 120 THRU 470 W/O POWER STEER



TIE BAR ASSEMBLY - DUAL MERC. 120 THRU 470 W/O POWER STEER

REF. NO.	PART NO.	SYM.	QTY.	DESCRIPTION
-	73185A1		1	TIE BAR ASSEMBLY, DUAL(MERC.120 THRU 470 W/O POWER STEERING)
1	73426		1	LINK ROD
2	73425		1	ADAPTOR, CABLE END
3	73427		1	STEERING EYE
4	61352		1	TUBE, ADJUSTING
5	73428A1		1	EYE, STEERING
6	10-66977		1	SCREW, STEERING EYE (1 3/4")
7	11-55438		3	NUT, CASTLE (3/8 - 24)
8	18-32665		3	COTTER PIN, ADAPTOR AND STEERING EYE SCREW
9	23-73424		1	BUSHING, ADAPTOR AND LINK ROD SCREW
10	10-73472		1	SCREW, ADAPTOR AND LINK ROD (2 1/2")
11	12-20959		2	WASHER, ADAPTOR AND LINK ROD SCREW
12	12-68300		5	WASHER, ADAPTOR AND STEERING EYE SCREW
13	10-66976		2	SCREW, TUBE TO STEERING EYE
14	11-49662		2	NUT, TUBE TO STEERING EYE SCREW
15	12-29245		4	WASHER, TUBE TO STEERING EYE SCREW
16	18-32665		2	COTTER PIN, TUBE TO STEERING EYE SCREW
17	11-24156		1	NUT, JAM - ADJUSTING TUBE
18	23-52698		1	SLEEVE, LINK ROD
19	23-60503		1	BUSHING, STEERING EYE SCREW

PARTS INDEX

Part Number	Description	Pg.	Ref. No.	Part Number	Description	Pg.	Ref. No.
22924	TERMINAL, ENGINE HARNESS LEADS (#10) . . .	21	8	38916	BINDER, BALLAST HARNESS (1 1/2")	13	6
24789A1	ALUMINUM WATER PUMP . . .	29	-	38934	SHIELD, IGNITION COIL . . .	55	9
26433	COIL, IGNITION	13	1	38935	FILTER, IGNITION COIL (BROWN LEAD)	55	18
26551	BRACKET, NYLON STRAP . . .	49	27	38936	CONDENSOR, IGNITION COIL (WHITE LEAD)	55	19
30915	INSERT, BILGE PUMP BODY . .	11	24	38937	LEAD, PRIMARY - COIL TO DISTRIBUTOR	55	16
30915	INSERT, FRONT WATER PUMP BODY	11	13	38938	BOOT, FILTER AND CONDENSOR TERMINAL	55	22
30915	INSERT, REAR WATER PUMP BODY	11	17	38942	BOOT, DISTRIBUTOR CAP (HIGH TENSION LEADS)	55	4
32656	HOOK, TURNBUCKLE - UPPER (GIMBAL HOUSING)	25	1	38942	BOOT, DISTRIBUTOR CAP (HIGH TENSION LEADS)	55	4
32657A1	TURNBUCKLE ASSEMBLY, UPPER AND LOWER HOOKS	25	3	38942	BOOT, IGNITION COIL	55	17
32657A3	TURNBUCKLE ASSEMBLY, COMPLETE (SEE NOTE) . . .	25	-	38943A2	LEAD ASSEMBLY, COIL TO DISTRIBUTOR (13")	55	7
32720	FITTING, OIL FILTER TO ADAPTOR	33	10	38999	PLATE, FACE - BILGE PUMP BODY	11	26
32833	MOUNT, FRONT MOUNTING BRACKET	43	3	39012	COVER, FILTER SCREEN TO BILGE PUMP PICKUP	11	38
32836	PLATE, FACE - OUTLET BEARING HOUSING	11	8	39013	FILTER SCREEN, BILGE PUMP PICKUP	11	37
32837	PLATE, FACE - BILGE PUMP BODY	11	20	39950A4	MARINE 110 AND 120 CAST IRON	23	-
33210	JUMPER WIRE, BALLAST TO BALLAST (WHITE - 4 3/4") . .	13	18	45048	PLATE, FACE - WATER PUMP	41	8
33211	BRACKET, MOUNTING - BALLAST	13	19	45048	PLATE, FACE - WATER PUMP	41	8
33667	CAP, DISTRIBUTOR	55	5	45050	PLATE, BACK - WATER PUMP BODY	27	6
33765	CAP, DISTRIBUTOR	55	5	45052	PLATE, FACE - WATER PUMP	27	12
33865	BINDER, BALLAST HARNESS (2 1/2")	13	5	45129A1	IGNITION COIL AND BALLAST ASSEMBLY (SEE NOTE)	13	-
34160A2	WATER PICK-UP KIT, TRANSOM MOUNTED	31	1	45586	SHUTTER, WATER	23	3
34169	TUBE, WATER PICK-UP	31	2	45601A1	HOOK ASSEMBLY, LOWER (DRIVE SHAFT HOUSING)	25	4
34765A1	COVER KIT, EXHAUST FLANGE	19	1	46005A3	TUBE ASSEMBLY, WATER SHUTTER	23	1
35138A5	MARINE 110 AND 120 ALUMINUM	23	-	46017A1	EXHAUST WATER SHUTTER KIT(SEE NOTE)	23	-
36081	COVER, INLET - HOSE	3	15	46757A1	BRACKET ASSEMBLY, FRONT MOUNTING	43	1
36804A6	RADIO SHIELDING KIT (MARINE 165 - SERIAL #2771484 AND UP)	55	-	46761	PULLEY, CRANKSHAFT HUB	43	6
37707	VOLTAGE REGULATOR, TRANSISTOR (NOT AS SHOWN)	21	1	47221	BRACKET, SUPPORT- WATER SHUTTER	23	4
38048A3	AUXILIARY POWER TAKE- QFF KIT (MARINE 160)	43	-	47486	ADAPTOR, OIL	33	12
38083	HARNESS, VOLTAGE REGULATOR	21	4	47486A1	REMOTE OIL FILTER KIT	33	-
38084A1	VOLTAGE REGULATOR KIT, TRANSISTOR	21	-	47543	HOUSING, OIL TRANSFER	33	13
38804	SHIELD, DISTRIBUTOR CAP . . .	55	1	48085A1	PULLEY ASSEMBLY, AUXILIARY DRIVE SEE NOTE	37	1
38910	CABLE, GROUND - TRANSOM PLATE TO BELL HOUSING (BLACK - 15")	57	23	48086A1	PULLEY ASSEMBLY, AUXILIARY DRIVE SEE NOTE	37	1
38912	HARNESS, BALLAST	13	4	48504	ADAPTOR, OIL FILTER	33	1
				48640	Y-PIPE, EXHAUST	35	1

PARTS INDEX

Part Number	Description	Pg.	Ref. No.	Part Number	Description	Pg.	Ref. No.
48640A1	SINGLE EXHAUST KIT	35	-	59481-5	LEAD ASSEMBLY, HIGH TENSION (25")	55	6
48641	PIPE EXHAUST	35	5				
48755A1	PLASTIC WATER PUMP	29	-	59481-6	LEAD ASSEMBLY, HIGH TENSION (28")	55	6
52514	ADAPTOR AND VALVE ASSEMBLY	33	19	59526	SHIELD, SPARK PLUG	49	28
52731	OIL FILTER	33	11	59526	SHIELD, SPARK PLUG	57	24
53168	PLATE, BACK - WATER PUMP BODY	41	13	59526	SHIELD, SPARK PLUG	57	24
53168	PLATE, BACK - WATER PUMP BODY	41	13	60447	CONDENSER, COIL - PRIMARY LEAD	47	20
53452A2	RISER KIT, EXHAUST ELBOW(MARINE 225, 250, 270, 325 AND 390)	15	1	60448	CONDENSER, SMALL (. 1 MFD)	49	38
54094A1	ADAPTOR HOUSING ASSEMBLY, DISTRIBUTOR CAP	47	1	60449	CONDENSER, LARGE (. 5 MFD)	49	32
54094A13	RADIO SHIELDING KIT SEE NOTE	47	-	60497A1	CABLE ASSEMBLY, HIGH TENSION (#1)	47	14
54094A14	RADIO SHIELDING KIT SEE NOTE	47	-	60497A2	CABLE ASSEMBLY, HIGH TENSION (#5)	47	14
54095A1	COVER ASSEMBLY, DISTRIBUTOR	47	12	60497A3	CABLE ASSEMBLY, HIGH TENSION (#7)	47	14
54205	BUMPER, ADAPTOR HOUSING	47	2	60497A4	CABLE ASSEMBLY, HIGH TENSION (#2)	47	14
54206	INSERT, LOWER RETAINER	47	9	60498A1	CABLE ASSEMBLY, HIGH TENSION (#6)	47	14
54836	BOOT, HIGH TENSION CABLE	47	15	60498A2	CABLE ASSEMBLY, HIGH TENSION (#3)	47	14
54837	BOOT, HIGH TENSION CABLE (NOT AS SHOWN)	47	15	60498A3	CABLE ASSEMBLY, HIGH TENSION (#4)	47	14
54986A1	RETAINER ASSEMBLY, SPARK PLUG CABLE (LOWER)	47	7	60498A4	CABLE ASSEMBLY, HIGH TENSION (#8)	47	14
54986A2	RETAINER ASSEMBLY, SPARK PLUG CABLE (LOWER)	47	7	60499A1	CABLE ASSEMBLY, HIGH TENSION (#1)	47	14
54987A1	RETAINER ASSEMBLY, SPARK PLUG CABLE (UPPER)	47	11	60499A2	CABLE ASSEMBLY, HIGH TENSION (#8)	47	14
54987A2	RETAINER ASSEMBLY, SPARK PLUG CABLE (UPPER)	47	11	60499A3	CABLE ASSEMBLY, HIGH TENSION (#4)	47	14
55481	BASE, FUEL FILTER	39	1	60499A4	CABLE ASSEMBLY, HIGH TENSION (#3)	47	14
55502	STRAP, NYLON - HIGH TENSION CABLE	49	26	60500A1	CABLE ASSEMBLY, HIGH TENSION (#2)	47	14
56331A1	PULLEY ASSEMBLY, AUXILIARY DRIVE SEE NOTE	37	1	60500A2	CABLE ASSEMBLY, HIGH TENSION (#7)	47	14
57952A2	RISER KIT, EXHAUST ELBOW(MARINE 140, 165 AND 215)	15	1	60500A3	CABLE ASSEMBLY, HIGH TENSION (#5)	47	14
58759A4	MARINE 140, 150 AND 160 ALUMINUM	23	-	60500A4	CABLE ASSEMBLY, HIGH TENSION (#6)	47	14
58759A4	MARINE 140, 150 AND 160 CAST IRON	23	-	61352	TUBE, ADJUSTING	65	4
59481-1	LEAD ASSEMBLY, HIGH TENSION (11 1/2 ")	55	6	61811A4	RISER KIT, EXHAUST ELBOW(MARINE 270 AND 325)	5	1
59481-3	LEAD ASSEMBLY, HIGH TENSION (15 1/2 ")	55	6	61851A2	RISER KIT, EXHAUST ELBOW(MARINE 215 AND 255)	5	1
59481-4	LEAD ASSEMBLY, HIGH TENSION (18 3/4")	55	6	64492A1	ADAPTOR ASSEMBLY	45	4
				65899	CONNECTOR, SHIELD	47	17
				66632A1	MERCATHODE CONT ROLLER	9	1
				66632A2	MERCATHODE KIT	9	-
				66632A3	MERCATHODE KIT	9	-
				66635A2	ANODE ASSEMBLY	9	3

PARTS INDEX

Part Number	Description	Pg.	Ref. No.	Part Number	Description	Pg.	Ref. No.
67896	BRACKET, RESERVOIR . . .	3	3	10-24231	SCREW, BALLAST HARNESS TO ENGINE WIRING HARNESS	13	9
67898	HOSE, BOTTLE TO DRIVE SHAFT HOUSING	3	11	10-24231	SCREW, REGULATOR HARNESS TO ENGINE HARNESS (1/4")	21	6
67905	RETAINER, RESERVOIR SPRING	3	4	10-24234	SCREW, COVER TO BILGE PUMP PICKUP (1")	11	39
67907	BRACKET, SUPPORT	3	14	10-24609	SCREW, WIRING HARNESS LEADS TO BALLAST	13	13
68248	SHIELD, DISTRIBUTOR CAP	55	1	10-25612	SCREW, DRIVE - TUBE ASSEMBLY	23	2
68248A2	RADIO SHIELDING KIT(MARINE 120 AND 140 WITH TAPERED SPARK PLUGS)	55	-	10-25876	SCREW, ADAPTOR HOUSING TO DISTRIBUTOR (7/8")	47	5
68252	SHIELD, IGNITION COIL . . .	55	9	10-26487	SCREW, EXHAUST ELBOW TO RISER (1 1/8")	15	3
68670A2	THRU HULL FITTING ASSEMBLY	61	1	10-29672	SCREW, WATER PICK-UP TO TRANSOM	31	4
69622A1	BOTTLE ASSEMBLY, RESERVOIR	3	1	10-30410	SCREW, COVER TO CONDENSER (1/4")	47	21
69622A2	RESERVOIR ASSEMBLY, COMPLETE	3	-	10-30720	SCREW, WATER PUMP TO GEAR HOUSING (2 1/4")	41	18
72957A2	ANODE ASSEMBLY	9	3	10-32515	SCREW, PULLEY AND BALANCER TO CRANKSHAFT	37	4
72957A5	ANODE ASSEMBLY	63	5	10-33684	SCREW, INLET COVER TO BOAT (3")	3	17
72958A2	REFERENCE ELECTRODE ASSEMBLY	9	2	10-34613	SCREW, MOUNTING BRACKET TO ENGINE (1 3/4")4 CYL. ONLY	13	20
72958A5	REFERENCE ELECTRODE ASSEMBLY	63	4	10-35871	SCREW, EXHAUST ELBOW TO RISER (1 1/8")	15	3
73185A1	TIE BAR ASSEMBLY, DUAL(MERC.120 THRU 470 W/O POWER STEERING)	65	-	10-36355	SCREW, MOUNTING BRACKET ATTAC HING (3 /8 -16 X 5 1/4 ")	43	5
73425	ADAPTOR, CABLE END	65	2	10-36359	SCREW, MOUNTING BRACKET ATTACHING (7/16-14 X 5")	43	4
73426	LINK ROD	65	1	10-37655	SCREW, SUPPORT BRACKET TO TUBE ASSEMBLY (1/2")	23	5
73427	STEERING EYE	65	3	10-37908	SCREW, VOLTAGE REGULATOR TO TRANSOM (1 1/4")	21	2
73428A1	EYE, STEERING	65	5	10-39001	SCREW, OUTLET HOUSING TO INLET HOUSING (4 1/2")	11	6
85955A4	MERCATHODE KIT	63	-	10-39986	SCREW, LEAD WIRES TO CONDENSERS (1/4")	49	33
85955A6	MERCATHODE CONTROLLER	63	1	10-45157	SCREW, DISTRIBUTOR CAP SHIELD (3 3/4")	55	2
C-54-59742	RETAINER, HIGH TENSION LEAD (4 WIRE)	57	26	10-45158	SCREW, DISTRIBUTOR CAP SHIELD (3 3/4")	55	2
10-20377	SCREW, FILTER AND CONDENSOR TO COIL SHIELD	55	12	10-45159	SCREW, METAL - IGNITION COIL SHIELD	55	15
10-21077	SCREW, MOUNTING BRACKET TO ENGINE (7/8 ")6 CYL ONLY	13	21	10-45218	SCREW, BLACK COIL GROUND LEAD (1/4")	49	30
10-21417	SCREW, CONDENSER TO MOUNT (1/2")	49	34	10-47409	SCREW, OIL ADAPTOR TO CYLINDER BLOCK (5")	33	16
10-21548	SCREW, BALLAST TO MOUNTING BRACKET (5/8")	13	16				
10-21951	SCREW, PULLEY TO HUB (3/8-24 X 1 1/4")	43	7				
10-22625	SCREW, IGNITION COIL SHIELD	55	10				
10-22698	SCREW, INLET HOUSING TO BILGE PUMP BODY (1 3/4")	11	34				
10-22698	SCREW, OIL TRANSFER HOUSING TO OIL ADAPTOR (1 3/4")	33	14				
10-22793	SCREW, CONTROLLER ATTACHING (7/8")	63	2				

PARTS INDEX

Part Number	Description	Pg.	Ref. No.	Part Number	Description	Pg.	Ref. No.
10-47954	SCREW, OIL FILTER ADAPTOR TO ELECTRIC PANEL (1 5/8")	33	4	11-49838	NUT, EXHAUST ELBOW SCREW	15	5
10-48308	SCREW, PULLEY ATTACHING (3 3/4")	37	2	11-49838	NUT, EXHAUST ELBOW STUD	5	5
10-48591	SCREW, CONDENSER TO MOUNT (1/2")	49	39	11-55438	NUT, CASTLE (3/8 - 24)	65	7
10-48591	SCREW, LOWER RETAINER TO ADAPTOR HOUSING (1/2")	47	10	11-55821	NUT, COVER TO CONDENSER SCREW	47	23
10-48989	SCREW, PULLEY ATTACHING (47R)	37	2	11-65905	NUT, SHIELD CONNECTOR	47	19
10-52693	SCREW, PULLEY ATTACHING (5")	37	2	11-67092	NUT, ANODE AND ELECTRODE - NYLON	9	7
10-66976	SCREW, TUBE TO STEERING EYE	65	13	11-68219	NUT, FILTER AND CONDENSOR TERMINAL	55	21
10-66977	SCREW, STEERING EYE (1 3/4")	65	6	12-20028	WASHER, VOLTAGE REGULATOR SCREW	21	3
10-68864	SCREW, THRU HULL FITTING	61	2	12-20260	WASHER, HOSE ADAPTOR	3	13
10-69163	SCREW, ANODE AND ELECTRODE ATTACHING	63	7	12-20553	WASHER, PULLEY SCREW	37	3
10-69163	SCREW, ANODE AND ELECTRODE ATTACHING	9	8	12-20959	WASHER, ADAPTOR AND LINK ROD SCREW	65	11
10-73472	SCREW, ADAPTOR AND LINK ROD (2 1/2")	65	10	12-24812	WASHER, FILTER SCREEN COVER SCREW	11	40
11-20184	NUT, BALLAST TO MOUNTING BRACKET SCREW	13	17	12-25908	WASHER, WATER PICK-UP TO TRANSOM SCREW	31	5
11-20361	NUT, WATER PICK-UP TRANSOM SCREW	31	6	12-25970	WASHER, OIL FILTER ADAPTOR SCREW	33	6
11-20645	NUT, BALLAST HARNESS SCREW	13	10	12-29245	WASHER, TUBE TO STEERING EYE SCREW	65	15
11-20645	NUT, BALLAST HARNESS TO STARTER MOTOR	13	8	12-29245	WASHER, WATER PUMP STUD	41	24
11-20645	NUT, CONDENSER MOUNTING SCREW	49	41	12-30164	WASHER, CONTROLLER ATTACHING SCREW	63	3
11-20645	NUT, IGNITION COIL TERMINAL	13	3	12-30191	WASHER, WIRING HARNESS LEADS TO BALLAST SCREW	13	15
11-20645	NUT, REGULATOR HARNESS SCREW	21	7	12-30971	WASHER, INLET COVER SCREW	3	18
11-20890	NUT, CONDENSER MOUNTING SCREW	49	36	12-36001	WASHER, WATER PUMP SCREW	41	19
11-21270	NUT, FILTER AND CONDENSOR SCREW	55	14	12-38753	WASHER, WATER PUMP SCREW	41	20
11-21612	NUT, ADJUSTING - UPPER HOOK	25	2	12-47523	WASHER, OIL ADAPTOR SCREW	33	17
11-24156	NUT, JAM - ADJUSTING TUBE	65	17	12-47524	WASHER, SEALING - OIL ADAPTOR	33	18
11-33825	NUT, INLET COVER SCREW	3	19	12-48506	WASHER, INSULATOR - ADAPTOR TO ELECTRIC PANEL	33	3
11-36069	NUT, WATER PUMP STUD (1/4-28)	41	25	12-58198	WASHER, RETAINER SCREW	3	6
11-45592	NUT, WATER PUMP STUD (5/16-24)	41	25	12-67093	WASHER, NYLON	9	5
11-45812	NUT, ADAPTOR HOUSING AND RETAINER STUD	47	13	12-67094	WASHER, NEOPRENE	9	6
11-45812	NUT, SUPPORT BRACKET SCREW	23	6	12-68300	WASHER, ADAPTOR AND STEERING EYE SCREW	65	12
11-49662	NUT, TUBE TO STEERING EYE SCREW	65	14	13-20758	LOCKWASHER, MOUNTING BRACKET SCREW	13	22
				13-21272	LOCKWASHER, DISTRIBUTOR CAP SHIELD SCREW (1/4")	55	3
				13-21423	WASHER, COVER TO CONDENSER SCREW	47	22

PARTS INDEX

Part Number	Description	Pg.	Ref. No.	Part Number	Description	Pg.	Ref. No.
13-22238	WASHER, CONDENSER MOUNTING SCREW	49	40	17-33166	PIN, DOWEL - REAR WATER PUMP BODY	11	16
13-26992	LOCKWASHER, WATER PUMP SCREW	41	19	17-35973	PIN, DOWEL - WATER PUMP BASE TO WATER PUMP BODY	41	6
13-26992	WASHER, CONDENSER MOUNTING SCREW	49	35	17-35973	PIN, DOWEL - WATER PUMP BODY TO TOP COVER . .	27	5
13-26994	LOCKWASHER, FILTER AND CONDENSOR SCREW	55	13	17-38102	PIN, IMPELLER DRIVE	27	10
13-26995	LOCKWASHER, IGNITION COIL SHIELD SCREW . . .	55	11	18-32665	COTTER PIN, ADAPTOR AND STEERING EYE SCREW	65	8
13-26995	LOCKWASHER, WIRING HARNESS LEADS TO BALLAST SCREW	13	14	18-32665	COTTER PIN, TUBE TO STEERING EYE SCREW . .	65	16
13-26996	LOCKWASHER, ATTACHING SCREWS	49	31	19-33165	WELCH PLUG, BEARING HOUSING	11	33
13-26996	LOCKWASHER, BALLAST HARNESS TO STARTER MOTOR NUT	13	7	21-67909A1	VALVE ASSEMBLY, RESERVOIR	3	8
13-26996	LOCKWASHER, FILTER AND CONDENSOR TERMINAL	55	20	22-32802	PLUG, PIPE - EXHAUST RISER (1/8- 27)	15	7
13-26996	LOCKWASHER, HOUSING AND RETAINER SCREW . .	47	6	22-32802	PLUG, PIPE - OIL FILTER ADAPTOR (1/8- 27)	33	7
13-26996	LOCKWASHER, IGNITION COIL TERMINAL	13	2	22-32802	PLUG, PIPE (1/8-27)	5	-
13-35048	LOCKWASHER, PULLEY SCREW	37	3	22-36382	PLUG, PIPE - OIL FILTER ADAPTOR (3/8- 18)	33	2
13-37459	LOCKWASHER, EXHAUST ELBOW SCREW	15	4	22-39011	PLUG, FUEL FILTER BASE . .	39	2
13-37459	LOCKWASHER, EXHAUST ELBOW STUD	5	4	22-48118	FITTING, BILGE PUMP PICKUP	11	36
13-37459	LOCKWASHER, OIL FILTER ADAPTOR SCREW	33	5	22-48245	PLUG, CORE - EXHAUST RISER	15	6
13-37459	LOCKWASHER, PULLEY SCREW	37	3	22-67902	CONNECTOR, OIL FILTER ADAPTOR TO OIL HOSE . .	33	9
13-37459	LOCKWASHER, PULLEY SCREW (3/8")	43	8	22-67903	FITTING, HOSE TO RESERVOIR BOTTLE - BARBED	3	9
13-65916	LOCKWASHER, SHIELD CONNECTOR NUT	47	18	23-29804	ADAPTOR, HOSE TO DRIVE SHAFT HOUSING	3	12
16-30667	STUD, WATER PUMP TO GEAR HOUSING (3 1/8") . .	41	23	23-32914	SLEEVE, WATER TUBE GUIDE	41	22
16-34713	STUD, EXHAUST ELBOW TO RISER (6 3/4")	5	3	23-32914	SLEEVE, BALLAST HARNESS SCREW CONNECTION	13	11
16-54204	STUD, ADAPTOR HOUSING TO RETAINER AND COVER	47	3	23-32914	SLEEVE, VOLTAGE REGULATOR HARNESS (2")	21	5
16-54459	STUD, RETAINER TO COVER	47	8	23-35903	SPACER, FRONT MOUNTING BRACKET	43	2
16-56297	STUD, WATER PUMP TO GEAR HOUSING (3 3/8") . .	41	23	23-35977	BUSHING, INLET COVER	3	20
16-58135	STUD, EXHAUST ELBOW TO RISER (4 3/4")	5	3	23-37961	SLEEVE, ENGINE HARNESS LEADS (7/8")	21	9
17-29967	PIN, IMPELLER DRIVE	11	11	23-45051	SLEEVE, WATER PUMP BODY	27	7
17-29967	PIN, IMPELLER DRIVE	41	11	23-45905	SLEEVE, LOWER HOOK	25	5
17-29967	PIN, IMPELLER DRIVE	41	11	23-52698	SLEEVE, LINK ROD	65	18
17-33166	PIN, DOWEL - BEARING HOUSING	11	2	23-59525	RING, COUPLING - SPARK PLUG SHIELD	49	29
17-33166	PIN, DOWEL - BEARING HOUSING	11	29	23-59525	RING, COUPLING - SPARK PLUG SHIELD	57	25
17-33166	PIN, DOWEL - BILGE PUMP BODY	11	23	23-59525	RING, COUPLING - SPARK PLUG SHIELD	57	25

PARTS INDEX

Part Number	Description	Pg.	Ref. No.	Part Number	Description	Pg.	Ref. No.
23-73424	BUSHING, ADAPTOR AND LINK ROD SCREW	65	9	27-33175	GASKET, FACE PLATE TO REAR WATER PUMP BODY	11	19
24-67908	SPRING, RESERVOIR BOTTLE	3	7	27-33176	GASKET, BILGE PUMP BODY TO FACE PLATE . .	11	21
25-21836	"O" RING, ANODE AND ELECTRODE	9	4	27-33176	GASKET, OUTLET BEARING HOUSING TO FACE PLATE	11	7
25-21836	"O" RING, ANODE AND ELECTRODE	63	6	27-36079	GASKET, INLET COVER . . .	3	16
25-30224	"O" RING, WATER PUMP BASE	41	2	27-38856	GASKET, FACE PLATE TO TOP COVER	27	13
25-30271	RING, RUBBER - CENTRIFUGAL SLINGER (DRIVE SHAFT)	41	21	27-38957	GASKET, TAB SEALING - WATER PUMP BODY	27	2
25-33145	"O" RING, WATER PUMP BASE	41	2	27-38997	GASKET, BILGE PUMP BODY TO FACE PLATE . .	11	25
25-33756	RING, SEALING - ADAPTOR AND VALVE	33	20	27-39000	GASKET, FACE PLATE TO INLET BEARING HOUSING	11	27
25-38099	"O" RING, WATER PUMP BODY	27	8	27-45053	GASKET, WATER PUMP BODY TO FACE PLATE . .	27	11
25-38101	"O" RING, OIL TRANSFER HOUSING	33	15	27-48042	GASKET, RISER TO MANIFOLD AND ELBOW . .	5	2
25-38930	GROMMET, HIGH TENSION LEADS	55	8	27-48042	GASKET, RISER TO MANIFOLD AND ELBOW . .	15	2
26-23300	OIL SEAL, WATER PUMP BODY (LOWER)	27	4	27-49571	GASKET, WATER PICK-UP TO TRANSOM	31	3
26-31489	OIL SEAL, WATER PUMP BASE - LOWER	41	4	27-52076	GASKET, RISER TO MANIFOLD AND ELBOW . .	5	2
26-31507	OIL SEAL, WATER PUMP BASE	41	5	27-52076	GASKET, RISER TO MANIFOLD AND ELBOW . .	15	2
26-33144	OIL SEAL, WATER PUMP BASE - LOWER	41	4	27-69620	GASKET, RESERVOIR BOTTLE CAP	3	2
26-33215	OIL SEAL, BEARING HOUSING	11	3	30-33451	BALL BEARING, BEARING HOUSING	11	31
26-33215	OIL SEAL, BEARING HOUSING	11	30	30-33451	BALL BEARING, BEARING HOUSING	11	4
26-38970	SEAL, RUBBER - WATER INLET TUBE	41	16	32-48244A1	HOSE, OIL RETURN (16") . .	33	8
26-79831	OIL SEAL, WATER PUMP BODY (UPPER)	27	3	32-48659-1	HOSE, EXHAUST PIPE TO ENGINE (4")	35	3
27-32433	GASKET, LOWER - WATER PUMP BASE TO FACE PLATE	41	7	32-48659-3	HOSE, EXHAUST PIPE (7 1/2")	35	4
27-32433	GASKET, LOWER - WATER PUMP BASE TO FACE PLATE	41	7	32-48659-4	HOSE, EXHAUST (3 1/4") . .	7	2
27-32434	GASKET, UPPER - FACE PLATE TO WATER PUMP BODY	41	9	32-48659-4	HOSE, EXHAUST (4")	17	2
27-32434	GASKET, UPPER - FACE PLATE TO WATER PUMP BODY	41	9	32-53311A1	HOSE, OIL INLET (16 1/2") .	33	8
27-32438	GASKET, WATER PUMP BASE TO GEAR HOUSING	41	1	32-55483	HOSE, PUMP TO PICK-UP TUBE (1" I. D.)	31	-
27-33146	GASKET, WATER PUMP BASE TO GEAR HOUSING	41	1	32-59077A1	EXHAUST EXTENSION KIT(TO BE USED IN CONJUCTION WITH B-57952A2 RISER KIT)	17	1
27-33174	GASKET, FRONT BODY TO REAR BODY	11	14	32-62364A1	EXHAUST EXTENSION KIT(TO BE USED WITH B-61851A2 RISER HIT)	7	1
27-33175	GASKET, FACE PLATE TO FRONT WATER PUMP BODY	11	9	35-60494	FUEL FILTER	39	3
				35-60494A1	FUEL FILTER ASSEMBLY . .	39	-
				37-54347	DECAL, DISTRIBUTOR CAP	47	4
				45-38996	DRIVE SHAFT, WATER PUMP	11	18
				46-32886A1	BEARING HOUSING ASSEMBLY, WATER OUTLET END	11	1

PARTS INDEX

Part Number	Description	Pg.	Ref. No.	Part Number	Description	Pg.	Ref. No.
46-32900A1	WATER PUMP BODY ASSEMBLY, REAR	11	15	84-65898	LEAD ASSEMBLY, COIL TO DISTRIBUTOR	47	16
46-32901A1	WATER PUMP BODY ASSEMBLY, FRONT	11	12	84-65943A1	LEAD ASSEMBLY, PRIMARY-CONDENSER TO COIL (GREEN)	49	24
46-38958A4	WATER PUMP BODY ASSEMBLY	27	1	84-65962A1	LEAD, CONDENSER TO SWITCHBOX (WHITE) . . .	49	37
46-38958A5	HEAVY DUTY WATER PUMP KIT (MERCUISER 60) . .	27	-	84-65963A1	LEAD, CONDENSER TO SWITCHBOX (RED)	49	42
46-38995A1	BILGE PUMP BODY ASSEMBLY	11	22	84-67203	CABLE,COIL TO DISTRIBUTOR (12")	59	2
46-38995A3	WATER PUMP AND BILGE PUMP ASSEMBLY	11	-	84-67204-1	CABLE,HIGH TENSION (27")	59	1
46-38998A1	BEARING HOUSING ASSEMBLY, WATER INLET END	11	28	84-67204-2	CABLE,HIGH TENSION (30")	59	1
46-39010A1	BILGE PUMP PICKUP ASSEMBLY (SEE NOTE) .	11	35	84-67204-3	CABLE,HIGH TENSION (36 1/2")	59	1
46-48743A3	HEAVY DUTY WATER PUMP KIT(PLASTIC - BALL BEARING ON DRIVE SHAFT)	41	-	84-67204-4	CABLE,HIGH TENSION (41")	59	1
46-48743A4	HEAVY DUTY WATER PUMP KIT(PLASTIC - TAPERED BRG. ON DRIVE SHAFT) .	41	-	84-67213A1	RADIO SUPPRESSION KIT(MARINE 888, 215, 225 AND 255)	59	-
46-48758A1	WATER PUMP BASE ASSEMBLY	41	3	84-68249-1	LEAD ASSEMBLY, HIGH TENSION (7")	55	6
46-48762A1	WATER PUMP BASE ASSEMBLY	41	3	84-68249-2	LEAD ASSEMBLY, HIGH TENSION (7")	55	6
46-64141A1	WATER PUMP BODY ASSEMBLY	41	12	84-68249-3	LEAD ASSEMBLY, HIGH TENSION (12 1/2 ")	55	6
46-64141A1	WATER PUMP BODY ASSEMBLY	41	12	84-68249-4	LEAD ASSEMBLY, HIGH TENSION (16 1/4")	55	6
47-30221	IMPELLER, WATER PUMP .	11	10	84-68250	LEAD ASSEMBLY, COIL TO DISTRIBUTOR (13 1/4") . .	55	7
47-65959	IMPELLER, WATER PUMP .	27	9	84-85958A1	CABLE ASSEMBLY,BATTERY TO CONTROLLER	63	8
47-65960	IMPELLER, WATER PUMP .	41	10	85-62453	BOOT, CONDENSER LEAD .	49	25
47-65960	IMPELLER, WATER PUMP .	41	10	85-68251	INSULATOR,SPARK PLUG SHIELD	57	27
53-33452	RING, SNAP - BALL BEARING TO BEARING HOUSING	11	32	88-64999	FUSE, MULTI-METER	45	2
53-33452	RING, SNAP - BALL BEARING TO BEARING HOUSING	11	5	88-65000	FUSE, TESTER	45	2
54-32739	CLAMP, EXHAUST HOSE . .	23	7	91-62562	MULTI -METER	45	3
54-32780	CLAMP, HOSE TO WATER PUMP/WATER PICK-UP TUBE	31	-	91-62563A1	IGNITION ANALYZER ASSEMBLY	45	--
54-33683	CLAMP, EXHAUST HOSE . .	7	3	91-63998A1	SPARK CHAMBER	45	6
54-33683	CLAMP, EXHAUST HOSE . .	17	3	91-64645A1	TESTER ASSEMBLY	45	1
54-33683	CLAMP, EXHAUST HOSE . .	35	2	92-36088-1	LOCTITE (.2CC TUBE)	27	--
54-33683	CLAMP,COVER TO FLANGE	19	2	92-58295A1	LOCTITE (.2CC TUBE)	41	--
54-67732	CLAMP, HOSE ATTACHING	3	10	92-58295A1	LOCTITE (.2CC TUBE)	41	--
84-64316	TEST LEAD, RED	45	8	393-1286	BALLAST	13	12
84-64317-1	TEST LEAD, YELLOW	45	8				
84-64317-2	TEST LEAD, GREEN	45	8				
84-64317-3	TEST LEAD, BLACK	45	8				
84-64317-4	TEST LEAD, WHITE	45	8				
84-64318	BENCH TEST LEAD	45	7				
84-64608A1	BATTERY CABLE ASSEMBLY	45	5				