



PARTS CATALOG

MERCUISER SEC L POWER SHIFT

SERIAL NUMBER

POWER STEERING/ TILLER HANDLES/ SHIFT KITS . MC Power Shift (1985 and Below)

TABLE OF CONTENTS:

ELECTRIC SHIFT ASSEMBLY, COMPLETE	2
PARTS INDEX	8
POWER SHIFT	6
SHIFT ACTUATOR ASSEMBLY, COMPLETE (STERN DRIVE)	4

NOTE: *Indented description indicate that these parts are included in preceeding assembly.*

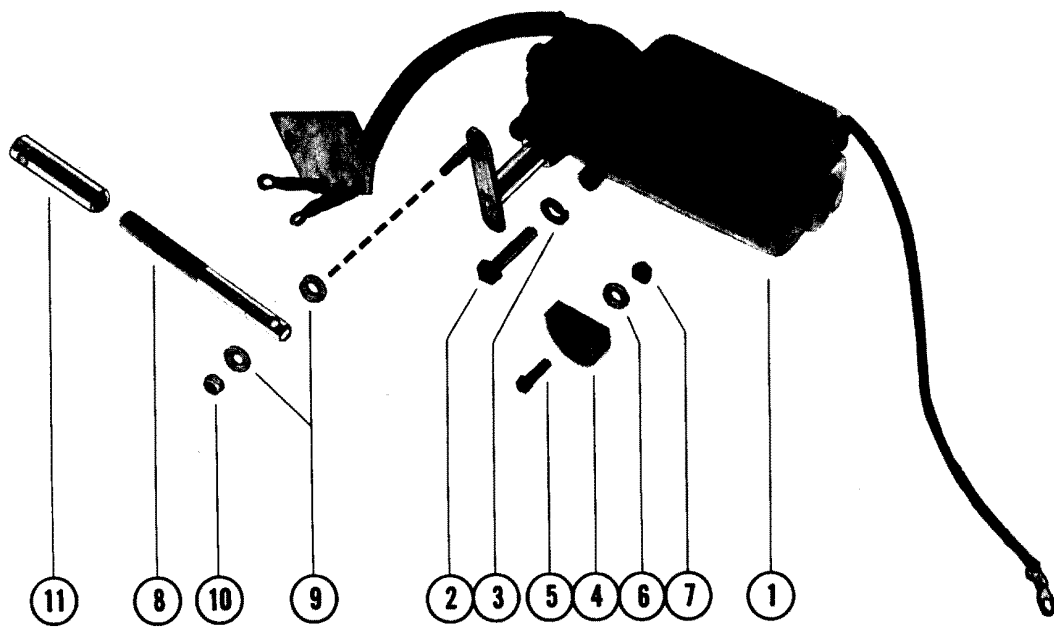
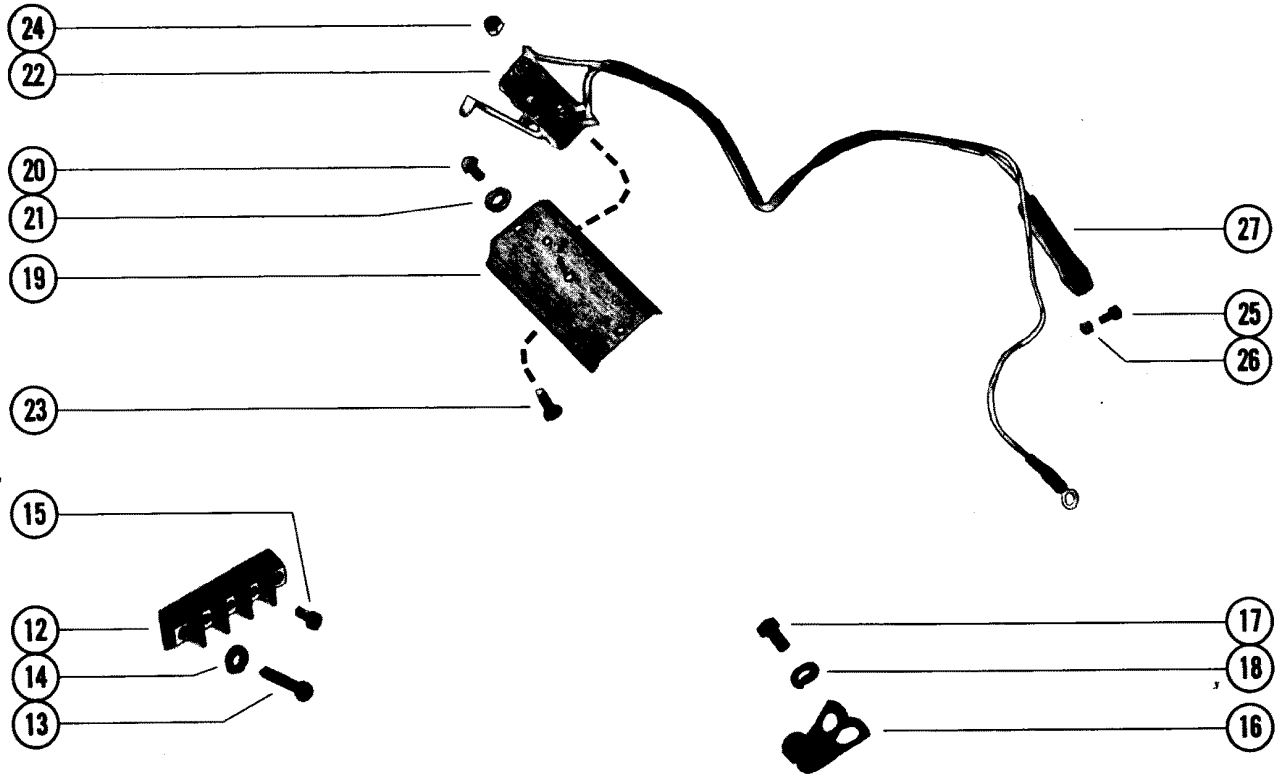
AR = As Required
OPT = Optional

NSS = Not Sold Separate
NS = Not Shown

THESE PARTS BOOKS/FICHE CARD ARE COPYRIGHTED AND MAY NOT BE DISTRIBUTED OR REPRODUCED IN ANY OTHER FORMAT BY ANYONE OTHER THAN MERCURY MARINE WITHOUT THE PRIOR WRITTEN CONSENT OF MERCURY MARINE.

THIS PAGE INTENTIONALLY LEFT BLANK

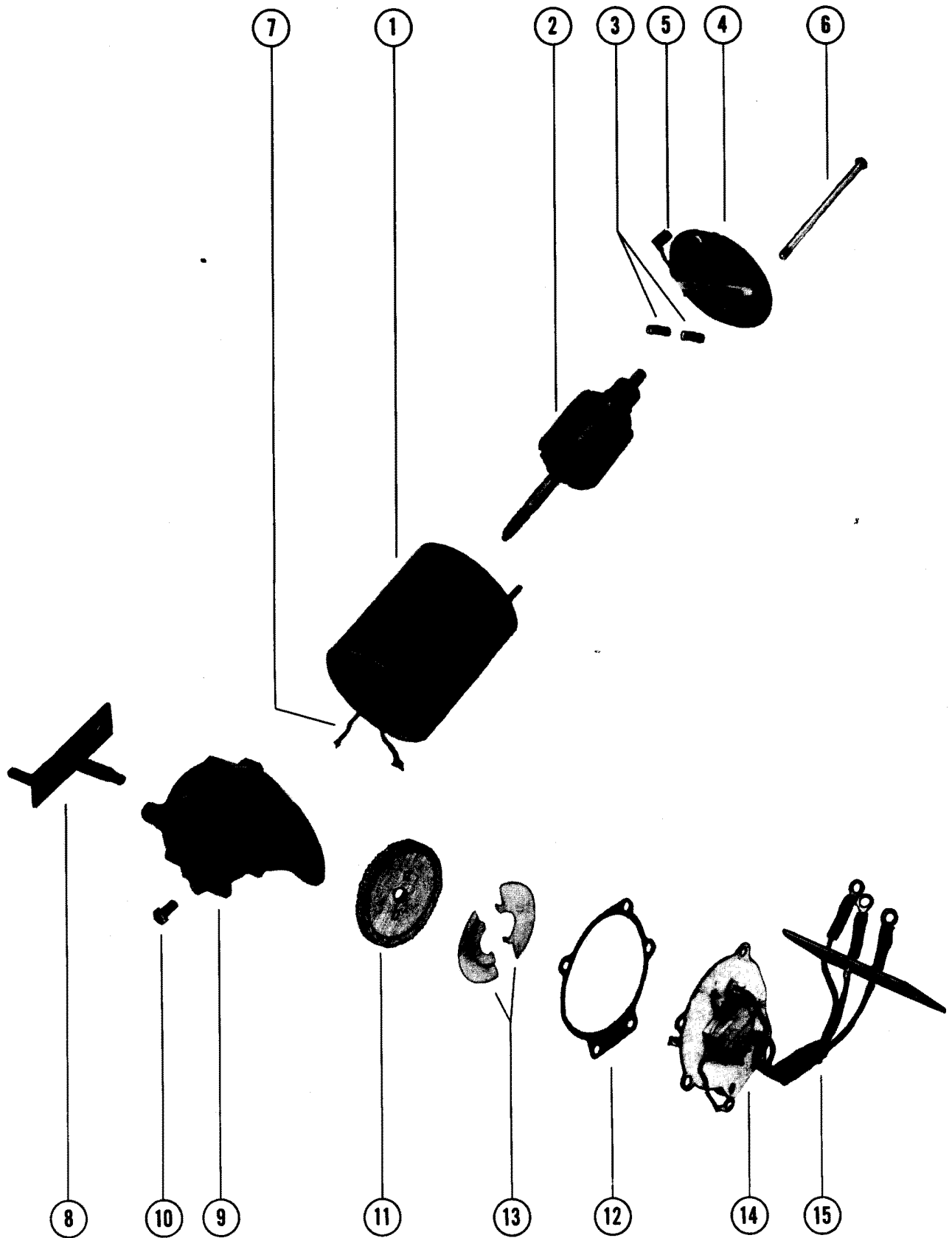
ELECTRIC SHIFT ASSEMBLY, COMPLETE



ELECTRIC SHIFT ASSEMBLY, COMPLETE

REF. NO.	PART NO.	SYM.	QTY.	DESCRIPTION
-	70260A1		1	ELECTRIC SHIFT ASSEMBLY, COMPLETE
1	71919		1	ACTUATOR, SHIFT
2	10-21091		3	SCREW, SHIFT ACTUATOR TO SHIFT BRACKET (1-1/8")
3	13-26992		3	LOCKWASHER, SHIFT ACTUATOR SCREW
4	70259		1	CAM, NEUTRAL SWITCH
5	10-32228		1	SCREW, CAM TO SHIFT ACTUATOR (5/8")
6	12-20128		1	WASHER, CAM SCREW
7	11-20110		1	NUT, CAM SCREW
8	70256		1	LINK, SHIFT
9	12-56824		2	WASHER, SHIFT LINK ATTACHING
10	11-20110		1	NUT, SHIFT LINK ATTACHING
11	70257		1	CONNECTOR, ADJUSTING-SHIFT LINK
12	86-62993		1	TERMINAL BLOCK
13	10-24637		2	SCREW, TERMINAL BLOCK TO SHIFT BRACKET (7/8")
14	13-26996		2	LOCKWASHER, TERMINAL BLOCK SCREW
15	10-36046		3	SCREW, LEA1 TO TERMINAL BLOCK
16	54-66601		1	CLIP, REMOTE CONTROL HARNESS
17	10-20100		1	SCREW, CLIP TO SHIFT BRACKET (1/2")
18	13-26996		1	LOCKWASHER, CLIP SCREW
19	70258		1	SHIELD, TERMINAL BLOCK AND NEUTRAL SWITCH
20	10-20055		2	SCREW, SHIELD TO SHIFT BRACKET (3/8")
21	13-26996		2	LOCKWASHER, SHIELD SCREW
22	39670A4		1	NEUTRAL SWITCH ASSEMBLY
23	10-24219		2	SCREW, NEUTRAL SWITCH TO SHIELD (15/16")
24	11-20437		2	NUT, NEUTRAL SWITCH SCREW
25	10-24231		1	SCREW, NEUTRAL SWITCH LEAD ATTACHING (1/4")
26	11-27164		1	NUT, NEUTRAL SWITCH LEAD SCREW
27	23-32914		1	SLEEVE, NEUTRAL SWITCH LEAD

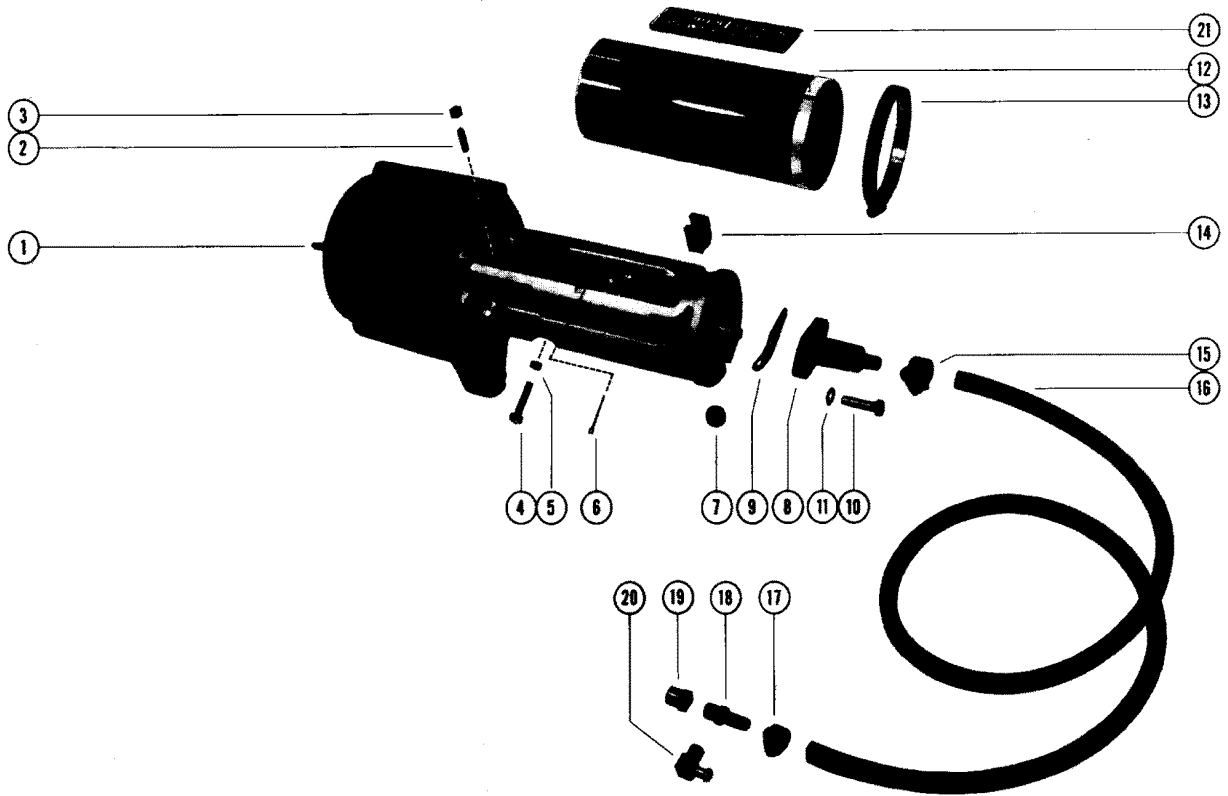
SHIFT ACTUATOR ASSEMBLY, COMPLETE (STERN DRIVE)



SHIFT ACTUATOR ASSEMBLY, COMPLETE (STERN DRIVE)

REF. NO.	PART NO.	SYM.	QTY.	DESCRIPTION
1	71919		1	SHIFT ACTUATOR ASSEMBLY, COMPLETE(SEE NOTE)
2	392-4949		1	ARMATURE
3	392-4960		1	SPRING SET, BRUSH
4	392-4955		1	HEAD ASSEMBLY, COMMUTATOR END
5	392-4956		1	BRUSH SET
6	392-4962		2	THRU BOLT
7	392-4950		1	FIELD COIL ASSEMBLY
8	392-5698		1	CRANK ARM ASSEMBLY
9	392-4957		1	HEAD ASSEMBLY, DRIVE END
10	392-4959		1	SCREW AND DISC PACKAGE
11	392-4952		1	GEAR AND GASKET PACKAGE
12	392-4953		1	GASKET, COVER
13	392-4958		2	PLATE, CAM
14	392-5700		1	SWITCH PLATE AND GASKET PACKAGE
12	392-4953		1	GASKET, SWITCH PLATE
15	392-5699		1	HARNESS ASSEMBLY (3 WIRE LEAD)

POWER SHIFT



POWER SHIFT

REF. NO.	PART NO.	SYM.	QTY.	DESCRIPTION
1	35718A2		1,	POWER SHIFT ASSEMBLY, COMPLETE B-25-36125A2 SEAL REPAIR KIT
	38B38A2		,1	POWER SHIFIT ASSEMBLY, COMPLETE B-25-36125A2 SEAL REPAIR KIT
2	16-36389		1,1	STUD, OUTPUT CABLE - POWER SHIFT CYLINDER
3	11-34688		1,1	NUT, OUTPUT CABLE STUD
4	10-36154		1,1	SCREW, INPUT CABLE TO POWER SHIFT CYLINDER
5	11-34688		1,1	NUT, INPUT CABLE SCREW
6	18-36002		1,1	COTTER PIN, OUTPUT CABLE TO POWER SHIFT CYLINDER
7	36149		1,1	PLUG, FELT - POWER SHIFT CYLINDER
8	316A92		1,1	FLANGE, INLET - POWER SHIFT CYLINDER
9	27-36151		1,1	GASKET, INLET RANGE
10	10-21477		2,2	SCREW, INLET FLANGE TO POWER SHIFT CYLINDER (1 18")
11	13-26993		2,2	LOCKWASHERS -INLET FLANGE SCREW
12	35809		1,1	DUST SHIELD, POWER SHIFT CYLINDER
13	54-45442		1,1	CLAMP, DUST SHIELD TO POWER SHIFT CYLINDER
14	36150		1,1	SPACER, FELT - POWER SHIFT CYLINDER
15	54-37295		1,1	CLAMP, VACUUM HOSE TO POWER SHIFT CYLINDER
16	32-36164		1,1	HOSE, VACUUM - POWER SHIFT CYLINDER TO ENGINE
17	54-37295		1,1	CLAMP, VACUUM HOSE TO ENGINE FITTING
18	22-32820		1,1	FITTING, VACUUM HOSE
19	23-36159		1,1	BUSHING, REDUCER - VACUUM HOSE FITTING
20	22-36221		1,1	CONNECTOR, VACUUM HOSE
21	37-37361		1,1	DECAL, POWER SHIFT

PARTS INDEX

Part Number	Description	Pg.	Ref. No.	Part Number	Description	Pg.	Ref. No.
316A92	FLANGE, INLET - POWER SHIFT CYLINDER	7	8	12-56824	WASHER, SHIFT LINK ATTACHING	3	9
35718A2	POWER SHIFT ASSEMBLY, COMPLETE B-25-36125A2	7	1	13-26992	LOCKWASHER, SHIFT ACTUATOR SCREW	3	3
35809	DUST SHIELD, POWER SHIFT CYLINDER	7	12	13-26993	LOCKWASHERS -INLET FLANGE SCREW	7	11
36149	PLUG, FELT - POWER SHIFT CYLINDER	7	7	13-26996	LOCKWASHER, CLIP SCREW	3	18
36150	SPACER, FELT - POWER SHIFT CYLINDER	7	14	13-26996	LOCKWASHER, SHIELD SCREW	3	21
38B38A2	POWER SHIFIT ASSEMBLY, COMPLETE B-25-36125A2	7	1	13-26996	LOCKWASHER, TERMINAL BLOCK SCREW	3	14
39670A4	NEUTRAL SWITCH ASSEMBLY	3	22	16-36389	STUD, OUTPUT CABLE - POWER SHIFT CYLINDER	7	2
70256	LINK, SHIFT	3	8	18-36002	COTTER PIN, OUTPUT CABLE TO POWER SHIFT CYLINDER	7	6
70257	CONNECTOR, ADJUSTING-SHIFT LINK	3	11	22-32820	FITTING, VACUUM HOSE	7	18
70258	SHIELD, TERMINAL BLOCK AND NEUTRAL SWITCH	3	19	22-36221	CONNECTOR, VACUUM HOSE	7	20
70259	CAM, NEUTRAL SWITCH	3	4	23-32914	SLEEVE, NEUTRAL SWITCH LEAD	3	27
70260A1	ELECTRIC SHIFT ASSEMBLY, COMPLETE	3	-	23-36159	BUSHING, REDUCER - VACUUM HOSE FITTING	7	19
71919	ACTUATOR, SHIFT	3	1	27-36151	GASKET, INLET RANGE	7	9
71919	SHIFT ACTUATOR ASSEMBLY, COMPLETE(SEE NOTE)	5	1	32-36164	HOSE, VACUUM - POWER SHIFT CYLINDER TO ENGINE	7	16
10-20055	SCREW, SHIELD TO SHIFT BRACKET (3/8")	3	20	37-37361	DECAL, POWER SHIFT	7	21
10-20100	SCREW, CLIP TO SHIFT BRACKET (1/2")	3	17	54-37295	CLAMP, VACUUM HOSE TO ENGINE FITTING	7	17
10-21091	SCREW, SHIFT ACTUATOR TO SHIFT BRACKET (1-1/8")	3	2	54-37295	CLAMP, VACUUM HOSE TO POWER SHIFT CYLINDER	7	15
10-21477	SCREW, INLET FLANGE TO POWER SHIFT CYLINDER (1 18")	7	10	54-45442	CLAMP, DUST SHIELD TO POWER SHIFT CYLINDER	7	13
10-24219	SCREW, NEUTRAL SWITCH TO SHIELD (15/16")	3	23	54-66601	CLIP, REMOTE CONTROL HARNESS	3	16
10-24231	SCREW, NEUTRAL SWITCH LEAD ATTACHING (1/4")	3	25	86-62993	TERMINAL BLOCK	3	12
10-24637	SCREW, TERMINAL BLOCK TO SHIFT BRACKET (7/8")	3	13	392-4949	ARMATURE	5	2
10-32228	SCREW, CAM TO SHIFT ACTUATOR (5/8")	3	5	392-4950	FIELD COIL ASSEMBLY	5	7
10-36046	SCREW, LEAI TO TERMINAL BLOCK	3	15	392-4952	GEAR AND GASKET PACKAGE	5	11
10-36154	SCREW, INPUT CABLE TO POWER SHIFT CYLINDER	7	4	392-4953	GASKET, COVER	5	12
11-20110	NUT, CAM SCREW	3	7	392-4953	GASKET, SWITCH PLATE	5	12
11-20110	NUT, SHIFT LINK ATTACHING	3	10	392-4955	HEAD ASSEMBLY, COMMUTATOR END	5	4
11-20437	NUT, NEUTRAL SWITCH SCREW	3	24	392-4956	BRUSH SET	5	5
11-27164	NUT, NEUTRAL SWITCH LEAD SCREW	3	26	392-4957	HEAD ASSEMBLY, DRIVE END	5	9
11-34688	NUT, INPUT CABLE SCREW	7	5	392-4958	PLATE, CAM	5	13
11-34688	NUT, OUTPUT CABLE STUD	7	3	392-4959	SCREW AND DISC PACKAGE	5	10
12-20128	WASHER, CAM SCREW	3	6	392-4960	SPRING SET, BRUSH	5	3
				392-4962	THRU BOLT	5	6
				392-5698	CRANK ARM ASSEMBLY	5	8
				392-5699	HARNESS ASSEMBLY (3 WIRE LEAD)	5	15
				392-5700	SWITCH PLATE AND GASKET PACKAGE	5	14