



CIRCULATE TO:	SERVICE MGR.	PARTS MGR.	MECHANICS	Place in Your "Service Bulletins" Binder
---------------	--------------	------------	-----------	--

MERC 650 and 402 WATER PUMP BASE CHANGE

(Attach Bulletin Reference Sticker to Page IB-12 in Your Service Manual.)

The Merc 650 and 402 Water Pump Base drain hole size has been reduced from 5/32" to 1/16" (4.0mm to 1.6mm) diameter. This change allows greater cooling water volume to the powerhead for an additional safety margin from a worn or set impeller, but it still provides sufficient water drainage in cold weather areas.

It is recommended that this new base (A-46-73842A2) be installed on all Merc 650 and 402 Outboards when servicing. It also should be installed in areas where high vegetation growth exists in the water. New bases already are incorporated in 1975 production models as follows:

Merc 650 - Serial No. 4262248 and Above

Merc 402 - Serial No. 4275245 and Above

Model 1972 and 1973 Merc 650's and 1972-thru-1975 Merc 402's require no other changes when installing the A46-73842A2 Water Pump Base; however, all 1974 and 1975 Merc 650's, shown in the following chart, require a further modification (Water Pressure Reduction Kit A-66846A1) when installing the new water pump base.

U.S.A. - Serial No. 3807833 to 4262247

Canada - Serial No. 7029948 to 7058207

Belgium - Serial No. 9046299 to 9096013

Australia - Serial No. 8015540 to 8029514

Because the increased pressure (produced by the new pump base on these Merc 650's) can cause leakage of exhaust cover gaskets, one of the two following options must be completed:

1. If, in the course of repairs, it is necessary to remove the powerhead, modification then should be made to the exhaust extension plate by enlarging the .250 (1/4" or 6.35mm) hole (Figure 1) to .290 (19/64" or 7.54mm). Upon completion, stamp an "X" on the exhaust extension plate boss (Figure 1) for future identification. (Use end of chisel or blade of screwdriver to make "X".)

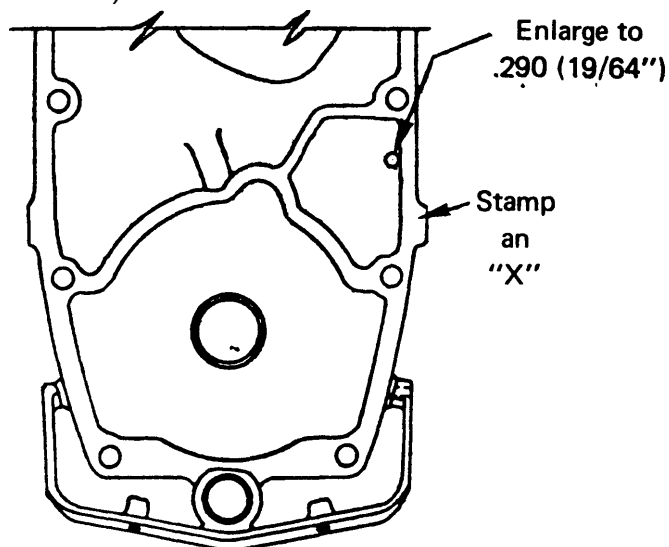


Figure 1. Exhaust Extension Plate Hole Location

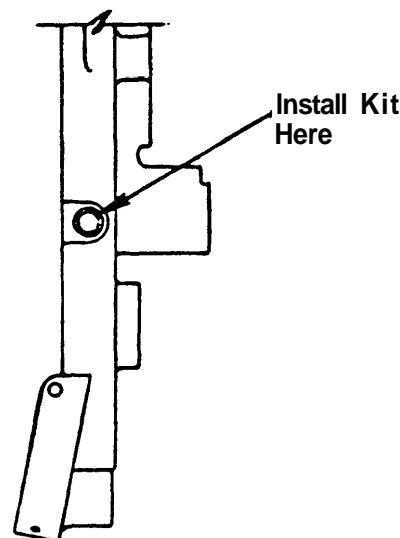


Figure 2. Kit Installation Location

2. If it is not necessary to remove the powerhead, install Water Pressure Reduction Kit **A-66846A1**. (Figure 2) Installation instructions are included in the kit. Order a quantity of Water Pump Bases (**A-46-73842A2**) for the Merc **650's** and Merc **402's** and also a supply of Water Pressure Reduction Kits (**A-66846A1**) for use with **1974-75** Merc **650's** when required. Return all new stock of **A-46-68390A2** Water Pump Bases to your Branch or Distributor for credit.