

## Fuel Pump Replacement - 45/50 (4-Stroke)

### Models Affected

#### MARINER/MERCURY

1995 and 1996 Models 45/50 (4-Stroke)

Serial Number US 0G404120 and Below

The fuel pumps of outboards listed, may fail when exposed to contaminated or stale fuel. Affected diaphragms have the potential to crack and allow fuel to enter the crankcase. Oil dilution and lack of proper lubrication could eventually lead to an engine failure.

### Owner Notification

Due to the very low probability of a failure, a customer letter will not be issued.

### Inspection

The fuel pump diaphragms of outboards listed, should be inspected during pre-delivery or when unit is in for service work.

### Dealer Outboard Inventory

Affected outboards in dealer inventory **MUST BE** reworked prior to customer delivery.

### Service Parts Stock

Return all 826398A1 Fuel Pump Assemblies and all 809651 Fuel Pump Diaphragms to Mercury Marine for credit.

### Parts Required

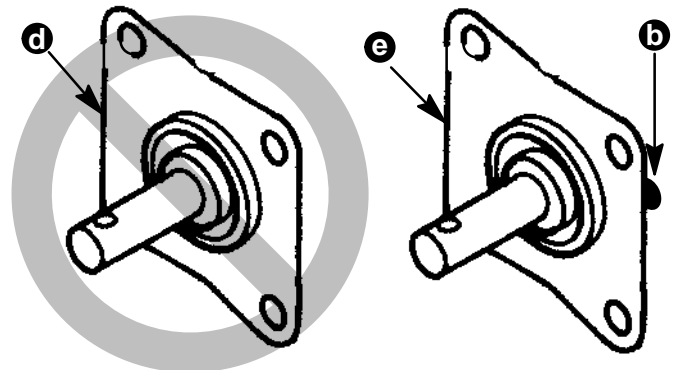
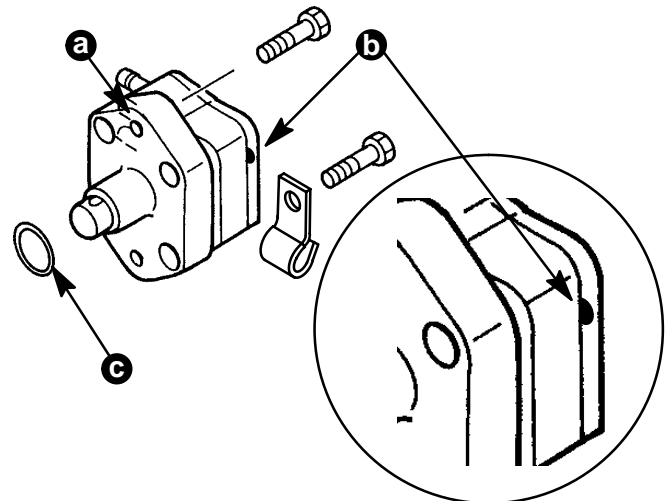
PART NO.	DESCRIPTION	QTY
826398A3	Fuel Pump Assembly	1
25-825492	O-Ring	1

### Correction

**IMPORTANT:** Refer to outboard service manual for proper fuel pump removal and installation instructions.

The complete fuel pump should be replaced along with a new O-ring.

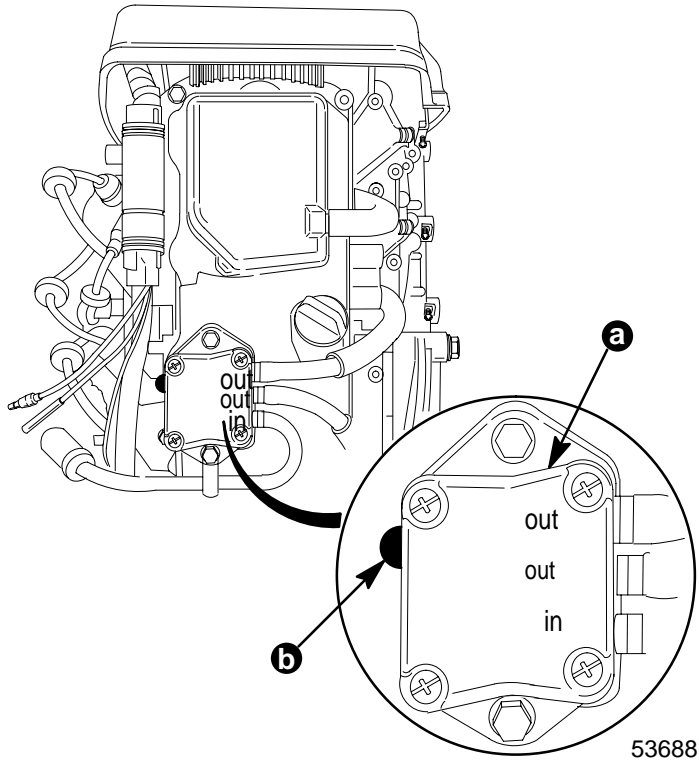
Check for fuel system leaks.



- a - Fuel Pump Assembly (p/n 826398A3)
- b - Identification Tab (Updated Fuel Pump Diaphragm)
- c - O-Ring (p/n 25-825492)
- d - Diaphragm (p/n 809651) **MUST BE** Replaced
- e - Diaphragm (p/n 809651--2) Updated

## Repair Identification

Fuel pumps with updated fuel pump diaphragms are identified by a small tab of the diaphragm protruding from the split line of the fuel pump.



- a - Fuel Pump Assembly (p/n 826398A3)
- b - Identification Tab (Updated Fuel Pump Diaphragm)

## Warranty

Complete a warranty claim listing:

- Outboard serial number(s)
- Qty 1 p/n 826398A3 Fuel Pump Assembly
- Qty 1 p/n 25-825492 O-Ring
- Three tenths (0.3) hours labor
- Labor Rate Code: CF13
- Failure Code: 754 00

**USA and CANADA:** Complete and return warranty claim form. Tag and hold drained fuel pump assembly for 60 days after warranty credit is received.

**INTERNATIONAL:** Tag and hold drained fuel pump assembly for inspection/disposal by a Marine Power International technical representative.