

CDM Ground Wire Breaking - 75 thru 125

Models Affected

1997 Mariner and Mercury

75/90

S/N 0G449551 thru 0G497918 USA
S/N 09934137 thru 09940283 Belgium

100/115/125

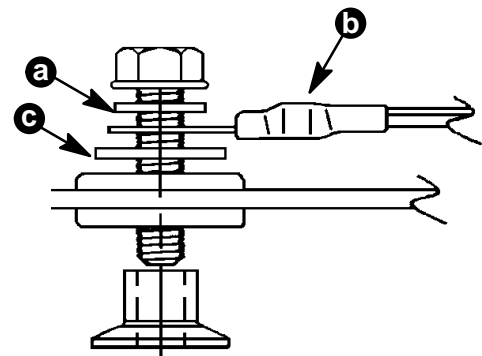
S/N 0G449611 thru 0G497918 USA
S/N 09934128 thru 09940283 Belgium

On some of the 3 cylinder 75 HP and 90 HP models listed above, the engine wire harness CDM ground terminal with three black wires may break off resulting in a no spark condition. The failure occurs when the wire ring terminal on the three black ground wires contacts the CDM case and bends the terminal as the rubber mounted electrical plate moves. We have NOT received a documented failure on 100/115/125 models. All 75-125 models after the serial group listed will have the terminal installed on top of the existing large washer, a small stainless steel washer added under the head of the mounting bolt, and the terminal positioned correctly as shown in the following diagrams.

Correction

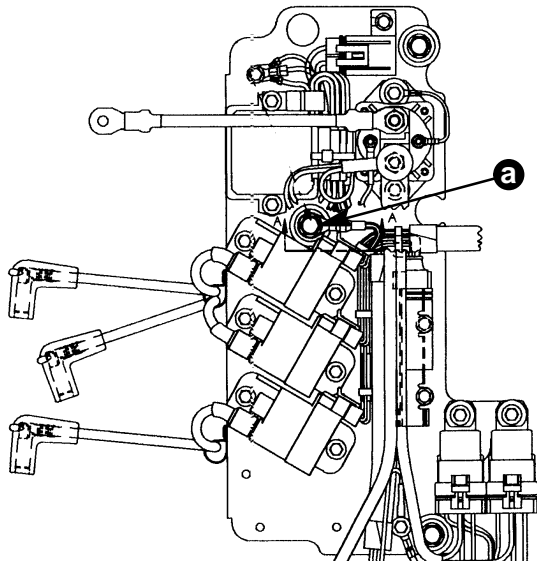
Rework all 75 and 90 models before delivery to the customer. It is not necessary to rework 100, 115, or 125 models within the serial number range listed.

The CDM ground wire terminal must be installed:
between the original large washer 12-56720 (bottom) and new stainless steel small washer 12-36001 washer (top).
with the wire crimp "UP" (away from the mounting plate).
with the wire crimp positioned at 3 o'clock on the 75/90.



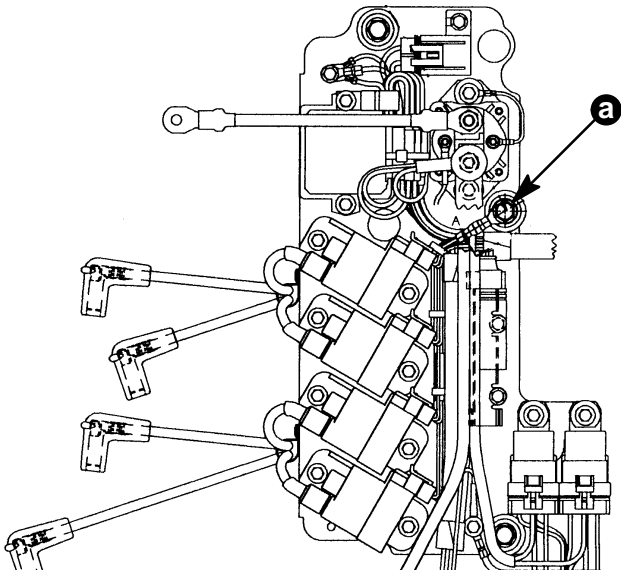
- a - New Small Stainless Steel Washer P/N 12-36001
- b - Wire Ring Terminal with Crimp Facing "UP"
- c - Existing Large Washer P/N 12-56720 Under Terminal

Figure 1. Terminal Installation



a - Terminal at 3 o'clock

Figure 2. 75 & 90 Terminal Position



a - Terminal at 8 o'clock

Figure 3. 100-125 Terminal Position

Factory Rework

Belgium and Fond du Lac inventory of 75 and 90 models have been reworked. Reworked units will have a red square next to the serial number on the outside of the shipping carton.

Warranty

Complete warranty claim listing:

- Outboard Serial Number
- Quantity 1 P/N 12-36001 Washer
- One Half (0.5) Hour Labor
- Warranty Labor Rate Code: NJC
- Failure Code: 331 17