

Carburetor Main Jet Replacement – 1991 Mariner/Mercury 60 51.8 CID (849cc) Models

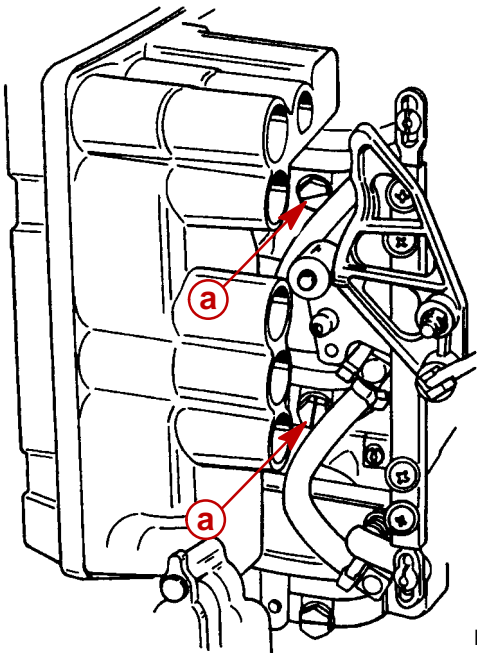
1991 Mariner/Mercury 60 51.8 CID (849cc) Models
United States s/n 0D036740 and below
Outboards listed, require carburetor main jet replacement as an extra margin of durability during the engine break-in period, or when using marginal or poor quality fuels. Replace existing .068 main jets in the top two carburetors, with larger .070 main jets.

PARTS REQUIRED:

Qty. 2 p/n 1395-6030 Main Jet (0.070 in.)

REPAIR PROCEDURE:

1. Remove main jet access plugs from top two carburetors (Figure 1).

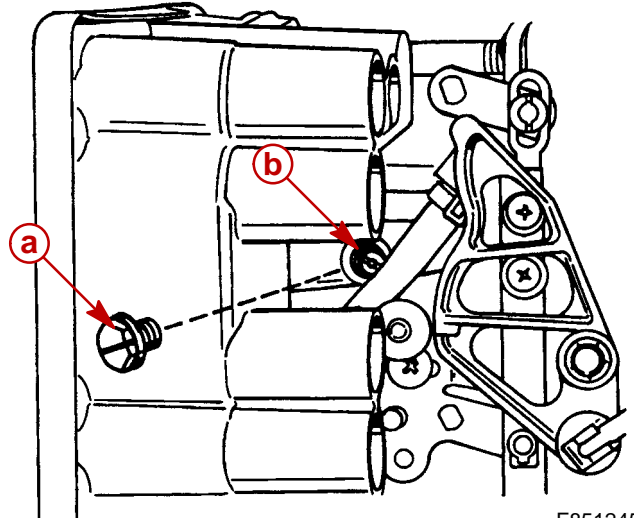


F851245a

Figure 1.

a - Main Jet Access Plug

2. Replace existing .068 main jets in the top two carburetors with larger .070 main jets (Figure 2).



F851245b

Figure 2.

a - Main Jet Plug

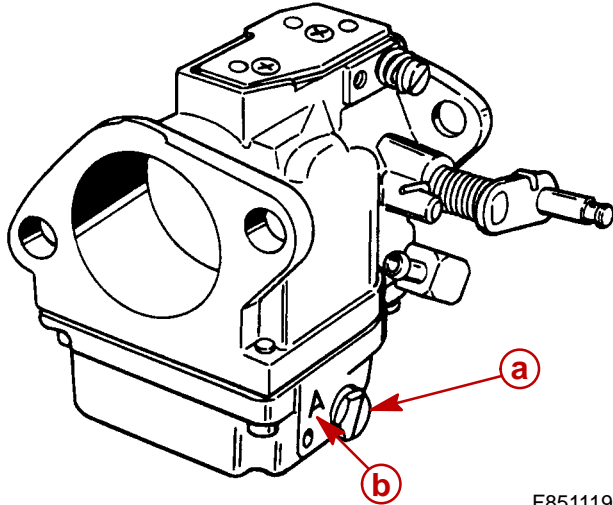
b - Main Jet

3. Reinstall main jet access plugs with gaskets. Tighten plugs securely.
4. Start engine and CHECK FOR FUEL LEAKS.

IDENTIFY REPAIR:

Mark main jet access plug (Figure 3) of each repaired carburetor with a, black mark.

Carburetors that have been reworked at the factory are identified by the letter "A" stamped on the side of the float bowl, in addition to a black mark on the main jet access plug.



F851119d

Figure 3.

- a** - Main Jet Access Plug
- b** - Factory Rework Stamp "A"

WARRANTY:

Complete warranty claim listing;

Outboard serial number.

Qty. 2 p/n 1395-6030 Main Jet (0.070 in.)

One half (0.5) hour labor.

Flat rate code OF13