

Hesitation and/or Surge - Mariner and Mercury 175

1990 and 1991 Mariner and Mercury 175 with WMH 2 and WMH 2A Carburetors

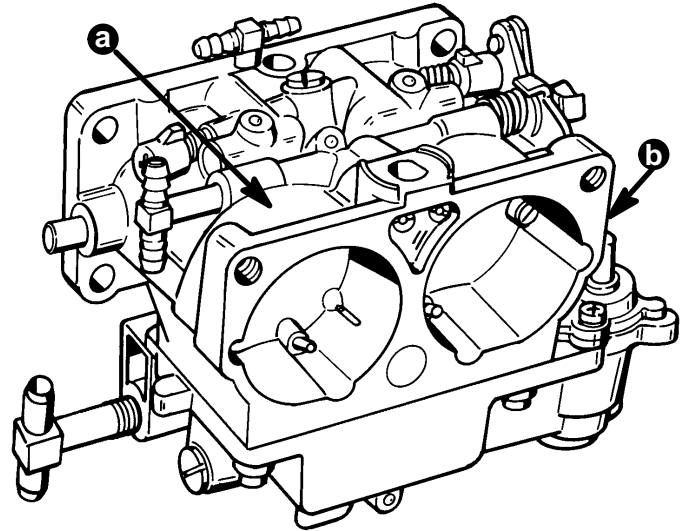
s/n 0C221500 - 0D050605

Models listed with WMH 2 and WMH 2A carburetors may have one or more of the running characteristics described.

1. Lean Off Idle
 - hesitates when accelerated from idle.
 - drops RPM or quits running when operated between 1000 and 1500 RPM.
2. Lean Deceleration
 - hesitates or dies when throttled up after deceleration from high RPM. Usually occurs when the operator throttles up the engine after coming off plane to prevent the back wash from entering the boat.
3. Rich Surge
 - surges as the boat starts to plane during fast acceleration. Usually occurs at approximately 3000 RPM. The more trim-in angle, the worse the surge, especially with high degree (15 to 20 degree) transom.

Check the basics first – carburetor adjustment, timing/carburetor synchronization, ignition and fuel system. On WMH 2 carburetors, try to correct the lean off idle situation by making the idle richer. Turn all of the six idle mixture screws 1/8 turn counterclockwise (richer), test and repeat if necessary.

If the running quality cannot be improved on outboards with either the WMH 2 or the WMH 2A carburetors, replace them. Replace the three carburetors on the outboard with WMH 11A carburetors p/n 3308-9672A31/A32/A33. Outboards with s/n 0D050606 and above have the WMH 11A carburetors installed.



50693

- a - Carburetor Model (WMH)
b - Carburetor Number (2-1, 2-2, etc.)

WARRANTY:

Complete a warranty claim listing:

Outboard serial number

Parts

Qty. 1	p/n 3308-9672A31	Carburetor	WMH 11A-1
Qty. 1	p/n 3308-9672A32	Carburetor	WMH 11A-2
Qty. 1	p/n 3308-9672A33	Carburetor	WMH 11A-3
Qty. 3	p/n 27-67751--1	Gasket, Carburetor flange	
Qty. 7	p/n 54-816311	Sta-straps	

Two (2) hours labor

Flat Rate Code

- 0F11 for one carburetor for one hour labor
0F12 for each additional carburetor for 0.5 hour each

Parts Replaced:

- US and Canada – Return parts with claim.
International – Hold parts for inspection/disposal by a Marine Power International technical representative.