

Air Leak/Fuel Restriction-Plastic Fuel Tank – 6.6 Gallon

Models: All Mercury and Mariners shipped with the 6.6 gallon plastic fuel tank

QUICKSILVER:

P/N 1259-812410A 1 Fuel Tank

Air Leak: January 1, 1990 date code and earlier

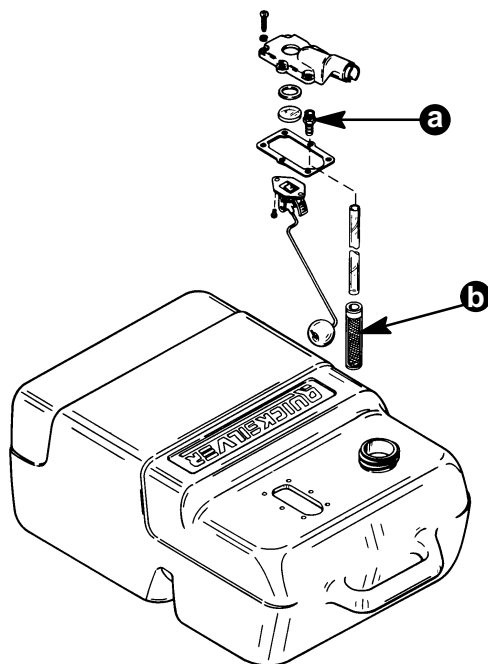
Fuel Restriction: August 1, 1988 date code and earlier

See Figure 3 for date code location.

Some engines could experience a lean running condition and/or a slight hesitation or surging at wide open throttle. Symptoms may be caused by:

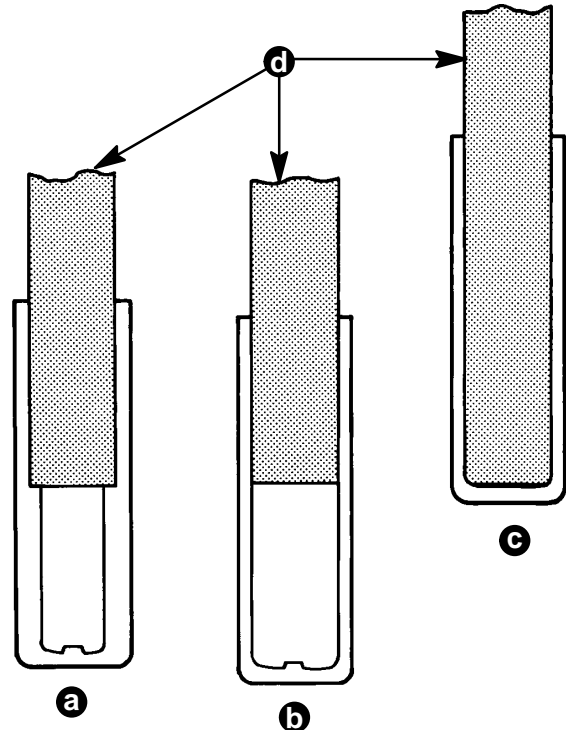
Air Leak: Fuel tank may have an air leak in the fuel pick-up. The brass threads of the adaptor (Figure 1) may not have any sealer on the threads. Tanks supplied with engines and Quicksilver stock listed require inspection of the fuel tank pick-up assembly.

Fuel Restriction: Fuel tank may contract due to varying weather conditions. If sufficient contraction takes place, the pick-up filter could restrict fuel flow to the engine (Figure 2). This is caused by the pick-up filter bottoming out when the tank contracts, pushing the filter up on the pick-up tube.



a - Adaptor
b - Pick-up Filter

Figure 1 Fuel Tank (Plastic 6.6 Gallon)
P/N 1259-812410A1



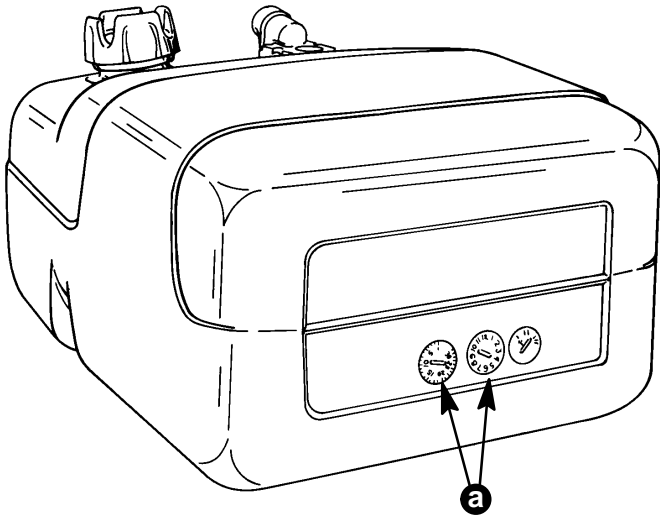
a - "New" Shouldered Fuel Filter
b - "Old" Unrestricted Fuel Filter
c - "Old" Restricted Fuel Filter
d - Fuel Pick-up Hose

Figure 2

51286

INSPECTION:

Date Code:



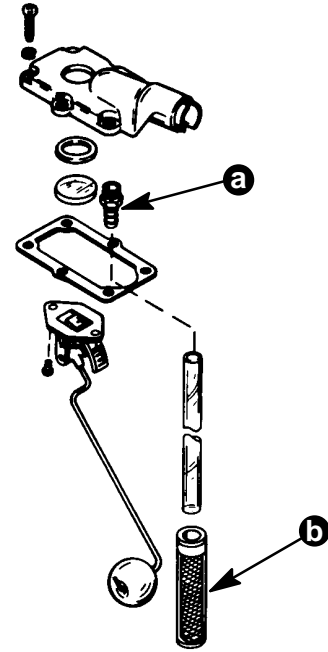
51298

a - Date Code Location

Figure 3 Backside of Fuel Tank

a - Adaptor
b - Filter

Figure 4



REPAIR:

Remove adaptor from pick-up body assembly.

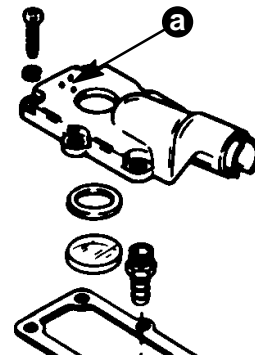
Air leak: Apply a light coat of Perfect-Seal (P/N 92-34227--1) to the adaptor threads (Figure 4).

Fuel Filter Restriction: Remove the fuel filter from the fuel pick-up line and discard it. Install a new filter (P/N 35-18029) in its place. The fuel filter is shouldered, (Figure 2).

Reassemble: install a new pick-up body gasket, (P/N 27-18026).

IDENTIFICATION:

Mark the pick-up body using a centerpunch. Three punch marks (Figure 5) in a triangular formation, (:.). Use a small dab of paint on the punch marks to prevent corrosion. This will aid your dealership in future service identification.



a - Three Punch Marks

Figure 5 Pick-up Body

SERVICE TIP:

Do not use Teflon tape to seal the adaptor threads.

WARRANTY:

Complete warranty claim listing:

Outboard Serial Number (if applicable)

Qty. 1 35-18029 Fuel Filter

Qty. 1 27-18026 Pick-up Body Gasket

Flat Rate Code: EXCP

One half (0.5) hour labor