

Carburetor Main Jet Change 1993 100/115 Models

Mariner and Mercury

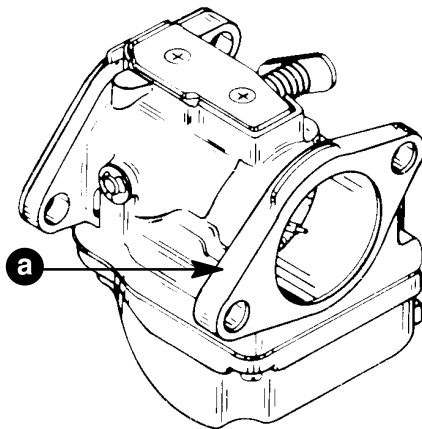
1993 100 Model

S/N 0D182000 thru 0D230835

1993 115 Model

S/N 0D182000 thru 0D229893

The outboards listed require the installation of a .002 larger main fuel jet in all four carburetors. The larger main jets will provide an extra margin of durability, especially during engine break-in, or when using marginal or poor quality fuels. Models produced after the serial numbers listed have the larger jets installed and a "B" stamped between the carburetor number and the julian date on the air box mounting flange.

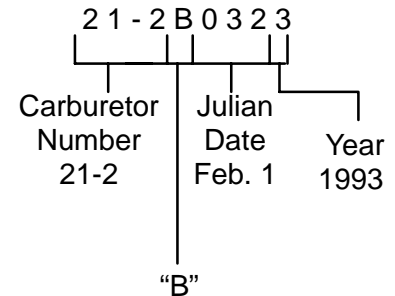


51261

a - Carburetor Number Location.

Figure 1. WME Carburetor

Stamp on WME Carburetor Mounting Flange



CORRECTION:

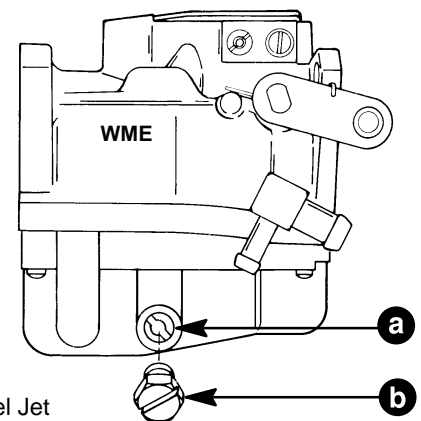
100 Models - Install a .056 main fuel jet p/n 1399-5213 in all four carburetors.

115 Models - Install a .078 main fuel jet p/n 1395-6680 in all four carburetors.

Remove main fuel jet access plugs, gaskets and main fuel jets from the carburetors.

Install correct main jets. Reinstall access plugs and gaskets.

Check for fuel leaks.



51118

a - Main Fuel Jet
b - Access Plug

Figure 2. Port Side View

PARTS REQUIRED:

100 Models -

Qty. 4 p/n 1399-5213 Main Jet (0.056 in.)

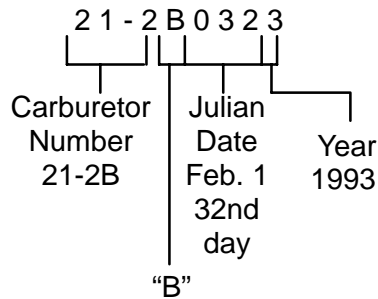
115 Models -

Qty. 4 p/n 1395-6680 Main Jet (0.078 in.)

IDENTIFICATION:

Color the hex of all four access plugs black. Stamp a "B" over the "A" that is between the carburetor number and the julian date on the top of the air box mounting flange - starboard side (figure 1).

Stamp on Carburetor Flange



MERCURY MARINE INVENTORY:

The "A" carburetors with the smaller jets were re-worked into "B" carburetors. Rework consisted of installing the larger jets and stamping the letter "B" next to the carburetor number. The part number of the carburetor did not change with the larger main jet.

100 Model Carburetor

P/N 3301-9532A12
WME 20-1A with .054 main jet
changed to
WME 20-1B with .056 main jet

P/N 3301-9532A13
WME 20-2A with .054 main jet
changed to
WME 20-2B with .056 main jet

P/N 3301-9532A14
WME 20-3A with .054 main jet
changed to
WME 20-3B with .056 main jet

P/N 3301-9532A15
WME 20-4A with .054 main jet
changed to
WME 20-4B with .056 main jet

115 Model Carburetor

P/N 3301-9012A77
WME 21-1A with .076 main jet
changed to
WME 21-1B with .078 main jet

P/N 3301-9012A78
WME 21-2A with .076 main jet
changed to
WME 21-2B with .078 main jet

P/N 3301-9012A79
WME 21-3A with .076 main jet
changed to
WME 21-3B with .078 main jet

P/N 3301-9012A80
WME 21-4A with .076 main jet
changed to
WME 21-4B with .078 main jet

WARRANTY:

Complete warranty claim listing:

Outboard serial number.

100 HP -

Qty. 4 - 1399-5213 Main Jet (0.056)

115 HP -

Qty. 4 - 1395-6680 Main Jet (0.078)

One (1) hour labor.

Labor rate Code OF13.

Failure Code 705 40