

## Water Pump Base Replacement - 30/40

### Mariner and Mercury

1994<sup>1</sup>/<sub>2</sub> 30/40  
 Serial Number  
 US 0G053314 thru 0G071765

Outboards listed, may have had the lower seal in the water pump base damaged during manufacturing. Damage to this seal could, after prolonged operating time allow water to enter the gear housing causing damage.

### OWNER NOTIFICATION:

As there were only a small number of registered units at the time this problem was detected, a customer letter will not be issued.

Please contact the owners of any affected outboards that your dealership may have delivered and arrange to have the water pump base replaced.

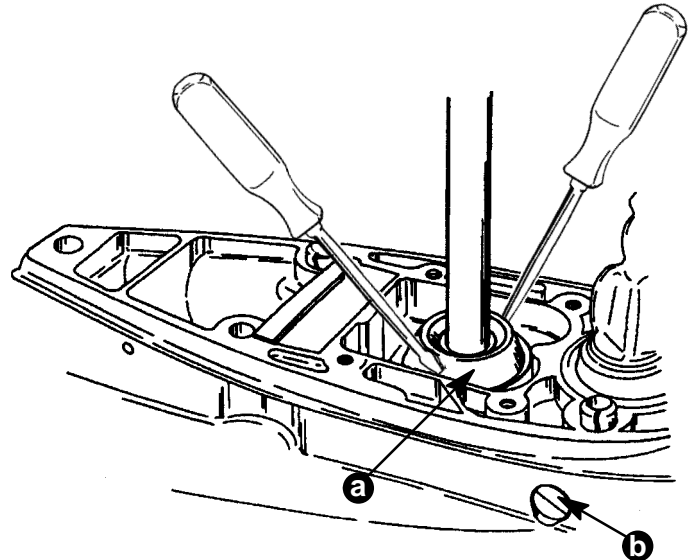
### CORRECTION:

**IMPORTANT: Remove any burrs on the drive shaft using 320 grit carborundum cloth prior to removing the water pump impeller.**

1. Remove the gear housing assembly and disassemble the water pump components to gain access to the water pump base. Refer to 30/40 Service Manual 90-826148.
2. With the gear housing secured in the upright position, remove the vent plug.

**IMPORTANT: Protect the gasket surfaces of the water pump area of the gear housing with a shop towel when removing the water pump base.**

3. Use a locking pliers to pull, or two screw drivers to pry the water pump base out of the gear housing (Figure 1).

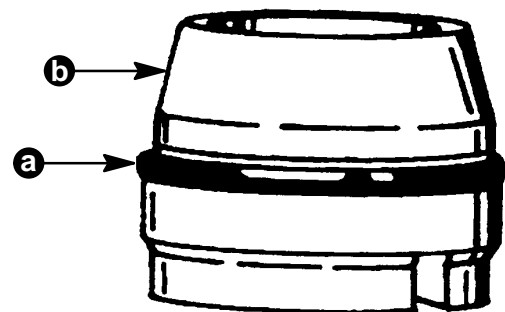


a - Water Pump Base  
 b - Vent Plug

### Figure 1. Water Pump Base Removal

*NOTE: If you are not able to remove the water pump base as described, remove the water pump base along with the drive shaft as outlined in the service manual.*

4. Apply a light coating of 2-4-C Marine Lubricant with Teflon (92-825407A12) onto a new o-ring and install the o-ring into the groove around the replacement water pump base (Figure 2).



a - O-Ring  
 b - Water Pump Base

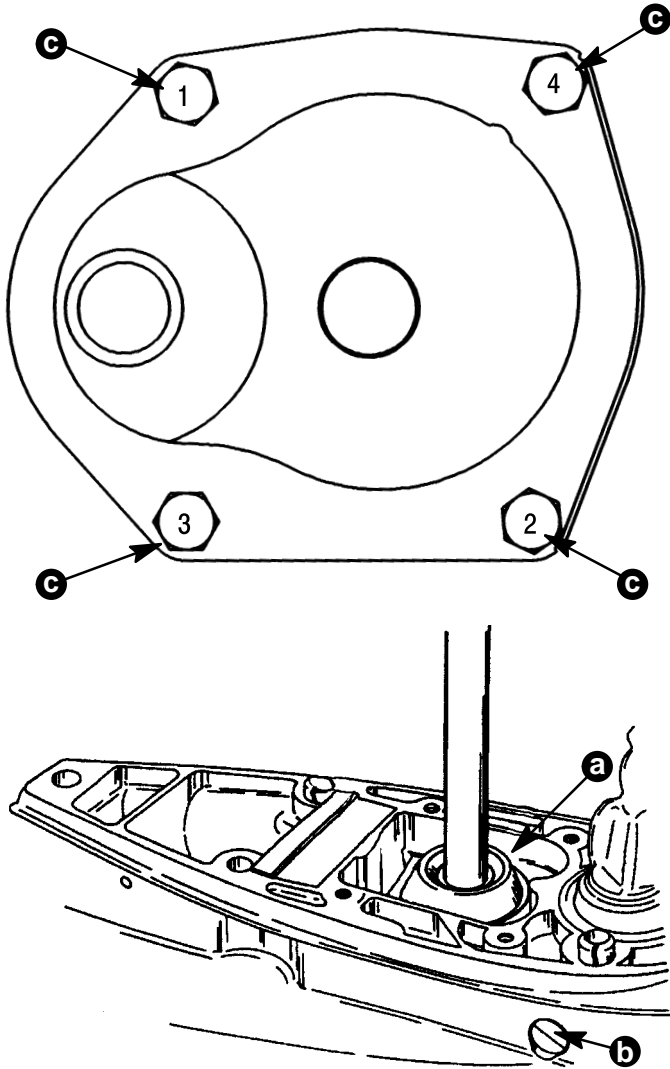
### Figure 2. O-Ring Installation.

52825

5. Push the new water pump base into gear housing (Figure 3).

**IMPORTANT:** When installing water pump cover, make sure drive shaft is centered in opening of pump cover and pump cover screws are torqued in sequence shown. The drive shaft should be free to be turned by hand and not rub on the water pump cover.

6. Assemble the water pump components (with new gaskets), install the vent plug, and install gear housing as outlined in 30/40 Service Manual 90-826148.



52832

- a - Water Pump Base
- b - Vent Plug
- c - Bolts [Torque 60 lb. in. (6.8 N·m) ]

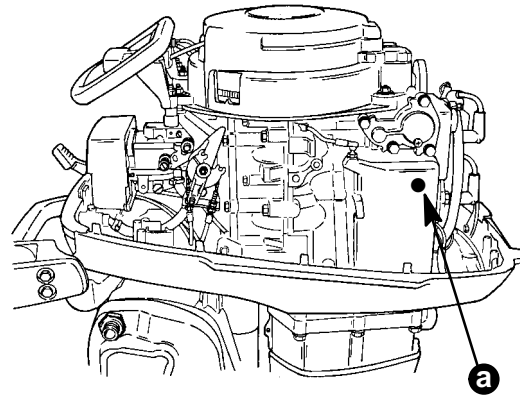
**Figure 3. Water Pump Base Installation**

7. Mark a repaired outboard with a white paint dot on the upper rear corner of the exhaust cover (Figure 4).

## REWORK/PART IDENTIFICATION:

Outboards with in the serial number range listed that have been reworked at the factory are identified by:

- A blue dot sticker applied on the outboard serial number label of the shipping carton.
- A white dot painted on the upper rear corner of the exhaust cover (Figure 4).



a - White Paint Dot

**Figure 4. Rework Identification**

### DEALER SERVICE STOCK:

Replace the water pump base for any of the following service assemblies/accessory kits in your stock that have a date code prior to "03 MAR 94".

Part Number	Description
46-821307A2	Water Pump Base
1682-821306A8	Gear Housing (Short-Black)
1682-821306A6	Gear Housing (Long-Black)
1682-821306A10	Gear Housing (LL-Long Black)
1682-821306A9	Gear Housing (Short-Gray)
1682-821306A7	Gear Housing (Long-Gray)
1682-821306A11	Gear Housing (LL-Long Gray)
1682-821306A12	Gear Housing (Basic-Black)
1682-821306A13	Gear Housing (Basic-Gray)
824072A3	Drive Shaft Extension Kit (Black)
824072A4	Drive Shaft Extension Kit (Gray)

### DEALER OUTBOARD INVENTORY:

Affected outboards in dealer inventory MUST BE re-worked prior to customer delivery.

### WARRANTY:

#### Outboards:

- Complete a warranty claim listing:
- Outboard serial number.
- Qty. 1 p/n 46-821307A2      Water Pump Base
- Qty. 1 p/n 27-822189      Gasket - Water Pump Cover
- Qty. 1 p/n 27-822217      Gasket - Water Pump Face Plate
- 1.3 hours labor
- Labor Rate Code: NJC
- Failure Code: 613 00

### Dealer Service Stock:

Complete a warranty claim listing:

- The part number of the service assembly/accessory kit that you are replacing the water pump base on. Multiple part numbers can be listed on a single claim.
- Qty. 1 p/n 46-821307A2      Water Pump Base
- Qty. 1 p/n 27-822189      Gasket - Water Pump Cover
- Qty. 1 p/n 27-822217      Gasket - Water Pump Face Plate
- 0.3 hours labor
- Labor Rate Code: NJC
- Failure Code: 613 00

### Outboards/Dealer Service Stock:

US and Canada: Return water pump base assemblies with warranty claim.

International: Hold water pump base for inspection/disposal by a Marine Power International technical representative.