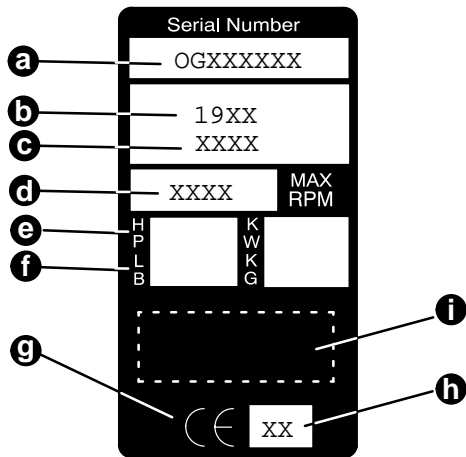


## Outboard Serial Number Decal and Shipping Carton Information

### Outboard Serial Number Decal

Late 1995 model outboards and 1996 and newer model outboards will have additional information added to the serial number decal. This information will include model year, model designation, maximum RPM, weight, Certified Europe insignia, and year manufactured. (Note: Japan build 2.5 thru 5 HP will not have the Certified Europe insignia and year manufactured). See the sample decal shown below for location of this information.

This information will enable the dealers, buyers, and lenders to easily determine the model year and model designation.

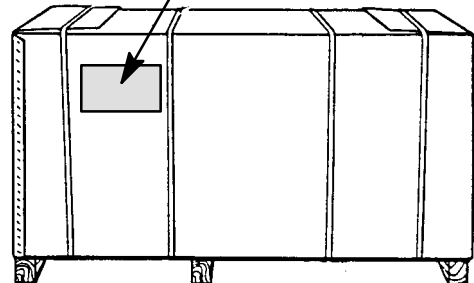


- a - Serial Number
- b - Model Year
- c - Model Designation
- d - Maximum RPM
- e - Horsepower (Kilowatts)
- f - Approximate Weight - Pounds (Kilograms)
- g - Certified Europe Insignia
- h - Year Manufactured
- i - Build Location

### Outboard Shipping Carton

Late 1995 model outboards and 1996 and newer model outboards will have additional information added to the bar code label. This information will include the outboard model year and boxing date (Julian date). See the sample bar code label shown below for location of this information.

Model	XXXXXXXX XXXXXXXXXXXXXXXXXX	XX	<b>a</b>
Sales Code	XXXXXXXXXXXX		
Serial No.	OGXXXXXX	XXX	<b>b</b>



- a - Outboard Model Year
- b - Boxing Date (Julian Date) 031 = January 31