



service bulletin

No. 95-19

TURN KEY START KIT - SPORT JET 90

Models Affected

1993 & 1994 Sport Jet 90
Serial Number 0E023150 thru 0E095086

Since its introduction on the 1995 Sport Jet models, the "Turn Key Start" feature has been well received by boat manufacturers, dealers and consumers. The simplified starting procedures and quick, sure starts have drawn compliments from users. Because of this, we have received many requests for a "Turn Key Start" kit for installation on earlier Sport Jet models.

Mercury Engineering has developed a kit. Major components of the kit are:

1. Carburetors and sound attenuator assembly
2. Carburetor manifold assembly
3. Enricher valve assembly
4. Stator assembly
5. Rev limiter

The part number for the kit is **830883A 1**.

Dealer cost is **\$297.57**.

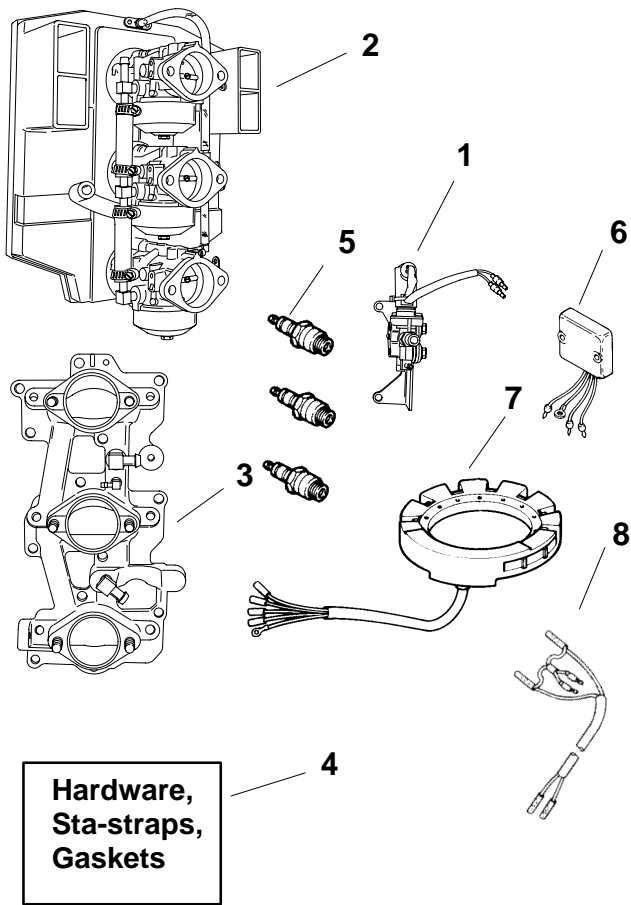
Suggested retail price is **\$495.95**.

Installation will require approximately four (4) hours.

NOTE: On some installations, it may be necessary to modify the area of the boat in front of the new style sound attenuator for additional clearance.

The "Turn Key Start" Kit is now available and can be ordered through your normal distribution channel.

Components In Kit



Ref.	Description	Qty.
1	Turn Key Start Assembly N.S.S.	1
2	Carburetor Assembly N.S.S.	1
3	Carburetor Adaptor Assembly N.S.S.	1
4	Screw (1/4-20 x 1-1/4") (10-F2030)	2
4	Reed Plate Adaptor Gasket (27-F85168-2)	1
4	Flywheel Lock Nut (11-F1968)	1
4	Puddle Drain Fitting 1993 Models (22-88780)	1
4	Puddle Drain Hose 14" 1993 Models (32-99130122)	1
4	Hose, 4-3/4" (32-827243-16)	1
4	Intake Manifold Gasket (27-819733)	2
4	Intake Manifold Gasket (27-F85159-1)	1
4	Fuel Hose 38" (32-827228-81)†	1
4	Carburetor Gasket (27-828925)	3
4	Sta-Strap, Small (56762)	6
4	Sta-Strap, Medium (54-816311)	4
4	Carburetor Cap Plug (19-815784)	3
4	Male Connector Plug (13541)	1
4	Female Connector Plug (13540)	1
4	S.S. Clamp #6 (54-F698772)	2
4	S.S. Clamp, Small (54-815504-104)	4
5	Spark Plug (33-821C)	3
6	Rev. Limiter- Sport Jet 90 (821889A18)	1
7	Stator (9873A32) w/ Adaptor Harness (84-11149A19)	1
8	Enrichner Harness 1993 Models (84-831262A1)	1
8	Enrichner Harness 1994 Models (84-831262A2)	1

N.S.S. (Not Sold Separately)

† - Class A1 Fuel Line