

Water Pump Base Cracked – 50 thru 60

Models Affected

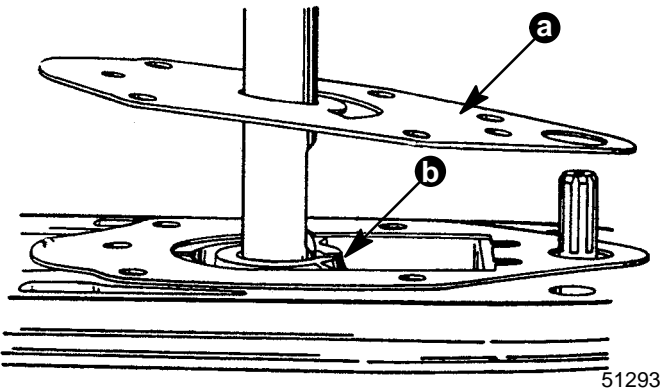
Mariner/Mercury 1997 50/55/60 HP

Serial Number

USA 0G554271 thru 0G567001

Belgium Product is NOT Affected

The water pump base on the models listed may crack and allow water to enter the gearcase causing a premature gear failure. Product previous to the serial numbers listed are not affected. The crack is caused by a combination of brittle material and incorrect clearance for the seal. A new water pump base p/n 46-812966A9 is changed in design and made of a more durable material to resist cracking.



a - Water Pump Base Plate

b - Front Area May Crack

Gearcase assemblies, water pump kits, and water pump bases have been reworked beginning April 1997.

Outboards reworked at the factory are identified.

The serial number is listed in this bulletin and an orange dot is on the outside of the shipping carton next to the serial number.

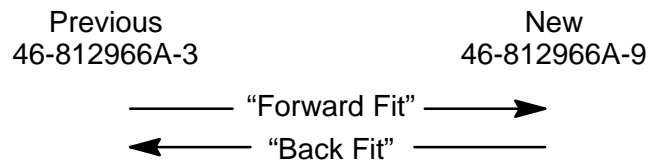
OR

An orange dot is on the thermostat/poppet valve cover and an orange dot is on the outside of the shipping carton next to the serial number.

Outboards within the serial number listed that are not reworked should have the water pump base replaced before delivery to the customer or when servicing.

Parts Interchangeability

Water pump base p/n 46-812966A3 supersedes to p/n 46-812966A9. Previous water pump base may be used on new product – “forward fit”. New water pump base can be used on previous product – “back fit”.



Service Parts Stock

Replace any 46-812966A3 water pump base (individual or in kits) in your dealership service stock that is cracked or has a box date in February or March of 1997. Return the unused base(s) with the warranty claim. Continue to use up the good older stock of the previous water pump base p/n 46-812966A3. Mercury Marine’s inventory was converted to the new water pump base in April 1997.

Inspection/Test

On the non-reworked models within the serial numbers listed replace the water pump base:

Before delivery of a new outboard to the customer.

When servicing an outboard.

Correction

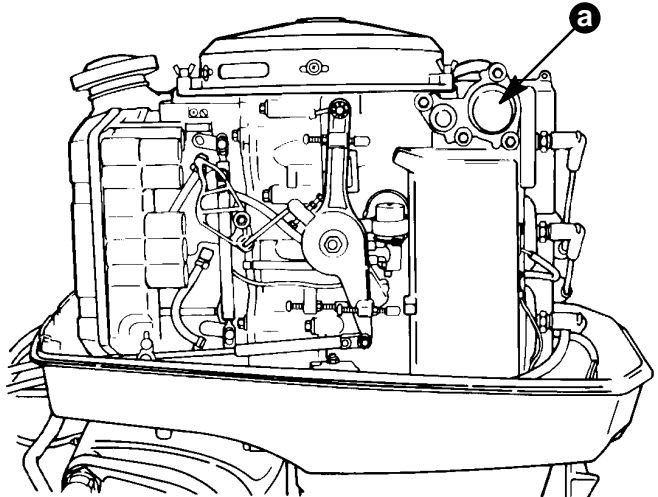
Install a new water pump base p/n 46-812966A9, install new water pump gaskets, pressure test, assemble lower unit to outboard, and identify that the outboard was repaired by placing a white paint dot on the thermostat/poppet valve cover.

Parts Required

Qty. 1 P/N 46-812966A9 Water Pump Base
Qty. 1 P/N 27-19701 Water Pump Gasket - Lower
Qty. 1 P/N 27-822189 Water Pump Gasket - Upper

Repair Identification

Repair at the dealership should be marked with a white dot on the thermostat/poppet valve cover.

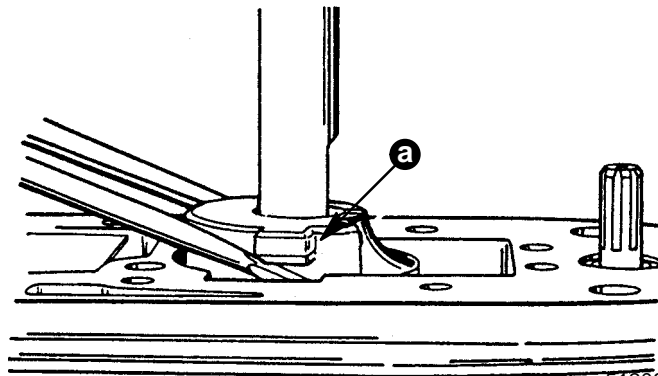


50554

a - Thermostat/Poppet Valve Cover

Service Information

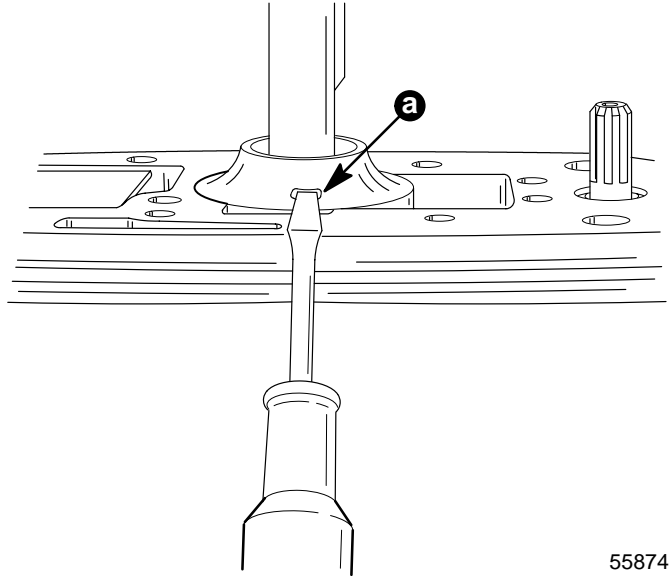
The previous water pump base p/n 46-812966A3 has a pry tab on each side to assist in removal from the gear housing.



51206

a - Pry Tabs

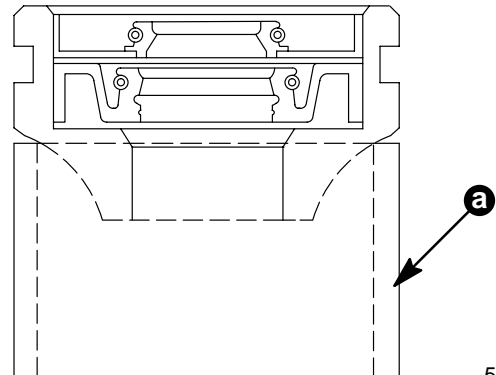
New water pump base p/n 46-812966A9 has a pry slot on each side to assist in removal from the gear housing. The slots must be positioned to the sides of the gear housing to allow for easy removal of the base if future servicing is required.



55874

a - Pry Slots.

The water pump base must be properly supported on the outer edge when installing the seals into an empty base. The base is thinner on the outer edge of the seal area and breakage could occur if it is supported only on the center. Use a suitable mandrel that supports and contacts the outer surface of the base.



55878

a - Support Mandrel.

Factory Reworked Outboards

These outboards are reworked, but do not have an orange dot on the thermostat/poppet valve cover. Other factory reworked outboards have an orange dot on the thermostat/poppet valve cover.

0G531347	0G554575	0G554834	0G555395	0G555703	0G556162
0G531348	0G554576	0G554840	0G555399	0G555704	0G556171
0G531355	0G554582	0G554841	0G555400	0G555706	0G556190
0G531357	0G554583	0G554918	0G555404	0G555707	0G556196
0G531358	0G554584	0G554921	0G555405	0G555813	0G556197
0G531360	0G554585	0G554993	0G555406	0G555819	0G556199
0G554272	0G554589	0G554994	0G555419	0G555820	0G556200
0G554273	0G554591	0G554996	0G555433	0G555848	0G556218
0G554274	0G554595	0G554997	0G555437	0G555859	0G556228
0G554296	0G554601	0G555001	0G555489	0G555911	0G556260
0G554297	0G554610	0G555050	0G555492	0G555912	0G556290
0G554299	0G554611	0G555052	0G555493	0G555913	0G556292
0G554312	0G554612	0G555059	0G555500	0G555914	0G556295
0G554320	0G554614	0G555066	0G555502	0G555915	0G556298
0G554329	0G554686	0G555084	0G555504	0G555916	0G556694
0G554330	0G554691	0G555088	0G555506	0G555935	0G564815
0G554334	0G554700	0G555099	0G555510	0G555956	0G564818
0G554359	0G554702	0G555167	0G555511	0G555986	0G564820
0G554364	0G554708	0G555169	0G555514	0G555987	0G564825
0G554366	0G554711	0G555170	0G555520	0G555988	0G564826
0G554367	0G554713	0G555171	0G555523	0G555993	0G564827
0G554402	0G554716	0G555172	0G555530	0G555997	0G564829
0G554420	0G554718	0G555174	0G555531	0G555998	0G564830
0G554440	0G554719	0G555175	0G555534	0G556002	0G564831
0G554495	0G554720	0G555176	0G555537	0G556003	0G564832
0G554504	0G554722	0G555178	0G555539	0G556004	0G564833
0G554508	0G554723	0G555180	0G555540	0G556006	0G564834
0G554509	0G554725	0G555186	0G555541	0G556008	0G564835
0G554511	0G554743	0G555191	0G555542	0G556030	0G564836
0G554512	0G554746	0G555192	0G555544	0G556054	0G564838
0G554513	0G554747	0G555195	0G555545	0G556056	0G564840
0G554515	0G554751	0G555206	0G555547	0G556058	0G564844
0G554526	0G554771	0G555216	0G555553	0G556058	0G564845
0G554528	0G554776	0G555220	0G555561	0G556063	0G564851
0G554532	0G554782	0G555224	0G555581	0G556069	0G564853
0G554534	0G554783	0G555226	0G555585	0G556128	0G564856
0G554537	0G554784	0G555227	0G555587	0G556131	0G564857
0G554557	0G554785	0G555228	0G555597	0G556135	0G564858
0G554559	0G554809	0G555237	0G555599	0G556136	0G564861
0G554561	0G554822	0G555311	0G555689	0G556150	0G564862
0G554565	0G554823	0G555336	0G555693	0G556153	0G564862
0G554566	0G554824	0G555343	0G555695	0G556157	0G564863
0G554567	0G554825	0G555388	0G555696	0G556158	0G564868
0G554571	0G554826	0G555389	0G555698	0G556159	0G564869
0G554574	0G554833	0G555391	0G555700	0G556161	0G564874

Warranty

Complete warranty claim listing:

Outboard serial number

Qty. 1 P/N 46-812966A9 Water Pump Base

Qty. 1 P/N 27-19701 Water Pump Gasket - Lower

Qty. 1 P/N 27-822189 Water Pump Gasket - Upper

One (1.0) hour labor

Warranty labor rate code – NJC.

Failure code – 609 00.

US & Canada –

Dealer Service Stock – Return base(s) with warranty claim.

Replaced Base – Tag and hold replaced base for 60 days after the warranty credit is received.

International – Hold parts for inspection/disposal by a Marine Power International technical representative.