



service bulletin

No. 97-12

Revised 10-22-97

Gear Failures - 40/50 and 45/50

NOTICE

This is a revision of Service Bulletin 97-12. Destroy Bulletin 97-12 and insert this revised Bulletin 97-12 10-22-97. Changes are underlined.

Models Affected

MARINER/MERCURY

1997-1/2 and 1998

40 (3 Cylinder - 2 Stroke)

Serial Number

USA 0G531301 thru 0G601815

Belgium Not Affected

1998

50 (3 Cylinder - 2 Stroke)

Serial Number

USA 0G590000 thru 0G601815

Belgium Not Affected

1997 and 1998

45/50 (4 Cylinder - 4 Stroke)

Serial Number

USA 0G472853 thru 0G602720

The outboards listed require replacement of the original 1.83:1 ratio gear housing assembly due to an incorrect pinion gear/forward gear engagement. The pinion gear has been revised to prevent forward gear tooth chipping and possible gear housing assembly failure. The new pinion gear p/n 43-822161--2 has been installed into the gear housings after the serial numbers listed.

Some outboards within the serial number range listed DO NOT require installation of a new gear housing assembly.

- Outboards reworked at the factory are identified with an orange dot on the:
 - ◇ thermostat cover - 40/50 (3 Cylinder - 2 Stroke).
 - ◇ valve cover - 45/50 (4 Cylinder - 4 Stroke).
- Outboards with a Quicksilver replacement gear housing assembly ordered after 6/20/97.

OWNER NOTIFICATION - USA/CANADA

A letter will be sent to every registered owner of an affected outboard. The letter will advise the owner to contact their selling dealer or any other authorized dealer to make arrangements for replacement of the gear housing assembly. A copy of the letter is included with this service bulletin.

PARTS INTERCHANGEABILITY

New pinion gear part number 43-822161--2 will supersede previous pinion gear 43-822161.

SERVICE PARTS STOCK

Return any new pinion gear and/or complete gear housing assembly purchased with date code prior to 6/11/97 for credit. Pinion gears and gear housing assemblies produced with date code 6/11/97 and newer have the new pinion gear design. Do not send the part(s) to return goods for credit. Complete a warranty claim and return the part(s) with the claim.

Description	Part Number	Color	Length	Model
Pinion Gear	43-822161			40/50 & 45/50
Gear housing assembly	1682-821306A24	Black	Long	45/50
Gear housing assembly	1682-821306A25	Gray	Long	45/50
Gear housing assembly	1682-821306A26	Black	Short	40/50
Gear housing assembly	1682-821306A27	Gray	Short	40/50
Gear housing assembly	1682-821306A28	Black	Long	40/50
Gear housing assembly	1682-821306A29	Gray	Long	40/50

CORRECTION

IMPORTANT: Refer to outboard service manual for proper gear housing replacement procedures.

Replace the complete gear housing assembly on outboards listed that do not have the factory rework orange dot.

USA - Use QuickFax (800-842-4550) or call Mercury/Mariner Outboard Service at (414-929-5884) for a pre-authorized warranty to replace the gear housing assembly.

CANADA - Use QuickFax (800-663-8334) or call Mercury Marine Service/Warranty (905-270-4481).

INTERNATIONAL - Call your area office.

PARTS REQUIRED

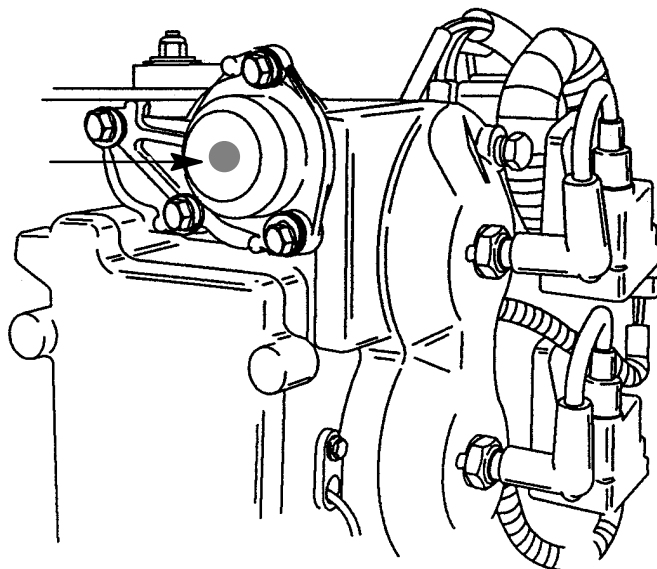
Gear Housing Assembly

1682-821306A24	Black	Long	45/50
1682-821306A25	Gray	Long	45/50
1682-821306A26	Black	Short	40/50
1682-821306A27	Gray	Short	40/50
1682-821306A28	Black	Long	40/50
1682-821306A29	Gray	Long	40/50

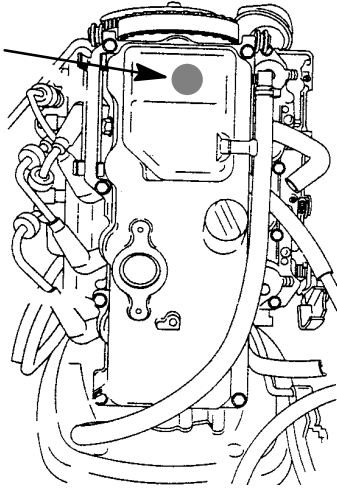
REPAIR IDENTIFICATION

Factory rework:

- 40/50 (3 Cylinder 2-Stroke) - an orange dot on the thermostat cover.



- 45/50 (4 Stroke) - an orange dot on the upper half of the valve cover.



Dealer rework:

- Mark a white dot on the:
 - ◇ 40/50 (3 cylinder – 2-Stroke)- thermostat cover.
 - ◇ 45/50 (4 cylinder - 4 Stroke) - upper half of the valve cover.

WARRANTY

Gear failures on the listed 1997 and 1998 model year outboards will be covered by a special adjustment for two (2) years from the date of sale to the original owner to assure customer satisfaction.

Complete warranty claim listing:

- Outboard serial number *
- Qty. 1 P/N 1682-821306A __ Gear Housing Assembly.
- Three-tenths (0.3) hour labor – inspection only.
 - ◇ 40/50 OG20
 - ◇ 45/50 CG20.
- One (1) hour labor.
- Warranty labor rate code - replacement

◇ 40/50	OG12	0.7 Hour
	OG20	0.3 Hour
◇ 45/50	CG12	0.7 Hour
	CG20	0.3 Hour
- Failure code 216 - 40.

USA - Return gear housing assembly with the warranty claim to Mercury Marine - Fond du Lac.

Canada - Return gear housing assembly with the warranty claim to Mercury Marine - Mississauga.

International - Hold parts for inspection/disposal by a Marine Power International Technical Representative.

Dear Mercury Marine Customer

Our records indicate you are the owner of a 40 or 50 horsepower outboard motor included in a recall. Your engine may experience a gear housing failure that will prevent it from propelling your boat.

WHAT YOU SHOULD DO

Contact your authorized dealer, preferably the one who sold you the engine, and make arrangements to have your engine inspected. Some engines may have been repaired already. Your dealer has a service bulletin to help determine your requirements. The reverse side of this letter is a recall claim form you must present to the dealer.

WHAT WILL WE DO

We will reimburse the authorized dealer for inspecting and replacing the gear housing as necessary to insure the upgrading of your engine.

We apologize for inconveniencing you. We have taken action in the interest of customer relations. Please contact your dealer soon.

Sincerely,

Bob Kachelek
Outboard Service - USA

Ralph Lawson
Service - Canada