



service bulletin

No. 98-1

Power Trim Piston/Rod Replacement P/N 43397A6

Models Affected

MERCURY/MARINER

1998 135 - 250 HP

S/N 0G653854 Thru 0G681265

The port side power trim piston/rod assembly may have been incorrectly machined on some of the engines listed. This could cause the tilt relief valve function to become disabled, allowing the engine to trim past the clamp brackets at higher than normal propeller thrust.

These outboards must have the port trim piston/rod assembly replaced to avoid a failure and to assure customer satisfaction.

Owner Notification – USA/Canada

A letter will be sent to every registered owner of an affected outboard. The letter will advise the owner to return their outboard to their selling dealer or any authorized dealer for replacement of the port side power trim piston/rod assembly. A copy of the letter is included with this Service Bulletin.

Repair Identification

Outboards within the serial number range listed that have been reworked at the factory are identified by:

- A white paint dot on the port side of the trim manifold near the tilt cylinder lower cross pin area.
- Engine carton will have a ORANGE dot near the serial number location.

Any engine that **DOES NOT** have the factory rework marking, should have the anode assembly removed from the power trim, to inspect for affected date codes. Affected date codes are 7I02 thru 7K07. Power trims with date codes that are not in the affected range do not require trim piston/rod replacement.

Date code explanation:



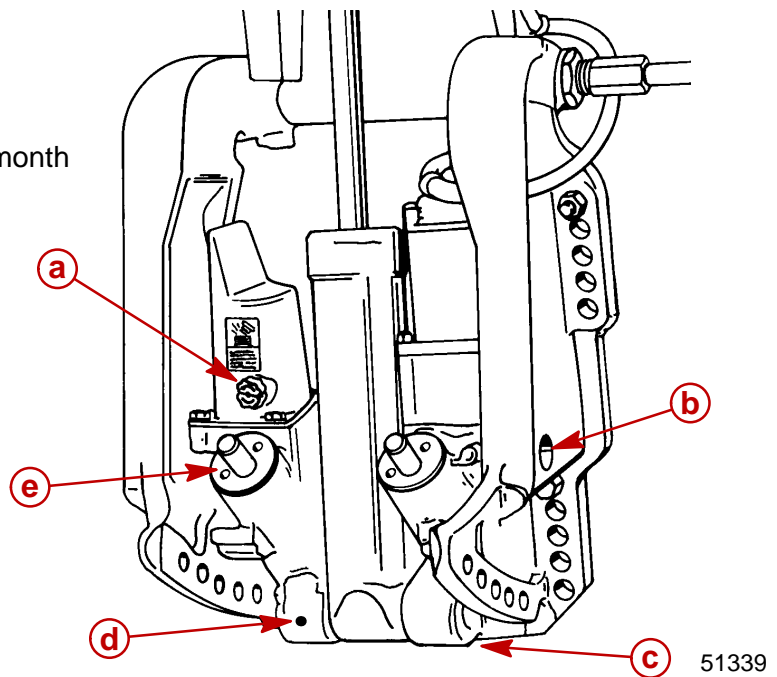
 7 K 07

 year month day of month

 I – September

 J – October

 K – November



- a - Fill cap
- b - Manual valve
- c - Date code location
- d - Factory rework mark (white dot)
- e - Port trim ram

Dealer Outboard Inventory

Affected outboards in dealer inventory **MUST BE** reworked prior to customer delivery.

Service Parts Stock

- COMPLETE POWER TRIM ASSEMBLIES: Any complete power trim assembly (P/N 826729A2) in dealer inventory, that have been received from Mercury Marine Distribution Centers between September 1 1997 and November 20, 1997 should be inspected for affected date codes.
- PISTON ROD ASSEMBLIES: None of the service piston/rod assemblies (P/N 43397A6) were affected by this incorrect machining. Dealer inventory **DOES NOT** need to be inspected, or returned for credit.

Correction

With engine in up right position and installed on boat, or suitable engine cart:

Tilt outboard to the full “UP” position and engage tilt lock lever.

Slowly remove “Fill” plug, and turn manual release valve 3 to 4 turns (counterclockwise) to bleed pressure.

Place a clean pan under trim system to catch fluid.

Loosen the port side trim rod cylinder cap using spanner wrench (91-74951), or cap removal tool (91-44487A1). Before removing , clean any dirt or loose paint chips from around cap area.

Remove trim rod cylinder cap.

Install trim rod removal tool (91-44486A1) and pull trim piston/rod assembly from cylinder.

Install cylinder cap over new piston/rod assembly.

Apply Quicksilver Power Trim and Steering Fluid on all O-rings and seals before installation.

Install trim rod and cap.

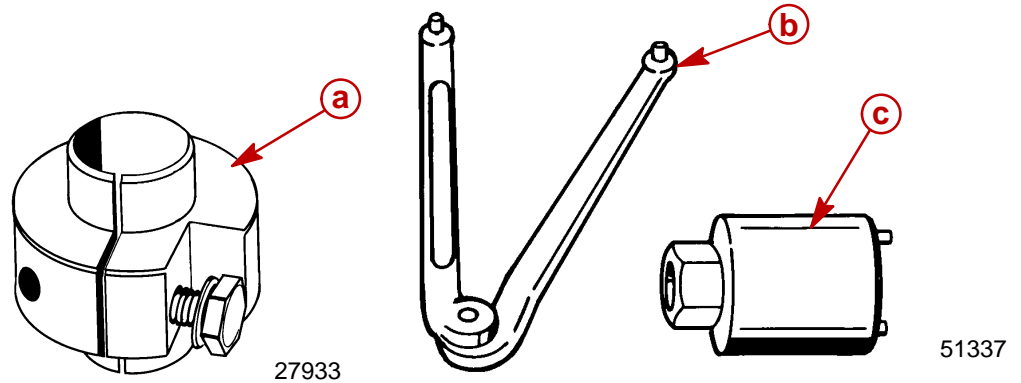
Tighten cap securely.

Close the manual tilt valve and reservoir cap.

Disengage the tilt lock lever.

Cycle the trim system 2 times (full tilt to full retract) and recheck fluid level.

NOTE: For more detailed power trim repair information consult appropriate service manual.



- a - Trim rod removal tool (91-44486A1)
- b - Spanner Wrench (91-74951)
- c - Cap removal tool (91-44487A1)

Warranty

Do not submit a warranty claim for inspection of factory rework marking only, (refer to page 2). If replacement of power trim piston/rod assembly is required, complete a warranty claim listing.

Outboard serial number

- Qty. 1 P/N 43397A6 Piston/rod assembly
- One (1) hour labor
- Warranty Flat Rate Code: NJC
- Failure Code: 118 - 00

US and CANADA: Complete/process claim via Midas or return a warranty claim form. Tag and hold parts for 60 days after the warranty credit is received.

INTERNATIONAL: Follow instruction issued by Marine Power International office or by your distributor.



W6250 PIONEER ROAD
P.O. BOX 1939
FOND DU LAC, WI 54936-1939 U.S.A.

PHONE (920) 929-5000 ■ FAX (920) 929-5060

Dear Mercury Marine Customer:

Our records indicate that you are the owner of a Mercury or a Mariner outboard included in a recall. The power trim system could malfunction and allow the engine to trim past the clamp brackets at higher-than-normal propeller thrust.

WHAT YOU SHOULD DO

Contact your authorized dealer, preferably the one who sold you the engine, and make arrangements to determine if your engine needs to be repaired. The dealer will refer to Mercury/Mariner Service Bulletin 98-1 for instructions. You must deliver your engine to the dealer and present this letter, the reverse side of which is a claim-form your dealer needs to send to us for reimbursement.

***NOTE:** If your boat is in storage, you may want to wait until you remove it from storage to have this service performed.*

WHAT WE WILL DO

We will reimburse the authorized dealer for inspecting and/or repairing the hydraulic system in line with the service bulletin.

We apologize for inconveniencing you. We have taken this action to insure the proper operation of your engine, which helps to insure your satisfaction.



A BRUNSWICK COMPANY
MERCURY MARINER MERCURUISER FORCE QUICKSILVER

WARRANTY CLAIM

ENGINE SERIAL NUMBER	
PRODUCT (CHECK ONE ONLY)	DATE FAILED
<input checked="" type="checkbox"/> OUTBOARD	DATE REPORTED
<input type="checkbox"/> STERNDRIVE	DATE REPAIRED
<input type="checkbox"/> INBOARD	HOURS USED
<input type="checkbox"/> INFLATABLES	
<input type="checkbox"/> JET	
<input type="checkbox"/> QUICKSILVER P&A (ATTACH RECEIPT)	
<input type="checkbox"/> OTHER - SPECIFY _____	
BOAT TYPE _____	
H.I.N. _____	

DATE RECEIVED	AM	PM	DATE PROMISED	AM	PM
DEALER CODE		DEALER NAME		DEALER ADDRESS	
CITY, STATE, ZIP		ORDER NUMBER		LABOR RATE	
DESCRIPTION OF FAILURE					
Port Piston/Rod Assembly Replacement per Service Bulletin 98-001					
FAILURE CODE	FAILURE CODE DESCRIPTION	NOTE: WARRANTY CLAIM MUST BE RECEIVED WITHIN 90 DAYS OF RECEIPT DATE TO BE CONSIDERED FOR APPROVAL	PRE-AUTHORIZATION NUMBER	ENTER DATE	
118-00	Tilt Ram-Service Bulletin Adj.				

REPAIR PARTS IDENTIFICATION			LABOR PERFORMED PER FLAT RATE MANUAL					
QTY	PART NUMBER	PART DESCRIPTION	LIST PRICE	TOTAL	CODE	DESCRIPTION	HOURS	DOLLARS
1	43397A6	Piston/Rod Assembly			NJC	SB 98-1 Labor	1.0	
TOTAL LABOR								
TOTAL PARTS								
SUB TOTAL								
TAX								
SUBLET LABOR (RECEIPT ATTACHED)								
FREIGHT (ATTACH RECEIPT IF OVER \$10.00)								
GRAND TOTAL								

FOR FACTORY USE ONLY

I HEREBY AUTHORIZE THE ABOVE REPAIR WORK TO BE DONE AND GRANT YOU AND/OR YOUR EMPLOYEES PERMISSION TO OPERATE THE UNIT AS NECESSARY FOR TESTING AND/OR INSPECTION.

CUSTOMER AUTHORIZATION _____