

MERCURY

MARINER

MERCURY
Sport Jet

FORCE
Outboards

service information

ADVISORY

BULLETIN

No. 99-8

Red Stator – 6 thru 25 (2S)

Models Affected

MERCURY/MARINER

6 thru 25 (2 Stroke)

1999 and Newer

Serial Number

USA 0G760300 and above

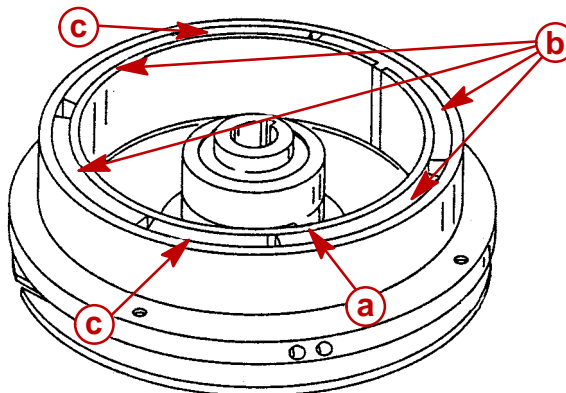
Belgium 0P017000 and above

The ignition and charging system for 1999 and newer 6 thru 25 (2 Stroke) models has been changed. The system has a flywheel with new magnets, a red ignition stator, a redesigned switchbox, and an improved battery charging stator. The individual components cannot be interchanged between 1998 and prior or 1999 and newer models. The complete red stator conversion kit may be installed on 1998 and prior models.

1999 Red Stator System Features

Flywheel

The new flywheel has four magnets instead of two. A stainless steel retaining ring is installed to protect the magnets on commercial models. The tachometer dial setting should correspond with 5 positive pulses (10 pole). Refer to "Tachometer Setting" following.

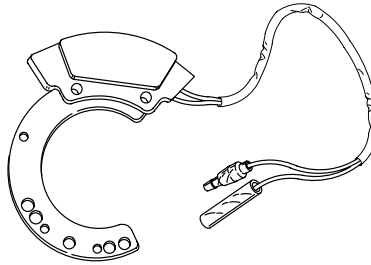


- a** - Retainer Ring – Commercial Models
- b** - Magnets
- c** - Spacers

57129

Ignition Stator

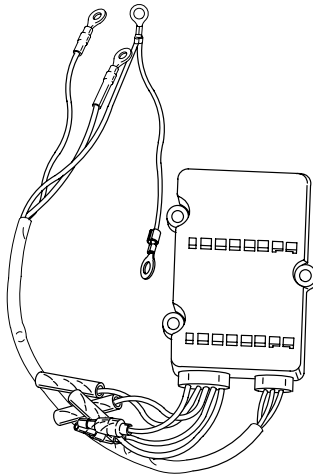
The new red colored stator has a single ignition bobbin. The stator bobbin wire is thicker and has the same bobbin as 30-125 (2 Stroke) models.



Switch Box

The new switch box contains two CDM circuits and regulates incoming ignition stator voltage to approximately 300 volts. The 855713A3 (marked 855713A1) switch box on commercial and jet models has a 6200 rpm limiter. The 855713A4 (marked 855713A2) switch box does not have a rev limiter.

Models with rev limiter: 15ML "S15", 10 Marathon/Sea Pro, 15 Marathon/Sea Pro, 15 Marathon XD/Sea Pro XD, 20 Jet, 25 Marathon/Sea Pro.



Battery Charging Stator

There are more internal windings to improve battery charging output.

Battery Charging Specifications (Typical)

	1998 and Prior	1999 and Newer
1500 RPM	0 Amps.	2.5 Amps.
WOT	4.0 Amps.	6.0 Amps.



Ignition Coils

The ignition coils did not change.

CONVERSION KIT

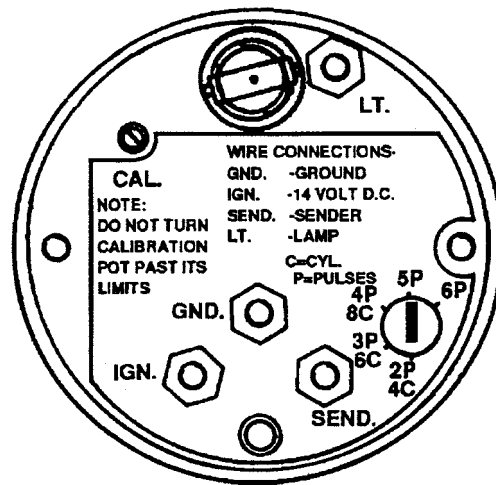
A kit is available to convert 1998 and prior black stator system to a red stator system. The kit consists of a switch box with rev limiter, commercial flywheel with magnet retainer, red stator, and instructions. The new battery charging stator is not included with the kit. When a prior model is converted to the red stator system, it is important to use the red stator repair specifications when servicing.

- 6-15 Conversion Kit 855721A6
- 20/25 Conversion Kit 855721A7

TACHOMETER SETTING

The tachometer dial setting is position 3 on 79-817030A1 QSI gauge and position 5P on Admiral, Flagship, International, and Commodore gauges. The new red stator system generates 5 positive pulses (10 poles) per crankshaft revolution. The setting for 1998 and prior models is 3 on QSI gauges except 79-817030A1 and 4P on Admiral, Flagship, International, and Commodore gauges.

1998 and Prior	1999 and Newer
All QSI except 79-817030A1 Dial setting 3	QSI 79-817030A1 Dial setting 3
All gauges except QSI Dial setting 4P	All gauges except QSI Dial setting 5P
4 Positive Pulses	5 Positive Pulses
8 Pole	10 Pole



Admiral, Flagship, International, and Commodore gauges

52781

PARTS INTERCHANGEABILITY

1998 and Prior	Forward Fit ↘	↙ Back Fit	1999 and Newer
Flywheel	∅ No	∅ No	Flywheel
Ignition Stator	∅ No	∅ No	Ignition Stator
Switch Box	∅ No	∅ No	Switch Box
Charging Stator	∅ No	∅ No	Charging Stator
6-15 Model Flywheel, Ignition Stator, Switch Box	∅ No	↙ Yes	Conversion Kit (without Charging Stator) 855721A6
20/25 Model Flywheel, Ignition Stator, Switch Box	∅ No	↙ Yes	Conversion Kit (without Charging Stator) 855721A7

WARRANTY

The red stator system is offered as a product improvement on 1999 models. Warranty will not cover the up-grade of previous models.