



service information

ADVISORY
 BULLETIN

No. 2001-07

Circulate to: Sales Manager Accounting Service Manager Technician Parts Manager

In-Line Fuel Filter - 75/90 Four Stroke

Models Affected

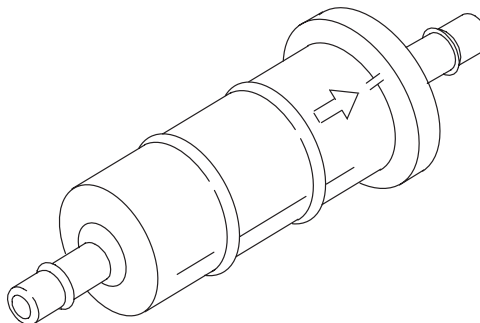
MERCURY/MARINER/TRACKER

2000 & 2001 Model Year

75 Four Stroke Serial Number 0G960500 thru 0T266533

90 Four Stroke Serial Number 0G960500 thru 0T263208

Replacement of the original in-line fuel filter on the models listed in this advisory may require the modification or replacement of the fuel line(s). The previous style fuel filter 35-877565T originally installed on these models had 10 mm diameter hose ends with 11 mm diameter barbs. The new style fuel filter 35-877565T1 has 8 mm diameter hose ends with 9 mm diameter barbs.



The new fuel filter 35-877565T1 is installed after the production start of the 2001 model year beginning:

75 Four Stroke Serial Number 0T266534.

90 Four Stroke Serial Number 0T263209.

Parts Interchangeability

The previous 35-877565T fuel filter supersedes to the new 35-877565T1 fuel filter.

Previous	New
35-877565T	35-877565T1
20 Micron paper filter	20 Micron paper Filter
10 mm diameter end	8 mm diameter end
11 mm diameter barb	9 mm diameter barb

Service Parts Stock

Either style filter may be used on the early production 75/90. Dealers may use up their inventory of the previous 35-877565T filter. It is not required to install the new 35-877565T1 filter until the current inventory has been purged.

Inspection/Test

A simple measurement of the fuel filter ends will determine which fuel filter is being used and if any action will need to be taken.

Correction

When the 877565T1 filter is installed on an older engine, the fuel line may be expanded enough to prevent a tight seal on the smaller fittings of the new filter. The solution to this is to either cut off a short section of the expanded fuel line end or replace the fuel line(s). By performing either of these two recommendations a tight seal will be assured.

The fuel filter inlet fuel line is 36 inches (914 mm) long.

The fuel filter outlet fuel line is 13-1/2 inches (343 mm) long.

Parts Required

Qty. 1 32-830757130 Fuel Line - 70 inches (1778 mm)

Warranty

Mercury Marine will credit the dealer for the cost of parts and labor for one year from the issuance of this advisory. Please note the month and year located at the lower corner of the front page of this advisory.

Complete warranty claim listing:

- Outboard serial number
- Qty. 1 32-830757130 Fuel Line
- Three tenths (0.3) hour labor
- Flat Rate Code: NJC
- Part Code: 713
- Failure Code: 00

USA and Canada: Complete/Process claim via Midas or return warranty claim form.

International: Follow instructions issued by Marine Power International office or by your distributor.