

Circulate to: Sales Manager Accounting Service Manager Technician Parts Manager

Important New Model Information—150 Pro XS FourStroke

Models Affected

| Models Covered | Serial Number Or Year |
|-----------------------|-----------------------|
| 150 Pro XS FourStroke | 2B550139 and above |

Scope

Worldwide

Situation

The purpose of this bulletin is to highlight key features of the new 150 Pro XS FourStroke models and how they differ from the standard production models.

- New specifications
- New top/lower cowl decals
- New maintenance decal
- New ECM calibration
- New 2.08:1 gearcase
- Stiffer upper mounts



67147

THE INFORMATION IN THIS DOCUMENT IS CONFIDENTIAL AND PROTECTED BY COPYRIGHT AND IS THE PROPERTY OF MERCURY MARINE.

This document is provided for the sole and exclusive use of the original recipient as prescribed by Mercury Marine and may not be distributed or copied, digitally or otherwise, without the prior written consent of Mercury Marine.

Specifications

| Model | 150 Pro XS | 150 FourStroke |
|--------------------------|-------------------------|---------------------------|
| WOT RPM | 5200–6000 | 5000–5800 |
| Gearcase | 2.08:1 Ratio RH only | 1.92:1 Ratio RH and LH |
| Gearcase water pickup | Side and nose | Side only |
| Gearcase color | Silver | Black |
| Transient spark strategy | Yes | No |
| Upper mounts | Heavy-duty | Standard |
| Decals | New Pro XS | Standard |
| Under cowl service decal | New Pro XS | Standard |

150 Pro XS Maintenance Schedule Decal

A specific 150 Pro XS maintenance schedule decal is applied to all 150 Pro XS models.

MAINTENANCE SCHEDULE

**EVERY 100 HOURS
OF USE OR
ONCE YEARLY**

**EVERY 300 HOURS
OF USE OR
THREE YEARS**

↕ REPLACE

- Engine Oil and Filter
- Gearcase Lubricant

✔ INSPECT

- Spark Plugs *
- Thermostat
- Low Pressure Fuel Filter
- Anodes

↕ REPLACE

- Accessory Drive Belt
- Spark Plugs *
- Water Pump Impeller

For Storage Preparation
See Owner's Manual

Full Throttle RPM:
5200-6000

Neutral Idle RPM:
650

*** In Saltwater:**
Apply Anti-Seize

27 Nm
(20 lb-ft)

8M0057936

0.8 mm
(0.032 in.)

Engine Oil

10W-30

6.0 L (6.3 U.S. qt.)

67146

THE INFORMATION IN THIS DOCUMENT IS CONFIDENTIAL AND PROTECTED BY COPYRIGHT AND IS THE PROPERTY OF MERCURY MARINE.

This document is provided for the sole and exclusive use of the original recipient as prescribed by Mercury Marine and may not be distributed or copied, digitally or otherwise, without the prior written consent of Mercury Marine.

Page 2 / 3

© 2018 Mercury Marine

JULY 2018 2018-05

New 2.08:1 Gearcase

The 150 Pro XS is equipped with a silver 2.08:1 gearcase. This is the same gearcase ratio and design that was used on the 4-cylinder Verado product.



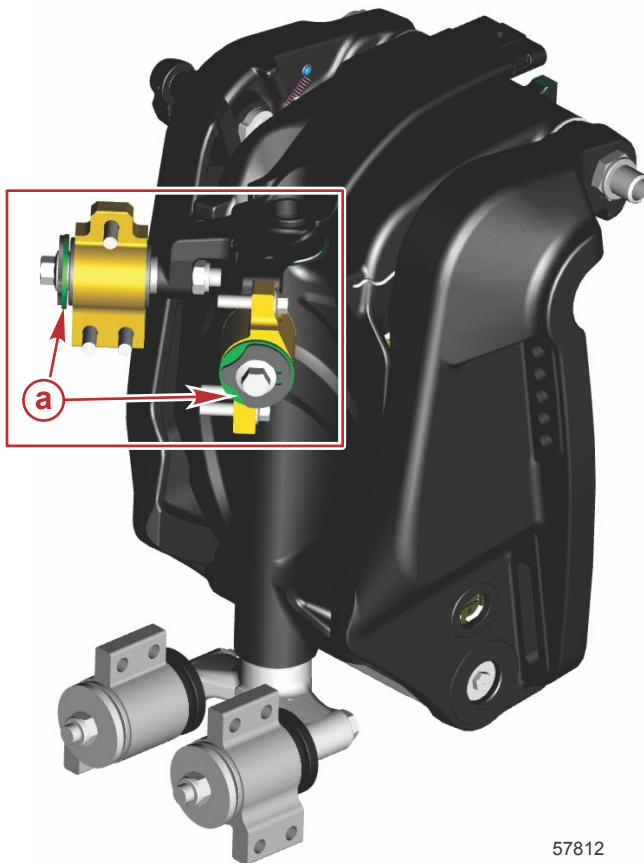
Silver colored gearcase

- a - Side water pick-ups
- b - Nose water pick-ups

67151

Heavy-Duty Upper Mounts

150 Pro XS models are equipped with heavy-duty upper mounts and added urethane snubber washers.



Heavy-duty upper mounts

- a - Urethane snubber washers (2)

57812

THE INFORMATION IN THIS DOCUMENT IS CONFIDENTIAL AND PROTECTED BY COPYRIGHT AND IS THE PROPERTY OF MERCURY MARINE.

This document is provided for the sole and exclusive use of the original recipient as prescribed by Mercury Marine and may not be distributed or copied, digitally or otherwise, without the prior written consent of Mercury Marine.