



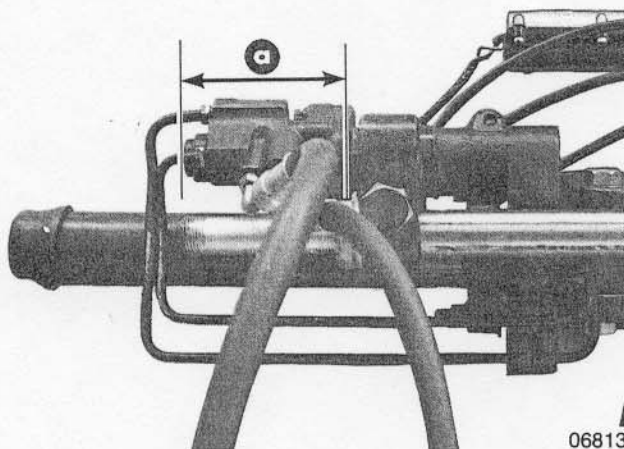
CIRCULATE TO:	SERVICE MGR.	PARTS MGR.	MECHANICS	Place in Your "Service Bulletins" Binder
---------------	--------------	------------	-----------	--

- A. MerCruiser Power Steering B-71333A1 (MC 110-thru-165) and B-76742A1 and A2 (MC 470)
- B. MerCruiser I Drive New Hinge Pin Tool

A. MERCRUISER POWER STEERING B-71333A1 (MC 110-thru-165) and B-76742A1 and A2 (MC 470)

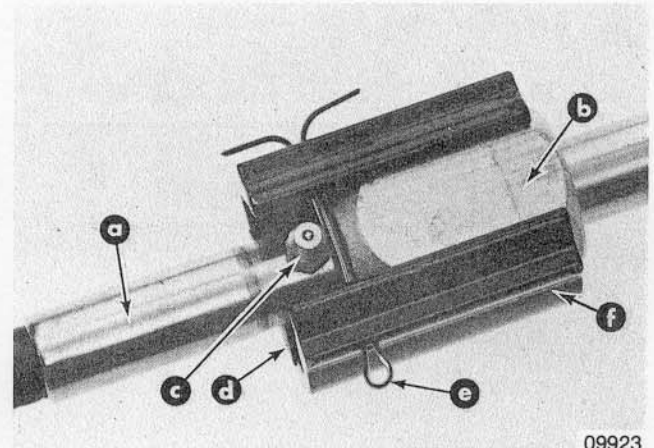
(Attach Bulletin Reference Sticker to P. 7B-9 of Your Service Manual.)

MerCruiser in-line engine Power Steering Part Nos. B-71333A1 and B-76742A1 and A2 have a dimension change. (See Figure 1.) Dimension was $3\frac{3}{8}'' \pm \frac{1}{8}''$ (85.7mm \pm 3.2mm). New dimension is $4\frac{1}{4}'' \pm \frac{1}{8}''$ (10.8cm \pm 3.2mm).



a - $4\frac{1}{4}'' \pm \frac{1}{8}''$

Figure 1. Power Steering Dimension



- a - Steering Cable
- b - Coupler Nut
- c - Grease Fitting
- d - Rubber Bumper
- e - Cotter Pin
- f - Locking Sleeve

Figure 2. Locking Sleeve Installed on Coupler Nut

WARNING: When installing Locking Sleeve C-71669 (Figure 2) on the above listed Power Steering assemblies, interference may exist between the locking sleeve and hydraulic tubes. It will be necessary, therefore, to replace the hydraulic tubes with longer tubing (C-32-78895 and C-32-78896) to allow use of the locking sleeve.

B. MERCRUISER I DRIVE NEW HINGE PIN TOOL

(Attach Bulletin Reference Sticker to P. 9B-3 of Your Service Manual.)

MerCruiser I Drive NEW hinge pin tool, used for removing hinge pin with rotary trim senders, is Part No. C-91-78310. Order yours today.

C-91-78310

Hinge Pin Removal Tool