

- A. Exhaust Manifold Water Reversal Kit - MCM 165
- B. Shift Lever Used on Borg-Warner Transmission - MIE 230/260/340 and MCM 330
- C. Camshaft Bearing Sets - MCM 120/140/165

NUMBER: 83-19

CIRCULATE TO:
SERVICE MANAGER
PARTS MANAGER
MECHANICS
"Place in a Service
Bulletin Binder"

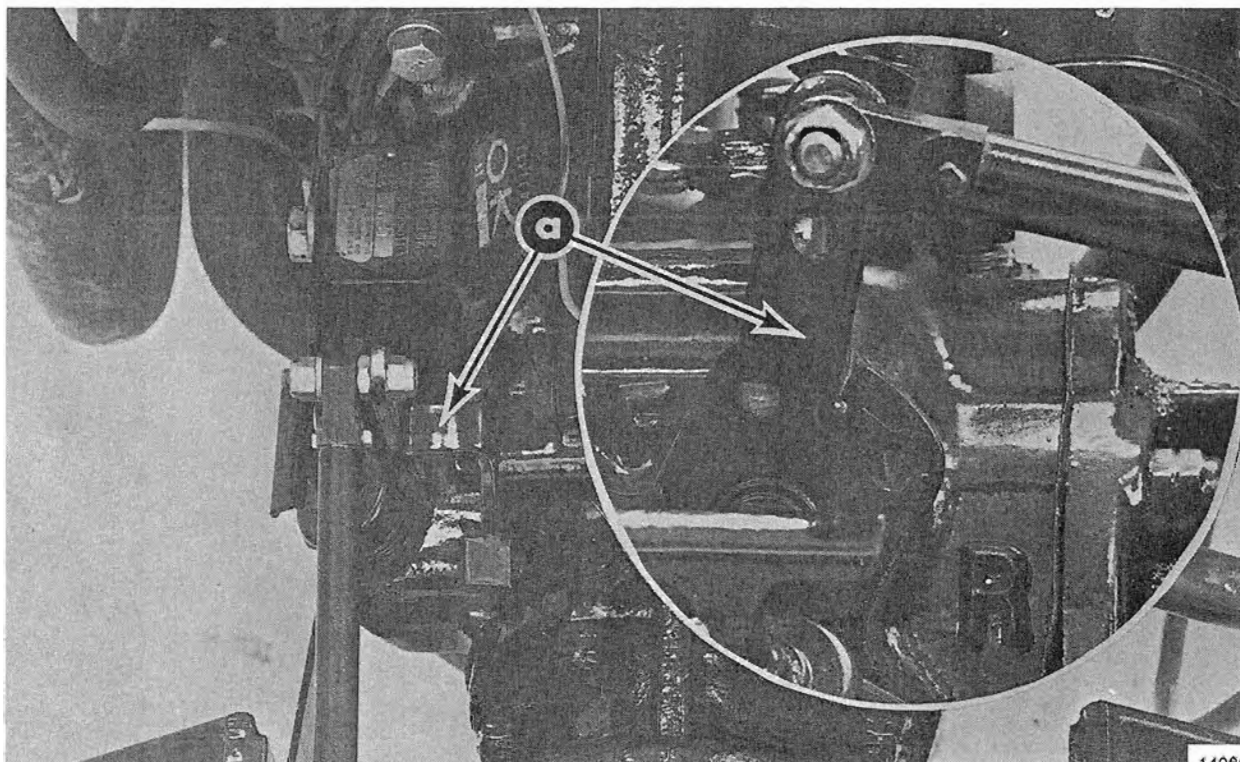
A. EXHAUST MANIFOLD WATER REVERSAL KIT - MCM 165

Under certain operating conditions, the exhaust manifold can develop an internal crack in the water jacket. This crack is usually in #2 or #3 exhaust port. If this condition is experienced, install Water Reversal Kit Part No. 60252A3. This kit reverses the water flow thru the exhaust manifold. Water (from the engine) enters the rear manifold end cap and flows forward. The water exits the manifold from the front end cap and flows (via a hose) to the exhaust elbow. Follow instructions, that come with kit, for installation.

WATER REVERSAL KIT 60252A3

B. SHIFT LEVER USED ON BORG-WARNER TRANSMISSION - MIE 230/260/340 and MCM 330

The shift lever that is used on the Borg-Warner transmission, on the above model engines, is available from Mercury Marine. If a replacement shift lever is required, order Part No. 43325 from your Distribution Center.



a - Shift Lever (43325)

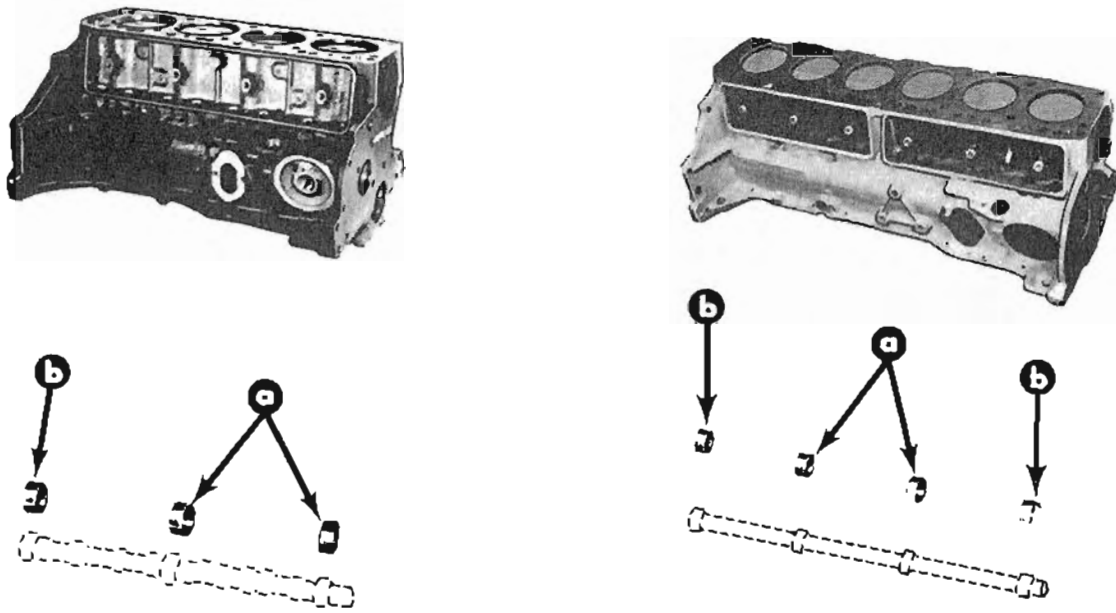
Figure 1. Transmission Shift Lever

(OVER)

C. CAMSHAFT BEARING SETS - MCM 120/140/165

These model G.M. engines require different camshaft bearing sets. Each bearing set contains 3 bearings. Order as indicated in Figure 2 or 3.

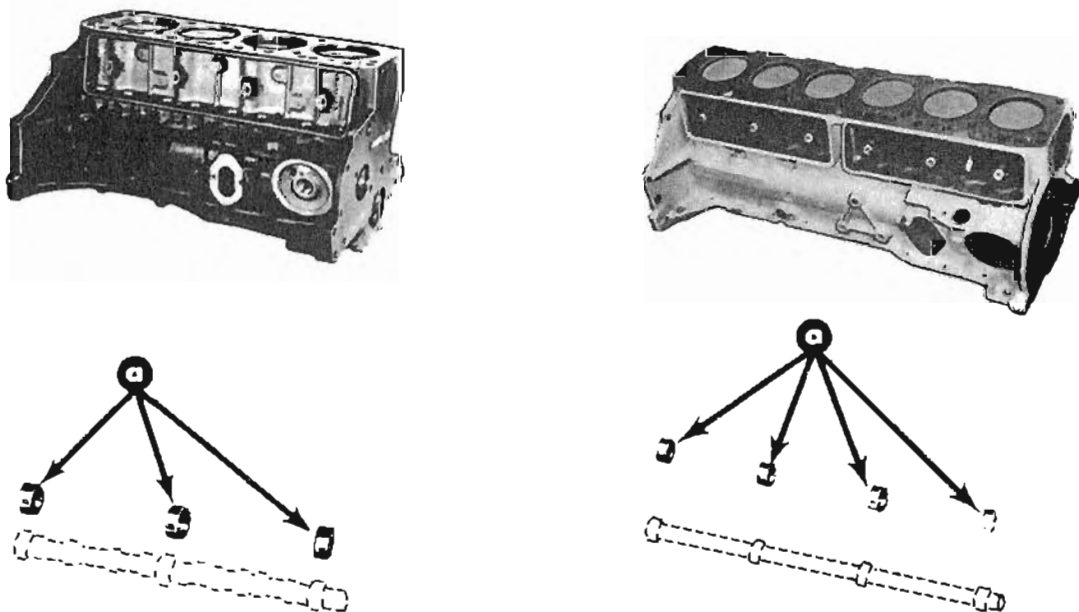
MCM 120 Serial No. 4469865 and below
MCM 140 Serial No. 3462607 and below
MCM 165 Serial No. 2963667 and below



a - Bearing O.D. 1.999"-2.001" (50.77-50.83mm)
b - Bearing O.D. 2.009"-2.011" (51.03-51.08mm)

Figure 2. Use 23-85720 Bearing Set

MCM 120 Serial No. 4469866 and above
MCM 140 Serial No. 3462608 and above
MCM 165 Serial No. 2963668 and above



a - Bearing O.D. 1.999"-2.001" (50.77-50.83mm)

Figure 3. Use 23-43293 Bearing Set