

NUMBER: 84-11

- A. Acceleration "Bog" on MerCarb - MCM 120R/140R/470R/898R
- B. Hard Starting - MCM 488R
- C. Piston Clearance - MCM 470/485/488
- D. Connecting Rod/Piston Position with New Style Piston - MCM 470R/488R

CIRCULATE TO:
SERVICE MANAGER
PARTS MANAGER
MECHANICS
"Place in a Service Bulletin Binder"

A. ACCELERATION "BOG" ON MERCARB - MCM 120R/140R/470R/898R

We have had reports of the above models engines "bogging" on acceleration. To correct this problem, order a new acceleration pump kit.

Accelerator Pump Kit

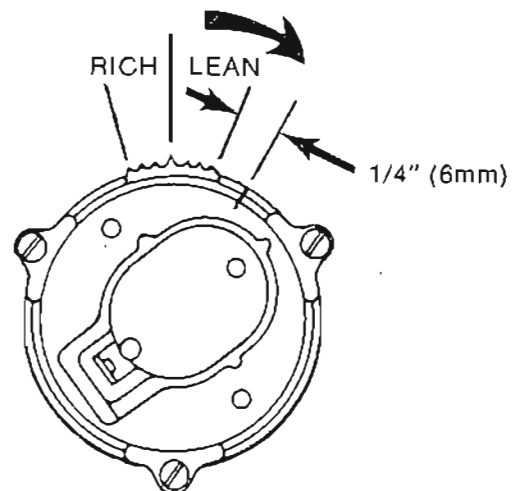
3302-9046



B. HARD STARTING - MCM 488R

If the engine is hard to restart after a 5 - 20 minutes shut down, do the following to correct the problem.

1. Install 1397-8548 SOLID needle and seat.
2. Reset float level to $\frac{3}{8}$ " (9mm).
3. Reset choke as shown.

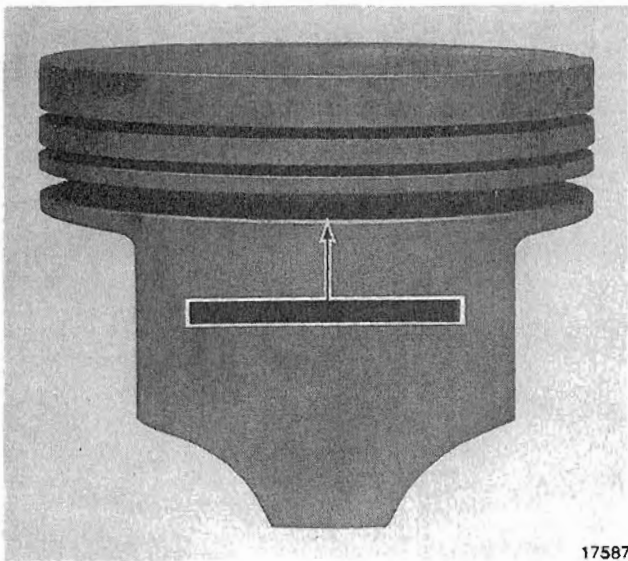


C. PISTON CLEARANCE - MCM 470/485/488

Three different types of piston have been used in the above model engines. Refer to Figures 1, 2 or 3 for piston identification and clearance. Refer to Figure 4 for location on piston to check clearance.

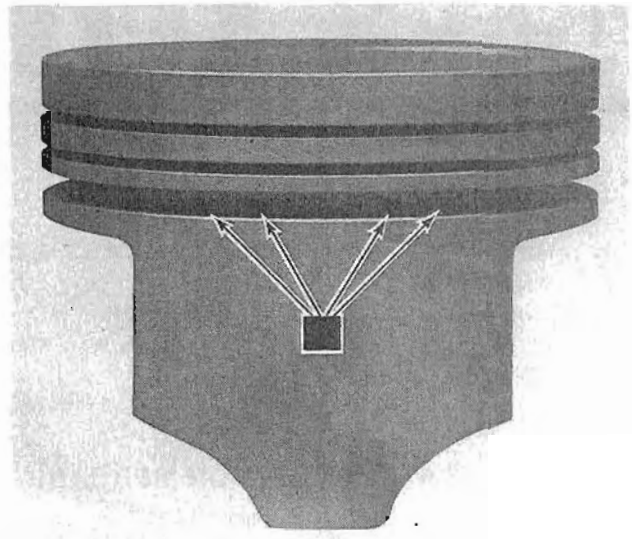
▲ CAUTION

Pistons in Figures 1 and 2 can be mixed in an engine. Piston in Figure 3 **MUST NOT** be mixed with Figure 1 or 2 pistons in an engine.



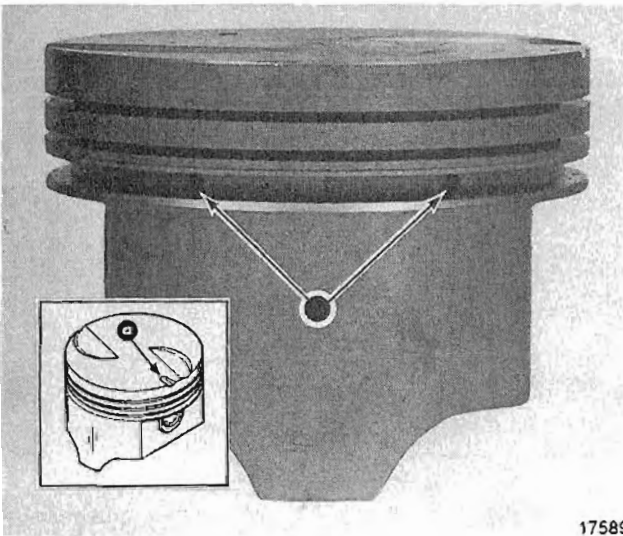
17587

Figure 1. .002" - .0037" (.05 - .09mm)



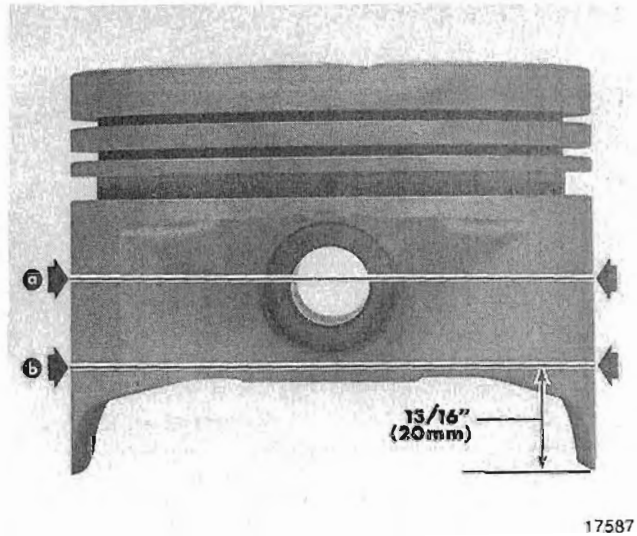
17588

Figure 2. .004" - .0057" (.1 - .15mm)



17589

a - Notch
Figure 3. .001" - .0027" (.03 - .06mm)

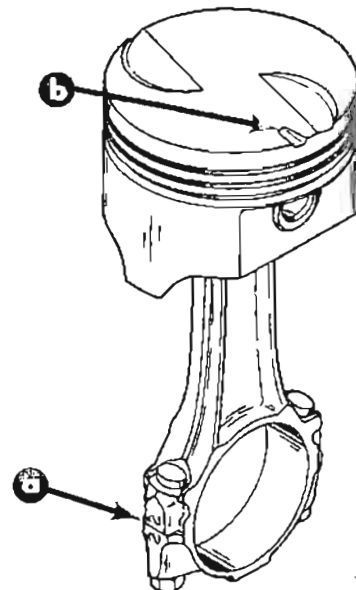


17587

a - Figures 1 or 2 b - Figure 3
Figure 4. Clearance Location

D. CONNECTING ROD/PISTON POSITION WITH NEW STYLE PISTON - MCM 470R/488R

The above model engines are using a new style piston. Refer to Figure 5 for assembling piston to connecting rod.



a - Number Toward Camshaft
b - Notch Toward Front

Figure 5.

17647