

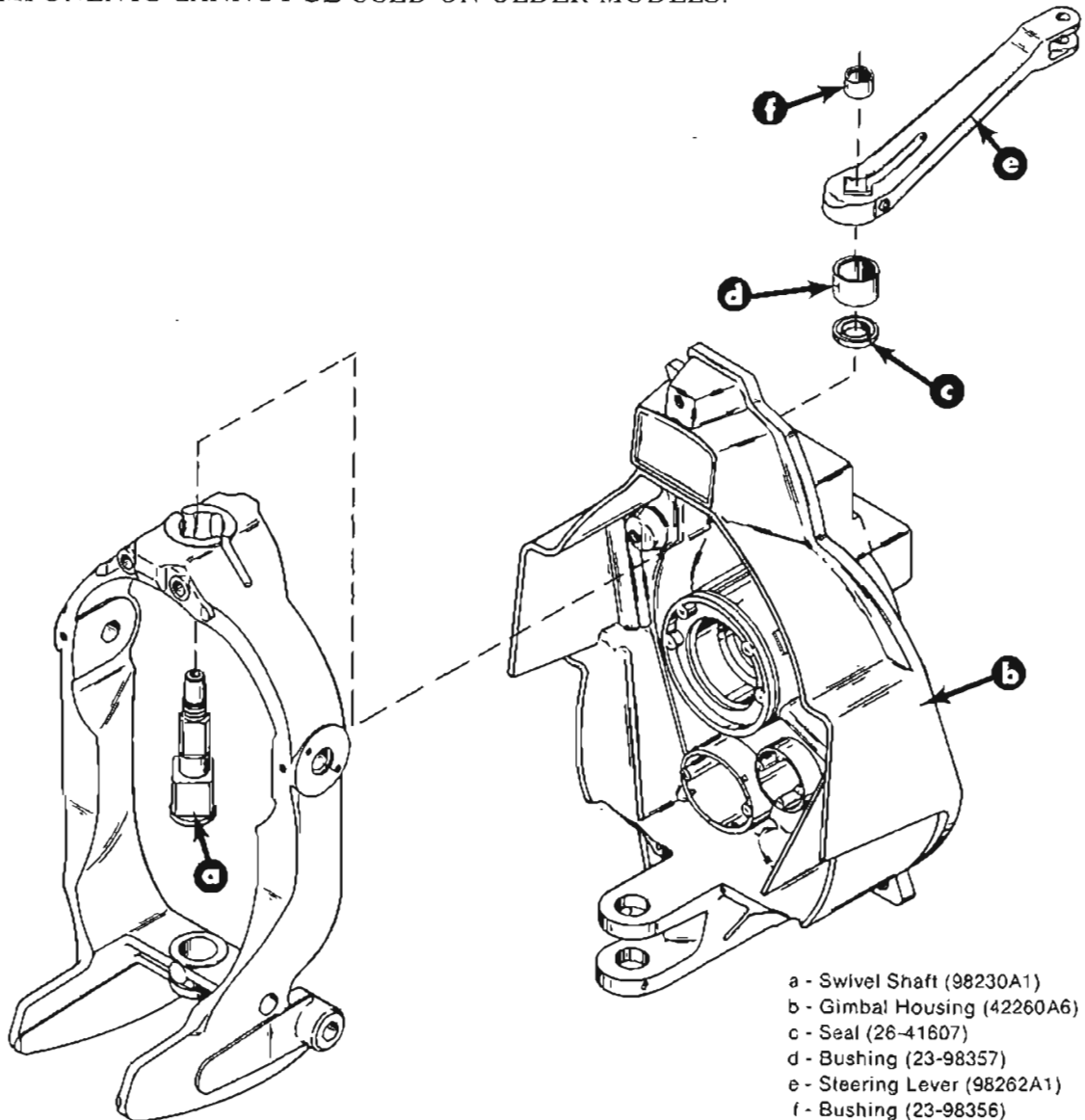
- A. New Swivel Shaft and Steering Lever on MerCruiser 120R-thru-260R Models
- B. Improved Cooling Capacity on MerCruiser 120R-thru-260R Models
- C. Replacement Bell Housing for MerCruiser I Models
- D. Drive Screws Removed from Bell Housing and Gimbal Housing on MerCruiser 120R-thru-260R Models

**NUMBER: 84-13**

CIRCULATE TO:  
 SERVICE MANAGER   
 PARTS MANAGER   
 MECHANICS   
 "Place in a Service Bulletin Binder"

**A. NEW SWIVEL SHAFT and STEERING LEVER ON MERCRUISER 120R-thru-260R MODELS**

MerCruiser 120R-thru-260R models (with transom assembly Serial No. 6666103 and above) will be equipped with a new square-square swivel shaft and steering lever. (Figure 1) The new components provide a square connection at both the steering lever and gimbal ring for improved durability. In the past, a splined connection was used between the steering lever and swivel shaft. To facilitate this change, a new swivel shaft seal and 2 new bushings were required. The gimbal housing also is machined differently. THE NEW SWIVEL SHAFT AND STEERING LEVER COMPONENTS CANNOT BE USED ON OLDER MODELS.



**Figure 1. New Square-Square Swivel Shaft, Steering Lever and Related Components**

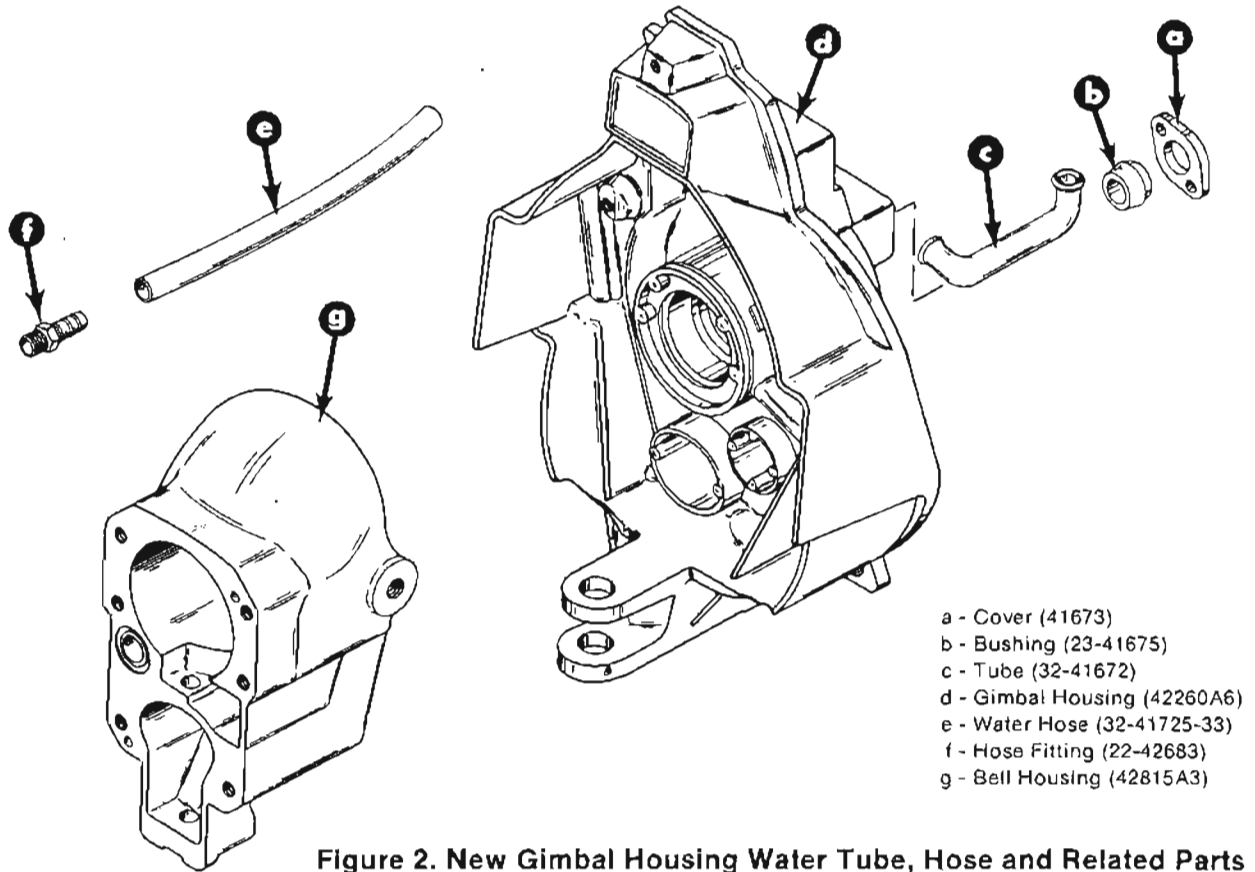
**B. IMPROVED COOLING CAPACITY ON MERCUISER 120R-thru-260R MODELS**

MerCruiser 120R-thru-260R Models (with transom assembly Serial No. 6665169 and above) will be equipped with a 3/4" (19mm) ID gimbal housing water tube and hose for increased cooling capacity. (Figure 2) Older stern drives were fitted with a 5/8" (16mm) water tube and hose. **NEW TUBE AND HOSE CANNOT BE USED ON OLDER STERN DRIVES.**

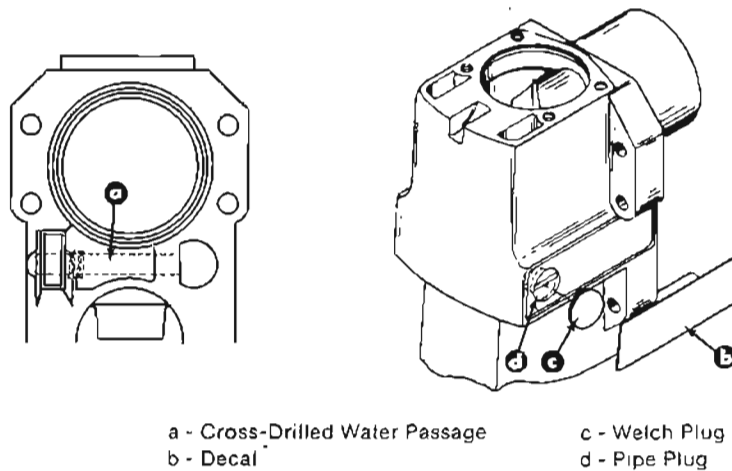
The following transom assembly components also were changed to accommodate the new tube and hose.

- Bell Housing
- Gimbal Housing
- Water Tube Cover
- Bell Housing Hose Fitting
- Water Tube Bushing

To further increase water flow, the cross-drilled water passage in the stern drive unit drive shaft housing has been enlarged (Figure 3). Stern drive units with Serial No. 6379846 and above will have the larger water passage.



**Figure 2. New Gimbal Housing Water Tube, Hose and Related Parts**



**Figure 3. Drive Shaft Housing Cross-Drilled Water Passage**

### C. REPLACEMENT BELL HOUSING FOR MERCUISER I MODELS

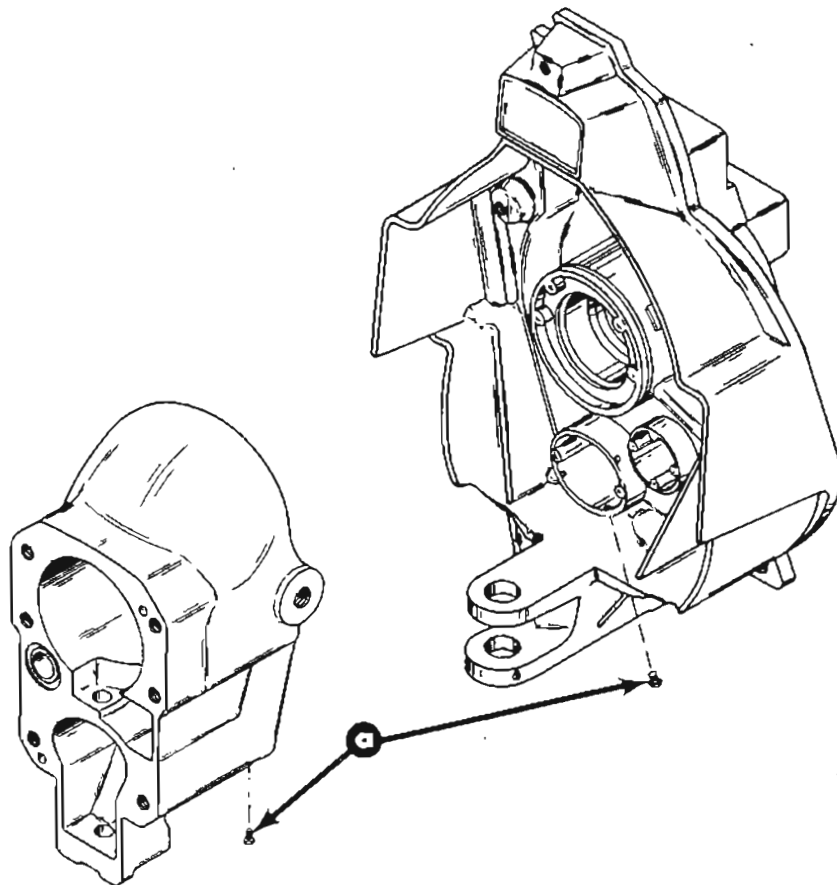
The new MerCruiser 120R-thru-260R bell housing (42815A3) will be used as the replacement part for all MerCruiser I Models with trim limit switch on the side of gimbal ring. Bell housing will be shipped from the factory with hose fitting for  $\frac{3}{4}$ " ID hose preinstalled. When using this bell housing on an older model (with  $\frac{5}{8}$ " ID hose), it will be necessary to remove  $\frac{3}{4}$ " fitting and install the special  $\frac{5}{8}$ " fitting (22-44221) provided.

### D. DRIVE SCREWS REMOVED FROM BELL HOUSING AND GIMBAL HOUSING ON MERCUISER 120R-thru-260R MODELS

To improve corrosion resistance, the drive screws (Figure 4) have been removed from the gimbal housing and bell housing on MerCruiser 120R-thru-260R Models. These screws were used in the past to ensure good exhaust bellows retention. Extensive testing revealed that these screws were not necessary.

When installing exhaust bellows on these units, be sure to observe the following to ensure good bellows retention:

- Thoroughly clean exhaust bellows mounting surfaces on gimbal housing and bell housing with a wire brush or sandpaper and lacquer thinner.
- If bellows are to be reused, remove old bellows adhesive from inside diameter of bellows with lacquer thinner.
- Apply Quicksilver Bellows Adhesive (92-86166) to inside diameter of bellows and allow to dry (at least 10 minutes) before installing.



a - Drive Screws (8)

Figure 4. Bell Housing and Gimbal Housing Drive Screws