

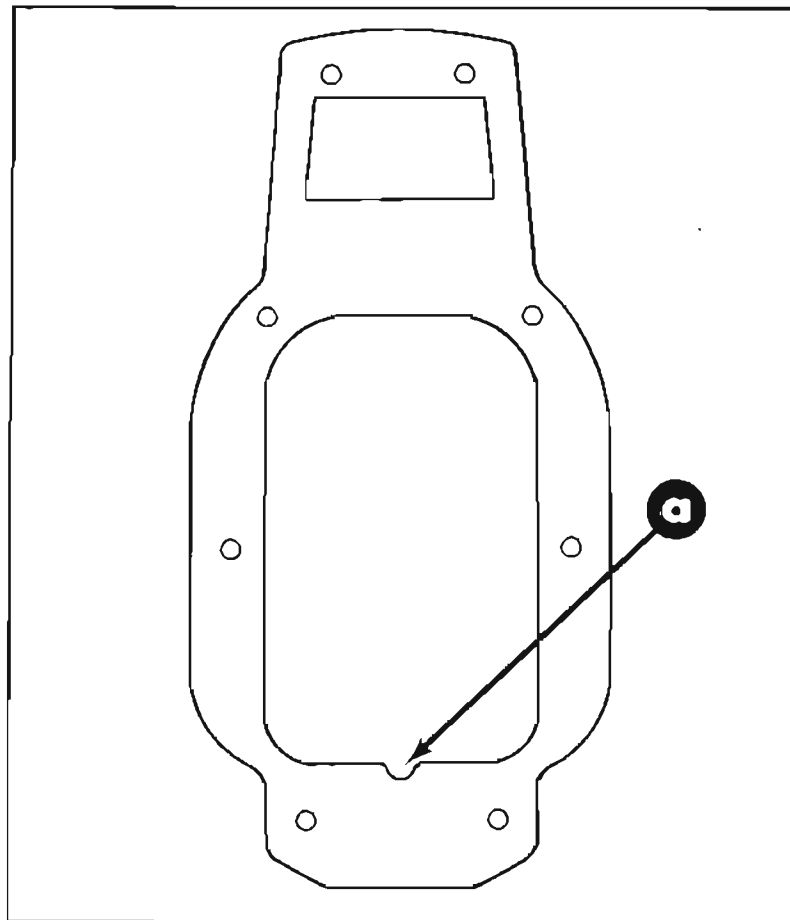
NUMBER: 85-8

CIRCULATE TO:
SERVICE MANAGER
PARTS MANAGER
MECHANICS
"Place in a Service
Bulletin Binder"

- A. New Gimbal Housing Gasket for TR/TRS Models
- B. TR Gear Housing Pinion Gear Washer
- C. New Driveshaft Housing Shimming Tools for TR/TRS Models

A. NEW GIMBAL HOUSING GASKET FOR TR/TRS MODELS

A new gimbal housing to transom gasket has been released for TR/TRS models. The new gasket is made of a different cork material for improved sealing qualities. Part number has been changed from 27-54395 to 27-54395-1 to reflect this change. New gasket can be identified by the indentation at the bottom of the gasket. (Figure 1)



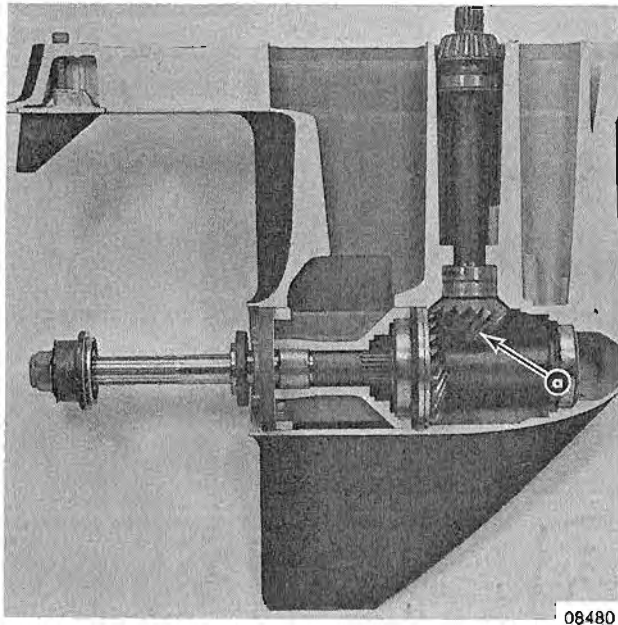
a - Indentation

Figure 1. New Gasket Identification

If you have any of the old gaskets in your inventory, return them to your Mercury Marine Regional Service Center, using a warranty claim. Credit will be issued for the old gaskets.

B. TR GEAR HOUSING PINION GEAR WASHER

Whenever servicing a TR gear housing, carefully inspect the pinion gear washer for cracks. (Figures 2 and 3) Never reuse a washer which is cracked, as the washer may break apart when torquing the pinion nut.



a - Washer

Figure 2. Pinion Gear Washer

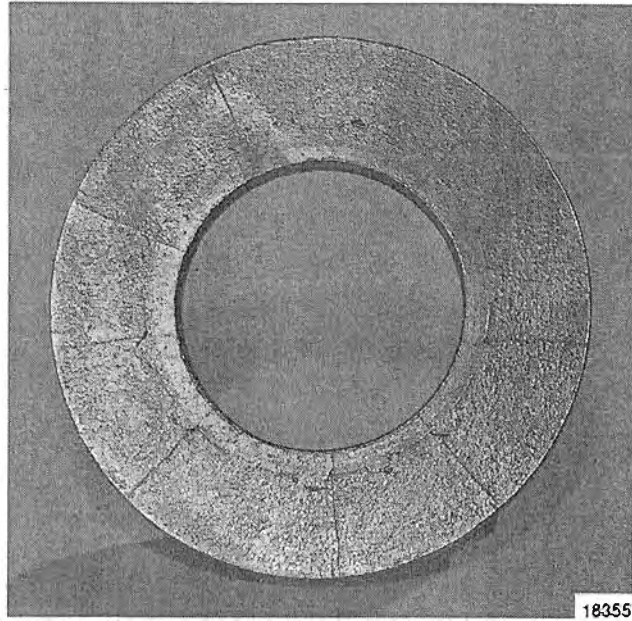


Figure 3. Washer with Cracks

C. NEW DRIVESHAFT HOUSING SHIMMING TOOLS FOR TR/TRS MODELS

Two new shimming tools have been released for shimming the driveshaft housing drive and driven gears. The new tools supercede the old tools shown below:

Drive Gear Shimming Tool: New 91-99924 — Old 91-63624

Driven Gear Shimming Tool: New 91-98171 — Old 91-63623

In addition to allowing shimming of the standard "24/32" gears, the new tools also have provisions for shimming the heavy duty "17/17" gears. Unlike the old tools, the new tools cannot be used for shimming the old 215E and 215H models.