

TO: SERVICE MANAGER  TECHNICIANS   
PARTS MANAGER

**No. 96-8**

## Brass Power Steering Hose Coupling

### Models

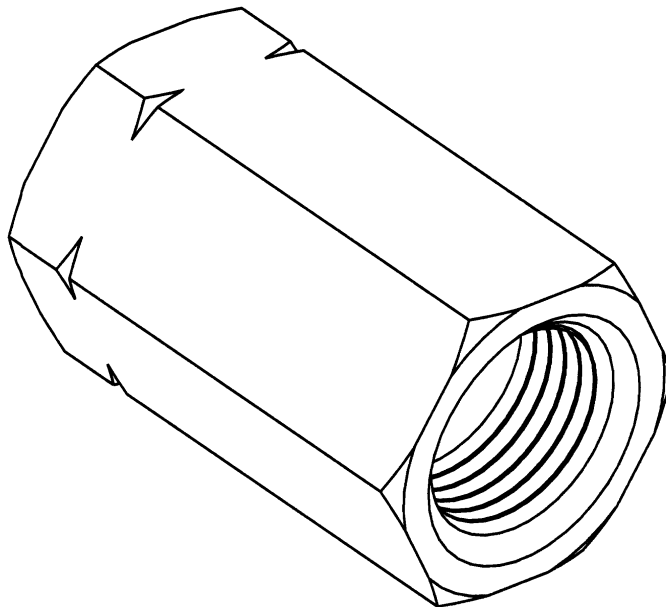
All serpentine belt model engines used in twin applications.

### Description

Brass coupling to connect the power steering hoses together on an engine with the serpentine belt system, when used in twin applications.

### Usage

To replace the plastic shipping coupling that comes with the engine. The brass coupling (shown below) will allow the power steering pump to remain on the engine, and circulate power steering fluid through the cooler to maintain proper temperature.



75006

### Brass Coupling (22-860099)

Leaving the pump on the engine, will allow the installation of a power steering priority valve system (79691A4) if the customer desires to do so. The priority valve kit allows the power steering actuator to function when either engine is operating.