

TO: SERVICE MANAGER  MECHANICS   
PARTS MANAGER

No. 90-17

Revised 1-18-91

## A. REPLACEMENT OF GIMBAL HOUSING STUDS JUST BELOW THE INNER TRANSOM PLATE ENGINE SUPPORTS ON ALPHA ONE GENERATION II TRANSOM ASSEMBLY

### Fix Program

Please repair all Alpha One Generation II transom assemblies in your stock before serial number OD530226 and below. If you have sold the boat, contact the owner and have the boat brought back to you for repair.

### Models

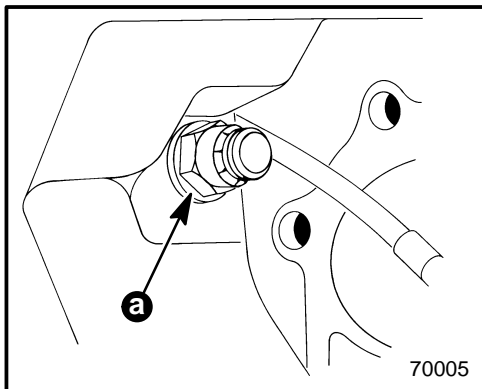
MCM 3.0L/3.0LX/4.3L/4.3LX/5.0L/5.0LX/5.7L/350 Magnum

### Problem

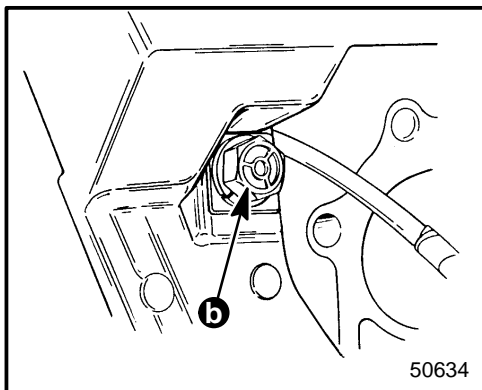
The studs just below the inner transom plate engine supports are too long and may rub on the lower exhaust pipe causing it to wear through.

### Correction

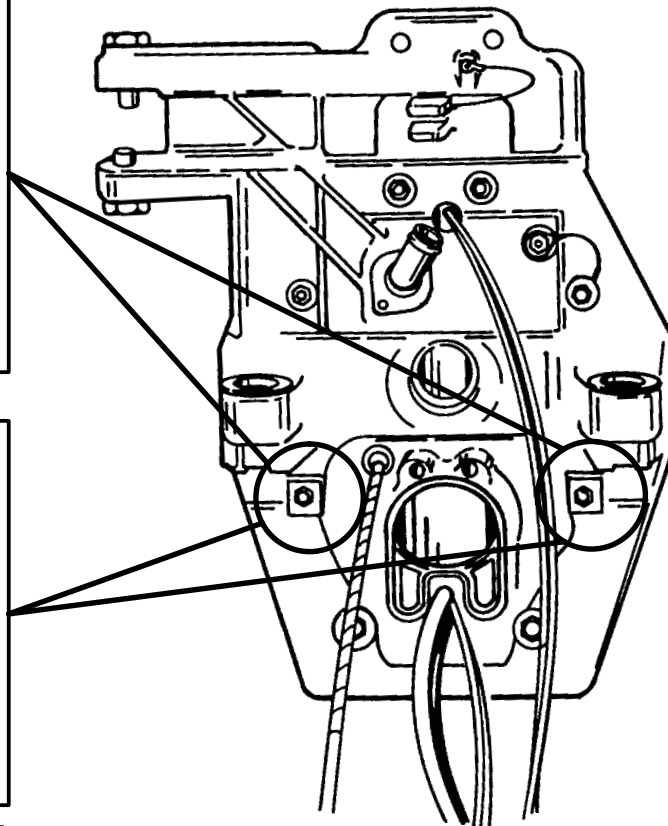
Replace studs-washers and elastic stop nuts (a) with bolts-lockwashers and square flat washers (b) as shown, and torque to 20-25 lb. ft. (27-34 N.m).



a - Locknuts and Flat Washers



b - 4-1/4 in. (108mm) Long Bolts Lockwashers and Square Flat Washers (2)



**Parts Required**

- (2) 10-37268 screws
- (2) 12-37271 square flat washers
- (2) 13-37272 lockwashers

**Warranty**

Fill out warranty claim and send to your normal processing center.