

TO: SERVICE MANAGER  TECHNICIANS   
PARTS MANAGER

**No. 95-2**

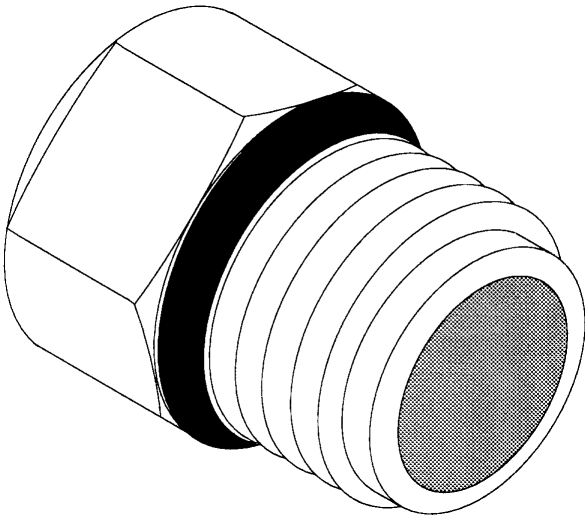
## A. OILDYNE TRIM PUMP ADAPTOR CONNECTORS

### Models

ALL MODELS

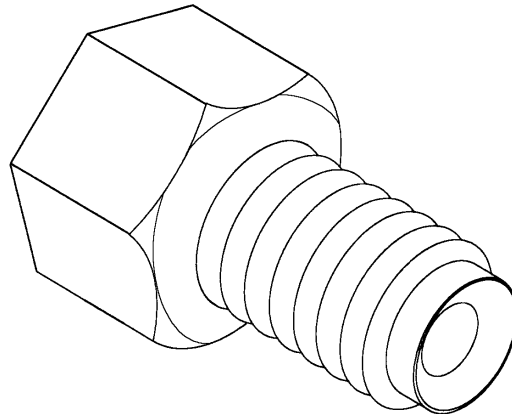
### Identification

The brass hose connectors in the OilDyne trim pump adaptor assembly have been changed, and now have a filter screen built into the brass connector (as shown in figure 1 below) this screen will prevent dirt and foreign material from entering into the shuttle valve area of the adaptor and the (up) and (down) pressure relief valves. The foreign material can cause the pump to malfunction when the dirt lodges under the check ball or behind the shuttle poppet valve. The screened connector will not back fit to the older adaptor because the threaded diameter was made larger to accommodate the screen.



**figure 1**

74496a



**figure 2**

74496b