

Circulate to:  Sales Manager  Accounting  Service Manager  Technician  Parts Manager

## Quick-Connect Fittings of the Bravo Seawater Inlet Hose

### Models Affected

Models	Serial Number
Bravo Sterndrive Engines	0W000005 and above
Mercury Racing Bravo Sterndrive Engines	0M905627 and above

### Situation

To properly install and remove the quick-connect fittings of the Bravo seawater inlet hose, the procedures detailed below must be followed.

### Corrections

After connecting the quick-connect fittings, perform the specified **pull test** at all quick-connect fitting connections and ensure that the requirements for checking the integrity of the connection are met.

- Pull on the seawater inlet hose near the connection point with an approximate force of 111 N (25 lbf.). If the quick-connect fittings do not become separated when force is applied, they are connected and sealed properly.
- If the quick-connect fittings become separated, reinstall as specified.
- When all steps have been completed, check for any leaks at this connection.

Procedures for installing and removing the quick-connect fittings are provided below.

### Quick-Connect Fittings Connection

#### **⚠ CAUTION**

**Excess water in the bilge can damage the engine or cause the boat to sink. An improperly connected seawater inlet hose could result in excess water in the bilge. Ensure that the seawater inlet hose is connected properly by performing the specified pull test.**

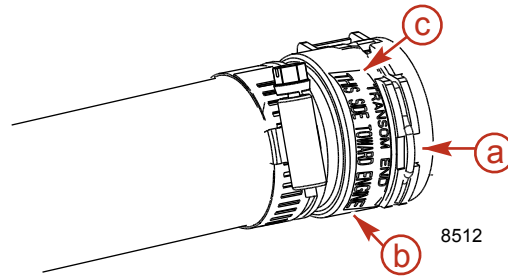
**NOTE:** *The retainer clip must be in the closed position before installation.*

1. Install the seawater inlet hose assembly to the water inlet fitting.

THE INFORMATION IN THIS DOCUMENT IS CONFIDENTIAL AND PROTECTED BY COPYRIGHT AND IS THE PROPERTY OF MERCURY MARINE.

This document is provided for the sole and exclusive use of the original recipient as prescribed by Mercury Marine and may not be distributed or copied, digitally or otherwise, without the prior written consent of Mercury Marine.

- a. Position the retainer clip in the closed position.



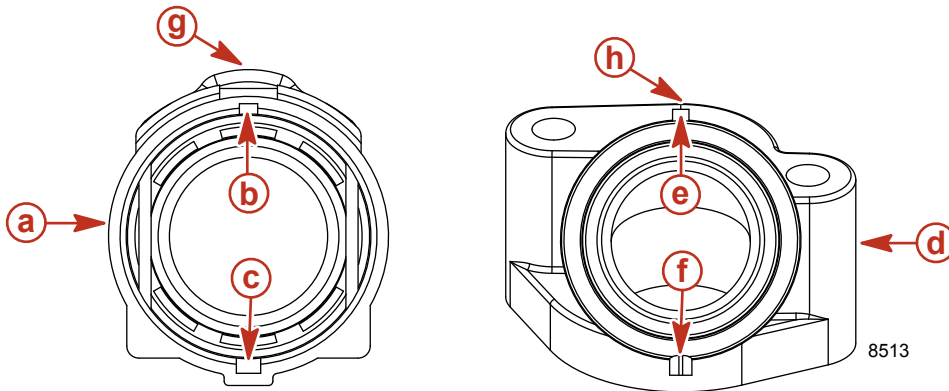
**Seawater inlet hose assembly**

- a** - Retainer clip closed  
**b** - Quick-connect fitting  
**c** - Hose decal

- b. Position the seawater inlet hose assembly with the center of the retainer clip and the hose decal toward the engine.

**IMPORTANT: Tabs and slots are sized to only mate at the correct orientation. Mate the small tab with the small slot.**

- c. Align the slots of the quick-connect fitting to the tabs of the water inlet fitting.



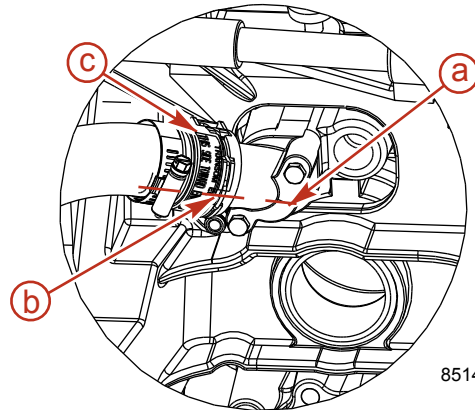
- a** - Quick connect fitting  
**b** - Small slot  
**c** - Large slot  
**d** - Seawater inlet fitting  
**e** - Small tab  
**f** - Large tab  
**g** - Center of retainer clip (toward engine)  
**h** - Centerline of water inlet fitting (toward engine)

- d. Ensure that the center line of the water inlet fitting and the center of the retainer clip are positioned toward the engine.
2. Push the seawater inlet hose assembly onto the water inlet fitting until connected.

THE INFORMATION IN THIS DOCUMENT IS CONFIDENTIAL AND PROTECTED BY COPYRIGHT AND IS THE PROPERTY OF MERCURY MARINE.

This document is provided for the sole and exclusive use of the original recipient as prescribed by Mercury Marine and may not be distributed or copied, digitally or otherwise, without the prior written consent of Mercury Marine.

**NOTE:** The retainer clip snaps into place and resumes the closed position when properly connected.

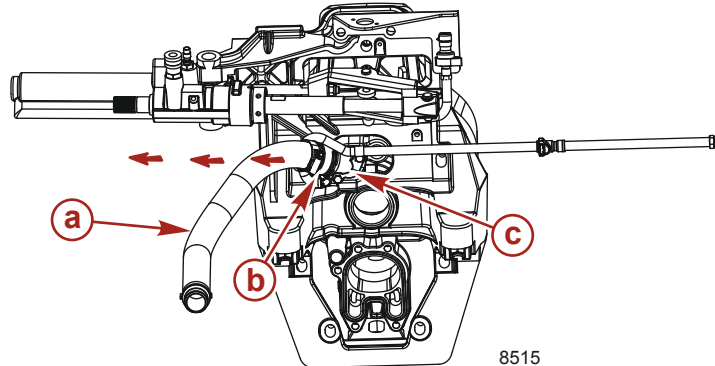


**Shown with engine removed for visual clarity**

- a** - Centerline of water inlet fitting      **c** - Hose decal  
**b** - Retainer clip in closed position

**IMPORTANT:** The pull test must be performed at the quick-connect fitting connections of the seawater inlet.

3. Perform the **pull test** below at the quick-connect fitting connection and ensure that the requirements for checking the integrity of the connection are met.
  - a. Pull on the seawater inlet hose near the connection point with an approximate force of 111 N (25 lbf). If the quick-connect fittings do not become separated when force is applied, they are connected and sealed properly.



**Shown with engine removed for visual clarity**

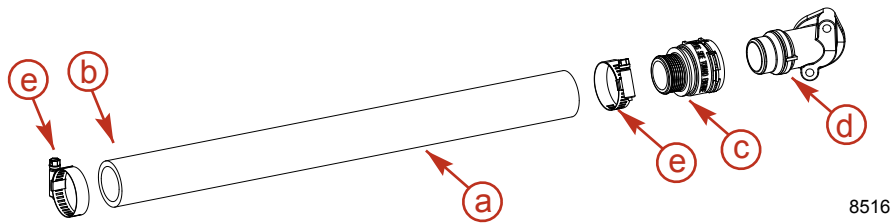
- a** - Seawater inlet hose      **c** - Seawater inlet fitting  
**b** - Quick-connect fitting

- b. If the quick-connect fittings become separated, reinstall as specified.
  - c. When all steps have been completed, check for any leaks at this connection.
4. Connect the seawater inlet hose to the engine seawater pump.

THE INFORMATION IN THIS DOCUMENT IS CONFIDENTIAL AND PROTECTED BY COPYRIGHT AND IS THE PROPERTY OF MERCURY MARINE.

This document is provided for the sole and exclusive use of the original recipient as prescribed by Mercury Marine and may not be distributed or copied, digitally or otherwise, without the prior written consent of Mercury Marine.

**NOTE:** The seawater inlet hose connects to the engine and the transom.

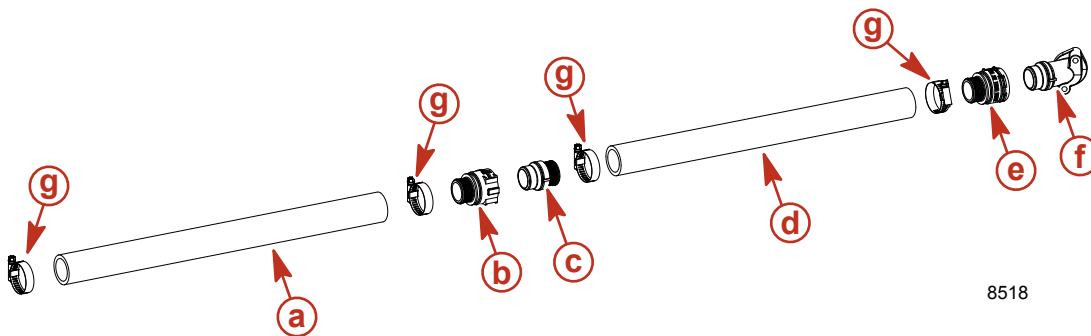


**Seawater inlet hose assembly**

- |                                  |                                   |
|----------------------------------|-----------------------------------|
| <b>a</b> - Seawater inlet hose   | <b>d</b> - Seawater inlet fitting |
| <b>b</b> - To engine             | <b>e</b> - Hose clamps            |
| <b>c</b> - Quick-connect fitting |                                   |

**5. Models using the seawater extension hose assembly:**

**NOTE:** The seawater extension hose assembly connects to the transom and the seawater inlet hose.



- |  |  |
|--|--|
| <b>a</b> - Seawater inlet hose                     | <b>e</b> - Quick-connect fitting to seawater inlet fitting |
| <b>b</b> - Quick-connect fitting to extension hose | <b>f</b> - Seawater inlet fitting                          |
| <b>c</b> - Quick connect male fitting              | <b>g</b> - Hose clamp                                      |
| <b>d</b> - Extension hose                          |  |

- a. When connecting the seawater extension hose assembly to the seawater inlet hose assembly, position the center of the retainer clip away from the engine for easy access.
- b. Position the retainer clip in the closed position.

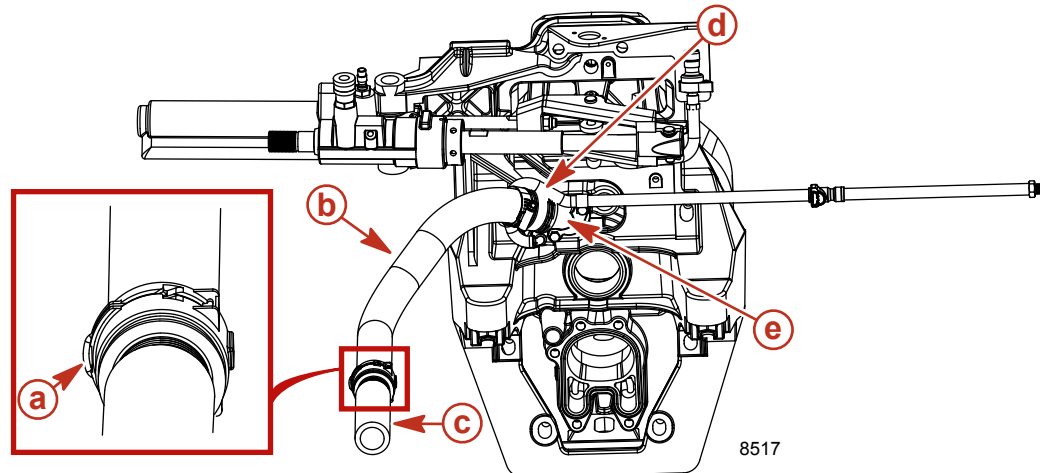
**IMPORTANT: Tabs and slots are sized to only mate at the correct orientation. Mate the small tab with the small slot.**

- c. Align the slots to the tabs of the of the quick-connect fittings.
- d. Push the quick-connect fittings together until connected.

THE INFORMATION IN THIS DOCUMENT IS CONFIDENTIAL AND PROTECTED BY COPYRIGHT AND IS THE PROPERTY OF MERCURY MARINE.

This document is provided for the sole and exclusive use of the original recipient as prescribed by Mercury Marine and may not be distributed or copied, digitally or otherwise, without the prior written consent of Mercury Marine.

**NOTE:** The retainer clip snaps into place and resumes the closed position when properly connected.



Shown with engine removed for visual clarity

- |   |   |
|---|---|
| <p><b>a</b> - Retainer clip position (away from engine)</p> <p><b>b</b> - Seawater extension hose</p> <p><b>c</b> - Seawater inlet hose (to engine seawater pump)</p> | <p><b>d</b> - Quick-connect fitting (to seawater inlet fitting)</p> <p><b>e</b> - Seawater inlet fitting (to transom)</p> |
|---|---|

**IMPORTANT:** The pull test must be performed at the quick-connect fitting connections of the seawater inlet.

- e. Perform the **pull test** below at the quick-connect fitting connection and ensure that the requirements for checking the integrity of the connection are met.
- f. Pull on the seawater inlet hose near the connection point with an approximate force of 111 N (25 lbf.). If the quick-connect fittings do not become separated when force is applied, they are connected and sealed properly.
- g. If the quick-connect fittings become separated, reinstall as specified.
- h. When all steps have been completed, check for any leaks at this connection.

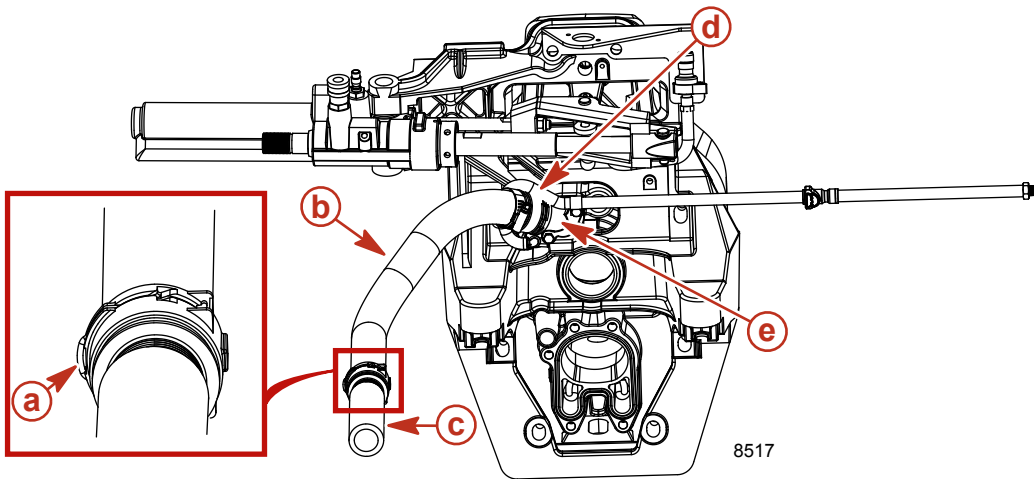
## Quick-Connect Fittings Removal

1. If equipped, detach the extension hose from the seawater inlet hose.
  - a. Position a screwdriver under the retainer clip.
  - b. Lift the retainer clip to the open position.

THE INFORMATION IN THIS DOCUMENT IS CONFIDENTIAL AND PROTECTED BY COPYRIGHT AND IS THE PROPERTY OF MERCURY MARINE.

This document is provided for the sole and exclusive use of the original recipient as prescribed by Mercury Marine and may not be distributed or copied, digitally or otherwise, without the prior written consent of Mercury Marine.

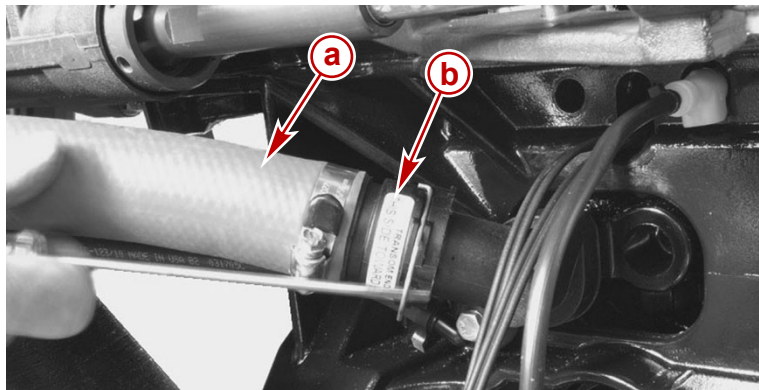
- c. Pull the extension seawater inlet hose to detach.



Shown with engine removed for visual clarity

- a - Retainer clip position (away from engine)
- b - Extension hose
- c - Seawater inlet hose (to engine seawater pump)
- d - Quick-connect fitting (to seawater inlet fitting)
- e - Seawater inlet fitting (to transom)

- 2. Remove the seawater inlet hose at the transom.
  - a. Position a screwdriver under the retainer clip.
  - b. Lift the retainer clip to the open position.
  - c. Pull the seawater inlet hose assembly from the transom.



- a - Seawater inlet hose
- b - Quick-connect fitting

THE INFORMATION IN THIS DOCUMENT IS CONFIDENTIAL AND PROTECTED BY COPYRIGHT AND IS THE PROPERTY OF MERCURY MARINE.

This document is provided for the sole and exclusive use of the original recipient as prescribed by Mercury Marine and may not be distributed or copied, digitally or otherwise, without the prior written consent of Mercury Marine.