

Warranty Information

Service Information

Bulletin No. 2003-10r1

Parts Information

Circulate to:

Sales Manager

Accounting

Service Manager

Technician

Parts Manager

Hairpin Cotter 18-859746 is NLA

Situation

Hairpin Cotter part number 18-859746 has been made No Longer Available (NLA). This part was the subject of a Federal Boating Safety Act recall as described in MerCruiser service bulletin 2003-09. As part of the containment activity associated with the recall, hairpin cotter is being made NLA in order to prevent it from accidentally being installed in an application at some point in the future.

Dealer Parts Inventory

Dealer inventory of hairpin cotter 18-859746 should be scrapped.

Part Required

Outboard Applications


Replace 18-859746 hairpin cotter one for one with part number 18-892655T hairpin cotter.



mc79779

Sterndrive Applications

Hairpin cotter 18-859746 that retains the shift cables on the shift plate assembly on all MCM engines must be replaced with (1) of 18-32857-1 cotter pin at the shift cable anchor on the Alpha switch actuating arm and Bravo shift cable retainer plus (3) of 18-21071-1 cotter pins for the two studs and the clevis pin on the shift lever of both the Alpha and Bravo shift plate assemblies.

Qty. 1 of 18-32857-1 cotter pin for transom shift cable retention.  mc79777

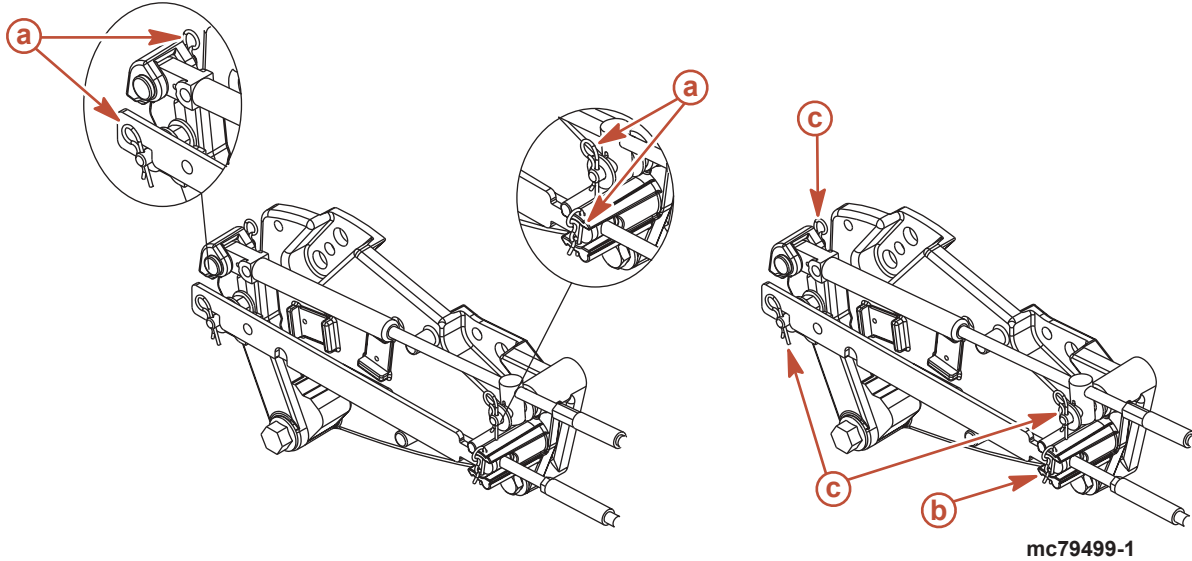
Qty. 3 of 18-21071-1 cotter pins for shift lever clevis pin and studs.  mc79778

THE INFORMATION IN THIS DOCUMENT IS CONFIDENTIAL AND PROTECTED BY COPYRIGHT AND IS THE PROPERTY OF MERCURY MARINE.

This document is provided for the sole and exclusive use of the original recipient as prescribed by Mercury Marine and may not be distributed or copied, digitally or otherwise, without the prior written consent of Mercury Marine.

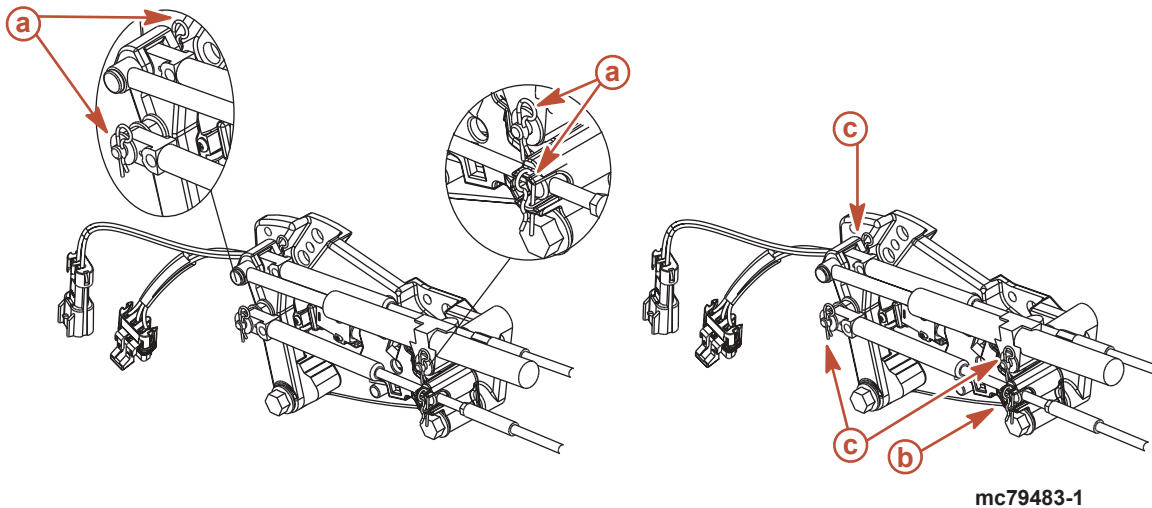
Parts Return

When returning new shift plate assemblies, or an assembly that you have removed from an engine, fill out and send a warranty claim along with the return part. The shift plate assemblies must be returned to Mercury Marine as a warranty return using the following (Part code 499) (Fail Code 40) for warranty credit, and not as a return to stock item for credit.



Bravo shift plate

- a** - Hairpin cotters
- b** - Location to install 18-32857-1 coter pin
- c** - Locations to install 18-21071-1 coter pins



Alpha shift plate

- a** - Hairpin cotters
- b** - Location to install 18-32857-1 coter pin
- c** - Locations to install 18-21071-1 coter pins

THE INFORMATION IN THIS DOCUMENT IS CONFIDENTIAL AND PROTECTED BY COPYRIGHT AND IS THE PROPERTY OF MERCURY MARINE.

This document is provided for the sole and exclusive use of the original recipient as prescribed by Mercury Marine and may not be distributed or copied, digitally or otherwise, without the prior written consent of Mercury Marine.