

Circulate to: Sales Manager Accounting Service Manager Technician Parts Manager

Gimbal Ring U-Bolt Change on All Bravo Transoms

Models Affected

All Bravo Transom assemblies including High Performance and Integrated Transoms.

Situation

The U-bolt on all Bravo transom assemblies changed from a 3/8-24 to a 7/16-20 nut to improve clamp load to the gimbal ring at the upper swivel shaft.

Following are the starting serial numbers for the U-bolt change by transom type:

Transom Type	Starting Serial Number
Bravo Standard Transom	0W461977
Bravo Magnum Transom	0W465665
Bravo High Performance Transom	0W151674
Bravo High Performance Transom without sender	0W151756
Bravo SmartCraft Transom	0W168456
Bravo Integrated Transom	0M951842
Bravo Belgium Diesel Transom	0W403967
Bravo Yanmar Diesel Transom	0W403950

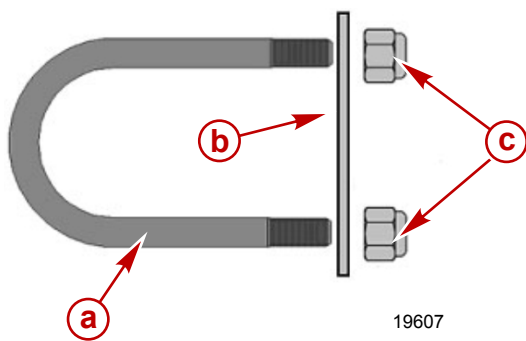
Description	Nm	lb. in.	lb. ft.
3/8-24 U-bolt nut	72	-	53
7/16-20 U-bolt nut	62	-	50

The service manuals will be updated as they come up for revision to reflect both the new 7/16-20 U-bolt and the older 3/8-24 U-bolt nut torque values.

THE INFORMATION IN THIS DOCUMENT IS CONFIDENTIAL AND PROTECTED BY COPYRIGHT AND IS THE PROPERTY OF MERCURY MARINE.

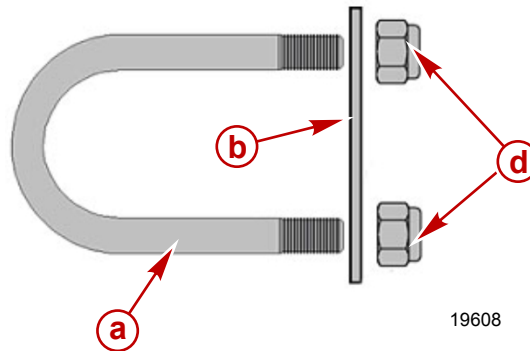
This document is provided for the sole and exclusive use of the original recipient as prescribed by Mercury Marine and may not be distributed or copied, digitally or otherwise, without the prior written consent of Mercury Marine.

The new larger 7/16-20 U-bolt was put into production on 08/25/05.



Bravo gimbal ring U-bolt with thread size 3/8-24

- a - Gimbal ring U-bolt
- b - Bracket



Bravo gimbal ring U-bolt with thread size 7/16-20

- c - 9/16 Nut
- d - 5/8 Nut

The 7/16-20 U-bolt **does not back-fit** earlier products on which the 3/8-24 U-bolt is currently installed. The gimbal ring has been changed to allow the larger U-bolt to be used as of 08/25/05. All service gimbal rings ordered will now include the new U-bolt and attaching hardware.

Replacement Part Number

Qty.	Description	Part Number	Size
1	U-bolt	10-866324	7/16-20
2	Nut	11-859116	5/8-20
1	Bracket	816515T	

Replacement Gimbal Ring Assembly

1	Gimbal Ring Assembly	All Other Bravo Product	822374A14
1	Gimbal Ring Assembly	High Performance Transom	822374A17
1	Gimbal Ring Assembly	Integrated Transom	840532A02

THE INFORMATION IN THIS DOCUMENT IS CONFIDENTIAL AND PROTECTED BY COPYRIGHT AND IS THE PROPERTY OF MERCURY MARINE.

This document is provided for the sole and exclusive use of the original recipient as prescribed by Mercury Marine and may not be distributed or copied, digitally or otherwise, without the prior written consent of Mercury Marine.