

Circulate to: Sales Manager Accounting Service Manager Technician Parts Manager

3000 Series Zeus Pod – Gearcase Oil Drain Tube Seal Improvement

Models Affected

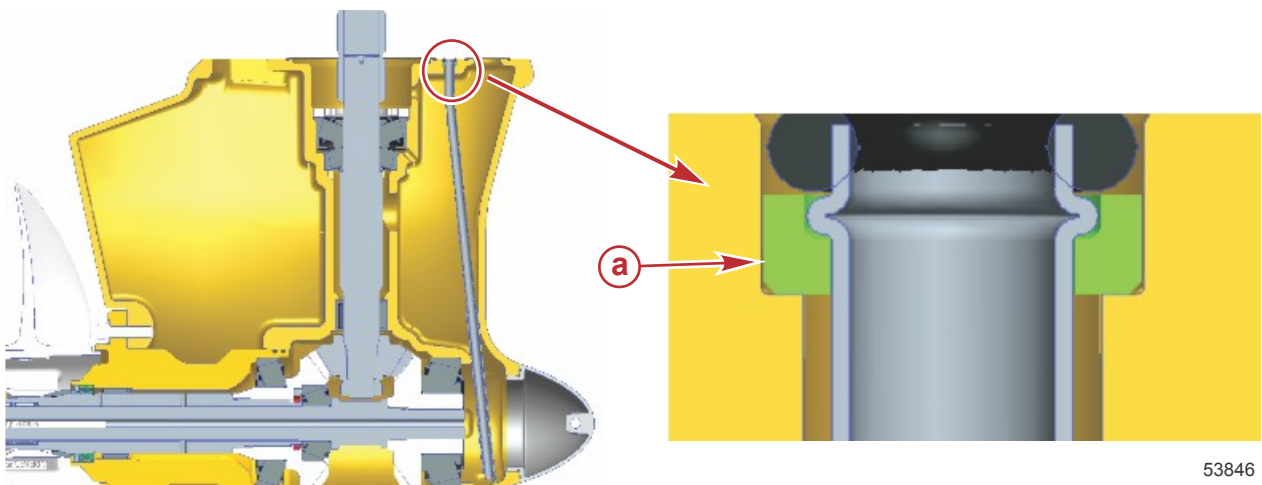
Models Covered
All Zeus 3000 Series Pods

Scope

Worldwide

Situation

The drain tube seal design on the split-line surface of the gearcase housing has been improved. The former double O-ring design has been upgraded to include a new brass split ring in combination with the single O-ring. This split ring will maintain the drain tube in a consistent location and provide for reliable sealing of the O-ring between the gearcase and king pin adaptor plate mounting surfaces. Refer to the installation sketch below.



a - Bronze split ring

This new design was implemented for production Zeus pods starting with serial number 0M969929.

On product built prior to this serial number, and during a service event requiring the gearcase to be removed, this new split ring is available to be installed.

THE INFORMATION IN THIS DOCUMENT IS CONFIDENTIAL AND PROTECTED BY COPYRIGHT AND IS THE PROPERTY OF MERCURY MARINE.

This document is provided for the sole and exclusive use of the original recipient as prescribed by Mercury Marine and may not be distributed or copied, digitally or otherwise, without the prior written consent of Mercury Marine.

Parts Required

Qty.	Description	Part Number
1	Split ring	8M0079852

Warranty

If a failure occurs within the normal warranty period, requiring the gearcase to be removed, and it contains the double o-ring design, replace the inner O-ring with the new split ring, and add this to the warranty claim.

THE INFORMATION IN THIS DOCUMENT IS CONFIDENTIAL AND PROTECTED BY COPYRIGHT AND IS THE PROPERTY OF MERCURY MARINE.

This document is provided for the sole and exclusive use of the original recipient as prescribed by Mercury Marine and may not be distributed or copied, digitally or otherwise, without the prior written consent of Mercury Marine.