

MercTach Interface Module P/N 825824A-2

ALL MODELS

1996 Force 40 thru 120 HP

An interface module p/n 825824A-2 is available for the Merctach digital service tachometer p/n 79-17391A-1. The digital service tachometer was originally designed to be connected to the primary wire of the ignition coil. Design changes to the product has made connection to the primary wire difficult or impossible. The interface module will allow connection to the spark plug wire to accurately read RPM. The interface module is essential for outboard models with CDM ignition systems.

Primary Wire Hookup Requires:

Digital Merctach
79-17391A-1

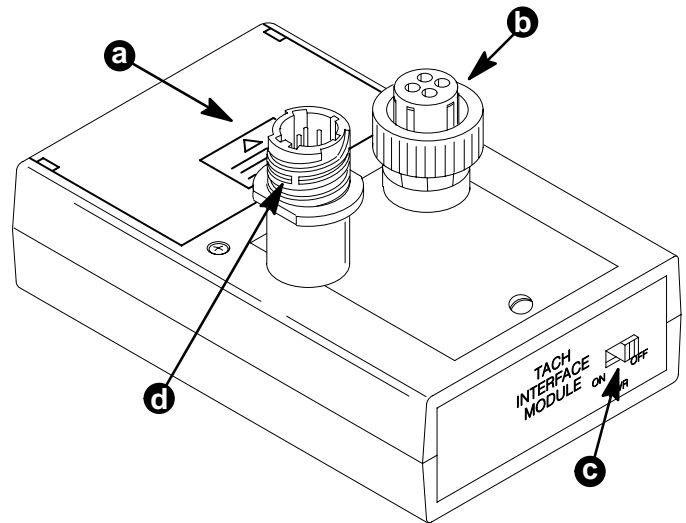
Spark Plug Wire Hookup Requires:

Digital Merctach
79-17391A-1

and

Interface module
825824A-2

The interface module is 2-3/8 inches (60 mm) wide and 3-3/4 inches (95 mm) long. The module connects between the tachometer and clamp on lead. It is powered by a nine volt battery (not included) and contains an ON/OFF switch. The switch should be "OFF" when not in use.



54315

- a. Battery Compartment.
- b. Tachometer Connection.
- c. Switch – ON/OFF.
- d. Clamp On Lead Connection.