

## Propeller Shaft Seal – 40, 50, and 75 HP

### Models Affected

1998 Force 40, 50, and 75 HP

Serial Number – 0E311411 thru 0E313993

The outer propeller shaft seal in the bearing carrier on the models listed may cause water to enter the gear housing. Replacement of the seal is required for outboards within the serial numbers listed that have not been reworked at the factory. The seal that requires replacement has a carbon steel compression spring and is replaced with a seal using a stainless steel spring. Outboards reworked at the factory have a green dot on the upper rear of the gear housing above the anti-ventilation plate and a green dot on the outside of the shipping carton next to the serial number for identification.

### OWNER NOTIFICATION

A letter will be sent to every registered owner of an affected outboard. The letter will advise the owner to contact their selling dealer or any other authorized dealer to make arrangements for the replacement of the propeller shaft seal. A copy of the letter is included with this service bulletin.

### SERVICE PARTS INVENTORY

Quicksilver parts distribution did not receive any defective seals with carbon steel springs. All dealer inventory of the replacement seal should have the correct spring material.

### CORRECTION

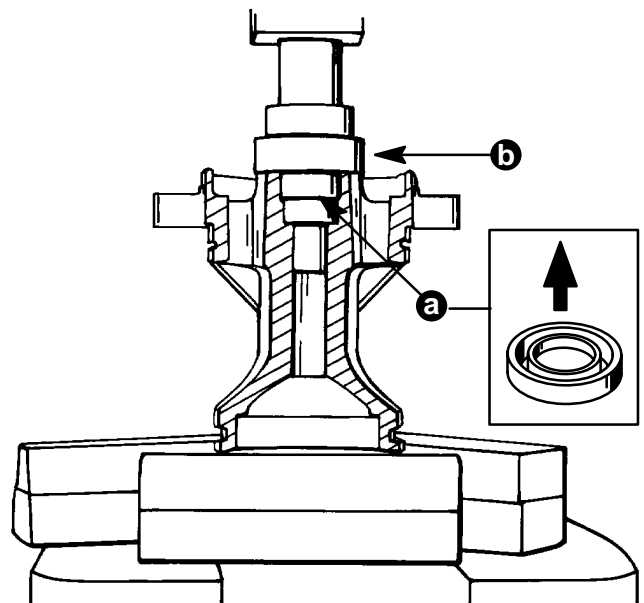
Replace the outer propeller shaft seal on outboards within the serial numbers listed that have not been reworked at the factory. It will be necessary to remove the bearing carrier from the gear housing. Remove and replace only the outer propeller shaft seal. The outer seal is installed with the seal lips facing out. Apply grease between the two seals for extra durability. Refer to the service manual for proper seal installation instructions. Paint the end of the propeller shaft white to identify the installation of the new seal.

Tools required:

Torque wrench

Loctite 271

Mandrel 91-817007



a - Outer Seal

b - Mandrel 91-817007

## NEW SERVICE INFORMATION

**Bearing Carrier Installation:** This new service information applies to all the models listed in this service bulletin. Installation of the bearing carrier requires replacement of the original washers and bolts. This change allows for an increase in the bearing carrier bolt torque. Discard any locking tab washers or the previous 0.063 in. (1.60 mm) thick flat washers and the previous 25 mm long bolts. They should be replaced with new 0.090 in. (2.29 mm) thick flat washers p/n 12-855941 and longer 30 mm bolts p/n 10-855940-30. The bolts should be torqued to a higher specification of 225 lb. In./18.7 lb. Ft. (25.4 N·m). The service manuals will have the new procedures and revised torque specification included in the next revision.

### Discard

Tab Washer  
14-826613

or

Flat Washer  
12-70132  
.063 in (1.60 mm)

and

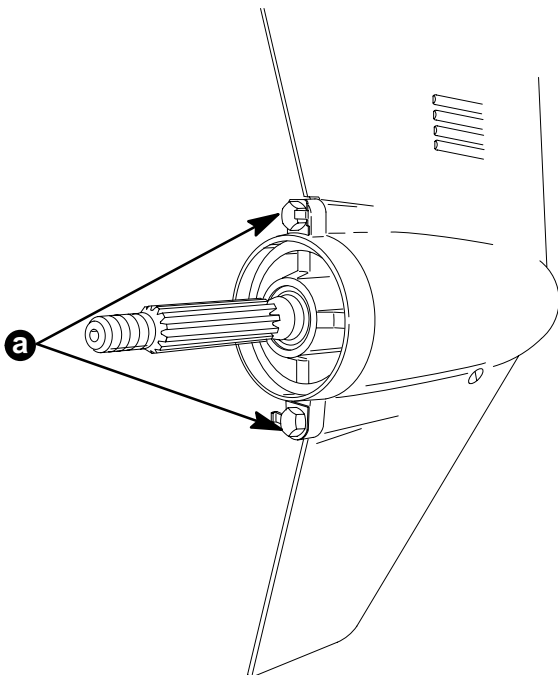
Bolt  
10-40003-53  
30 mm Long

### Install

Flat Washer  
12-855941  
0.090 in. (2.29 mm)

Flat Washer  
12-855941  
0.090 in. (2.29 mm)

Bolt  
10-855940-30  
30 mm Long



a - Torque Bolts to 225 lb. In./ 18.8 lb. Ft. (25.4 N·m).

## PARTS REQUIRED

Qty. 1 26-69189 Seal.

Qty. 2 P/N 12-855941 Flat Washer.

Qty. 2 P/N 10-855940-30 Bolts.

## REPAIR IDENTIFICATION

Reworked at the factory:

    a green dot on the upper rear of the gear housing.

    a green dot on the outside of the shipping carton next to the serial number.

Repaired at the dealership:

    white end of the propeller shaft.

## WARRANTY

Complete warranty claim listing:

Outboard serial number.

Qty. 1 P/N 26-69189 Oil Seal.

Qty. 2 P/N 12-855941 Flat Washer.

Qty. 2 P/N 10-855940-30 Long Bolts.

Seal Replacement – Seven tenths (0.7) hour labor.

Diagnosis/Test – Three tenths (0.3) hour labor.

Warranty labor rate code      OG15.

Diagnosis/Test                    CG20.

Failure code   219 40

US & Canada – Tag and hold parts for 60 days after the warranty credit is received.

International – Hold parts for inspection/disposal by a Marine Power International technical representative.



W6250 PIONEER ROAD  
P.O. BOX 1939  
FOND DU LAC, WI 54936-1939 U.S.A.

PHONE (414) 929-5000 ■ FAX (414) 929-5060

---

Dear Customer:

Our testing has shown that your outboard may develop a water leak in the gear housing. To prevent this, we need to replace the outer propshaft seal.

### **WHAT YOU SHOULD DO**

*NOTE: If your boat currently is in storage, you may wait until it is removed from storage to have the seal replaced.*

Contact your authorized dealer, preferably the one you bought this engine from, and make arrangements to deliver your boat to the dealer to have the repairs performed. Please give this letter to the dealer; the reverse side comprises a form the dealer will send us for reimbursement.

### **WHAT WE WILL DO**

The dealer will replace the propshaft seal, and we will pay the dealer for doing this.

We apologize for any inconvenience, but it is in your best interest to safeguard your engine from preventable damage.