

- WARRANTY INFORMATION     SERVICE INFORMATION  
 PARTS INFORMATION

Bulletin No. 2002-12

Circulate to:    Sales Manager    Accounting    Service Manager    Technician    Parts Manager

## New Design - Lower Bow Arm Pin

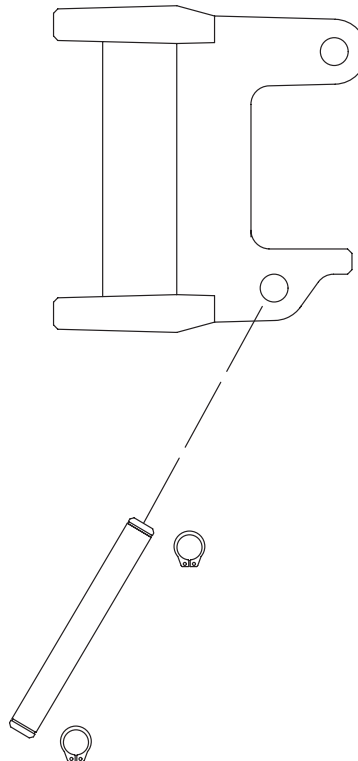
### Models Affected

All 01 and 07 Bow Mounts

### Situation

The lower bow arm pin that connects the bow arm to the bracket door assembly on all 01 and 07 bow mounts has been modified in order to ease assembly of the parts. The newly designed lower pin is similar, but not identical, to the upper pin. Both the pin and the retainer ring of the previous design, part numbers MBK04604 and 17-MBK10205, are No Longer Available (NLA).

**IMPORTANT: The old parts cannot be superseded to the new part numbers because the old and new parts must not be intermixed.**



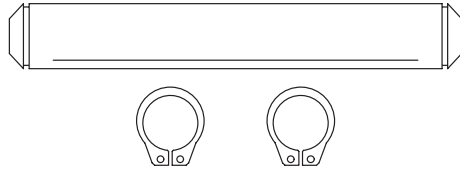
00143

THE INFORMATION IN THIS DOCUMENT IS CONFIDENTIAL AND PROTECTED BY COPYRIGHT AND IS THE PROPERTY OF MOTORGUIDE.

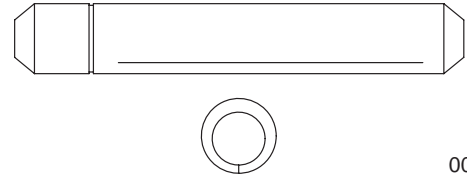
This document is provided for the sole and exclusive use of the original recipient as prescribed by MotorGuide and may not be distributed or copied, digitally or otherwise, without the prior written consent of MotorGuide.

The new design utilizes two snap rings in grooves located at each end of the pin. The previous design utilized a single retaining ring located further in from the end of the pin. (See Figure 2 below.)

### NEW DESIGN



### OLD DESIGN



00142

## Dealer Parts Inventory

Parts in your inventory may continue to be used. DO NOT mix parts of the old and new designs.

## Parts Required

Qty. 1	17-MDK10703	Bow Arm Pin
Qty. 2	53-MRK04601	Retaining Ring

THE INFORMATION IN THIS DOCUMENT IS CONFIDENTIAL AND PROTECTED BY COPYRIGHT AND IS THE PROPERTY OF MOTORGUIDE.

This document is provided for the sole and exclusive use of the original recipient as prescribed by MotorGuide and may not be distributed or copied, digitally or otherwise, without the prior written consent of MotorGuide.