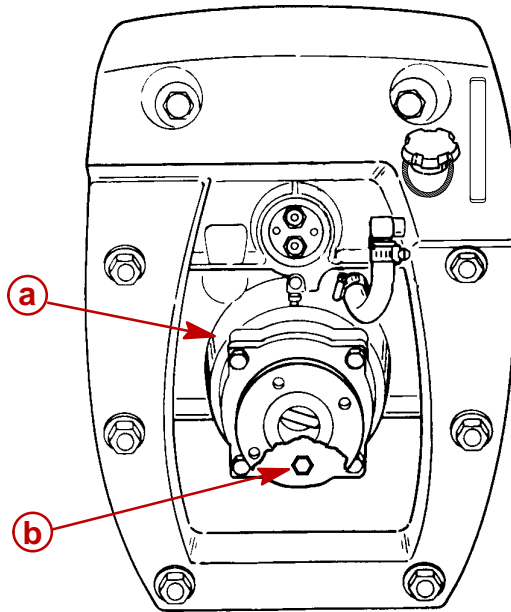


## Filling MerCruiser VI Dry Sump Drive

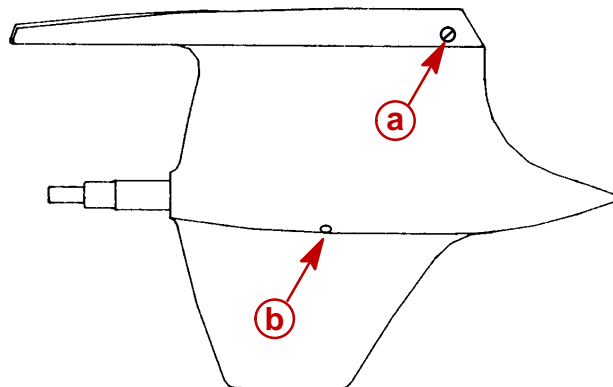
### Draining

1. **Drive-Line Models:** Place a suitable container below the input shaft housing and remove the bottom pipe plug (b).



- a - Input Shaft Housing
- b - Pipe Plug

2. **All Models:** Remove Vent and Fill plugs from gear case and drain oil into suitable container.



- a - Vent Plug
- b - Fill Plug

---

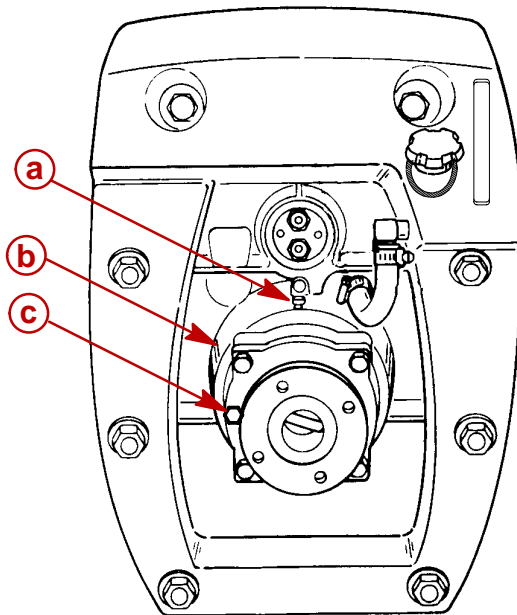
## Filling Dry Sump Drive Unit & Input Shaft Housing

**IMPORTANT:** Fill Dry Sump drive and transom input shaft housing (drive-line models only) with TORCO MTF Gear Lube (P/N 92-849684-1).

**IMPORTANT:** When using a Dry Sump VI drive, the inner transom reservoir is used only as an expansion chamber. The input shaft housing must be filled with lubricant.

### FILLING TRANSOM INPUT SHAFT HOUSING - DRIVE-LINE MODELS

1. Remove the plug (c) from the input shaft housing front cover. Oil level should be to the bottom of the cover plug hole. If not, remove the pipe plug (a) from the top of the input shaft housing.
2. Fill the input shaft housing thru the top pipe plug hole (a) until oil flows from pipe plug hole (c).



- a** - Pipe Plug Hole (Fill Thru Here)
- b** - Input Shaft Housing
- c** - Pipe Plug Hole

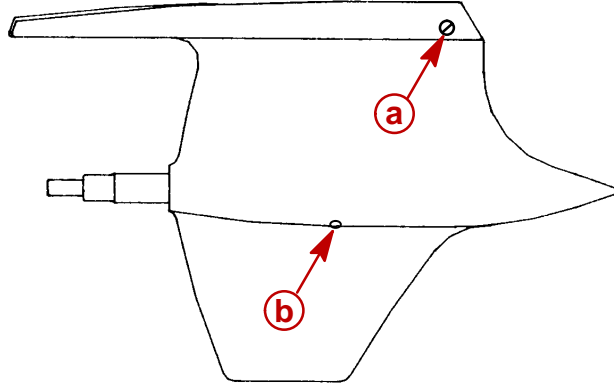
3. Install the pipe plugs (a & c) into the input shaft housing and tighten securely.

## FILLING DRIVE UNIT - ALL MODELS

### ⚠ CAUTION

Power loss will occur if the drive is overfilled by more than one quart (0.95L).

4. Remove the upper "VENT" plug from the gear case. Oil level should be to the bottom of the "VENT" plug hole.



**a** - Vent Plug  
**b** - Fill Plug

5. If oil level is low, remove the lower "FILL" plug from the gearcase and fill until oil comes out of the top "VENT" plug opening.
6. Install the upper "VENT" plug.
7. Remove filler tube and install the lower "FILL" plug.
8. If the drive oil pump filter was replaced, the input shaft needs to be rotated a minimum of 80 revolutions in order to fill the filter. Re-check the drive oil level. See Service Manual 90-840250, Section 4A for the oil filter change procedure.

**NOTE:** The drive oil filter should be changed after the initial 20 hour break-in and whenever the drive is rebuilt.