

Warranty Information Service Information

Sterndrive No. 2004-01

 Parts Information

OEM No. 2004-01

Circulate to: Sales Manager Accounting Service Manager Technician Parts Manager

Maximum Propeller Diameter-Short SportMaster Bravo Drive

Situation

Propellers with a diameter larger than 387 mm (15-1/4 in.) will contact the Splash Plate when used on Short SportMaster Bravo drives. An example of a Mercury Marine propeller that would have interference with the splash plate is the Maximus propeller, which measures 397 mm (15-5/8 in.) in stock form.

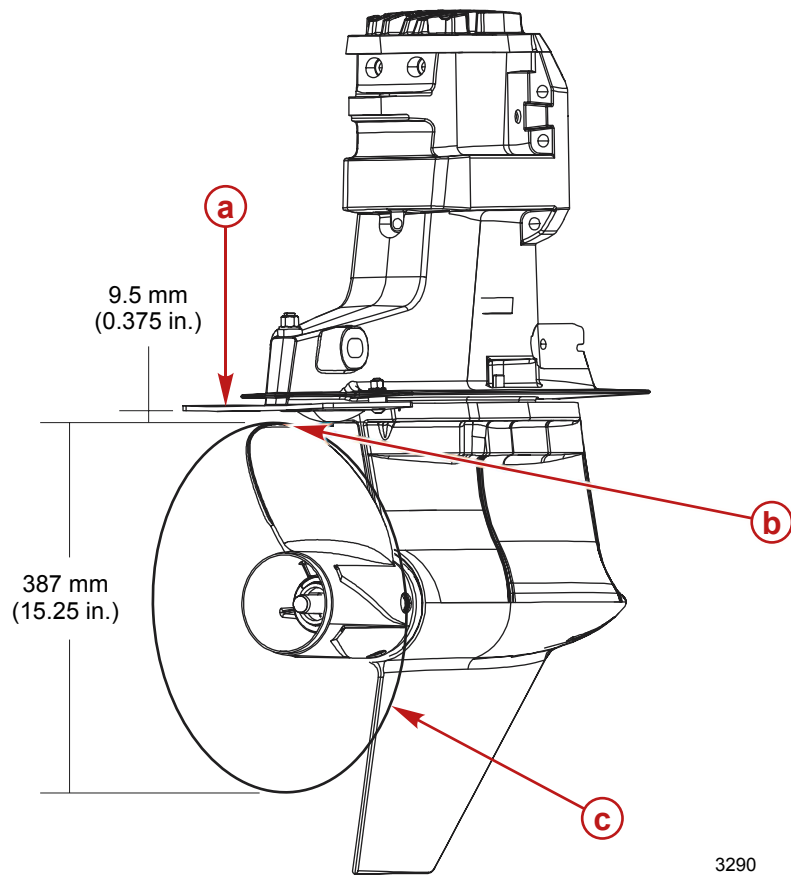
Correction

Measure both the propeller diameter and the clearance between the propeller tip and splash plate. Propeller diameter can not exceed 387 mm (15-1/4 in.) and the minimum space between the propeller tip and the splash plate is 9.5 mm (3/8 in.) .

THE INFORMATION IN THIS DOCUMENT IS CONFIDENTIAL AND PROTECTED BY COPYRIGHT AND IS THE PROPERTY OF MERCURY MARINE.

This document is provided for the sole and exclusive use of the original recipient as prescribed by Mercury Marine and may not be distributed or copied, digitally or otherwise, without the prior written consent of Mercury Marine.

IMPORTANT: Propellers that have less than 9.5 mm (3/8 in.) clearance between the propeller tip and the splash plate may not contact the splash plate when rotated by hand but will make contact during operation.



a - Splash plate
b - Propeller tip

c - Propeller diameter

Warranty

Propeller and splash plate damage caused by excessive propeller diameter will not be covered by Mercury Marine's Limited Warranty.

THE INFORMATION IN THIS DOCUMENT IS CONFIDENTIAL AND PROTECTED BY COPYRIGHT AND IS THE PROPERTY OF MERCURY MARINE.

This document is provided for the sole and exclusive use of the original recipient as prescribed by Mercury Marine and may not be distributed or copied, digitally or otherwise, without the prior written consent of Mercury Marine.