

Circulate to: Sales Manager Accounting Service Manager Technician Parts Manager

Official Recall Notification U.S. Federal Boat Safety Act: Improper Overcurrent Protection on Starter Solenoid and Alternator Sense Circuit

Models Affected

Models Covered	Serial Number Range
HP525 EFI	0M900146 through 0M962496
HP600 Sci, HP662 Sci, HP700 Sci	
HP850 Sci, HP1075 Sci, HP1200 Sci	

Situation

The engine and alternator harnesses have improper overcurrent protection. If an electrical overload condition develops in either of these two circuits, the condition may cause the conductor to overheat and could cause an electrical fire in the harness. A kit to rectify this situation is available from Mercury Racing.

Correction

If the engine serial number is in the range for this recall, check the engine history in MercNET to see if the recall is closed. If the recall is closed, no further action is required. If the recall is open, follow the procedure in this bulletin and complete a warranty claim.

Fuse Installation

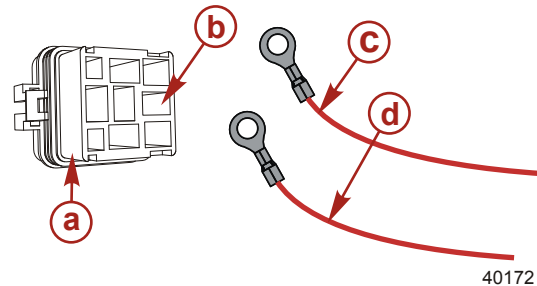
1. Turn off the battery switch for the engine or disconnect the battery ground cable.
2. Locate the two 8 gage wires (14-Pin engines), or three 8 gage wires (older 10-Pin 525 engines), that are connected to the 90 Amp fuse on the starter solenoid and remove them from the fuse connection.
3. Locate the 8 gage wire with two wires crimped to the connector (one 8 and one 18 gage wire).
4. Strip the heat shrink from the connector and cut the 18 gage wire close to the connector. Strip ¼ in. of the insulation from the end of the 18 gage wire.
5. Connect the 18 gage wire to the open lead on the 5 Amp fuse assembly with the supplied butt splice. Apply heat to the splice to seal the wires.
6. Slide the heat shrink sleeve over the smaller end of the 50 Amp fuse assembly.

THE INFORMATION IN THIS DOCUMENT IS CONFIDENTIAL AND PROTECTED BY COPYRIGHT AND IS THE PROPERTY OF MERCURY MARINE.

This document is provided for the sole and exclusive use of the original recipient as prescribed by Mercury Marine and may not be distributed or copied, digitally or otherwise, without the prior written consent of Mercury Marine.

IMPORTANT: Use an ohmmeter to locate the proper wire to connect the 50 amp fuse to on engines equipped with a 10-Pin harness connecting the engine harness to the helm.

7. With the wires disconnected from the 90 amp fuse, find the wire that feeds the Main power relays. Connect an ohmmeter from the ring terminal to the #1 position on the Main Power relay connector. Use that wire in the next step.
8. Connect the smaller connector of the 50 Amp fuse assembly to the 8 gage wire that feeds the main power relays with the nut and bolt. Slide the heat shrink sleeve over the connectors and apply heat to the sleeve to seal the connection.



a - Main power relay connector
b - Position 1

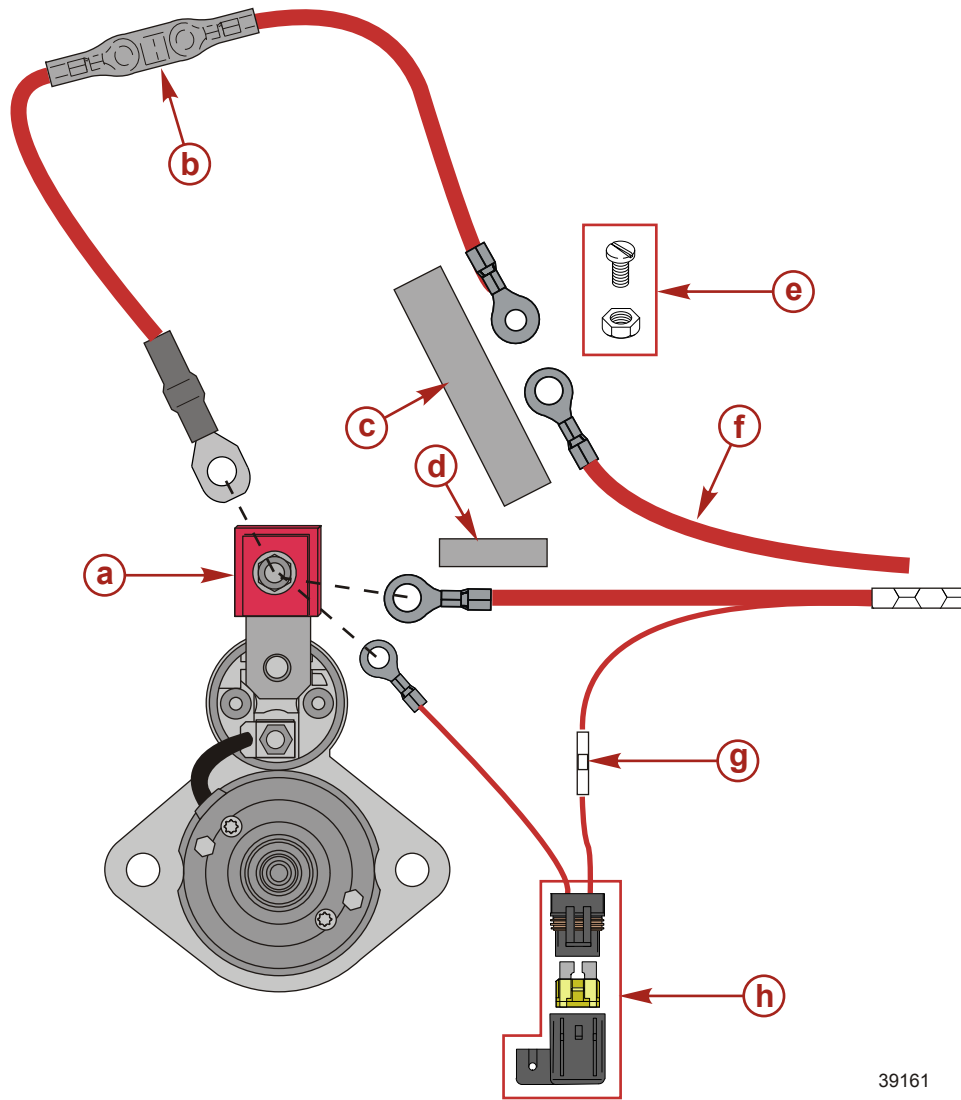
c - To existing 50 amp circuit breaker
d - To main power relays

9. Slide the heat shrink sleeve over the remaining 8 gage wire connector and apply heat to the sleeve to seal the crimped portion of the connector.
10. Attach the larger connector of the 50 Amp fuse assembly, the remaining 8 gage wire, and the remaining 5 Amp fuse connector to the 90 Amp fuse with the nut previously removed.

THE INFORMATION IN THIS DOCUMENT IS CONFIDENTIAL AND PROTECTED BY COPYRIGHT AND IS THE PROPERTY OF MERCURY MARINE.

This document is provided for the sole and exclusive use of the original recipient as prescribed by Mercury Marine and may not be distributed or copied, digitally or otherwise, without the prior written consent of Mercury Marine.

11. Secure the two fuse assemblies to the engine harness with the supplied tie wrap.



- a - 90 Amp fuse
- b - 50 Amp fuse assembly
- c - Heat shrink sleeve
- d - Heat shrink sleeve

- e - Nut and bolt
- f - To main power relays
- g - Alternator sense wire
- h - 5 Amp fuse assembly

Warranty Information for the Replacement Part

Submit a warranty claim including the following information:

- Engine Serial number
- Kit # 879365A20
- Flat rate code and labor: SB05, 1.0 hours
- Part code: 331
- UFO Failure code: 40

THE INFORMATION IN THIS DOCUMENT IS CONFIDENTIAL AND PROTECTED BY COPYRIGHT AND IS THE PROPERTY OF MERCURY MARINE.

This document is provided for the sole and exclusive use of the original recipient as prescribed by Mercury Marine and may not be distributed or copied, digitally or otherwise, without the prior written consent of Mercury Marine.

Owner Notification

All registered owners with the affected engine models will receive a letter from Mercury Marine. This letter will explain the situation and request that they contact their local dealer to set up a time to have this inspection performed.

UNITED STATES AND CANADA

Complete the process and file a warranty claim via MercNET or return a warranty claim.

INTERNATIONAL

Follow instructions issued by the Marine Power International office or by your distributor.

THE INFORMATION IN THIS DOCUMENT IS CONFIDENTIAL AND PROTECTED BY COPYRIGHT AND IS THE PROPERTY OF MERCURY MARINE.

This document is provided for the sole and exclusive use of the original recipient as prescribed by Mercury Marine and may not be distributed or copied, digitally or otherwise, without the prior written consent of Mercury Marine.