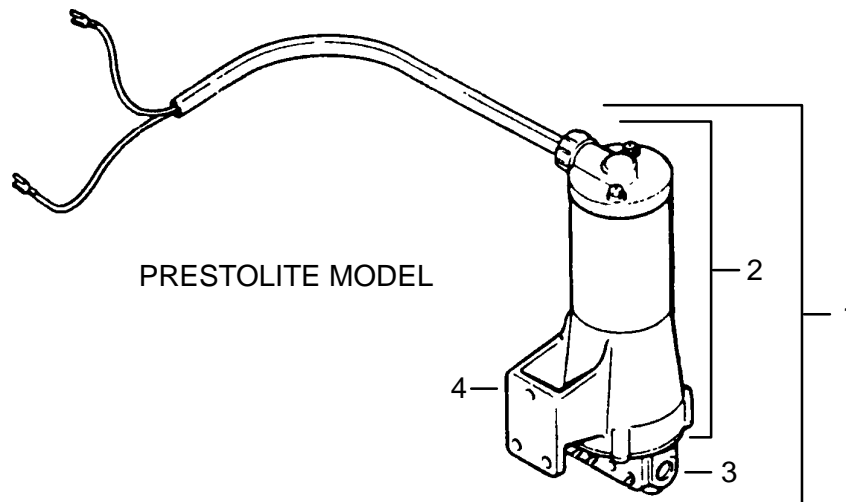


1. F694541-2 POWER TRIM & TILT PUMP/MOTOR ASSEMBLY
2. 820545 MOTOR & RESERVOIR ASSEMBLY
3. 820550 VALVE BODY & GEARCASE ASSEMBLY
4. F17625 RESERVOIR



MODEL

Chrysler Outboards (1971 Thru 1984) and Force Outboards (1984 Thru 1992) With Power Trim & Tilt

CHANGE

When existing stock of (F694541-2 Power Trim & Tilt Pump/Motor Assy) or (820545 Motor & Reservoir Assy) or (820550 Valve Body & Gearcase Assy) or (F17625 Reservoir) is depleted order your replacement kit below.

1. Verify Engine HP (3/4/5 Cylinder Engines)
2. Verify Number Of Hydraulic Lines (2 Cylinder Engines)

853515A1	70 Thru 150 HP	(Four Line Hydraulic System)
853672A1	35 Thru 50 HP	(Two Line Hydraulic System)
853673A1	35 Thru 50 HP	(Four Line Hydraulic System)