

## Error in Outboard Quickits Book (Dated Rev. 7/92)

### OUTBOARD QUICKITS BOOK

Page 17 and 18.

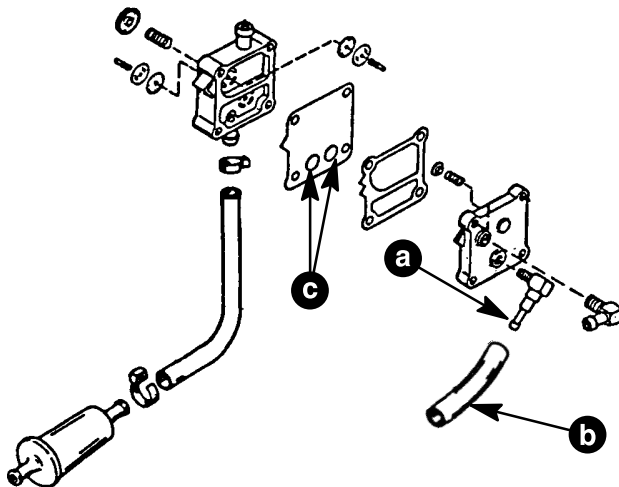
Mercury/Mariner 75/90 - 3 Cylinder  
100/115 - 4 Cylinder

### CHANGE

The models listed above had a change to the fuel pump. You must determine the correct fuel pump repair kit to use by noting the difference in the oil check valve.

### USE 42909A3 REPAIR KIT

If you have a 90° Oil Check Valve use 42909A3 Repair Kit.

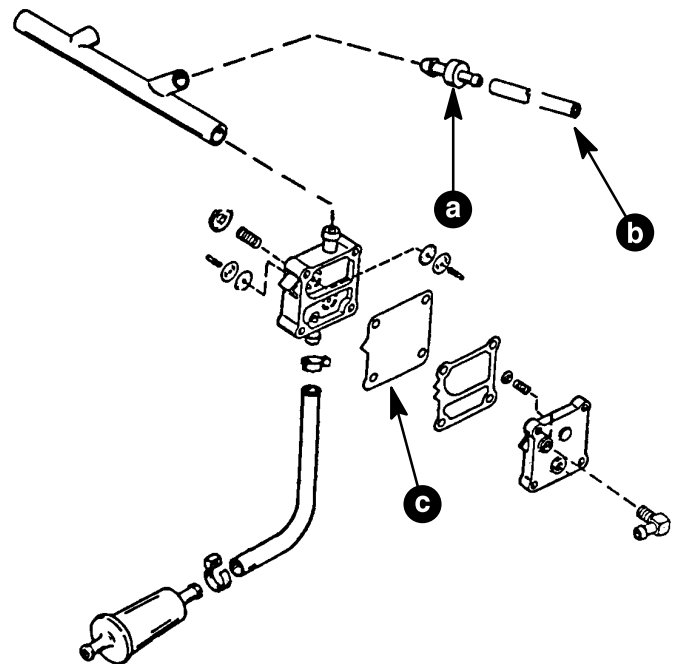


- a - 90° Oil Check Valve
- b - Oil Pump Hose
- c - Oil Mix Holes in Diaphragm

**Figure 1. Previous Fuel Pump**

### USE 21-42990A10 REPAIR KIT

If you have an In-line Oil Check Valve use 21-42990A10 Repair Kit.



- a - In-Line Oil Check Valve
- b - Oil Pump Hose
- c - Diaphragm without Oil Mix Holes

**Figure 2. Current Fuel Pump**