

TO: PARTS MANAGER
SERVICE MANAGER

No. 96-3

MCM/MIE D4.2L Intercooler

Models

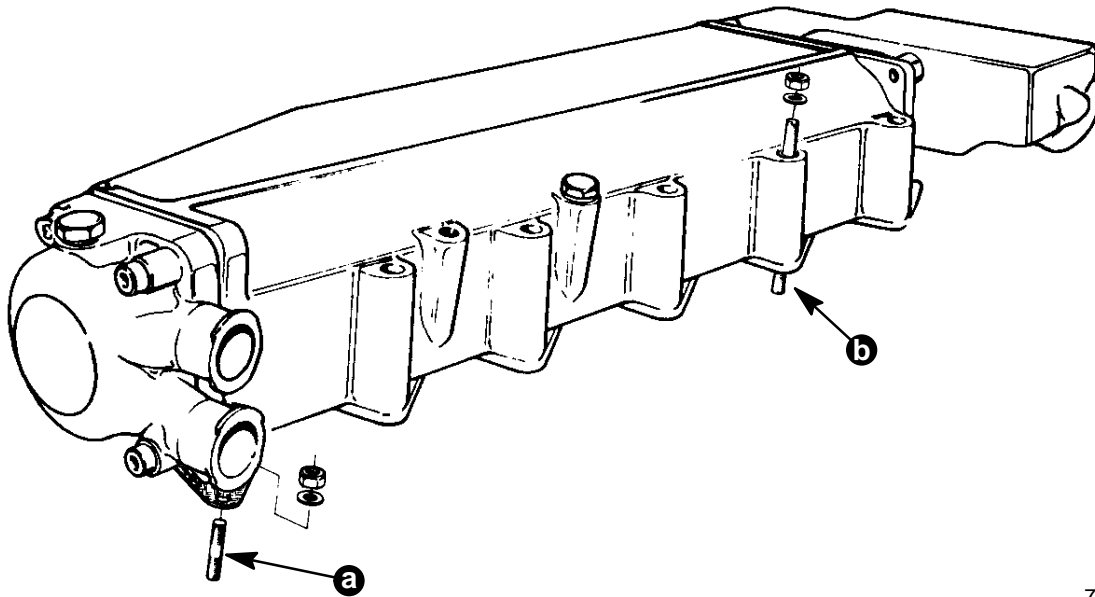
MCM/MIE D254, and D4.2L MerCruiser Diesel Engines

Replacement Intercoolers

If a replacement intercooler is required on the above model engines it should be noted that the new intercooler from Quicksilver Service Parts has a thicker, cast flange where it attaches to the exhaust/intake manifold. Therefore, the necessary studs have been included with the intercooler to adapt to an engine that previously had the old style intercooler. An instruction sheet is also included to show which studs will be affected with this change.

Kit Part Number

850417A 1



70904

- f - Short Stud (Qty. 7)
- g - Long Stud (Qty. 5)