

TO: PARTS MANAGER   
SERVICE MANAGER

92-1

## A. V6 262 CID (4.3L) PARTS INFORMATION

### Connecting Rod Bearings

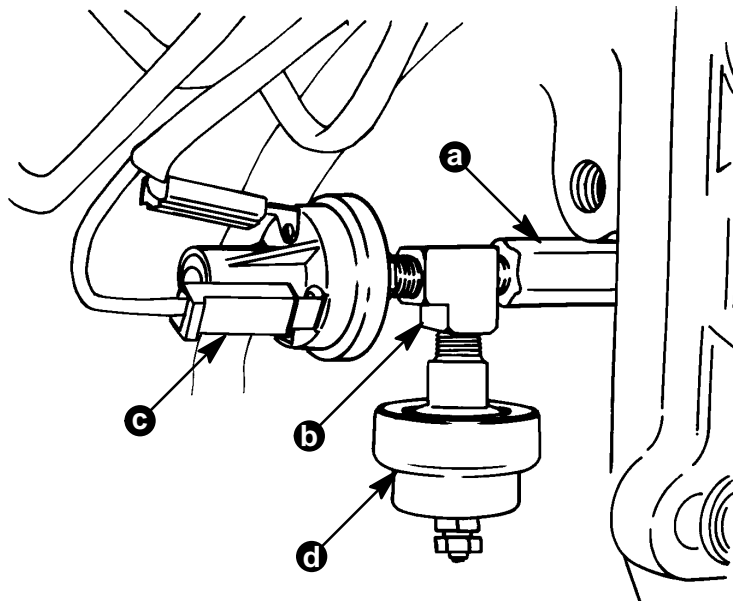
The current parts list shows only 2 size bearings; standard and .001 in. U.S. Two additional U.S. bearings are going to be stocked:

23-811858	.010 in.	U.S.
23-811859	.020 in.	U.S.

### Installing Audio Warning on V6 Gen. II Engines

Two additional parts have to be ordered when an Audio Warning Kit, P/N 86047A14, is installed on these engines. Use Quicksilver Perfect Seal on threads. **DO NOT** get sealant on inside of fittings because it can plug up the switches so they won't work.

22-28624	Tee Fitting
22-805059	Reducer Bushing



a - Reducer Bushing  
b - T-Fitting  
c - Fuel Pump Oil Pressure Switch  
d - Audio Warning Switch

71300

### MCM 4.3L/4.3LX Alpha One Gen II Closed Cooling Installation

When installing a Closed Cooling Kit, P/N 91036A5, on these engines, it is not necessary to install the belt drive Sea Water Pump Kit, P/N 46-72774A56 if the seawater temperature, that the boat will be operated in, does not exceed 80° F (26° C). The water pump in the Alpha One Gen. II stern drive supplies enough cooling water to cool the heat exchanger. This change does not apply to 5.0L/5.0LX/5.7L/350 Magnum Alpha One Gen. II engines or any V6 or V8 used on older Alpha One stern drives.