

TO: PARTS MANAGER
SERVICE MANAGER

No. 97-2

Revised April 1997

Drive Unit to Bell Housing Gasket Kits

Models

MCI / Alpha One / Alpha One Generation II

Explanation

Drive Unit to Bell Housing gasket kit part number 27-64818A3, which included the bell housing gasket for the MCI / 120 - 140 - 160 thru the MCI / 120 thru 260 as well as the bell housing gasket for the R - MR - Alpha One thru the Alpha One Generation II has been divided into two separate kits.

Kit Usage

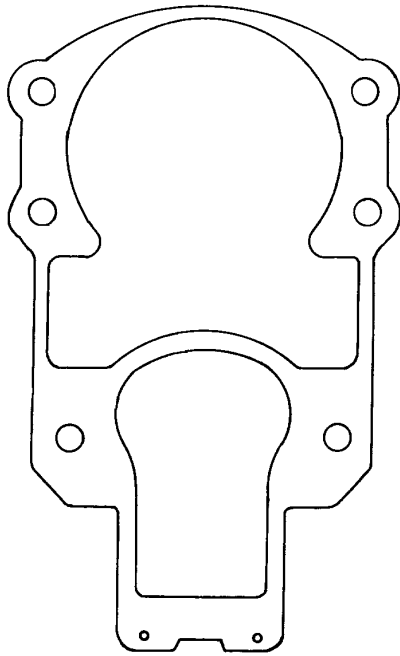
The 27-64818A3 kit was used on units from the MCI / 120 -140 - 160 thru the Alpha One Generation II when removing and replacing the Drive Unit for repair.

The kit consisted of two Bell Housing gaskets, one for the older MCI / 120 - 140 - 160 thru the MCI / 120 thru 260, and one for the MCI / R - MR - Alpha One as well as the Alpha One Generation II drive units with the oil reservoir. Also included in the appropriate kit:

- 1 - Rubber seal - Used inside the bell housing to seal the drive to the bell housing inside to keep the water out.
- 2 - O-rings - For the U-joint at the gimbal bearing surface for all units.
- 1 - O-ring - To seal the water passage.
- 1 - O-ring - For the Alpha One Generation II for the front O-ring groove in the U-joint assembly to seal just inside the engine coupler to help keep the spline grease in the coupler.

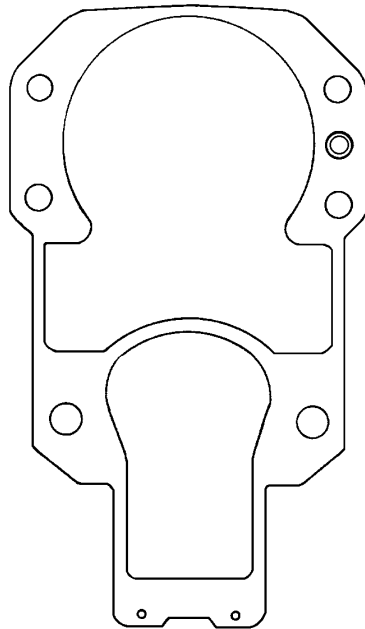
The new gasket kits will include the O-rings that are required for the series of drives it covers as well as the rubber seal.

(The following drawings show the difference between the two Bell Housing gaskets in the kits).



75570

27-64818A4



75571

27-94996A2

Kit Part Number Supersessions

Old Part Number New Part Number

27-64818A3 ————— 27-94996A2

Used on the **MCI / R - MR - Alpha One** thru **Alpha One Generation II** Drives

27-64818A1 ————— 27-64818A4

Used on the **MCI / 120 - 140 - 160** thru **MCI / 120 thru 260** Drives

Bulk Gasket Kit Part Numbers

Includes 20 kits per part number

27 - 94996B2

27 - 64818B